



US00D408167S

# United States Patent [19] Cloud

[11] Patent Number: Des. 408,167

[45] Date of Patent: \*\*Apr. 20, 1999

[54] PICTURE FRAME SNACK TRAY

[76] Inventor: James M Cloud, 2117 Elder Dr.,  
Wilmington, Del. 19808

[\*\*] Term: 14 Years

[21] Appl. No.: 29/070,819

[22] Filed: May 16, 1997

[51] LOC (6) CL ..... 06-03

[52] U.S. Cl. .... D6/397; D6/302; D6/329;  
D6/499

[58] Field of Search ..... 108/118, 119,  
108/120; D6/480, 487, 429, 300, 301, 302,  
397; 40/725, 727

[56] References Cited

U.S. PATENT DOCUMENTS

- D. 315,835 4/1991 Dahlquist ..... D6/302
- D. 368,390 4/1996 James et al. .... D6/429
- 3,106,295 10/1963 Berlin ..... 108/118

4,177,737 12/1979 Brickman ..... 108/11

Primary Examiner—Janice E. Seeger

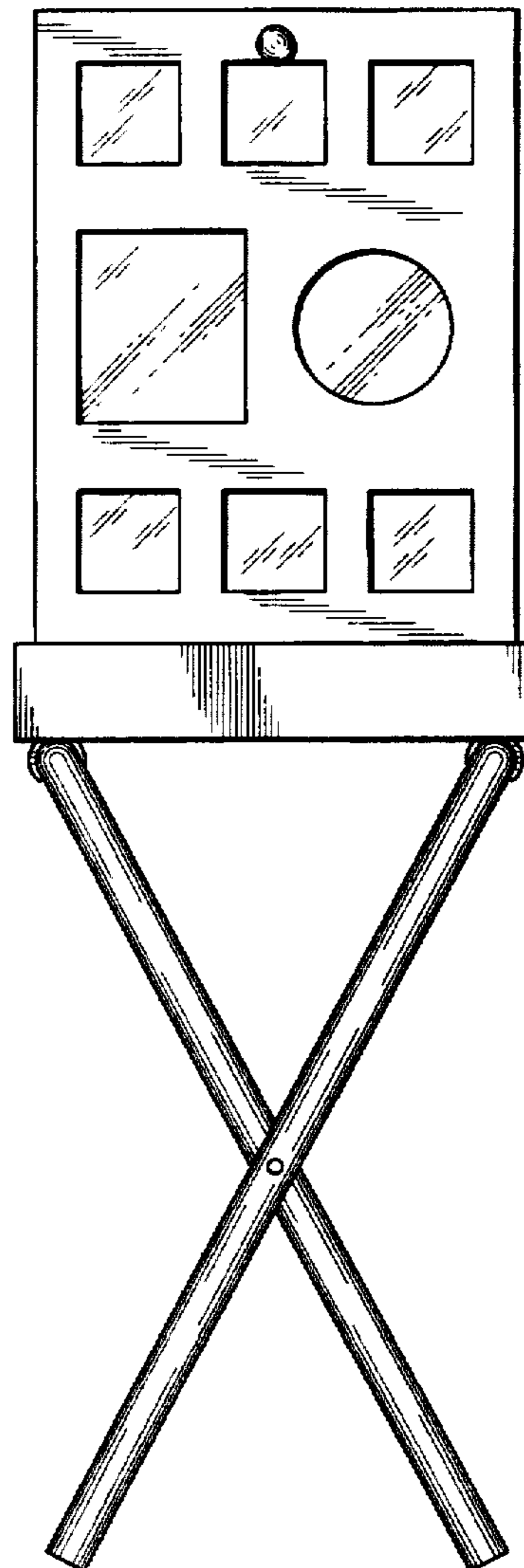
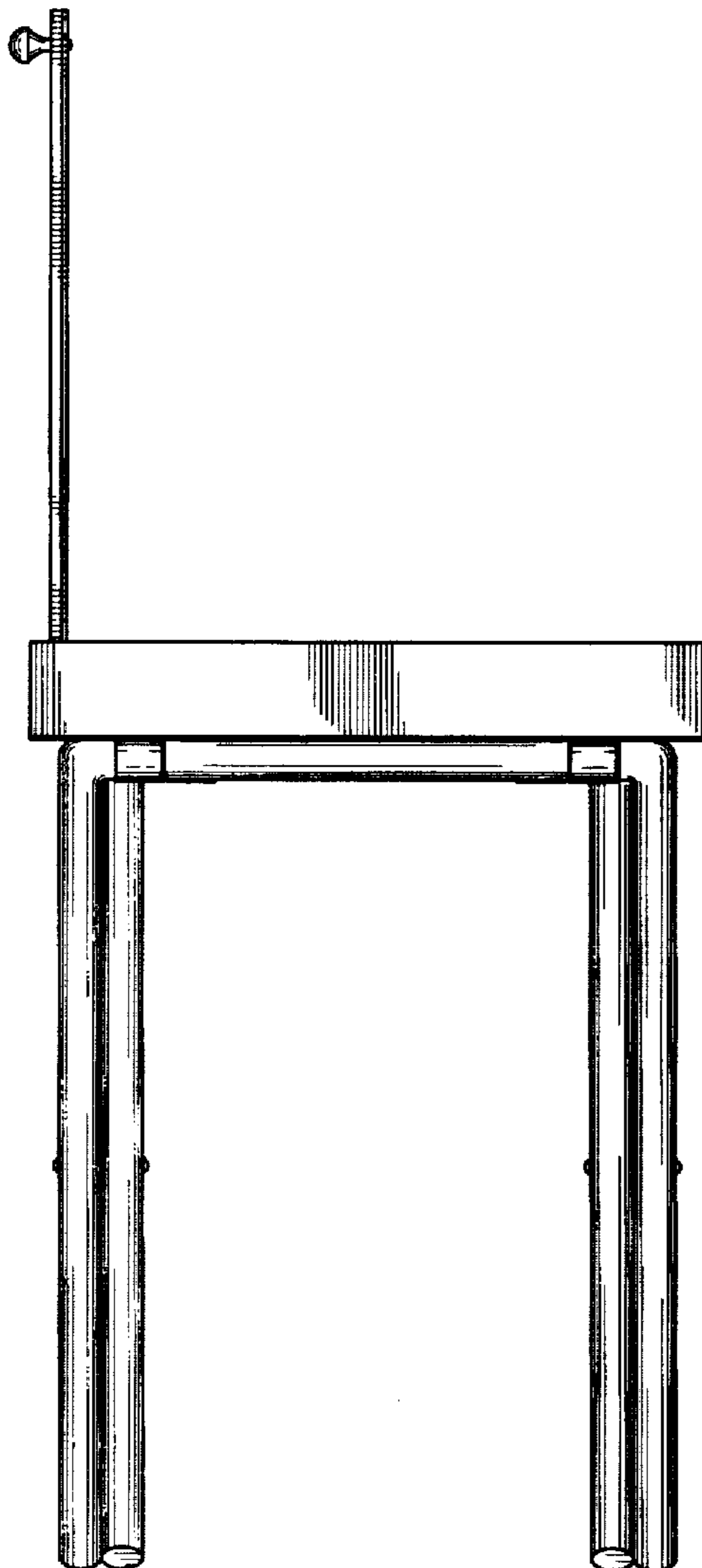
[57] CLAIM

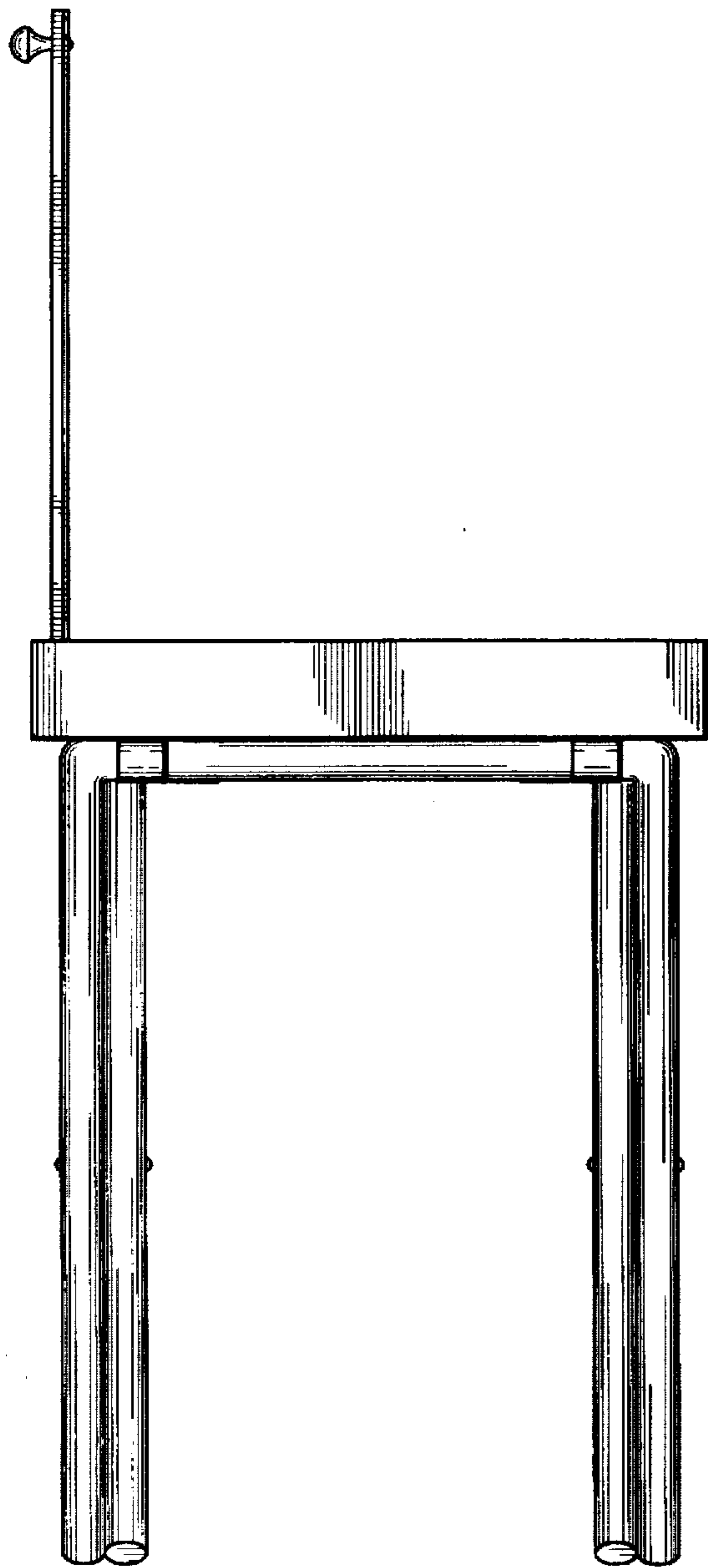
The ornamental design for a picture frame snack tray, as shown.

DESCRIPTION

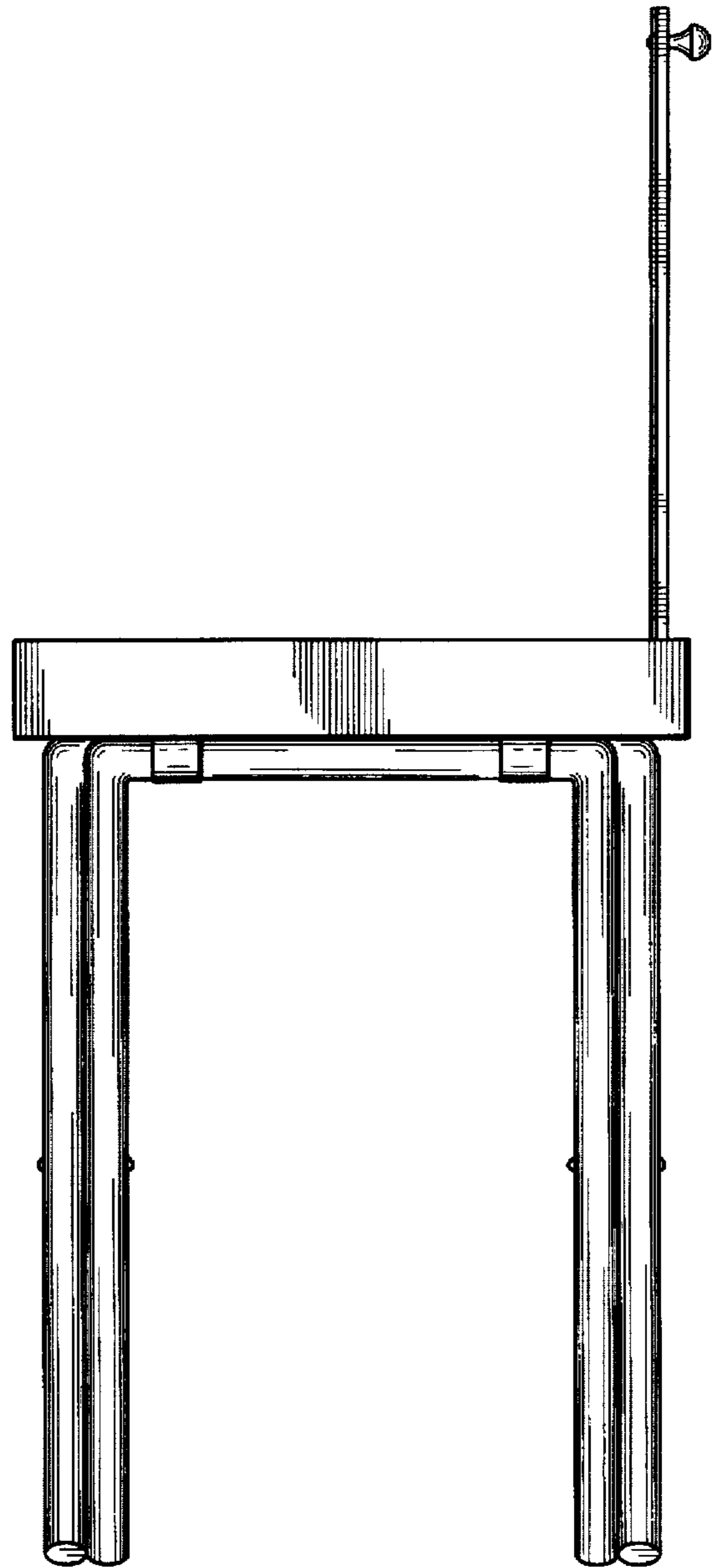
FIG. 1 is a front plan view of the picture frame snack tray of the present invention;  
 FIG. 2 is a back plan view of the picture frame snack tray of FIG. 1;  
 FIG. 3 is a left side plan view of the picture frame snack tray of FIG. 1;  
 FIG. 4 is a right side plan view of the picture frame snack tray of FIG. 1;  
 FIG. 5 is a top plan view of the picture frame snack tray of FIG. 1; and,  
 FIG. 6 is a bottom plan view of the picture frame snack tray of FIG. 1.

1 Claim, 3 Drawing Sheets





*Fig. 1*



*Fig. 2*

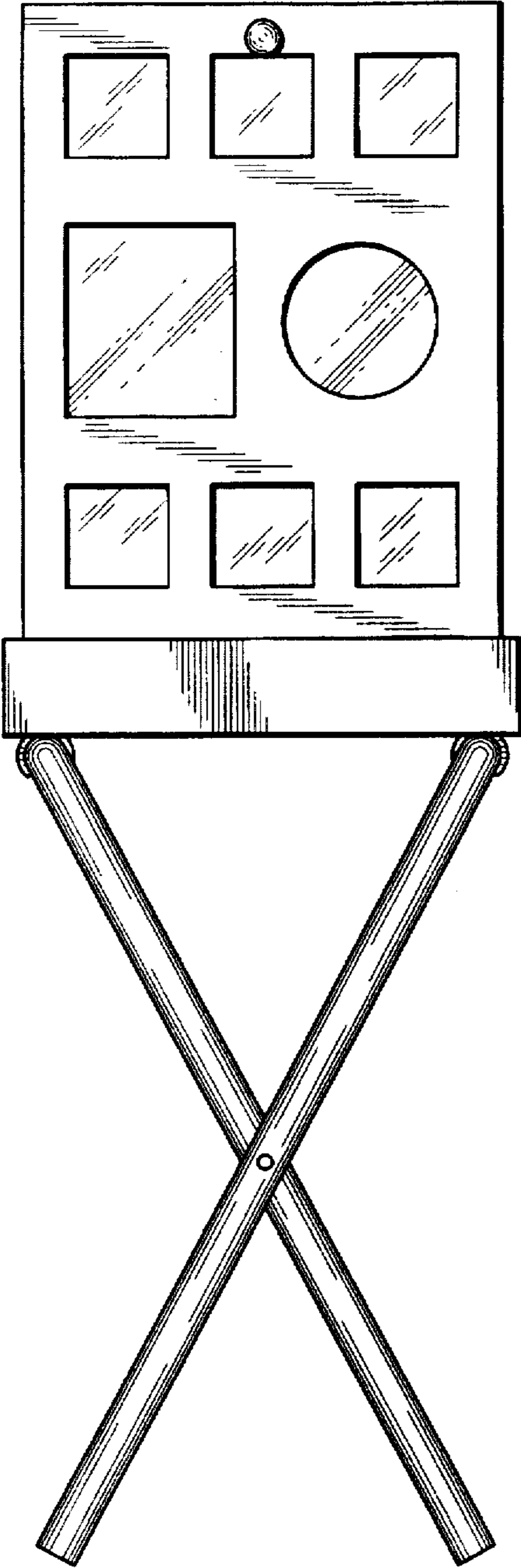


Fig. 3

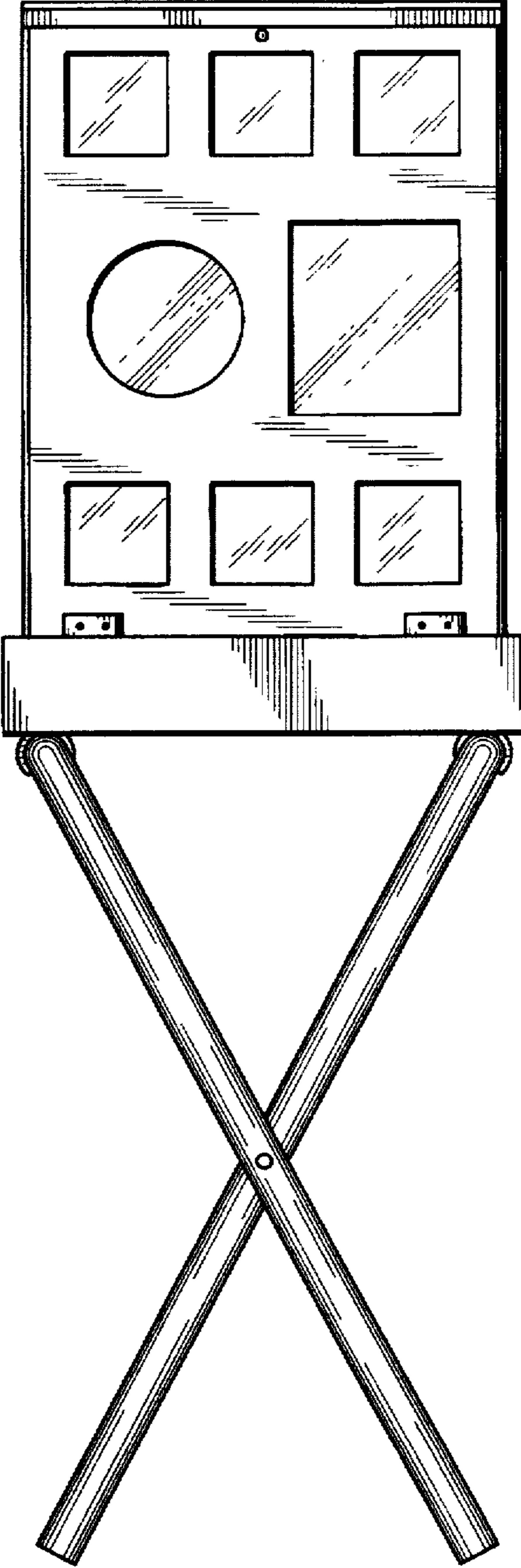
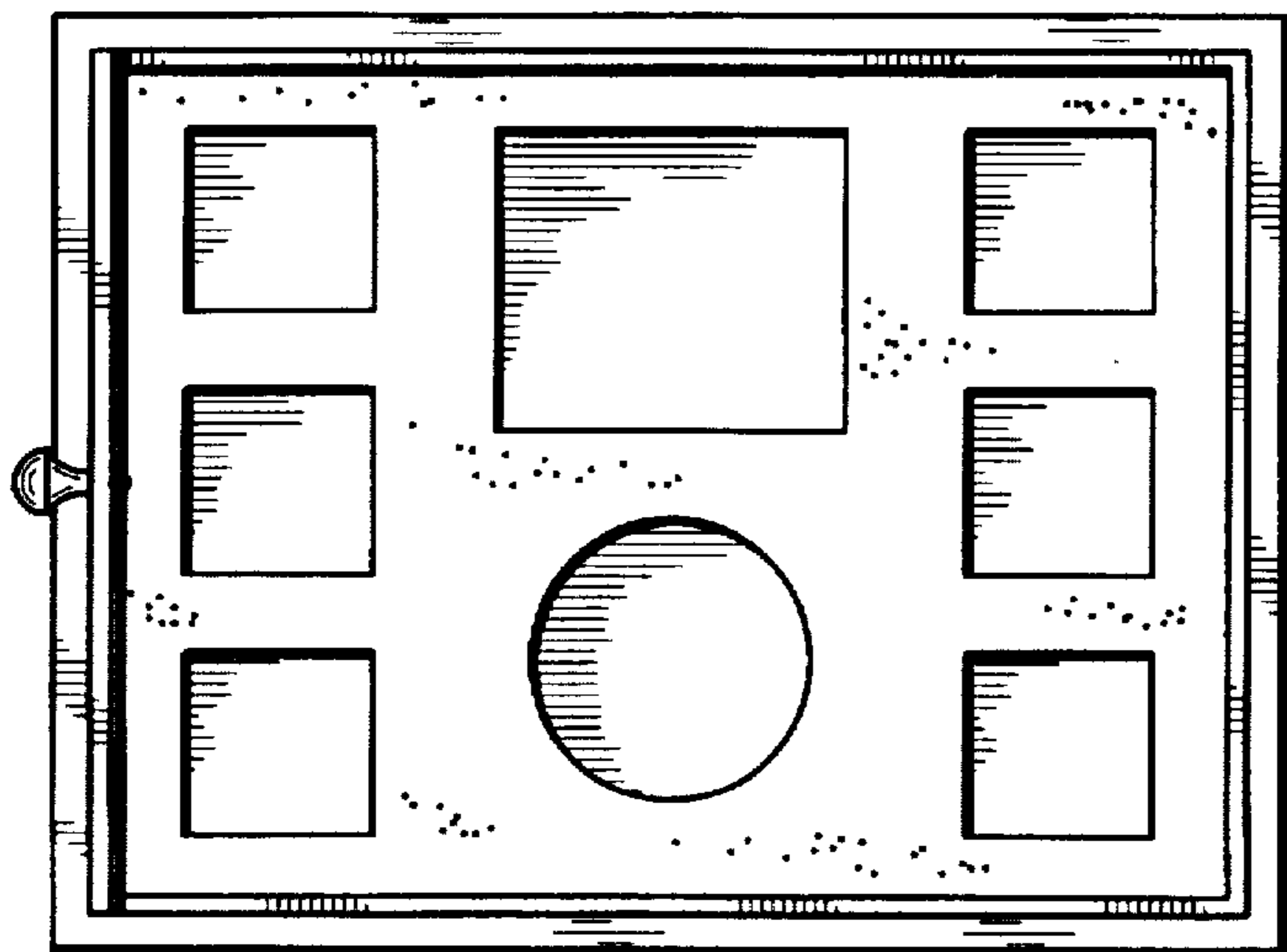
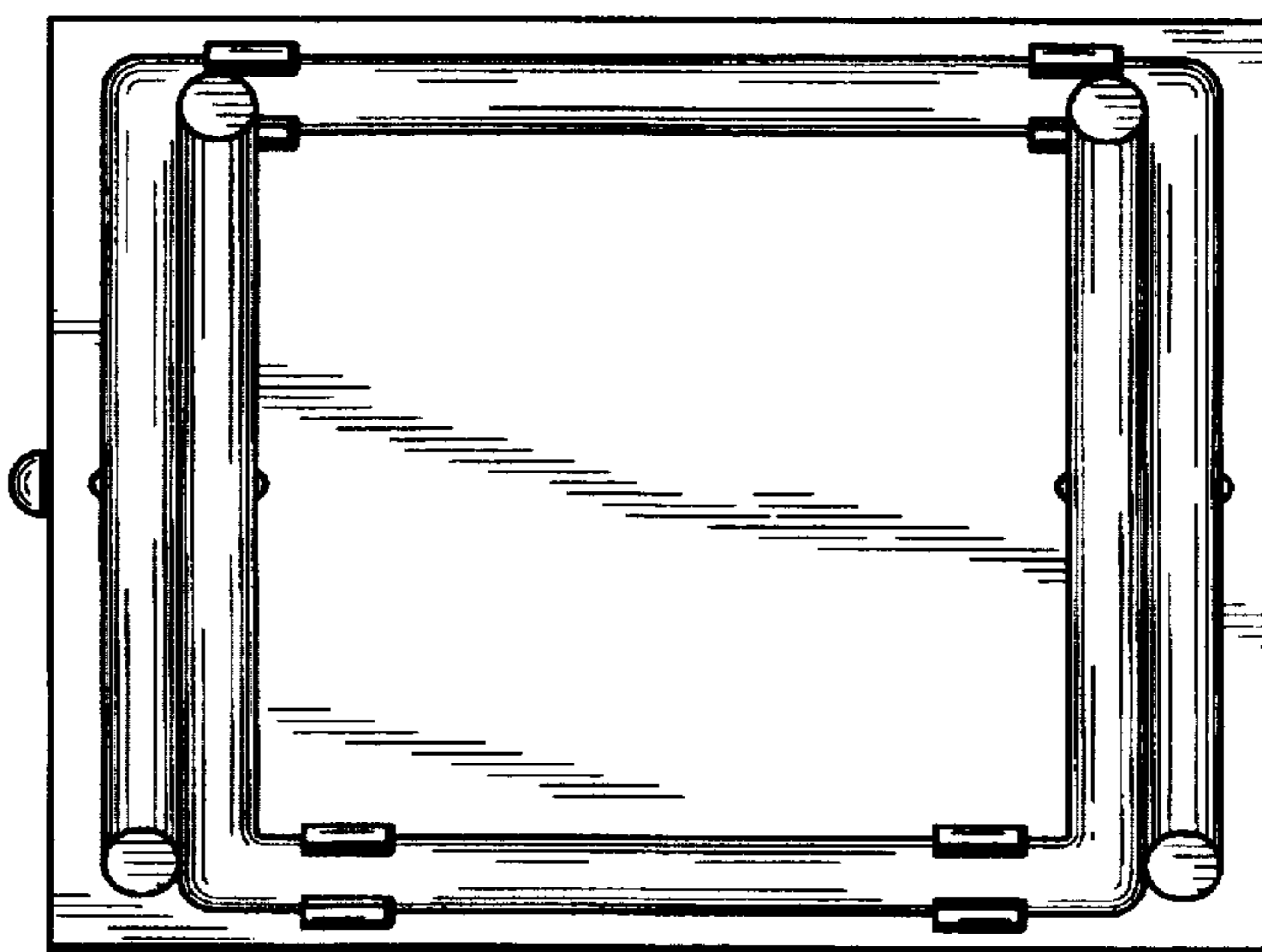


Fig. 4



*Fig. 5*



*Fig. 6*