



US00D408166S

**United States Patent** [19]  
**Bayless**

[11] **Patent Number:** **Des. 408,166**  
[45] **Date of Patent:** **\*\*Apr. 20, 1999**

[54] **COLLAPSIBLE HAMMOCK**  
[76] **Inventor:** **Lee Bayless, 27526 Wellsley Way, Valencia, Calif. 91354**  
[\*\*] **Term:** **14 Years**  
[21] **Appl. No.:** **29/085,637**  
[22] **Filed:** **Mar. 26, 1998**  
[51] **LOC (6) CL** ..... **06-01**  
[52] **U.S. Cl.** ..... **D6/387**  
[58] **Field of Search** ..... **D6/382, 386, 387, D6/392, 361; 5/627, 120-130, 174, 178-180, 110**

5,113,538 5/1992 Branch, III ..... 5/127  
5,297,302 3/1994 Anderson ..... 5/127

*Primary Examiner*—Janice E. Seeger  
*Attorney, Agent, or Firm*—James E. Brunton

[57] **CLAIM**

The ornamental design for a collapsible hammock, as shown and described.

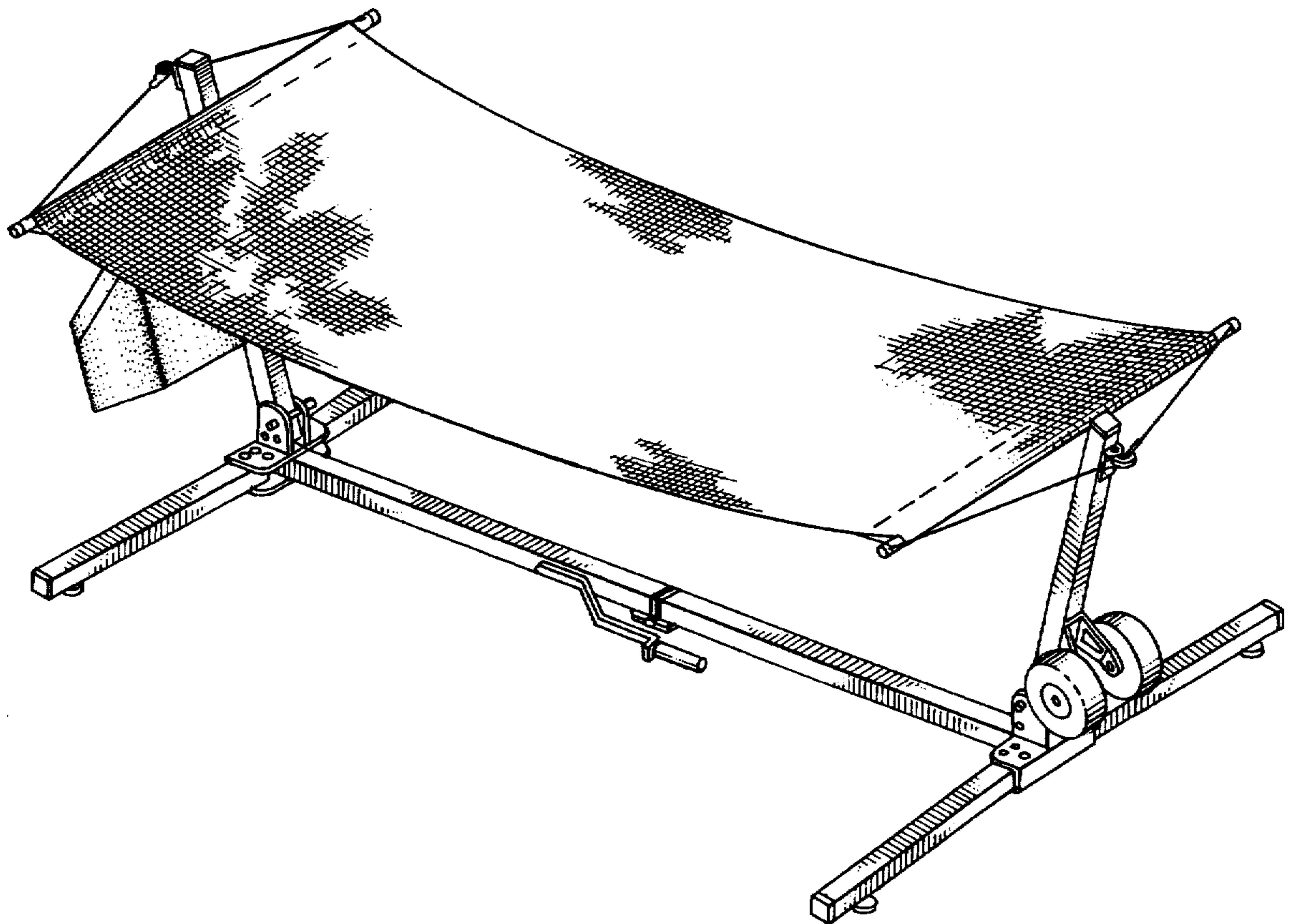
**DESCRIPTION**

FIG. 1 is a perspective view of a collapsible hammock showing my new design;  
FIG. 2 is a side-elevational view the opposite side being a mirror image thereof;  
FIG. 3 is a front view thereof;  
FIG. 4 is a rear view thereof;  
FIG. 5 is a top plan view thereof; and,  
FIG. 6 is a bottom plan view thereof.

[56] **References Cited**  
**U.S. PATENT DOCUMENTS**

D. 295,242 4/1988 Frick et al. .... D6/387  
5,003,652 4/1991 Bayless ..... 5/129

**1 Claim, 5 Drawing Sheets**



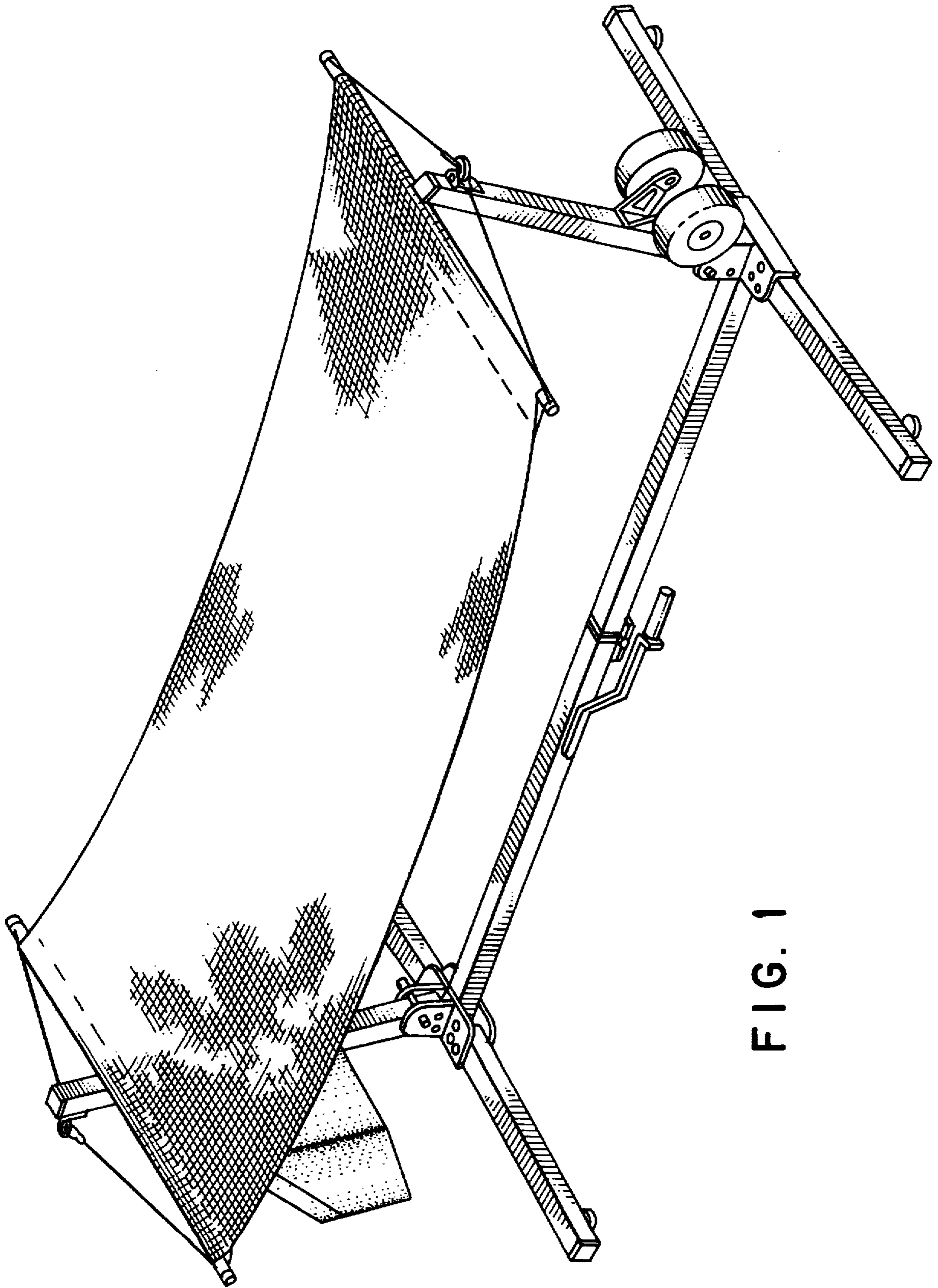


FIG. 1

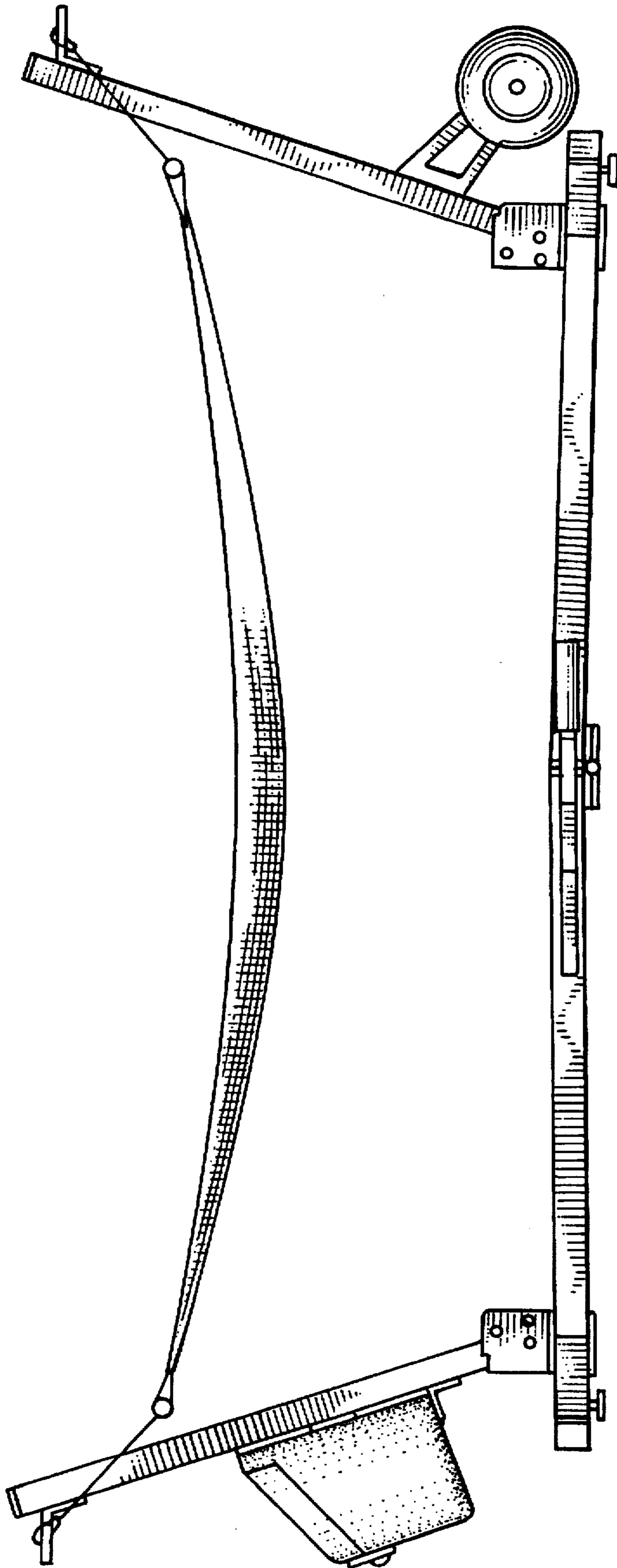
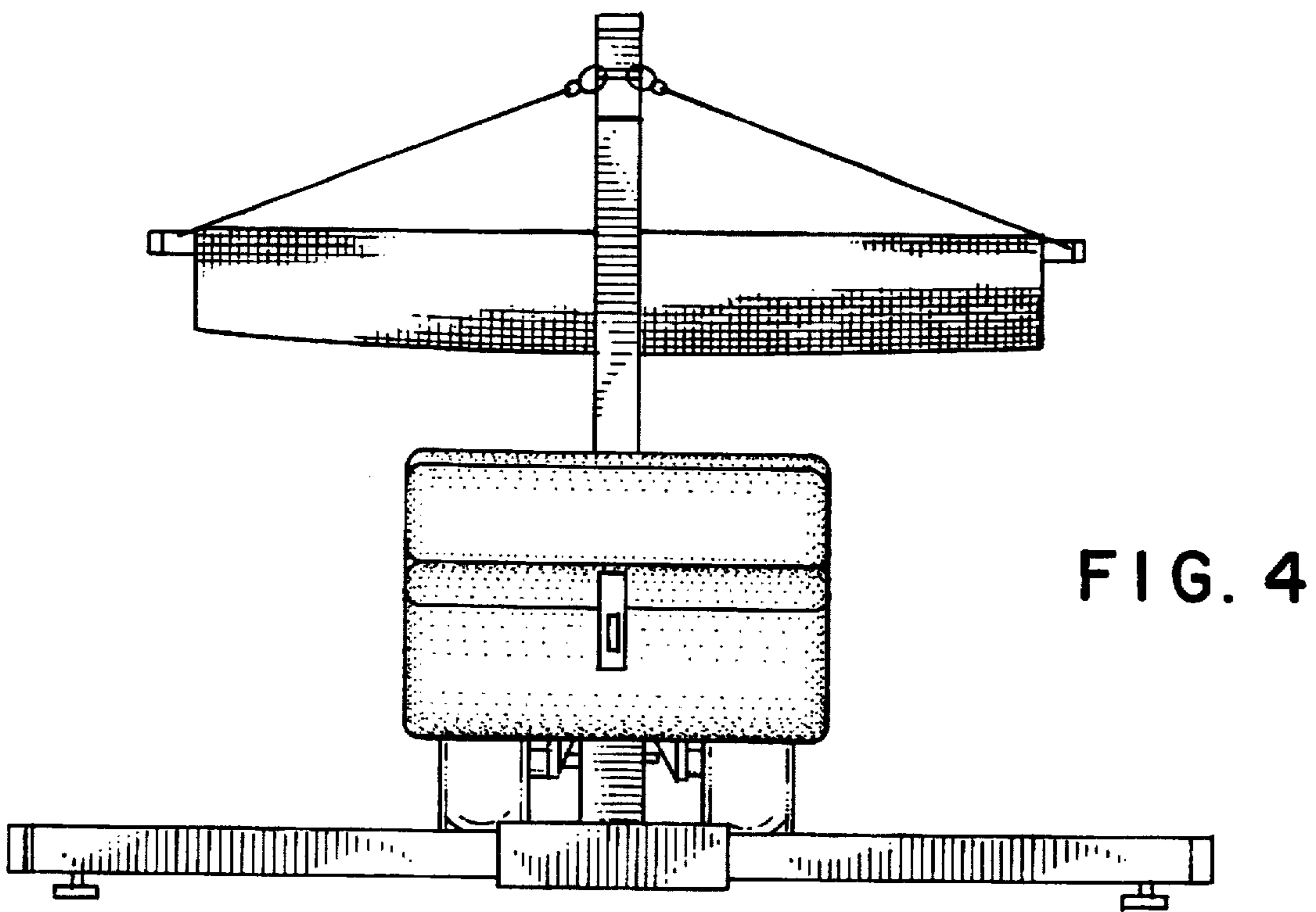
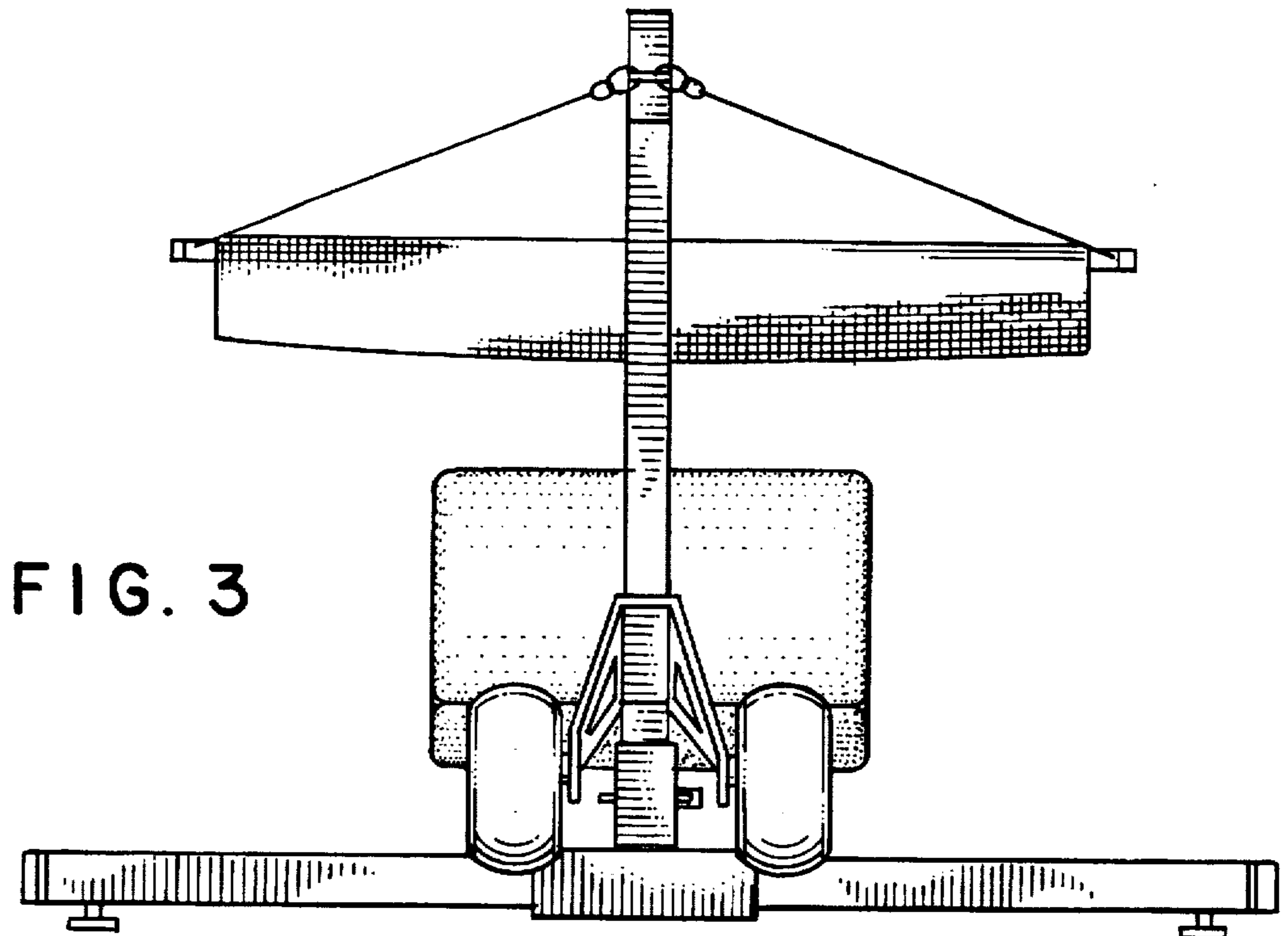


FIG. 2



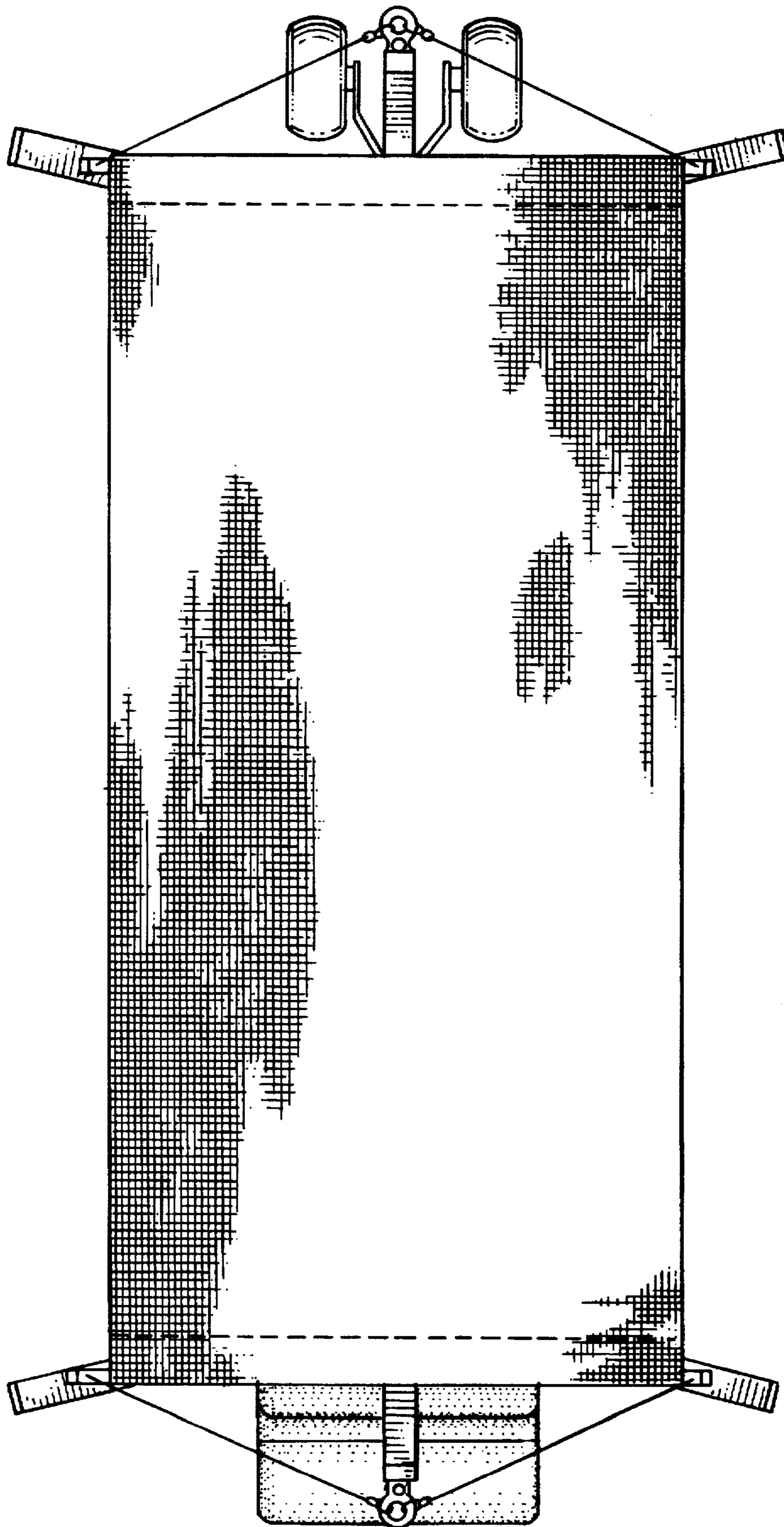


FIG. 5

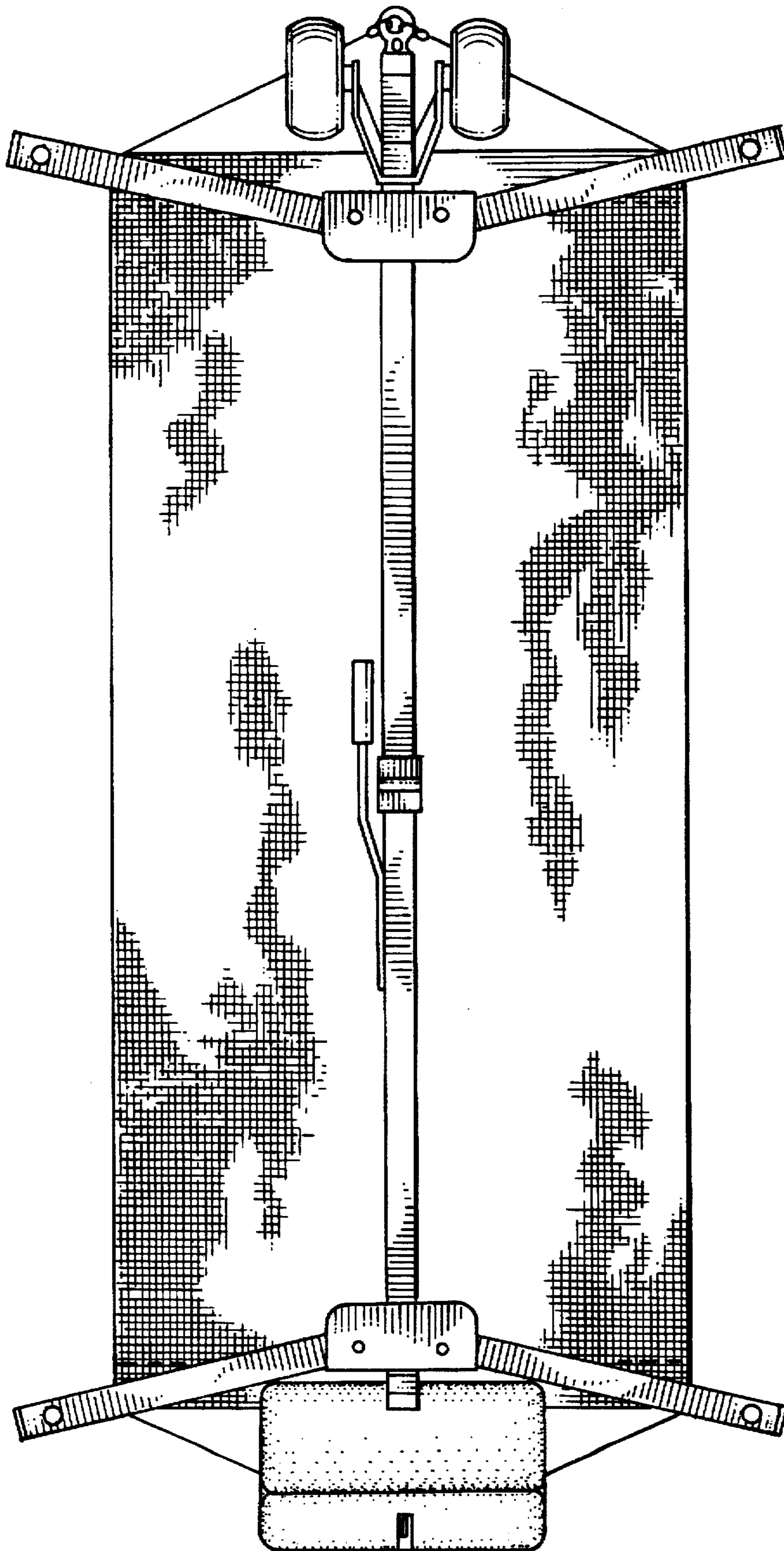


FIG. 6