



US00D408165S

# United States Patent [19]

**Kemnitzer**

[11] **Patent Number: Des. 408,165**

[45] **Date of Patent: \*\*Apr. 20, 1999**

[54] **CHAIR**

[75] **Inventor: Ronald B. Kemnitzer, Olathe, Kans.**

[73] **Assignee: Paoli, Inc., Orleans, Ind.**

[\*\*] **Term: 14 Years**

[21] **Appl. No.: 29/089,017**

[22] **Filed: Jun. 5, 1998**

[51] **LOC (6) Cl. .... 06-01**

[52] **U.S. Cl. .... D6/379; D6/374; D6/380**

[58] **Field of Search .... D6/334, 374, 379, D6/380, 500, 501, 502; 297/239, 445.1, 446.1**

[56] **References Cited**

**U.S. PATENT DOCUMENTS**

- D. 99,556 5/1936 Smith .
- D. 117,964 12/1939 Smith .
- D. 233,720 11/1974 Koepke .
- D. 238,321 1/1976 Lindau et al. .
- D. 258,706 3/1981 Lübke .
- D. 262,167 12/1981 Steinberger .
- D. 274,392 6/1984 Blodee .
- D. 308,143 5/1990 Lohmeyer .
- D. 321,617 11/1991 Kemnitzer .
- D. 355,081 2/1995 Scheper ..... D6/380
- D. 355,308 2/1995 Marini ..... D6/374 X
- D. 361,675 8/1995 Ruy ..... D6/379
- D. 390,030 2/1998 Meijer ..... D6/379
- D. 391,778 3/1998 Cretcher ..... D6/379
- D. 393,161 4/1998 Dammerman et al. .... D6/501
- D. 400,023 10/1998 Olson ..... D6/379
- 4,471,995 9/1984 Wisniewski ..... 297/411.2
- 4,595,235 6/1986 Leib ..... 297/411.2

**OTHER PUBLICATIONS**

- 1983 Steelcase Brochure, The Snodgrass Collection, p. 14.
- Interiors, Jan. 1984, p. 96, Images of America, Inc. Chair.
- Domus, Jan. 1984, p. BBB, Item 36, Headboard.
- Interiors, May 1984, p. 33, Chairs at lower left.
- Interiors, May 1984, p. 34, top left Chair Arm.
- Interiors, Mar. 1985, p. 145.

- Versa Seating Stack Chairs, Krueger, Jun. 1985.
- Ikea Catalog, Aug. 1986, p. 98, QAS72, Funktion Conference Chair.
- Kreuger Contract Division brochure, Received Sep. 11, 1986, Versa Seating.
- Gunlocke Bulletin C-190 Arm Chair, 1987, 8615CA and 8617CA.
- Kineticcurrents, vol. 2, No. 1, Spring Issue 1987, p. 3.
- Designer West, Neocon 20 Preview, May 1988, p. 71, Item 460.
- Lexis, A Neocon Twenty Introduction—Thonet, A Division of Shelby Williams Industries, Inc., 1988.
- Staxis by Amotec/Lusa #ST2—Dr. Achille Baruffoldi believed to be published during Spring—Summer 1988.
- Bola™ Brochure, Ron Kemnitzer Chair, Available Jan. 1989, Date of Brochure Nov. 1988.
- Madison Furniture Industries, Metal A17/C92 Flux Series, A17B06, A18B06. undated.

(List continued on next page.)

*Primary Examiner*—Gary D. Watson  
*Attorney, Agent, or Firm*—Saidman DesignLaw Group

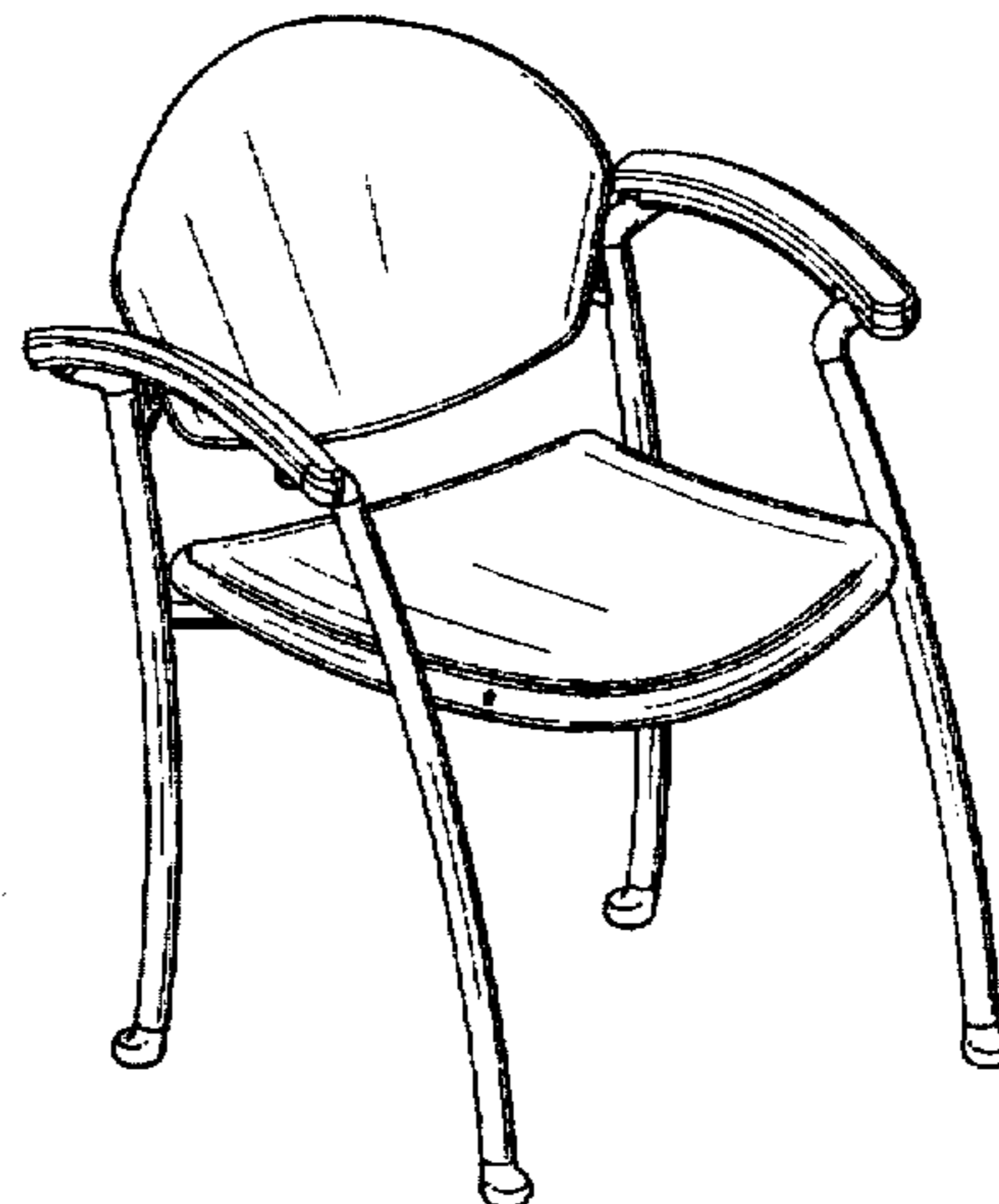
[57] **CLAIM**

The ornamental design for a chair, as shown and described.

**DESCRIPTION**

FIG. 1 is a perspective view of a chair showing my new design;  
 FIG. 2 is a front view thereof;  
 FIG. 3 is a rear view thereof;  
 FIG. 4 is a top view thereof;  
 FIG. 5 is a bottom view thereof; and,  
 FIG. 6 is a right side view thereof, the left side being a mirror image.  
 FIGS. 2 through 6 have been shown on an enlarged scale with respect to FIG. 1.  
 The lines drawn on the seat, back, frame and arms of FIGS. 1-6 are shade lines and not decoration; the claimed design is for a product configuration only; surface decoration does not form part of the claimed design.

**1 Claim, 6 Drawing Sheets**



OTHER PUBLICATIONS

Brayton International Collection—nikki; casala/oswald j. beck. undated.

Corbusier Chairs. undated.

Fixtures Furniture, Aug. 1991, Bola™Chair.

Office Speciality, Geni Options, Geni tables and chairs, 1994.

Fixtures Furniture®—A Jami Company 1996 List Price Workbook, bola stack-gang chairs.

Fixtures Furniture®—A Jami Company Apr. 1997 Price Book, Bola chairs, p. 12.

Bent Wood and Metal Furniture 1850–1946, Edited by Derek E. Ostergard, The University of Washington Press, Rocking chair.

Brayton International, Guest Seating, No. 34071, designed by Joseph Lluscá, p. 65. undated.

Event seating, designed by Sumner Adams, p. 127. undated.

Haworth Improv Series, p. 37. undated.

Ikea catalog, Funktion Conference Chair, designed by Tomos Jelinek. undated.

Tonga Arm Chair. undated.

Versteel Companion Chair™. undated.

FIG. 1

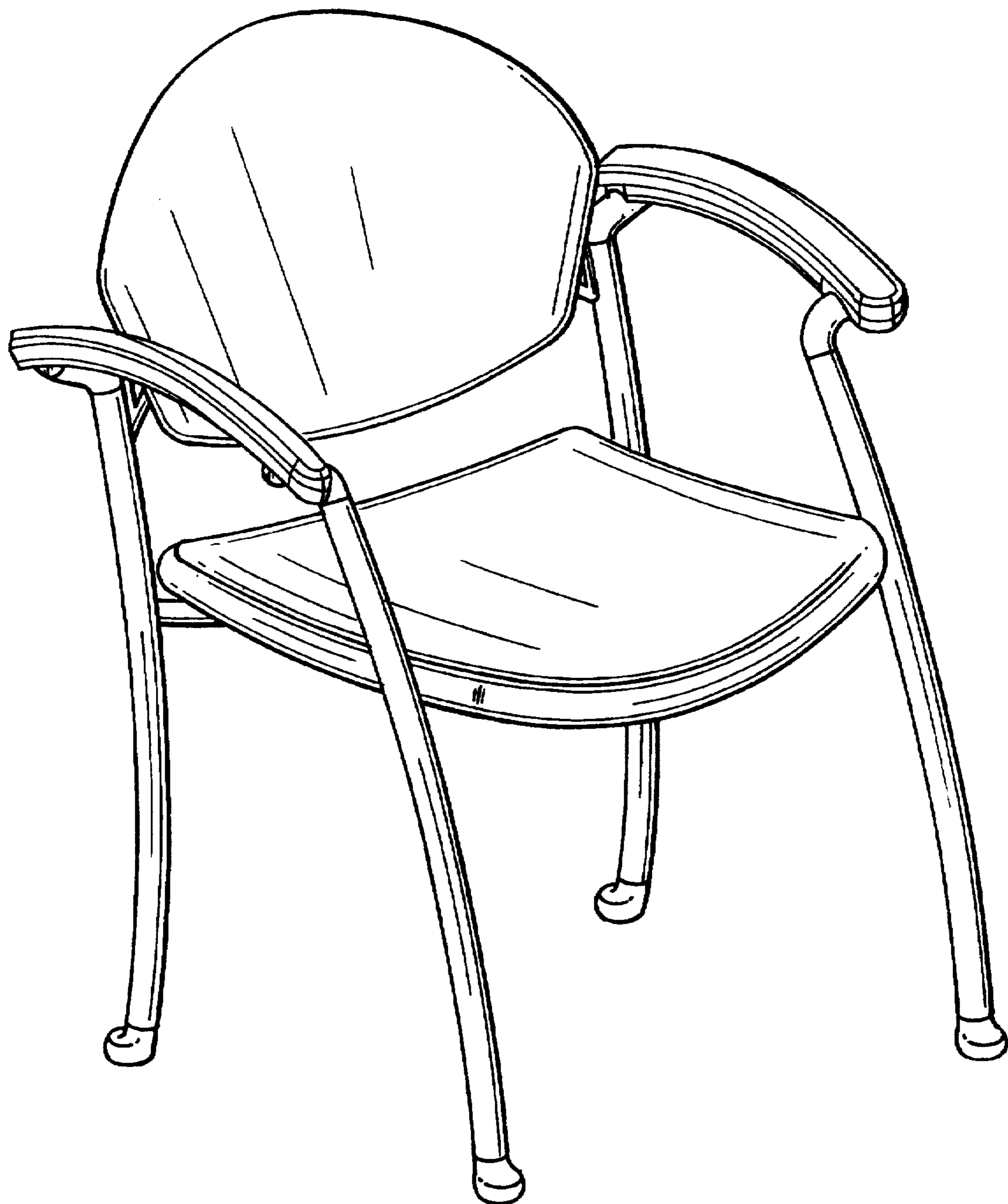


FIG. 2

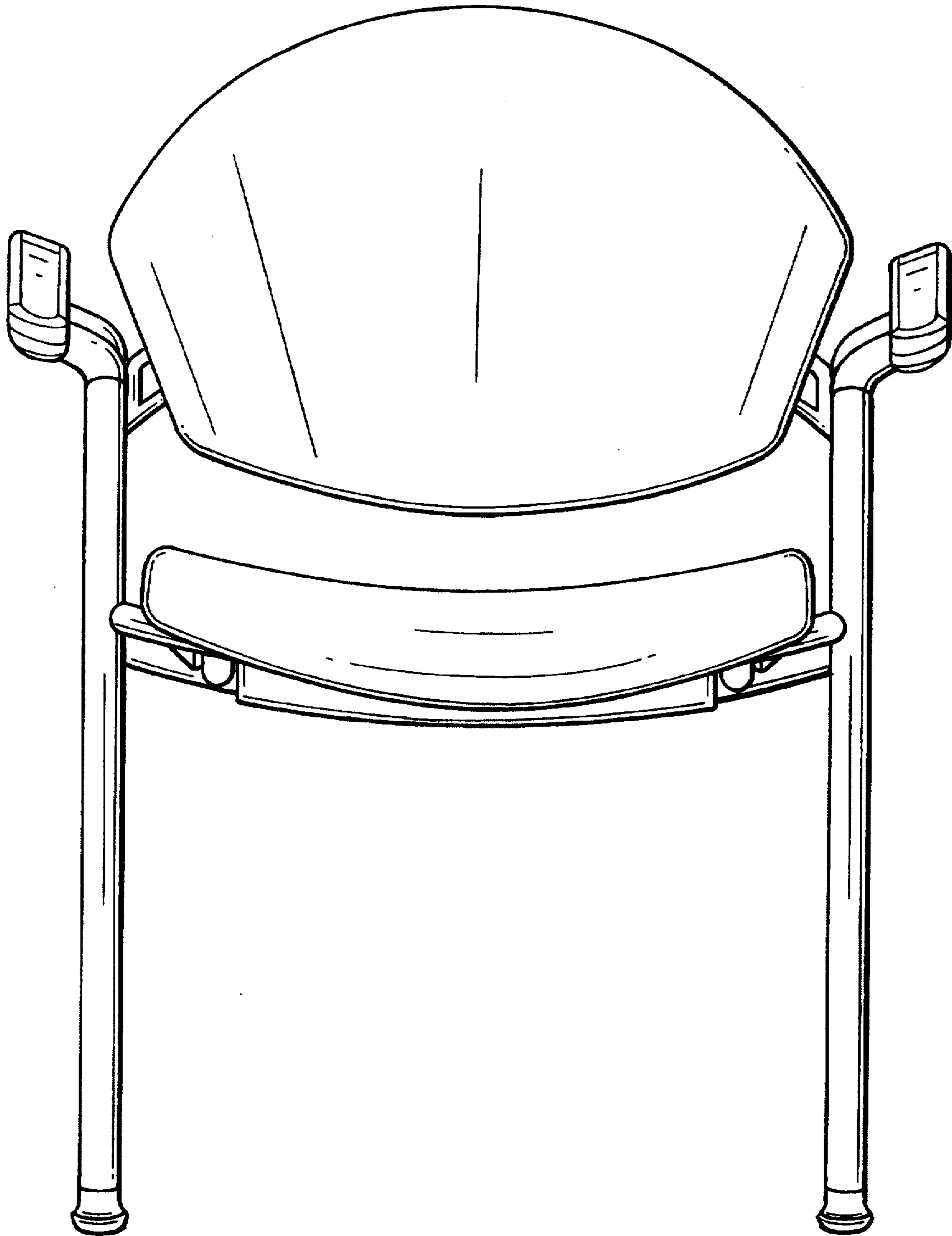


FIG. 3

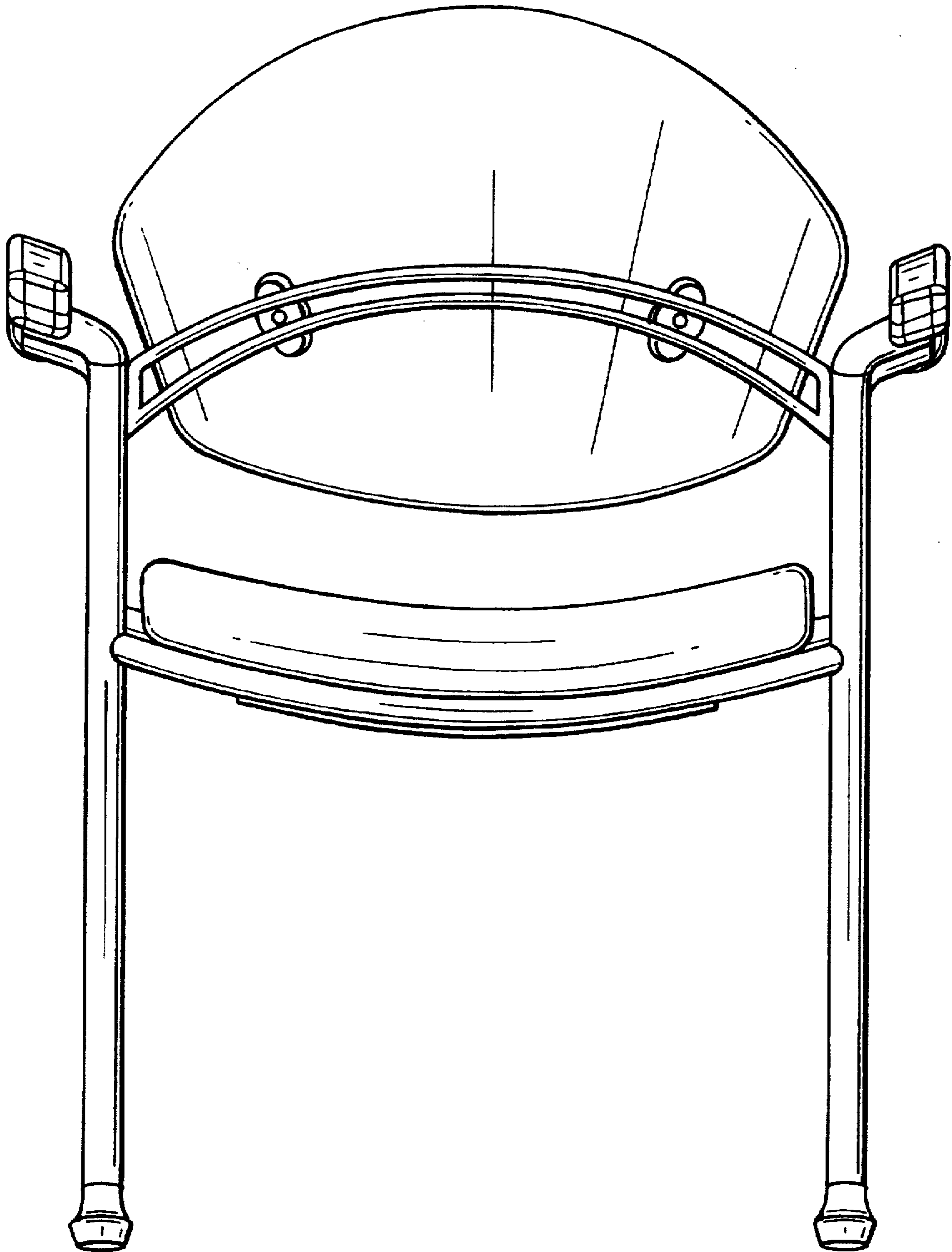


FIG. 4

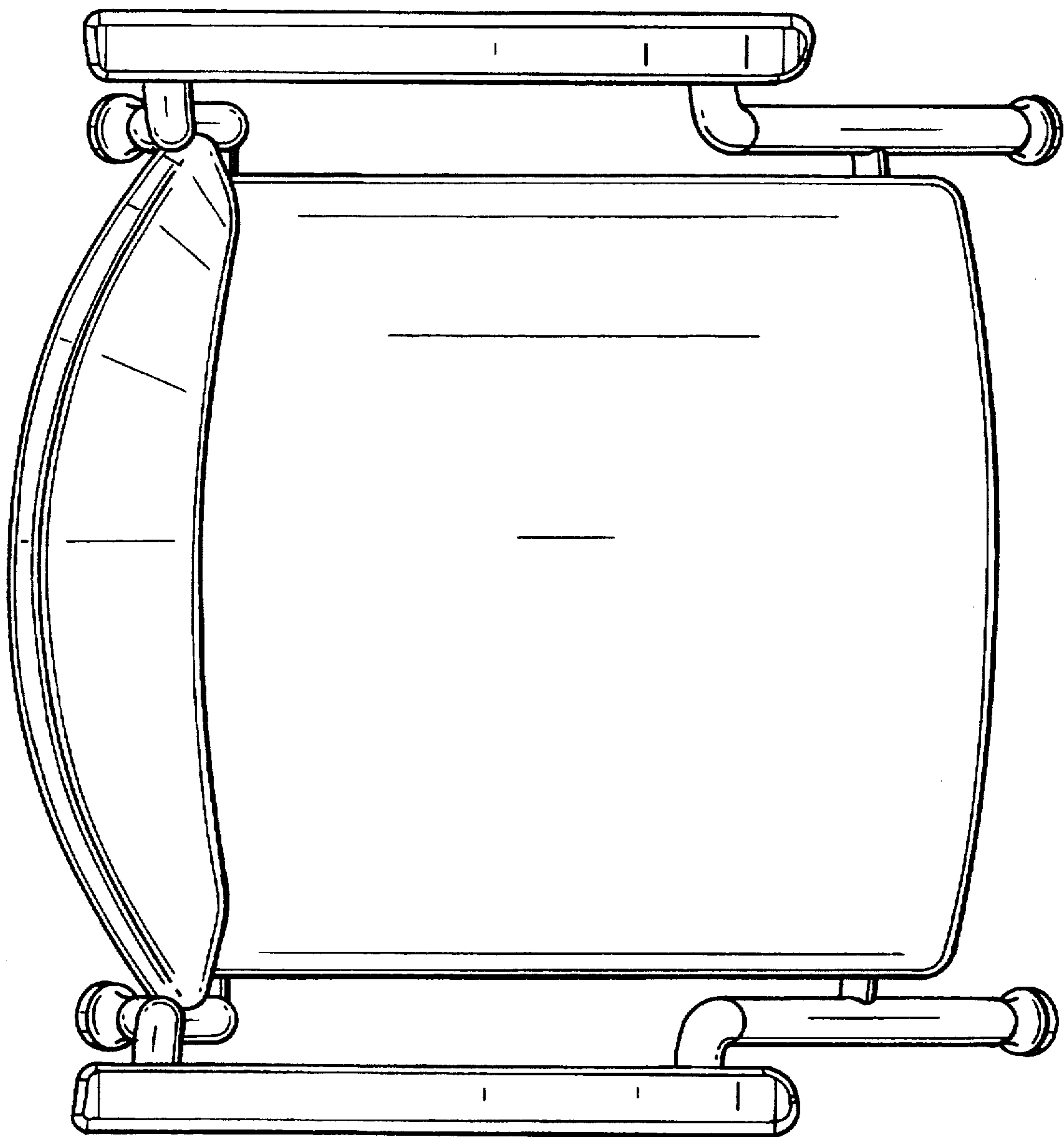


FIG. 5

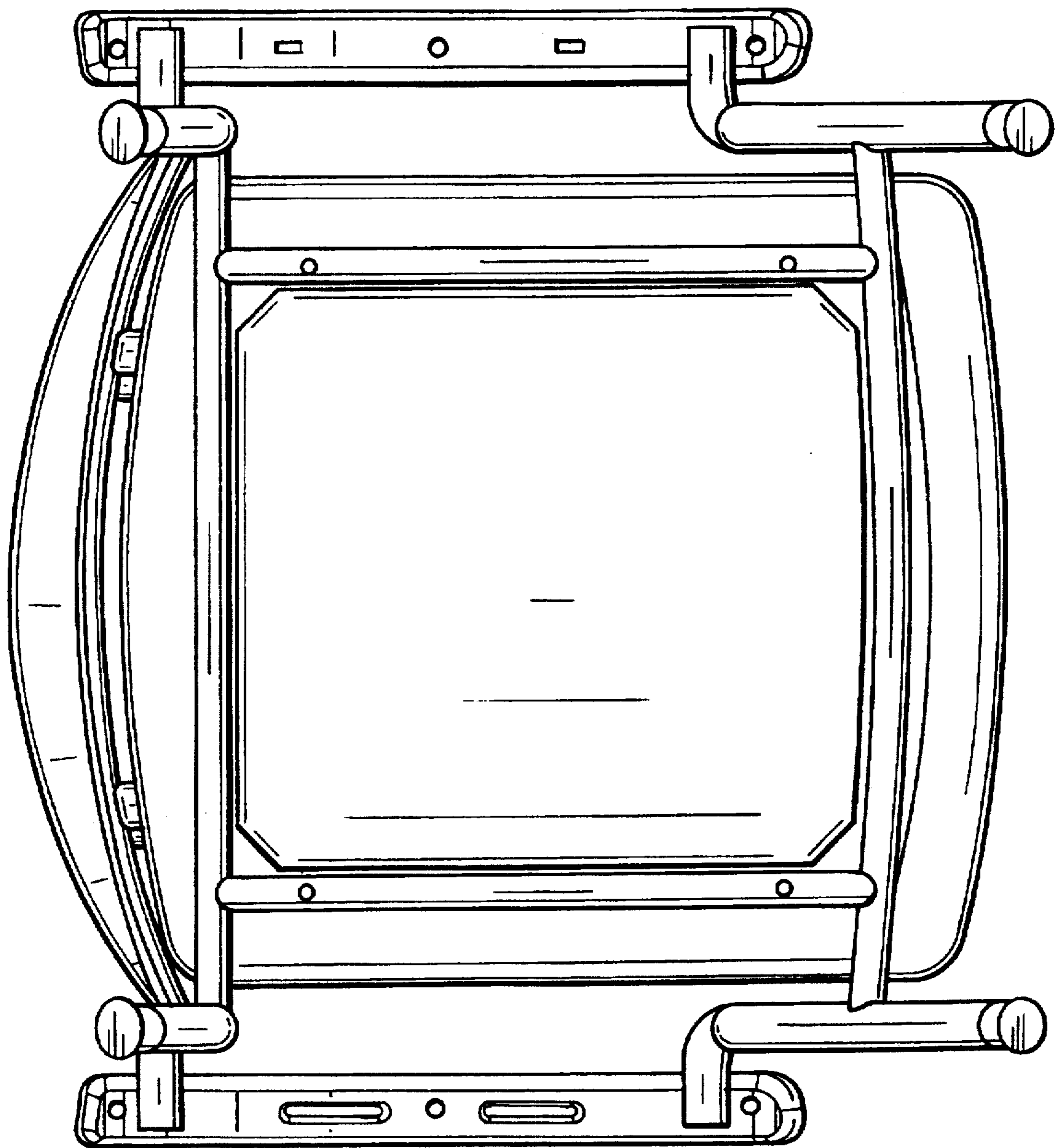


FIG. 6

