



US00D408161S

United States Patent [19]
Caruso

[11] **Patent Number: Des. 408,161**
[45] **Date of Patent: ** Apr. 20, 1999**

[54] **CHAIR**
[75] **Inventor: Jerome C. Caruso, Lake Forest, Ill.**
[73] **Assignee: Herman Miller, Inc., Zeeland, Mich.**
[**] **Term: 14 Years**
[21] **Appl. No.: 29/082,364**
[22] **Filed: Jan. 21, 1998**
[51] **LOC (6) Cl. 06-01**
[52] **U.S. Cl. D6/366**
[58] **Field of Search D6/334, 364, 365,**
D6/366, 367, 379, 500, 501, 502; 297/411.2,
411.25, 411.29

D. 276,575 12/1984 Helmholdt D6/366
D. 277,143 1/1985 Helmholdt D6/366
D. 311,287 10/1990 Behringer D6/366
D. 346,279 4/1994 Stumpf et al. D6/366
D. 351,078 10/1994 Livieratos D6/502
D. 393,765 4/1998 Chu D6/501

Primary Examiner—Gary D. Watson
Attorney, Agent, or Firm—Brinks Hofer Gilson & Lione

[57] **CLAIM**

The ornamental design for a chair, as shown and described.

DESCRIPTION

FIG. 1 is a perspective view of a chair;
FIG. 2 is a front view thereof;
FIG. 3 is a right side view thereof;
FIG. 4 is a left side view thereof;
FIG. 5 is a rear view thereof;
FIG. 6 is a top view thereof; and,
FIG. 7 is a bottom view thereof.

[56] **References Cited**
U.S. PATENT DOCUMENTS
D. 267,990 2/1983 Buhk et al. D6/366
D. 272,204 1/1984 DeBoer D6/366
D. 273,730 5/1984 Cafiero D6/366

1 Claim, 4 Drawing Sheets



FIG. 1



FIG. 3

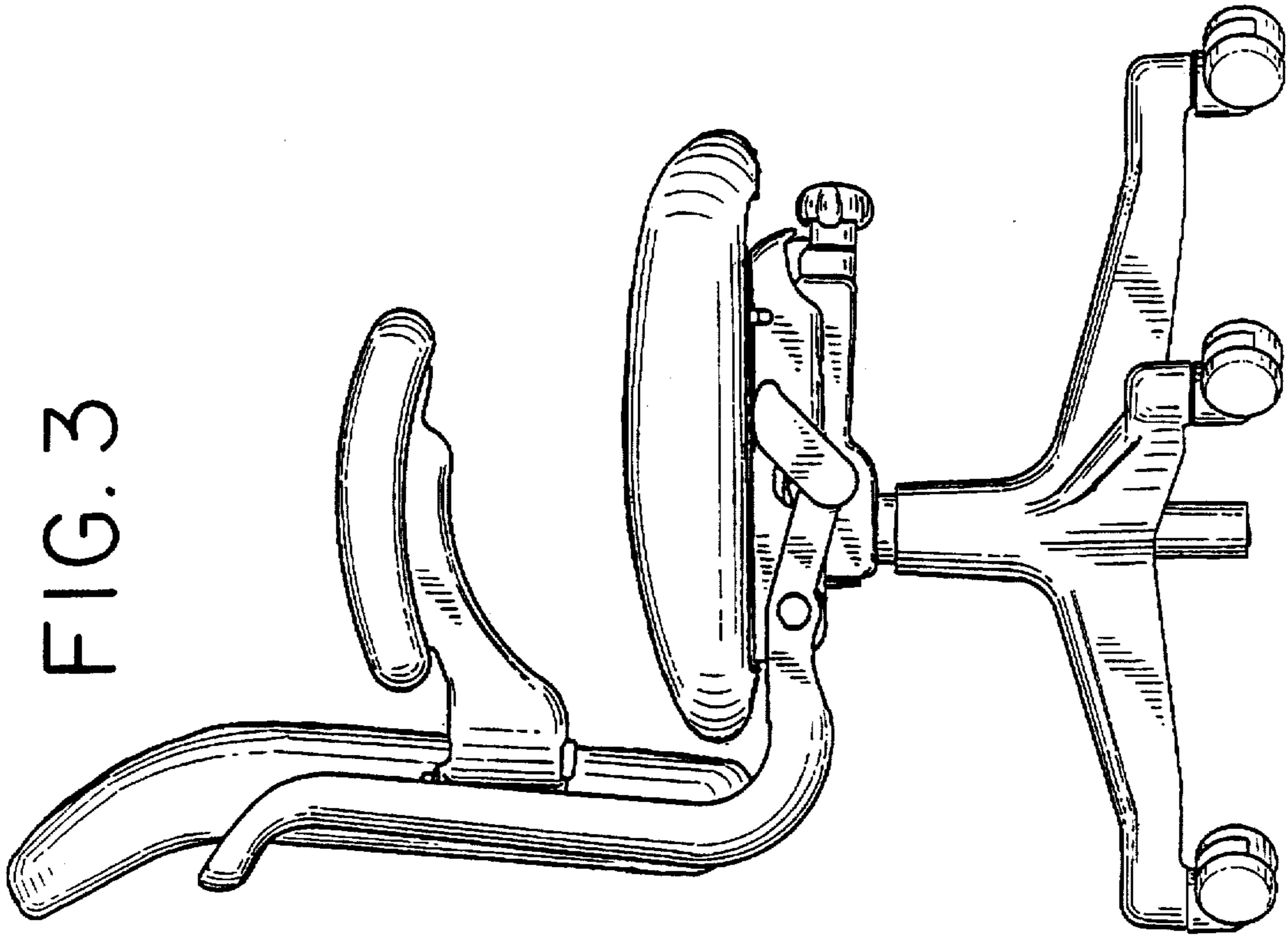


FIG. 2

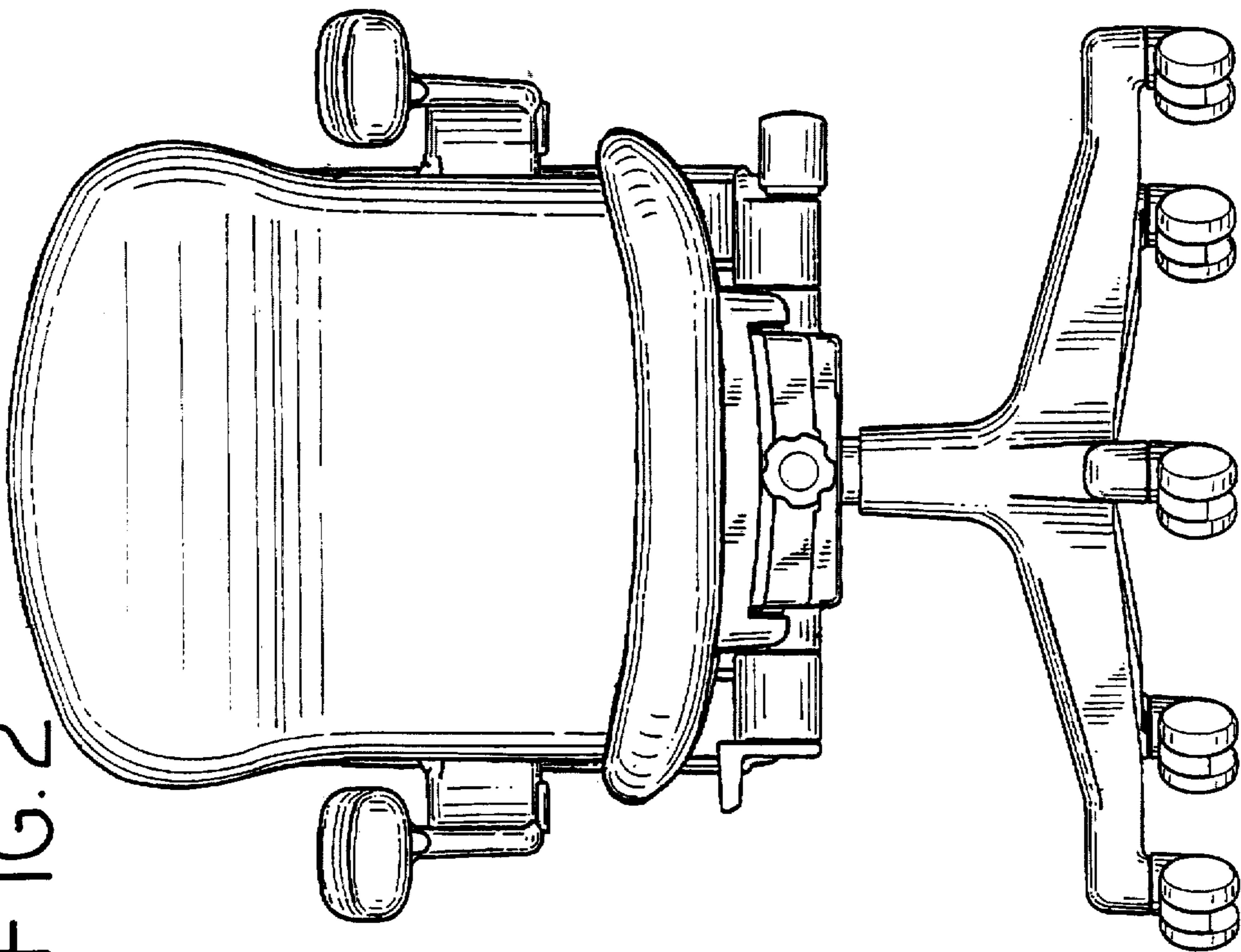


FIG. 5

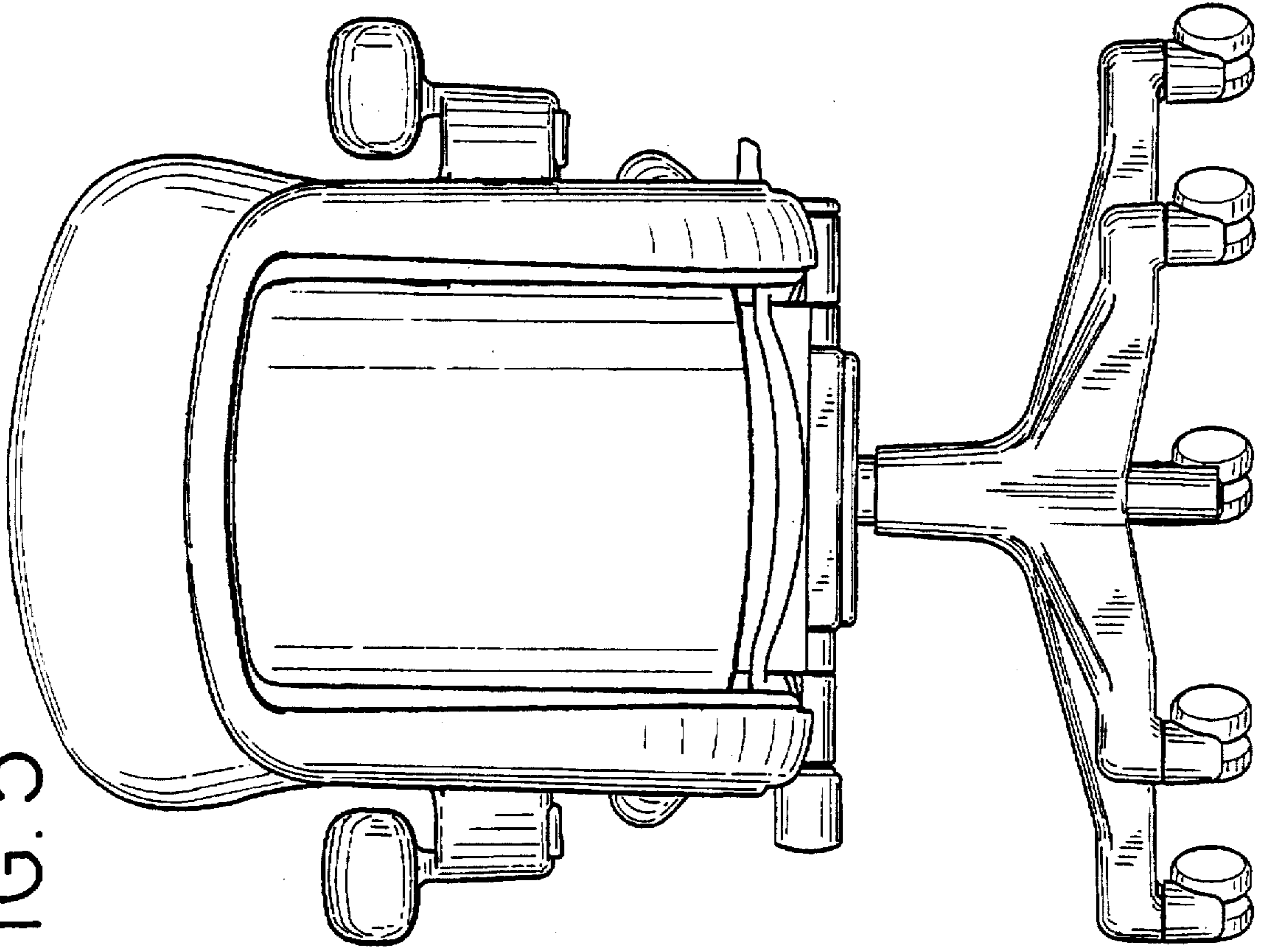


FIG. 4

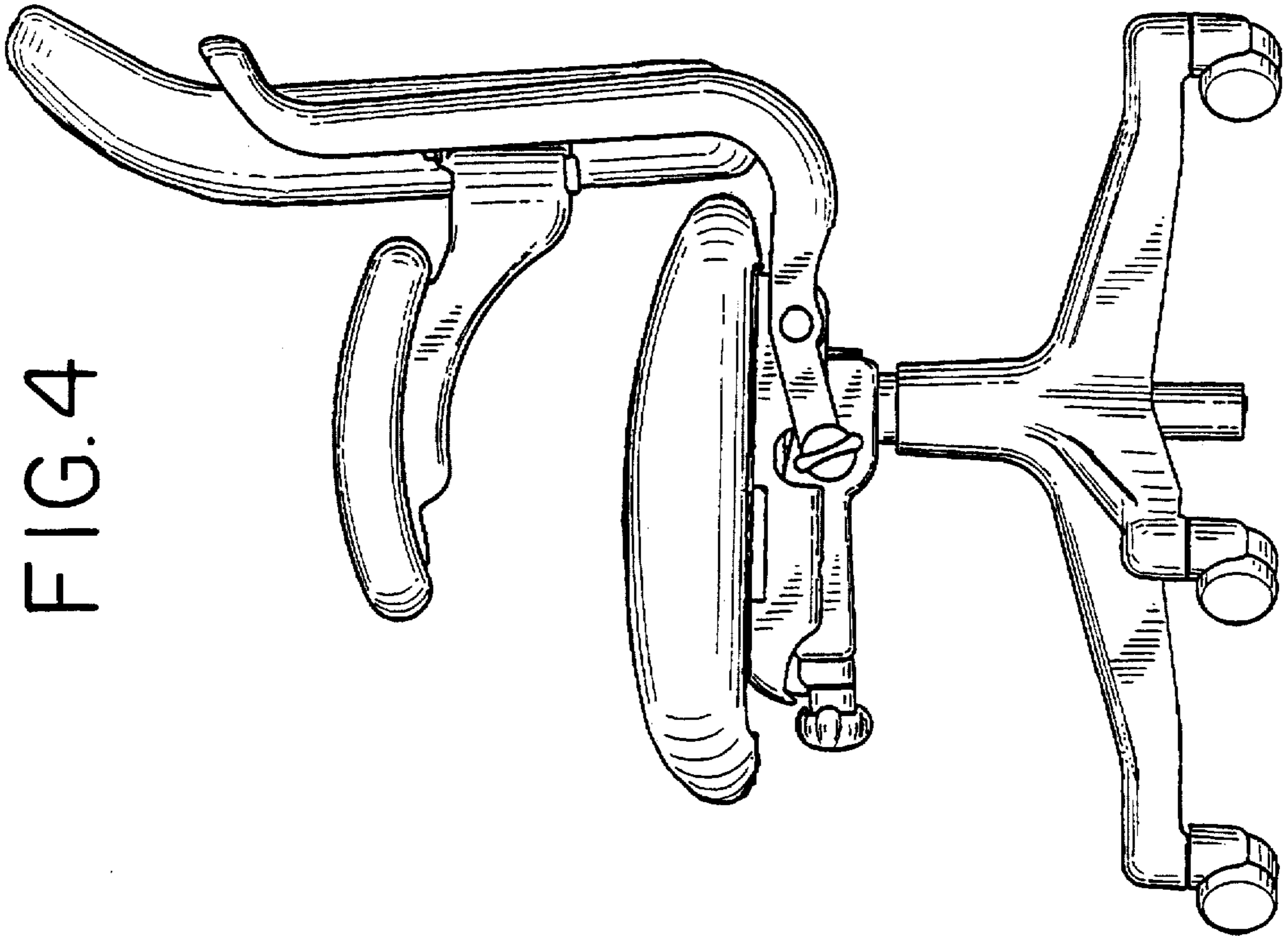


FIG. 6

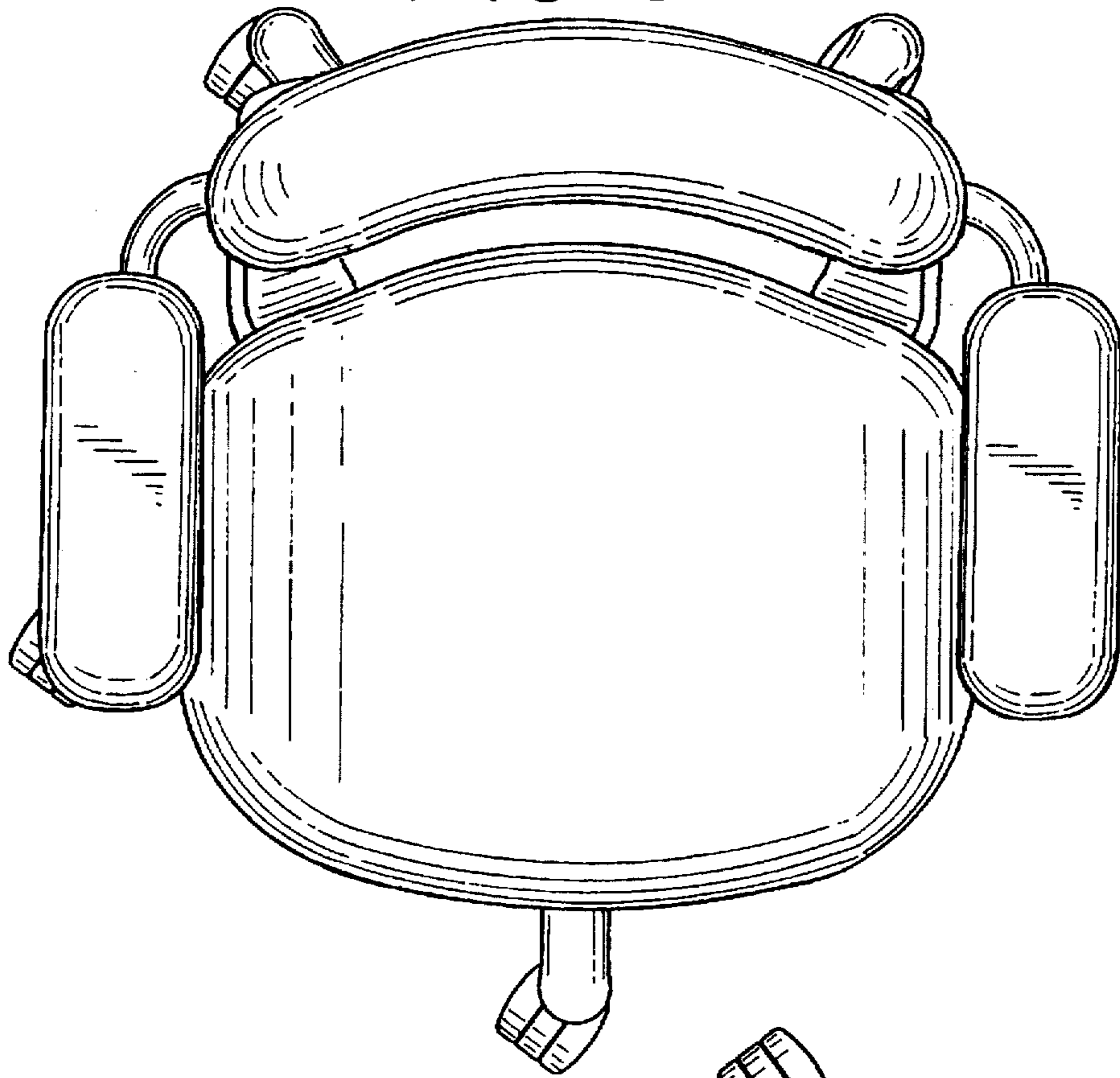


FIG. 7

