

US00D408155S

United States Patent [19]
Warshawsky

[11] **Patent Number:** **Des. 408,155**
[45] **Date of Patent:** ****Apr. 20, 1999**

[54] **TRIPOD MIRROR**

D. 243,301 2/1977 Ravin D6/309
1,482,743 2/1924 Grover D6/498

[75] **Inventor:** **Jerome Warshawsky**, Hewlett Harbor, N.Y.

OTHER PUBLICATIONS

Best, 1994-1995, p. 203, #J mirror at top left.

[73] **Assignee:** **IW Industries, Inc.**, Melville, N.Y.

Primary Examiner—Janice E. Seeger
Attorney, Agent, or Firm—Alfred M. Walker

[**] **Term:** **14 Years**

[57] **CLAIM**

[21] **Appl. No.:** **29/089,580**

The ornamental design for a tripod mirror, as shown and described.

[22] **Filed:** **Jun. 18, 1998**

[51] **LOC (6) Cl.** **06-07**

DESCRIPTION

[52] **U.S. Cl.** **D6/309; D6/312**

FIG. 1 is a perspective view of a tripod mirror, showing my new design;

[58] **Field of Search** D6/300-302, 309-314, D6/444, 495, 498, 499; 40/700, 714, 719, 723, 739, 745-749, 490, 798; 359/871, 872, 875, 879, 881, 876; 248/470-472, 466, 469, 474, 476

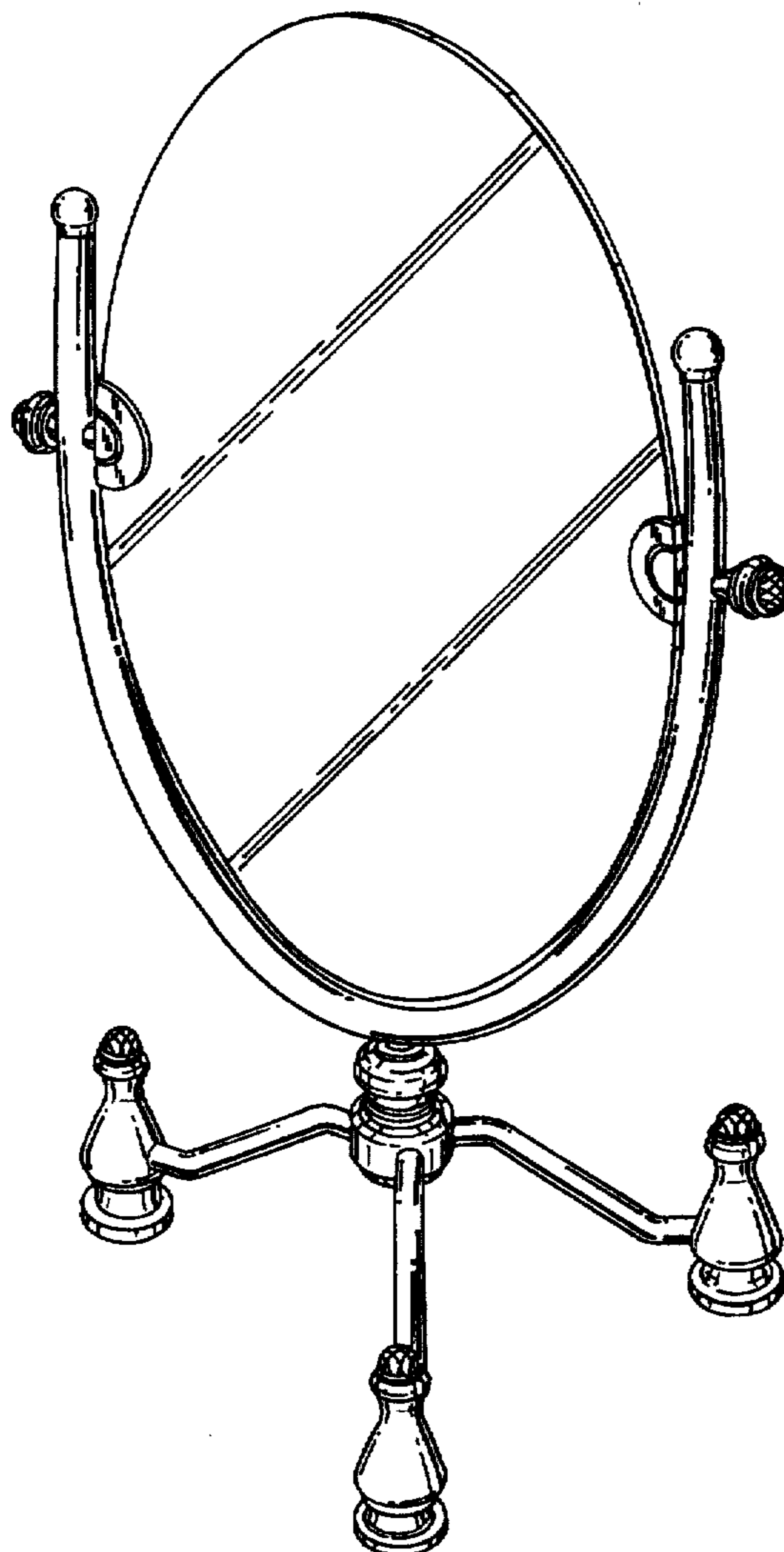
FIG. 2 is a front elevational view thereof;
FIG. 3 is a rear elevational view thereof;
FIG. 4 is a right side elevational view thereof;
FIG. 5 is a top plan view thereof;
FIG. 6 is a bottom view thereof; and,
FIG. 7 is a left side elevational view thereof.

[56] **References Cited**

U.S. PATENT DOCUMENTS

D. 41,428 6/1911 Golden D6/312

1 Claim, 6 Drawing Sheets



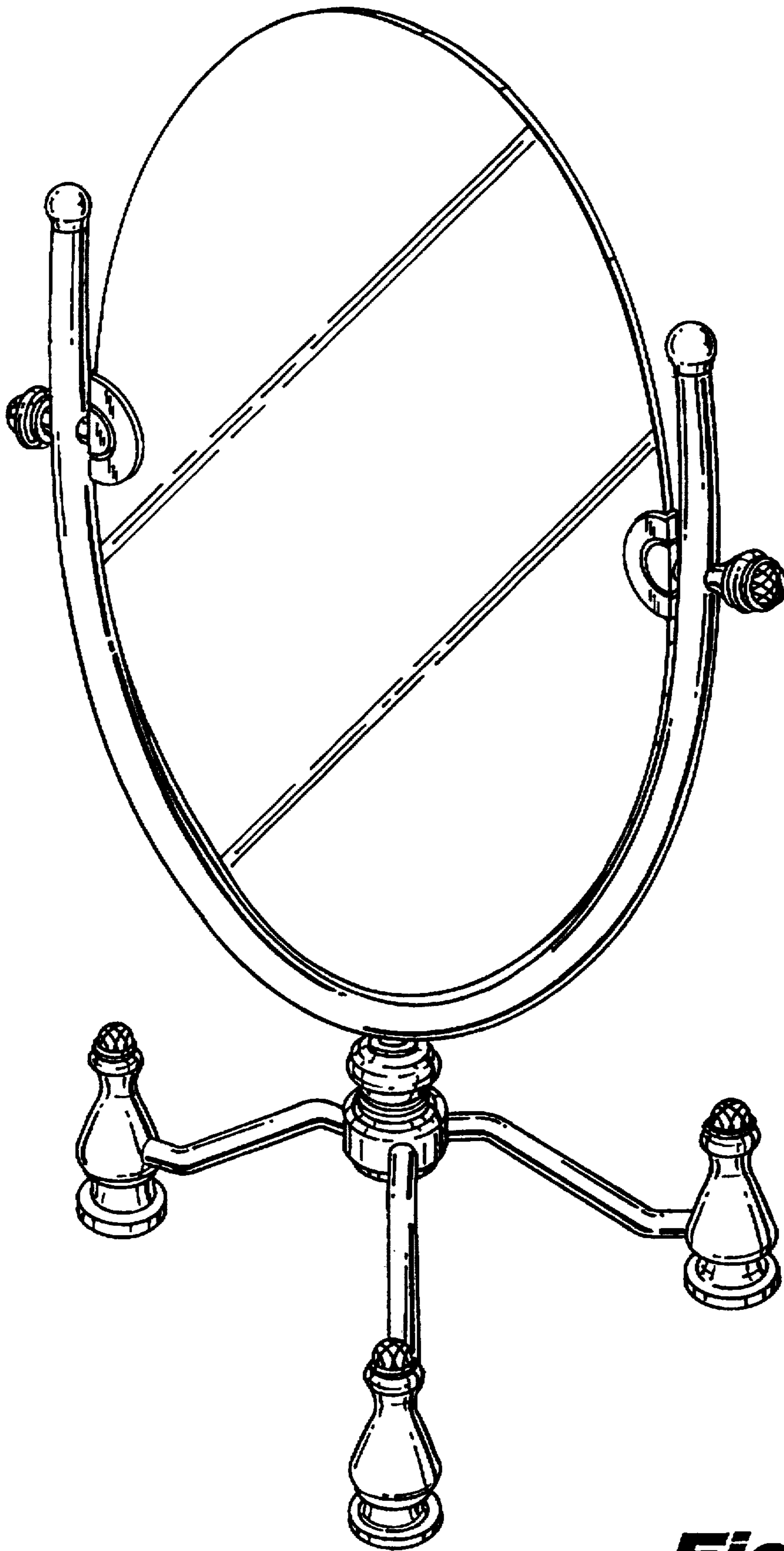


Fig. 1

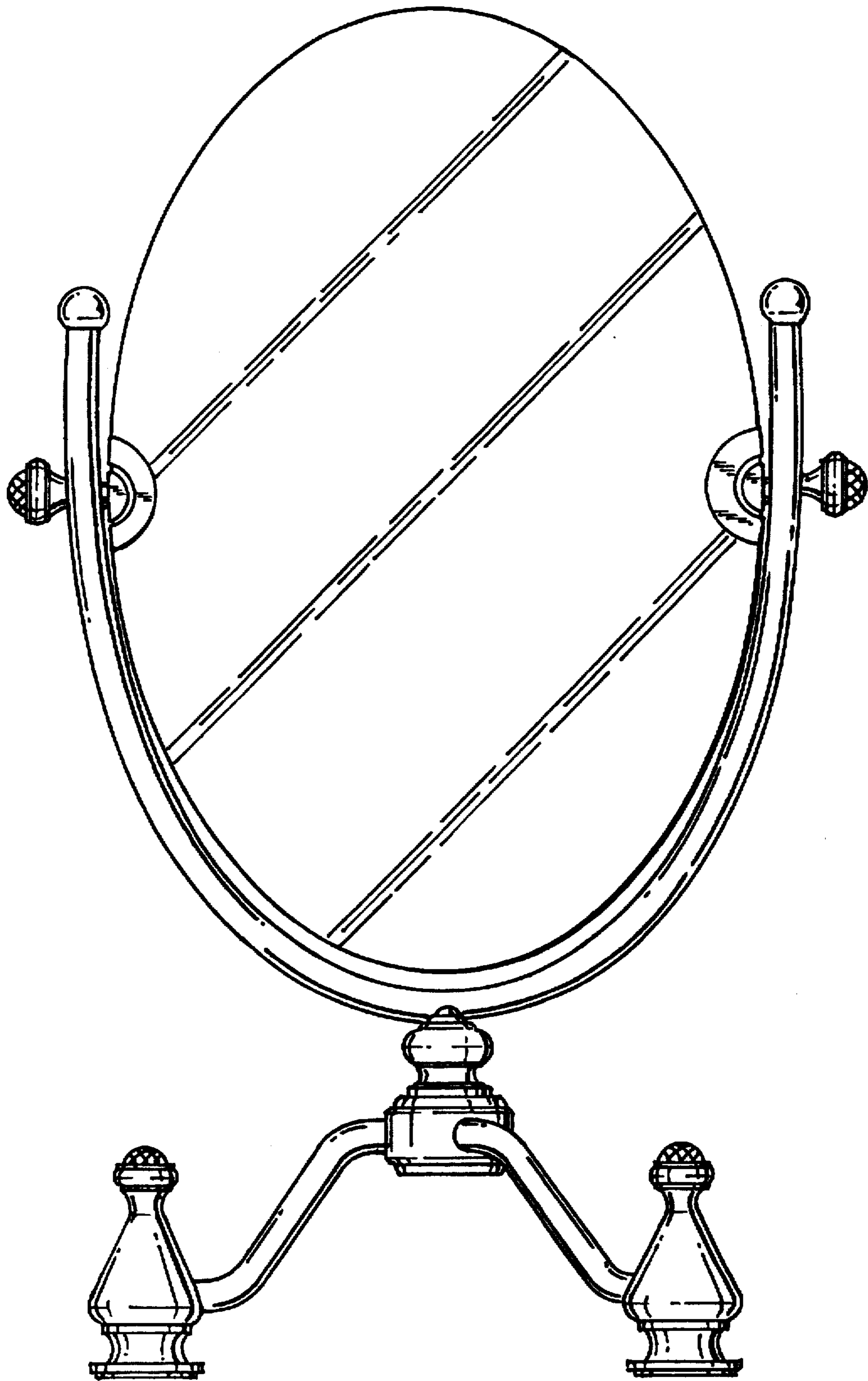


Fig. 2

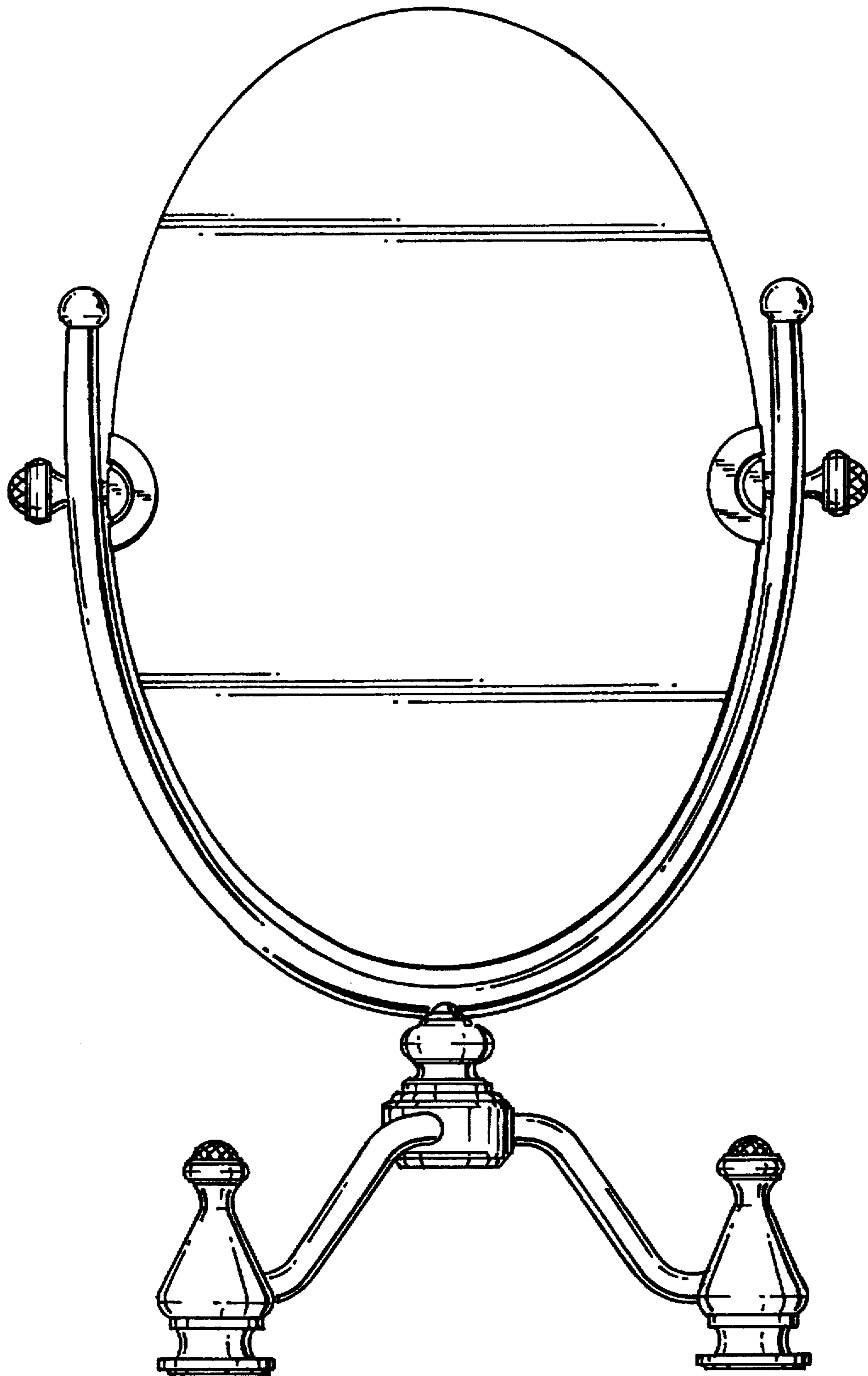


Fig. 3

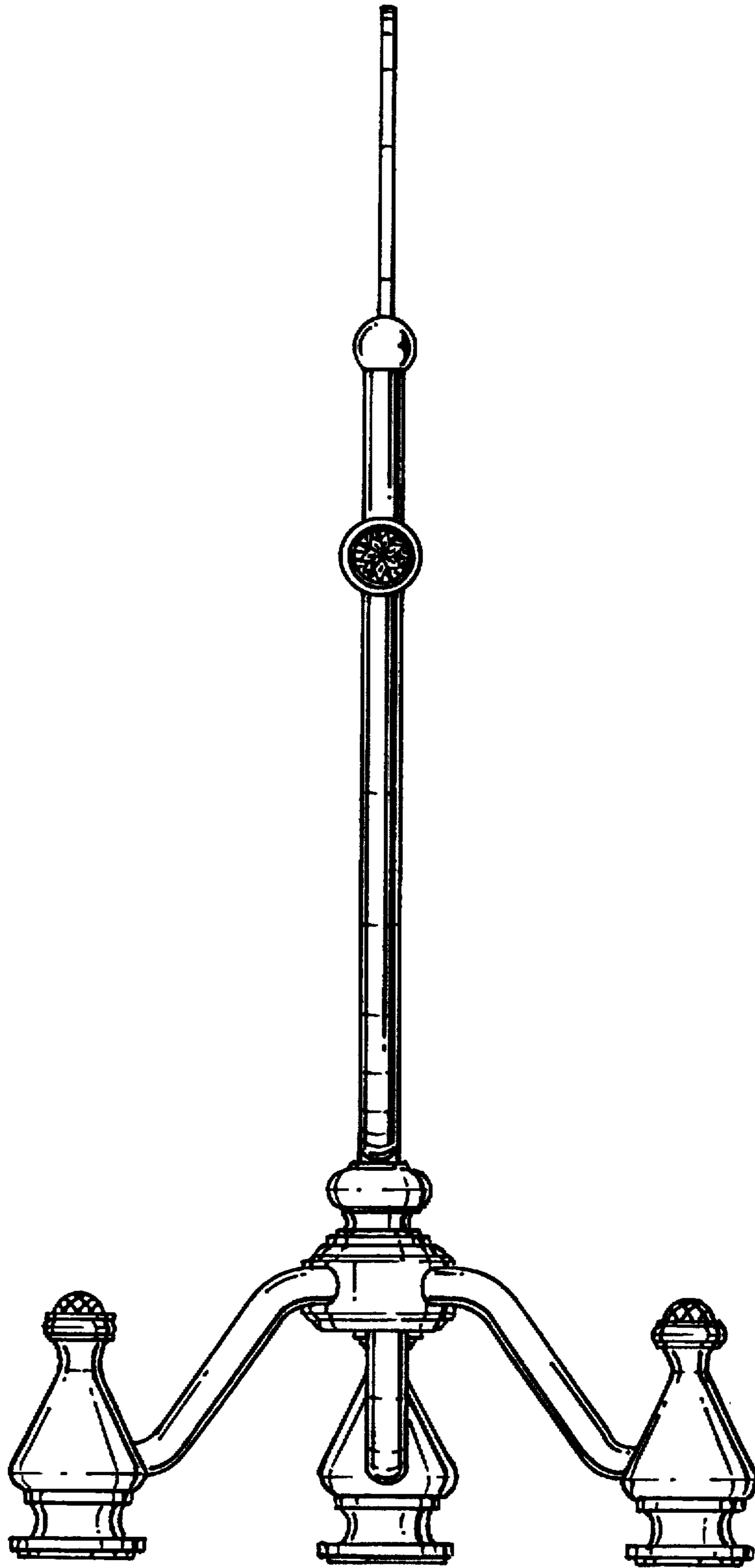


Fig. 4

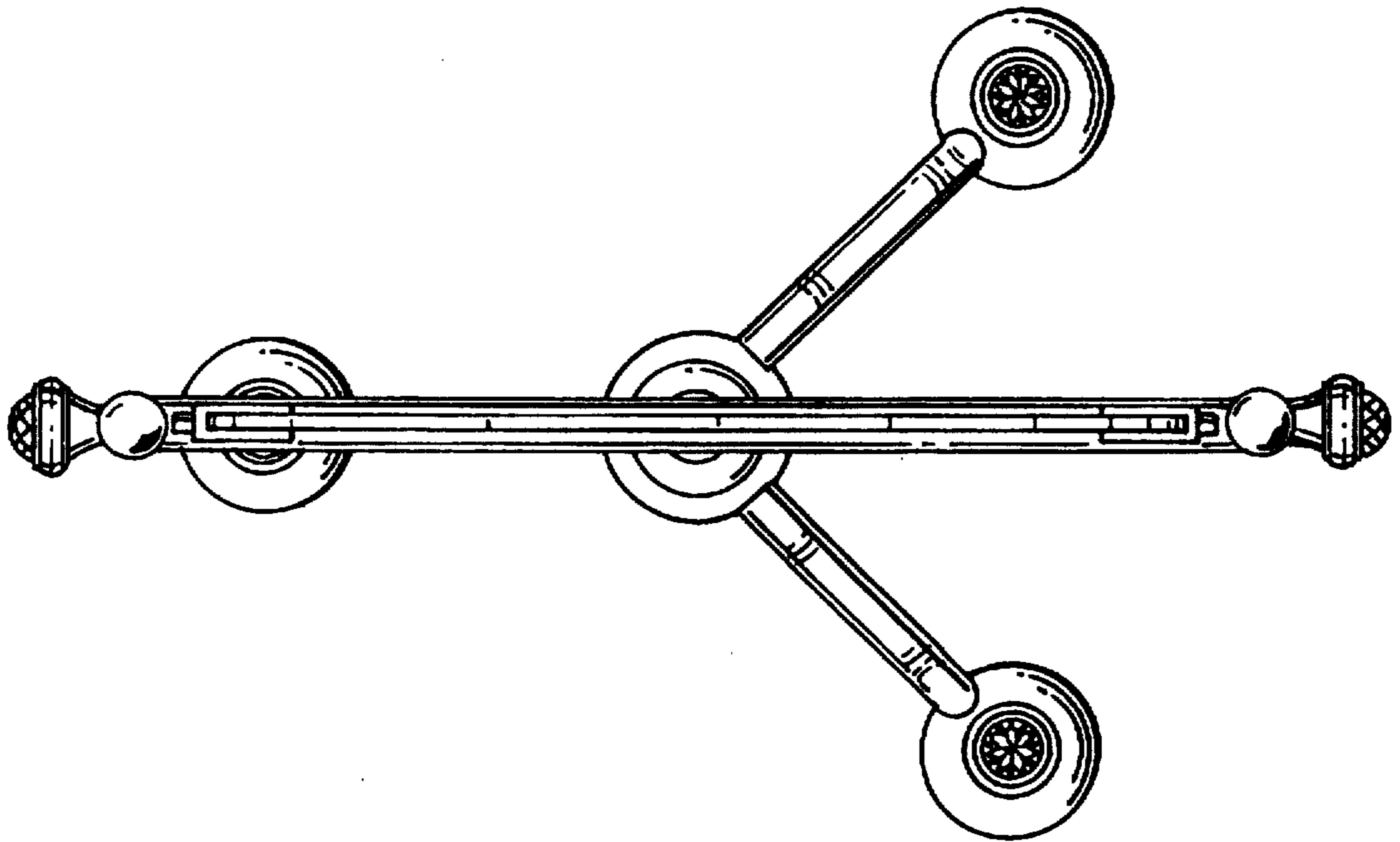


Fig. 5

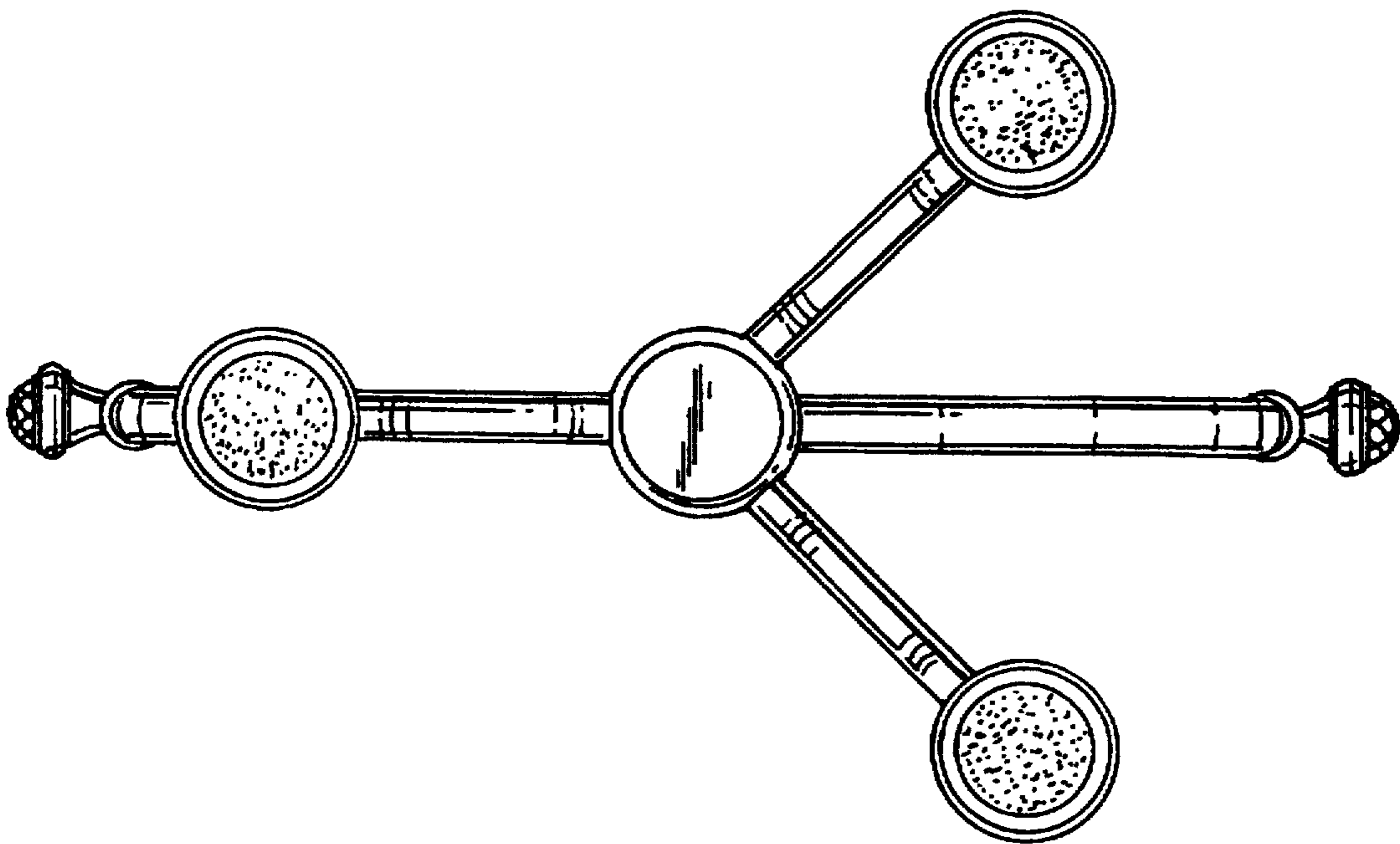


Fig. 6

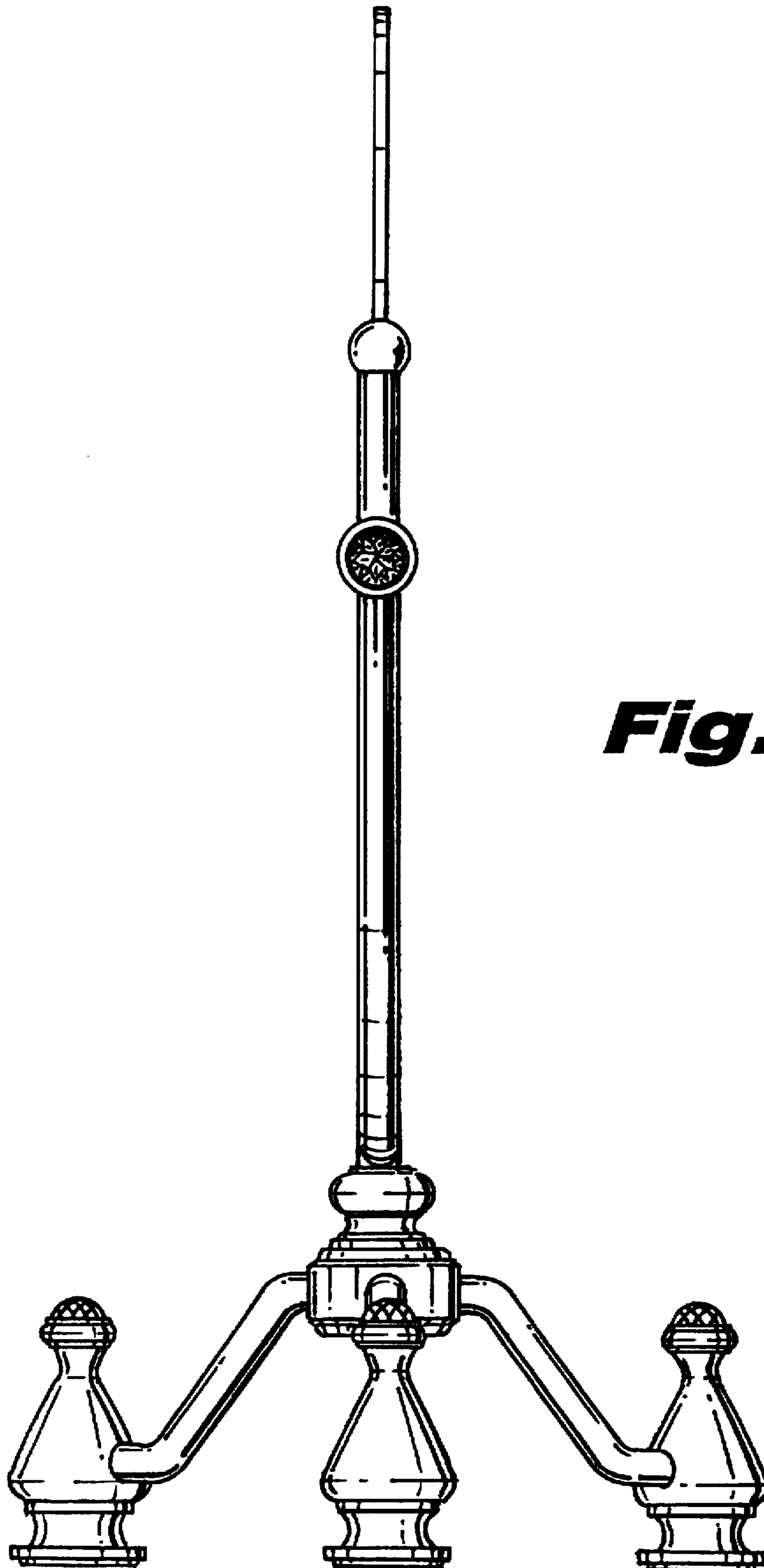


Fig. 7