



US00D408148S

United States Patent [19]

Frost et al.

[11] Patent Number: Des. 408,148

[45] Date of Patent: **Apr. 20, 1999

[54] LIQUID DISPENSING BRUSH WITH CAP

[75] Inventors: John Steven Frost, Agoura; Nguyen Thai Dang, Torrance, both of Calif.

[73] Assignee: Courtaulds Aerospace, Inc., Burbank, Calif.

[**] Term: 14 Years

[21] Appl. No.: 29/061,707

[22] Filed: Oct. 29, 1996

Related U.S. Application Data

[63] Continuation-in-part of application No. 08/506,383, Jul. 24, 1995, Pat. No. 5,568,988.

[51] LOC (6) CL 04-04

[52] U.S. Cl. D4/114; D4/121; D4/135

[58] Field of Search D4/114, 116, 121, D4/127, 135, 138; 15/143.1, 159.1, 160, 184, 186, 187; 401/40-41, 132, 133, 192, 268, 269, 273, 274, 277

[56] References Cited

U.S. PATENT DOCUMENTS

519,223	5/1894	Bailey	401/277
1,607,768	11/1926	Meusel	401/41
3,355,238	11/1967	Schwartzman	401/41
3,519,364	7/1970	Truhan	401/177
3,759,259	9/1973	Truhan	128/269
3,964,643	6/1976	Morane et al.	222/145
4,387,809	6/1983	Botzler	206/526
4,632,244	12/1986	Landau	206/219
4,685,820	8/1987	Kremer et al.	401/260
4,710,048	12/1987	Vartoughian	401/269
4,784,506	11/1988	Koreska et al.	401/132
4,792,252	12/1988	Kremer et al.	401/206

4,848,947	7/1989	Kremer et al.	401/206
4,927,012	5/1990	Rowe	206/219
4,993,437	2/1991	Kimura et al.	401/273 X
5,069,773	12/1991	Frangioni	204/299

FOREIGN PATENT DOCUMENTS

170721	5/1906	Germany	401/273
441654	3/1927	Germany	401/41

OTHER PUBLICATIONS

"Two-Part Aerosol Dispenser Employing Puncturable Membranes," David L. Miskell, Copyright 1994.

Primary Examiner—Alan P. Douglas

Assistant Examiner—Lavone D. Tabor

Attorney, Agent, or Firm—Gifford, Krass, Groh, Sprinkle, Anderson & Citkowski, P.C.

[57] CLAIM

The ornamental design for a liquid dispensing brush with cap, as shown and described.

DESCRIPTION

FIG. 1 is a top view of a liquid dispensing brush with cap showing my new design;

FIG. 2 is a side view thereof, the opposite side being identical thereto;

FIG. 3 is a bottom view thereof;

FIG. 4 is a left end view thereof;

FIG. 5 is a right end view thereof;

FIG. 6 is a sectional view taken along line 6—6 in FIG. 1;

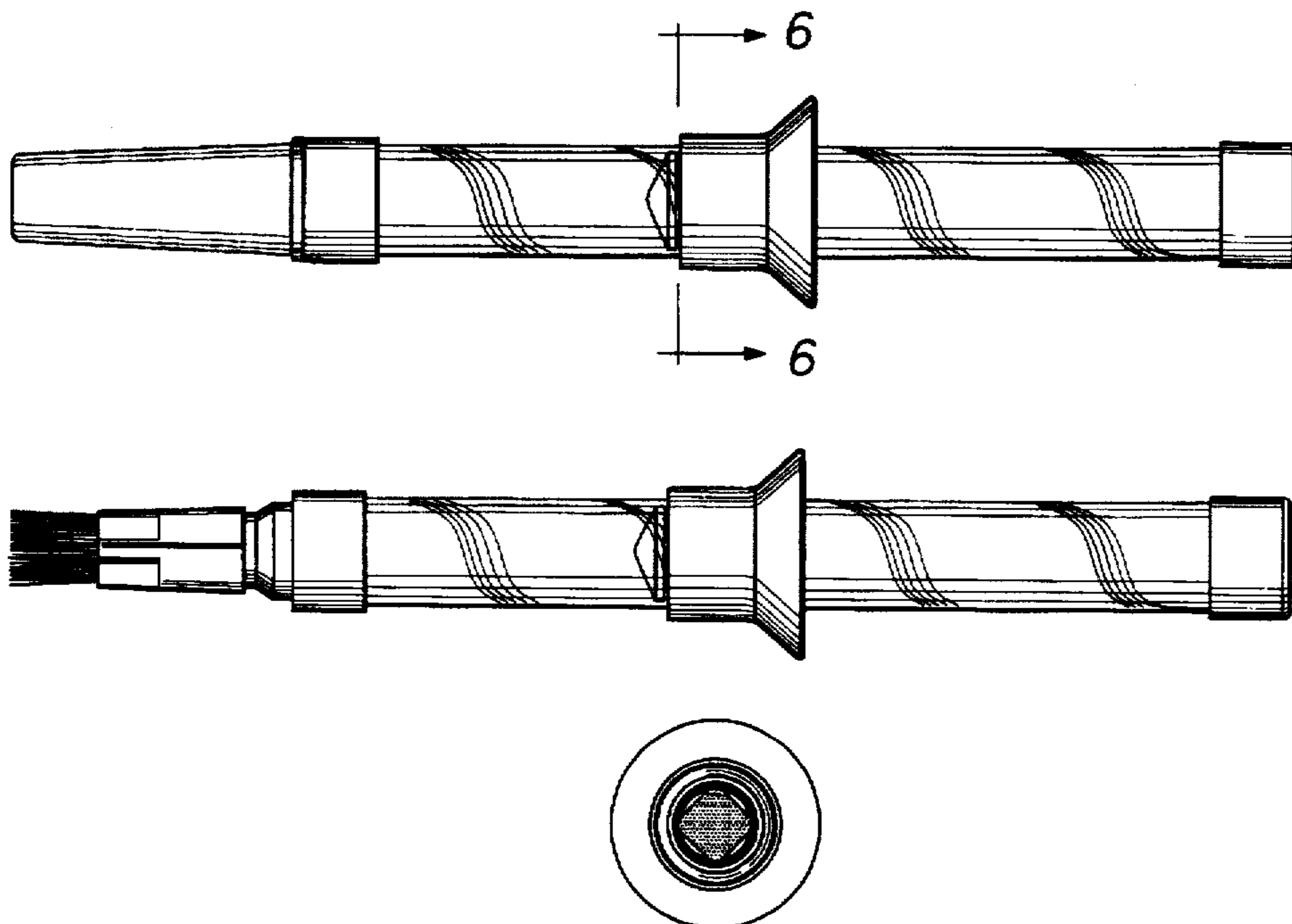
FIG. 7 is a top view thereof with the cap removed;

FIG. 8 is a side view of FIG. 7, the opposite side being identical thereto;

FIG. 9 is a bottom view of FIG. 7; and,

FIG. 10 is a left end view of FIG. 7.

1 Claim, 2 Drawing Sheets



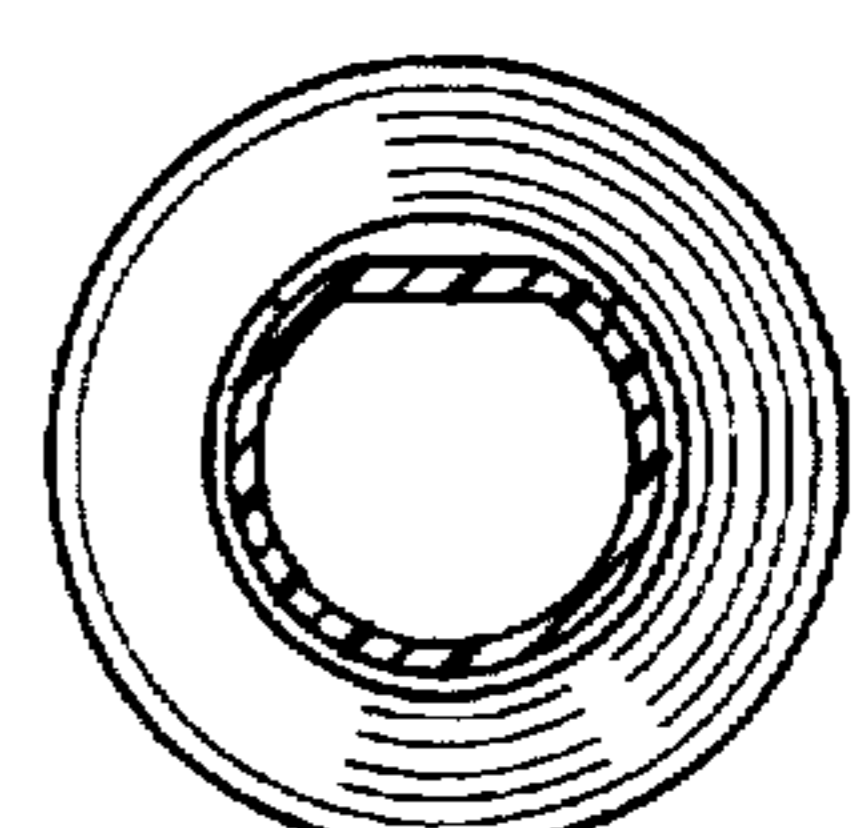
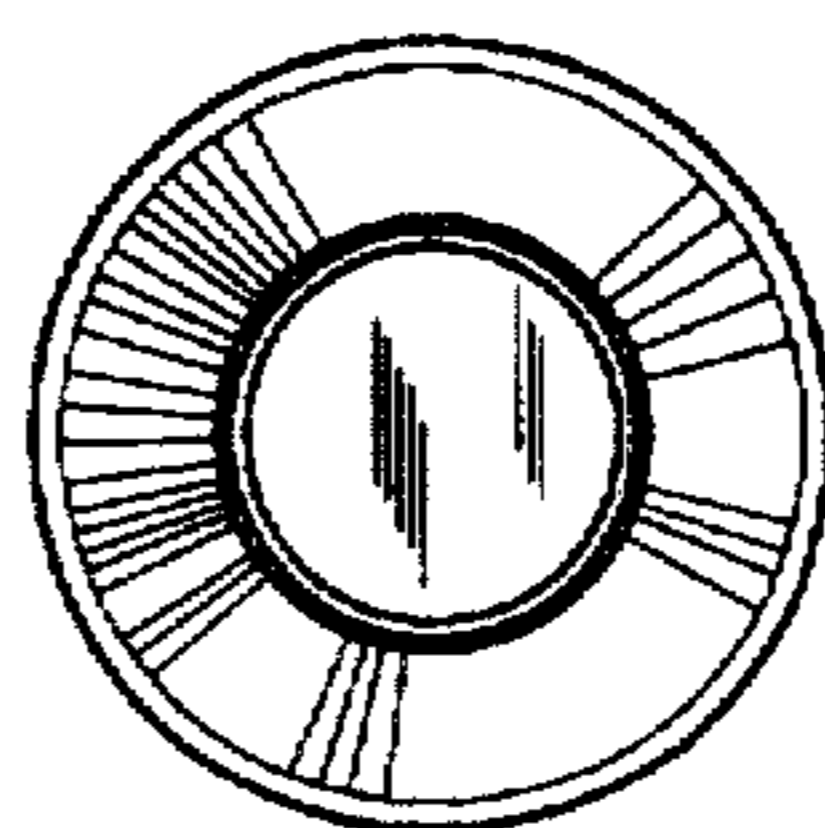
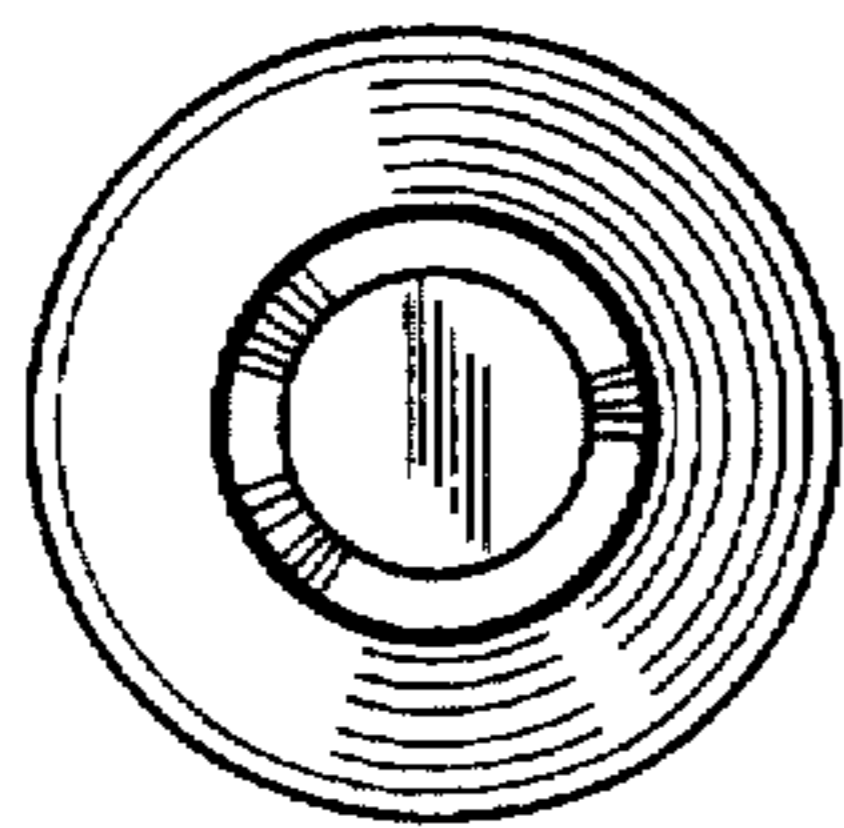
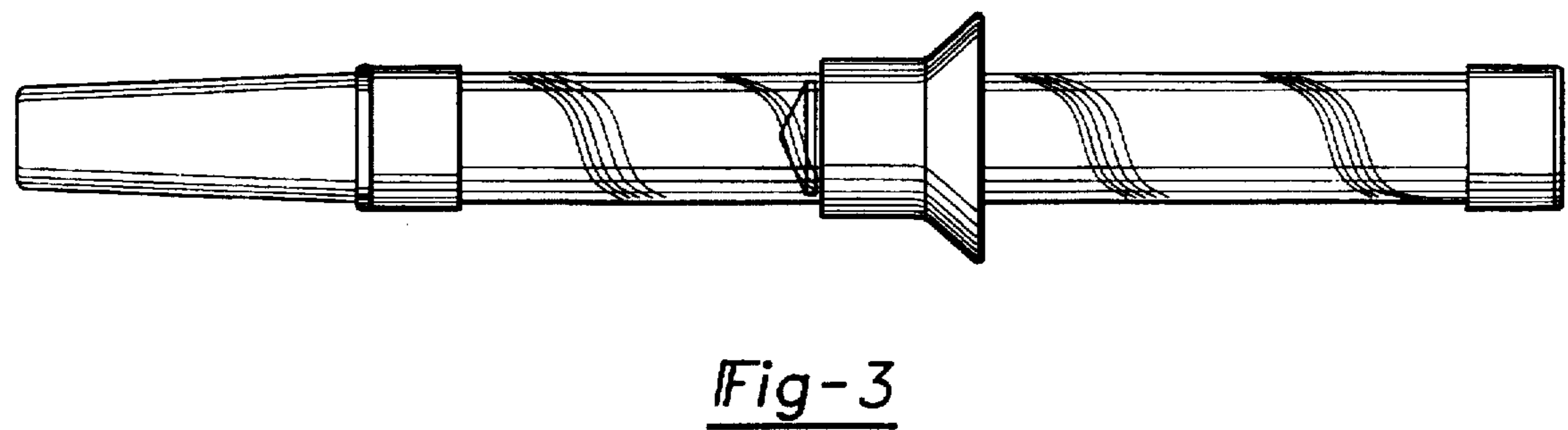
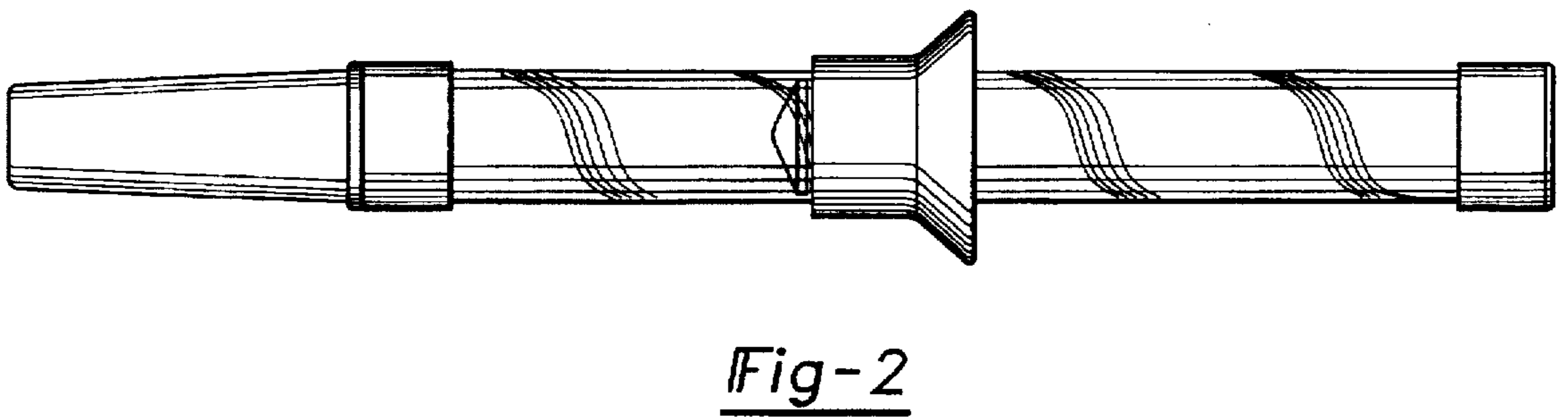
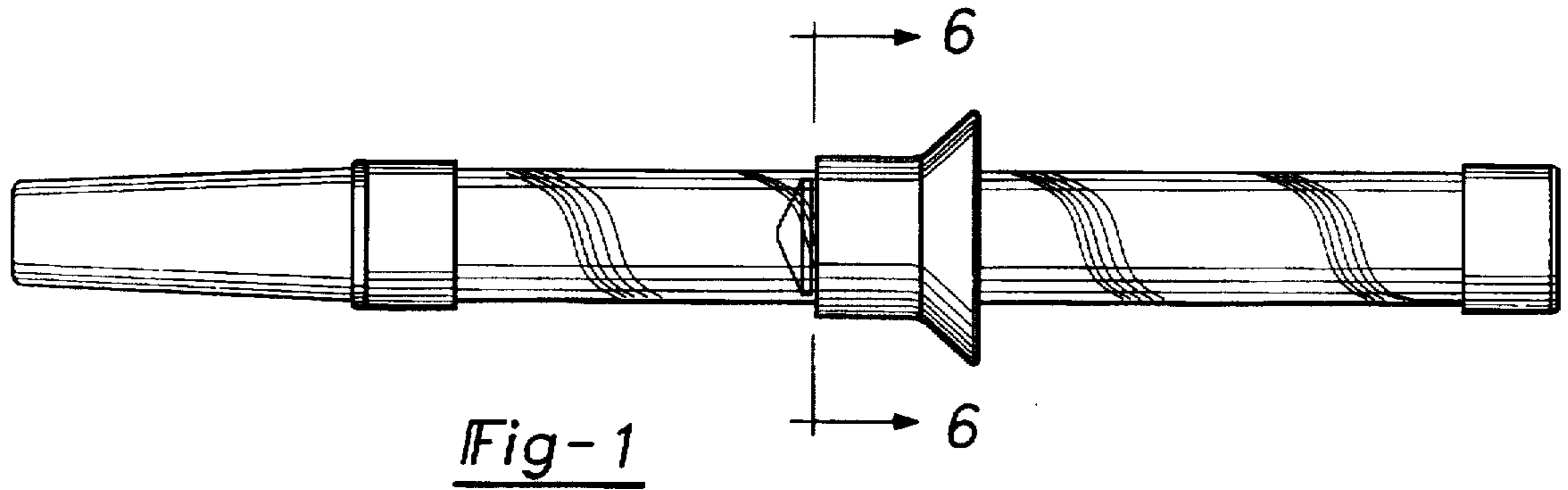


Fig-4

Fig-5

Fig-6

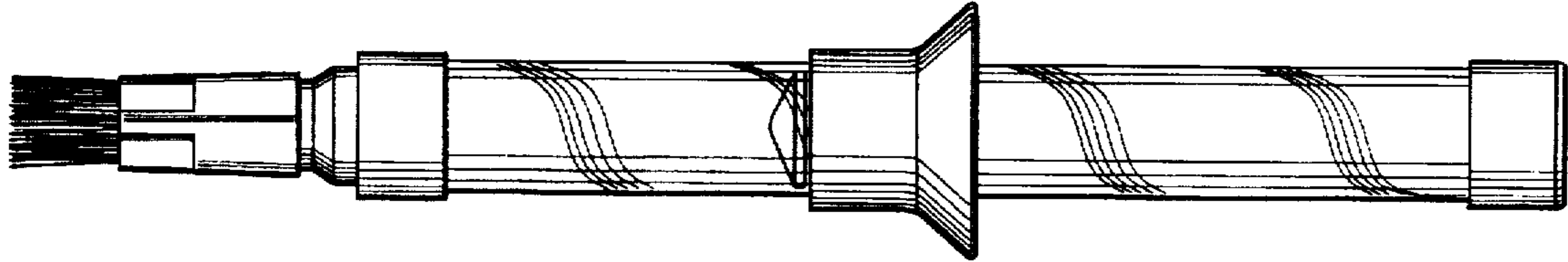


Fig-7

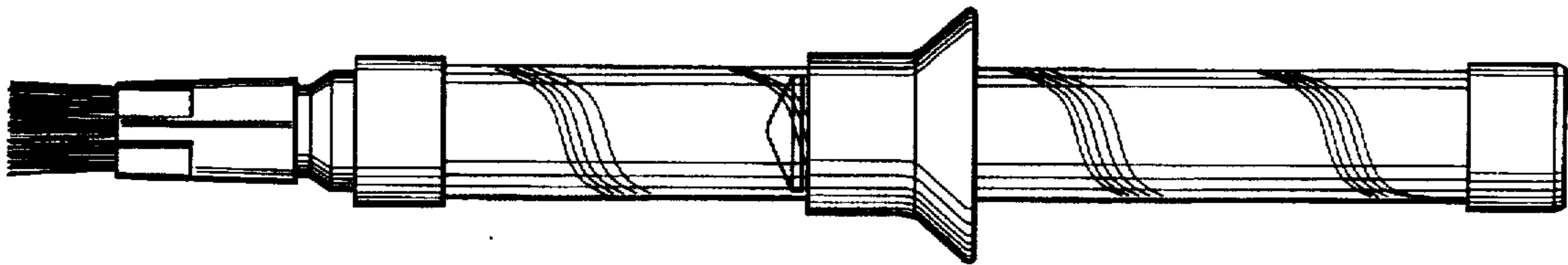


Fig-8

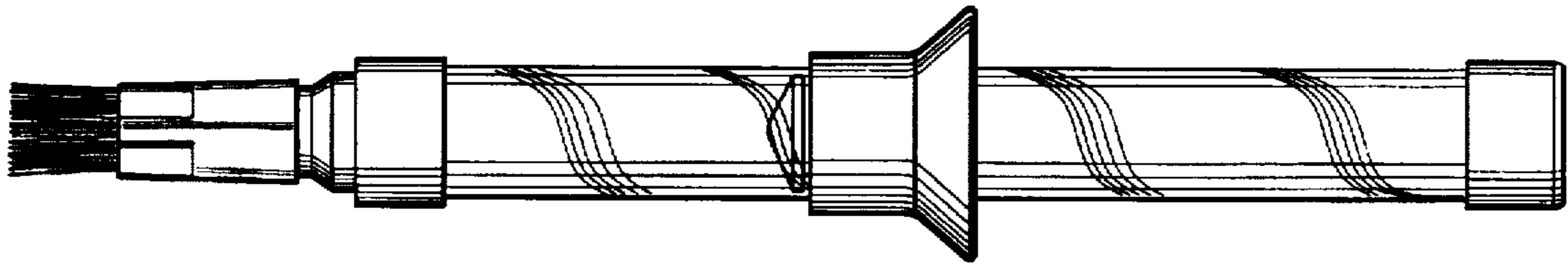


Fig-9

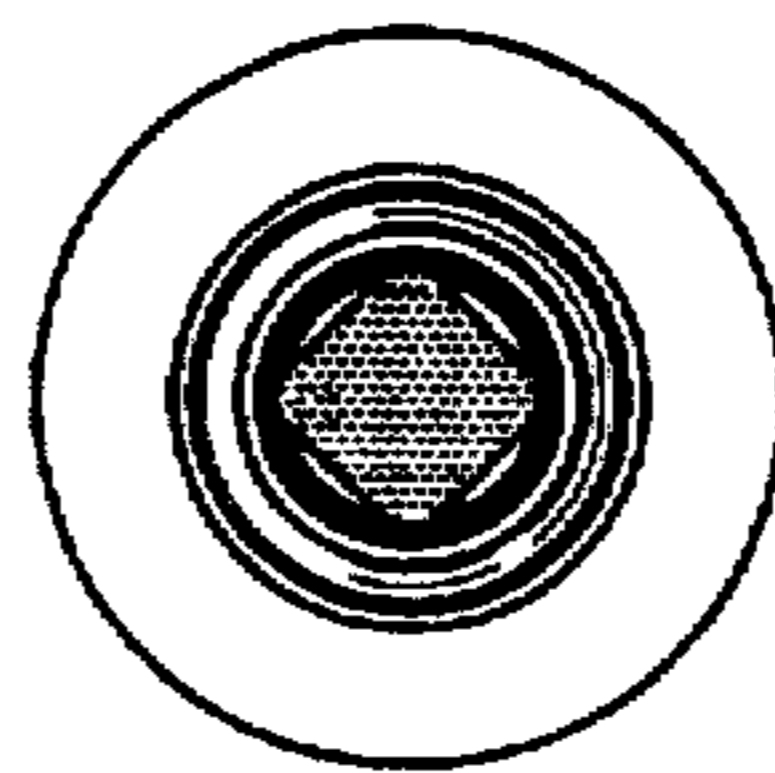


Fig-10