



US00D408145S

United States Patent [19]

[11] Patent Number: Des. 408,145

Au

[45] Date of Patent: **Apr. 20, 1999

[54] CONTAINER FOR WATCHES, JEWELRY, PENS, OR EYE-GLASSES

4,452,373 6/1984 Pearce et al. 206/566
4,732,269 3/1988 Roy 206/45.13

[76] Inventor: **Ho Ching Au**, Blk. A, 9/F., Goodview Ind. Bldg., 11 Kin Fat St., Tuen Mun, N.T., The Hong Kong Special Administrative Region of the People's Republic of China

Primary Examiner—Philip S. Hyder
Attorney, Agent, or Firm—David and Raymond; Raymond Y. Chan

[**] Term: 14 Years

[57] CLAIM

The ornamental design for a container for watches, jewelry, pens, or eye-glasses, as shown described.

[21] Appl. No.: 29/083,693

DESCRIPTION

[22] Filed: Feb. 17, 1998

[51] LOC (6) CL 03-01

[52] U.S. CL. D3/294; D3/903

[58] Field of Search D3/273, 294, 295, D3/903; D9/420, 423, 424; 206/45.13, 45.18, 566

FIG. 1 is a perspective view showing my new design.

FIG. 2 is a front view thereof.

FIG. 3 is a left end view thereof.

FIG. 4 is a right end view thereof.

FIG. 5 is a top view thereof.

FIG. 6 is a bottom view thereof.

FIG. 7 is a rear view thereof.

FIG. 8 is a perspective view thereof, wherein the container is in an open state and the pillow has been dislodged;

FIG. 9 is a perspective view of a modified embodiment of the container for watches, jewelry, pens or eye-glasses; and,

FIG. 10 is a perspective view of FIG. 9, wherein the container is in an open state and the pillow has been dislodged.

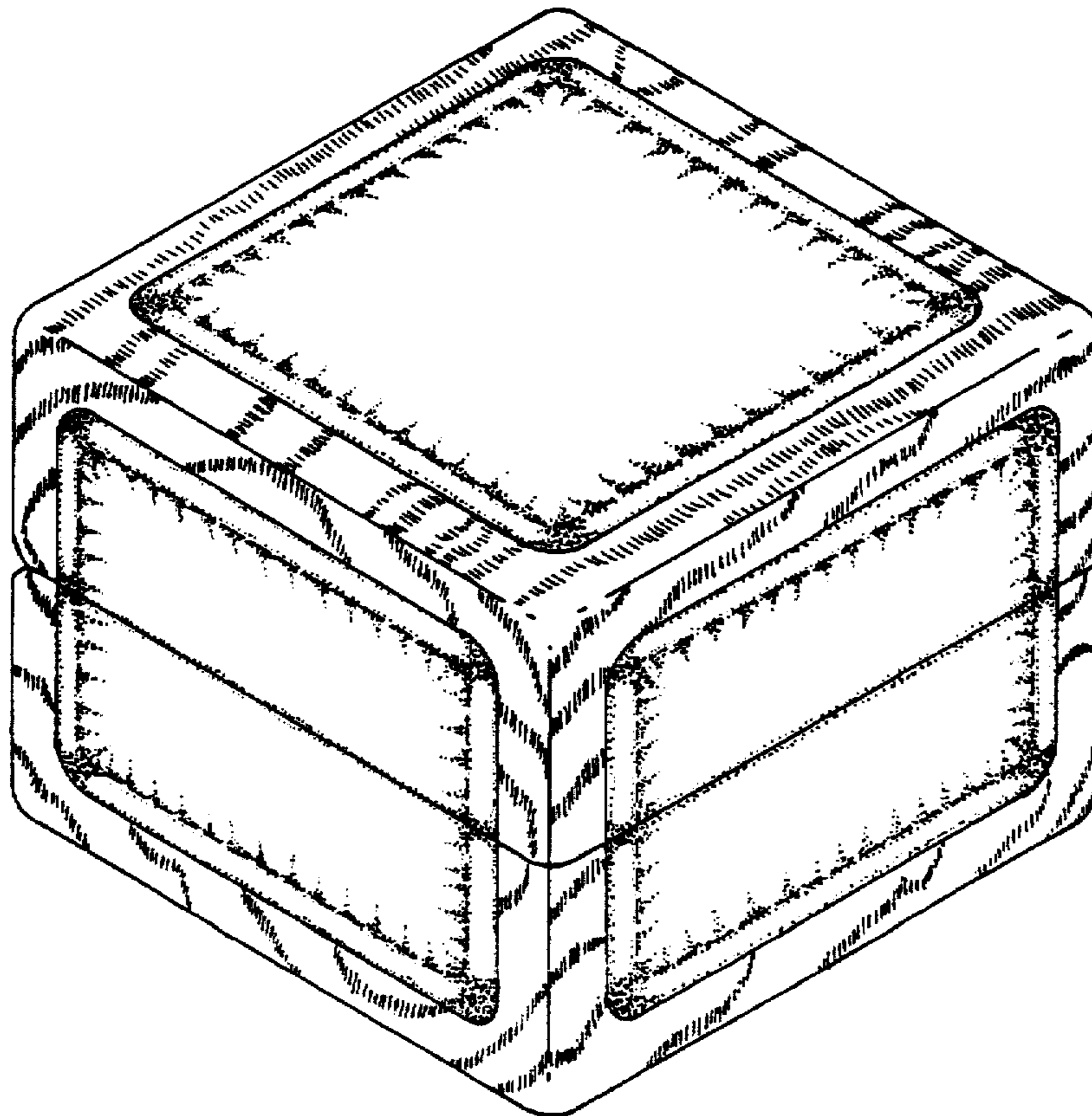
The appearance of the rear surface of the modified embodiment of the container as disclosed in FIGS. 9 and 10 forms no part of the claimed design.

[56] References Cited

U.S. PATENT DOCUMENTS

D. 203,708	2/1966	Braun	D9/423
D. 211,007	5/1968	Braun	D9/423
D. 303,765	10/1989	Kaplan	D9/423
D. 306,973	4/1990	Kaplan	D9/423
D. 316,036	4/1991	Kaplan	D9/423
D. 332,399	1/1993	Neff	D9/423
D. 333,264	2/1993	Kaplan	D9/420
D. 336,989	7/1993	Rentz	D3/294
3,390,809	7/1968	Becucci	206/566

1 Claim, 10 Drawing Sheets



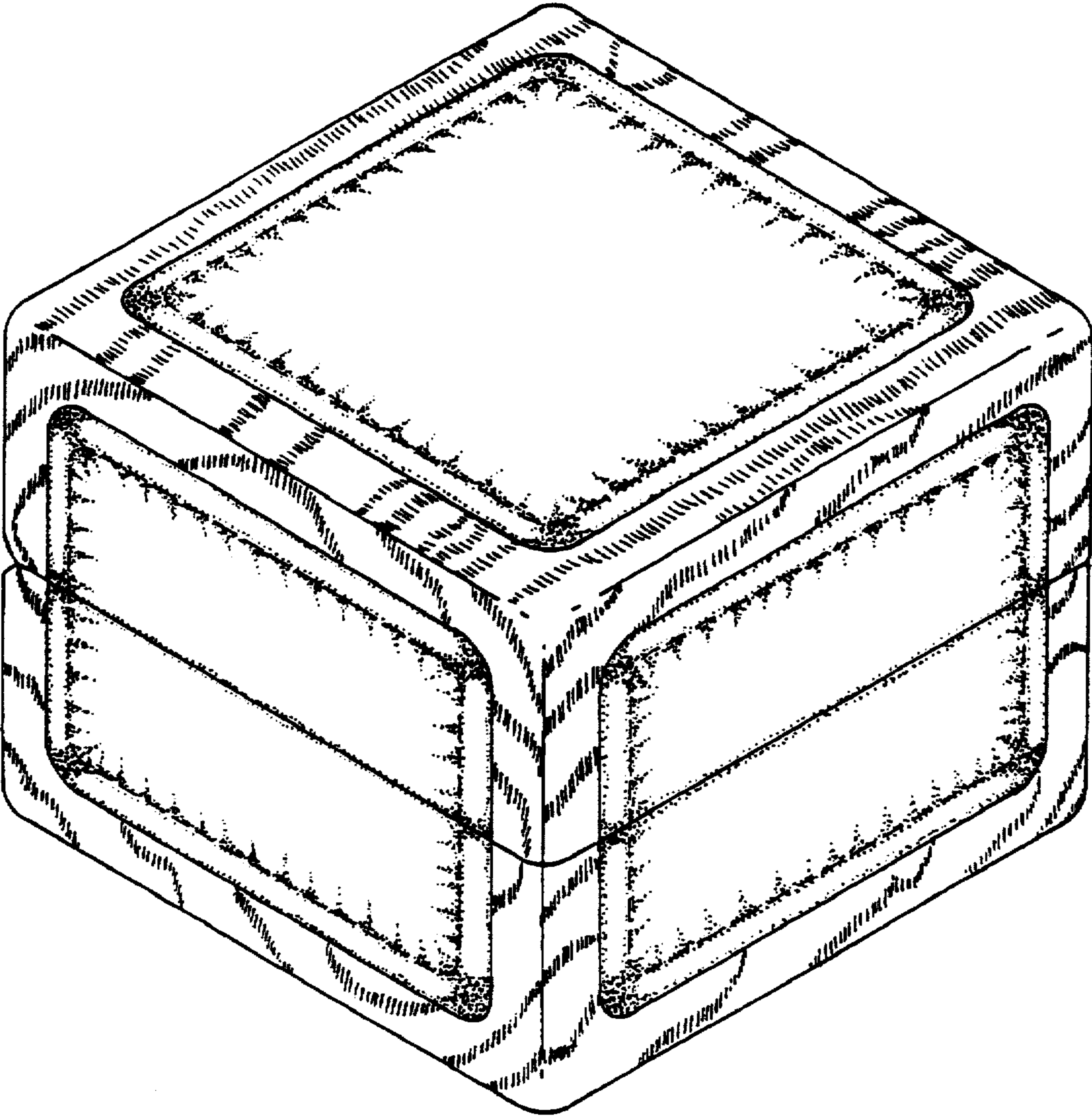


FIG. 1

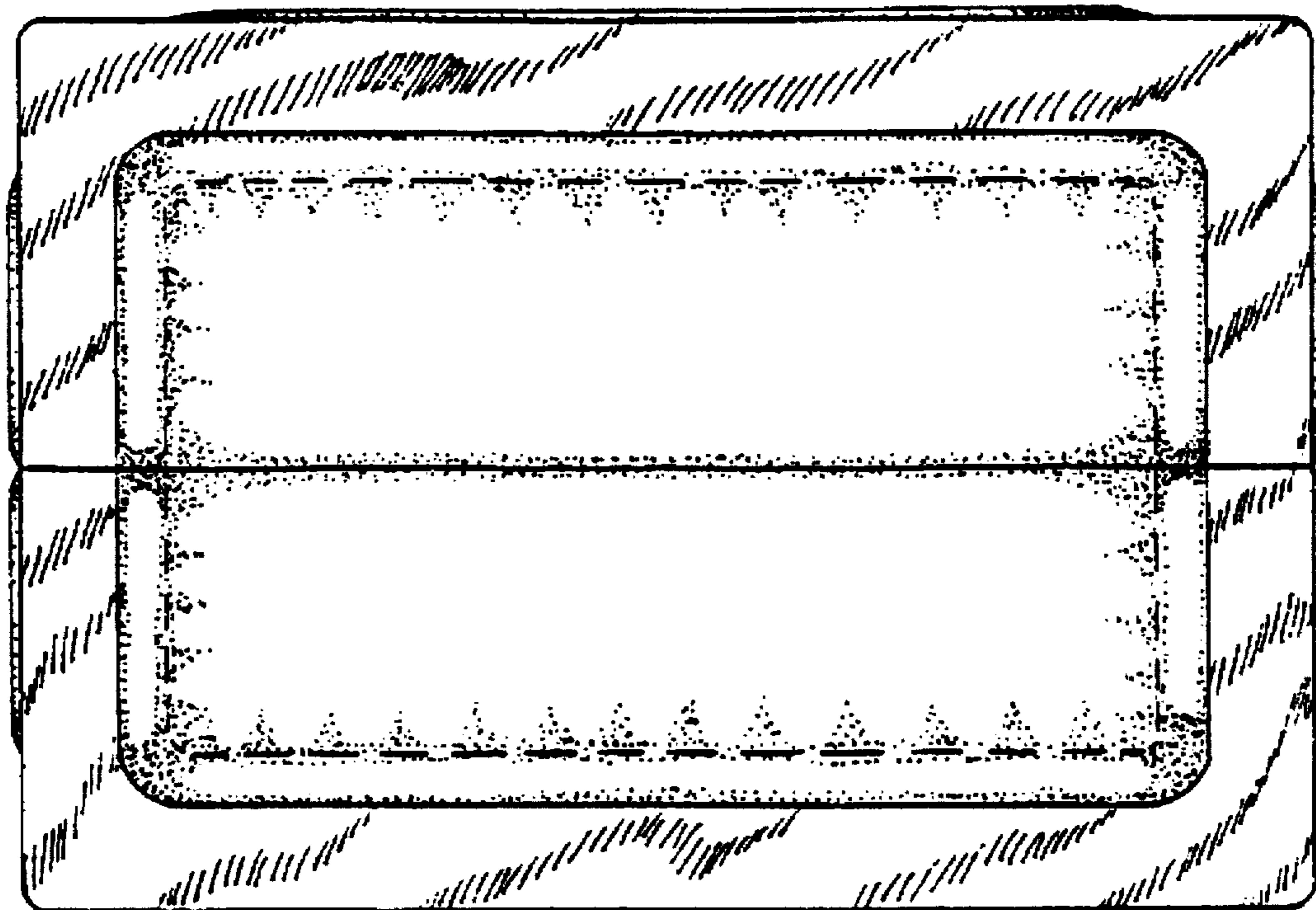


FIG. 2

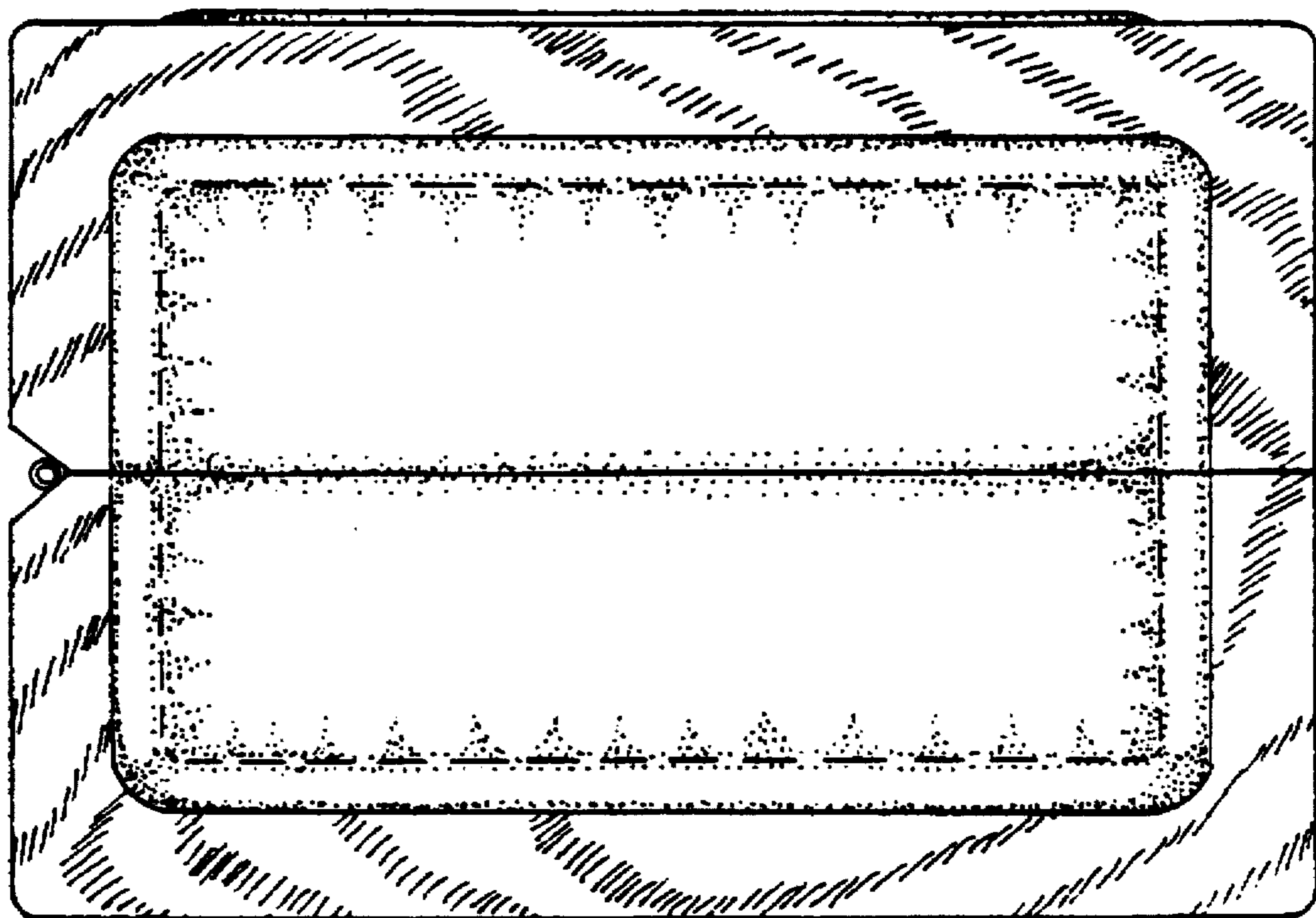


FIG. 3

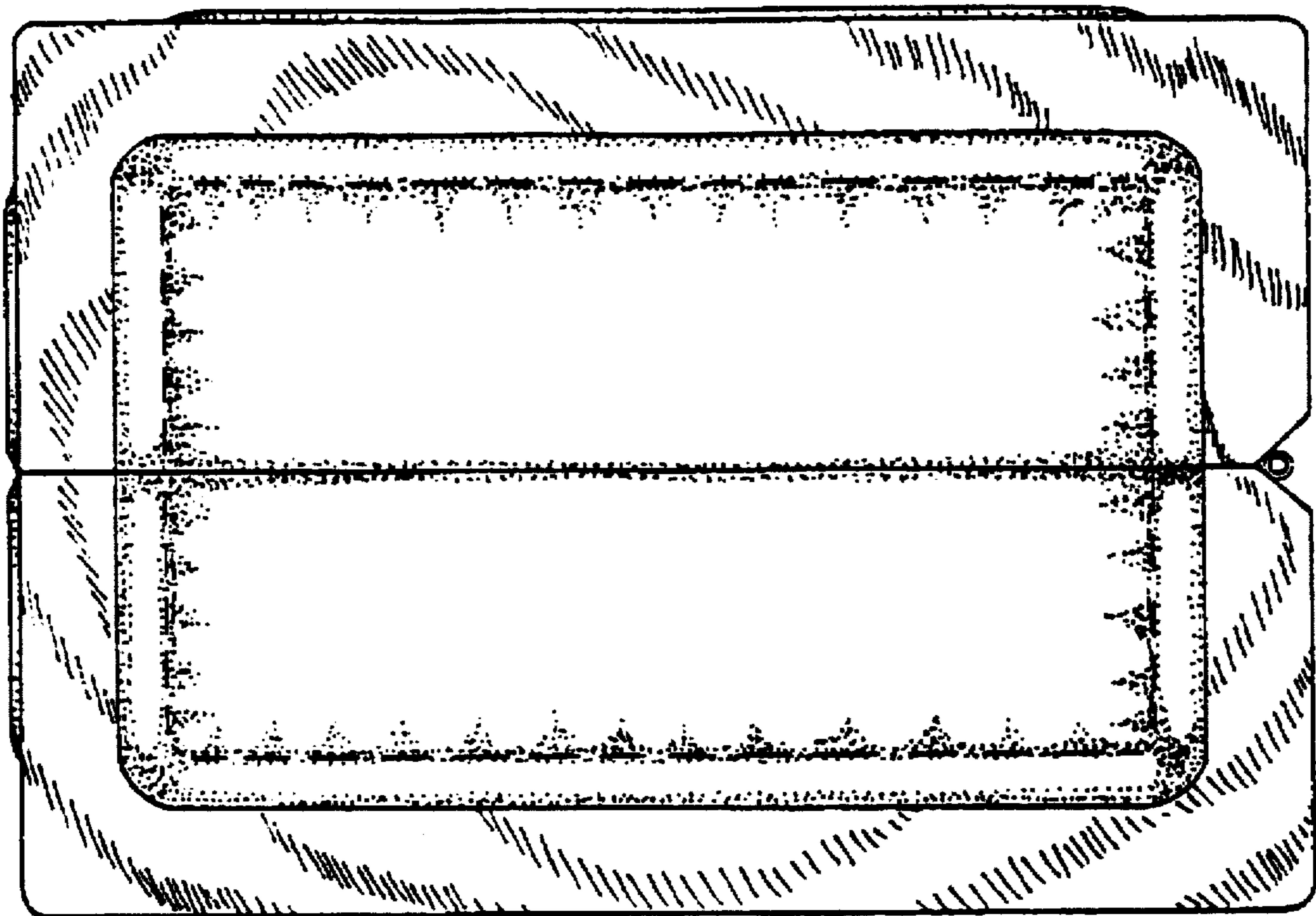


FIG. 4

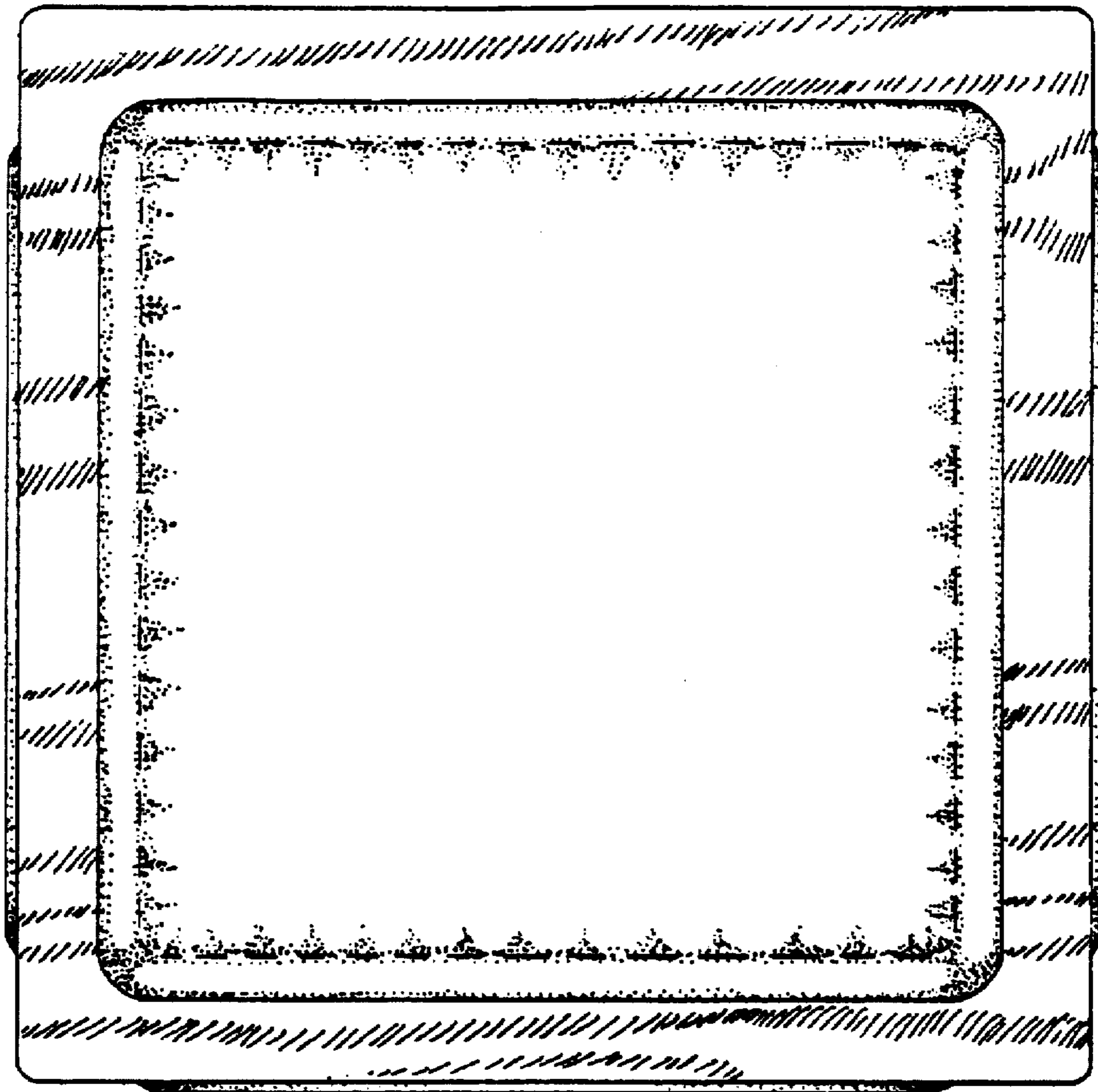


FIG. 5

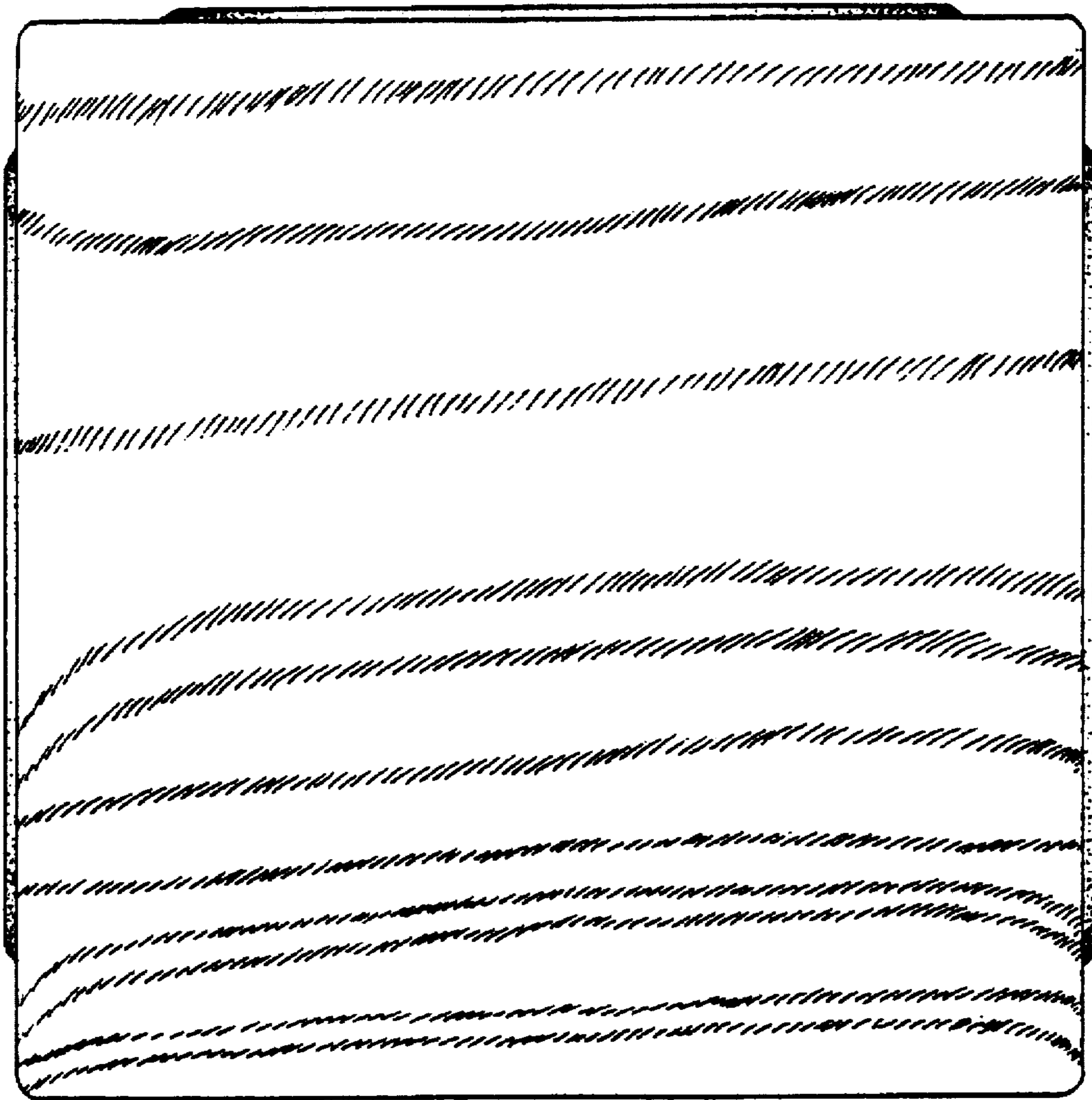


FIG. 6

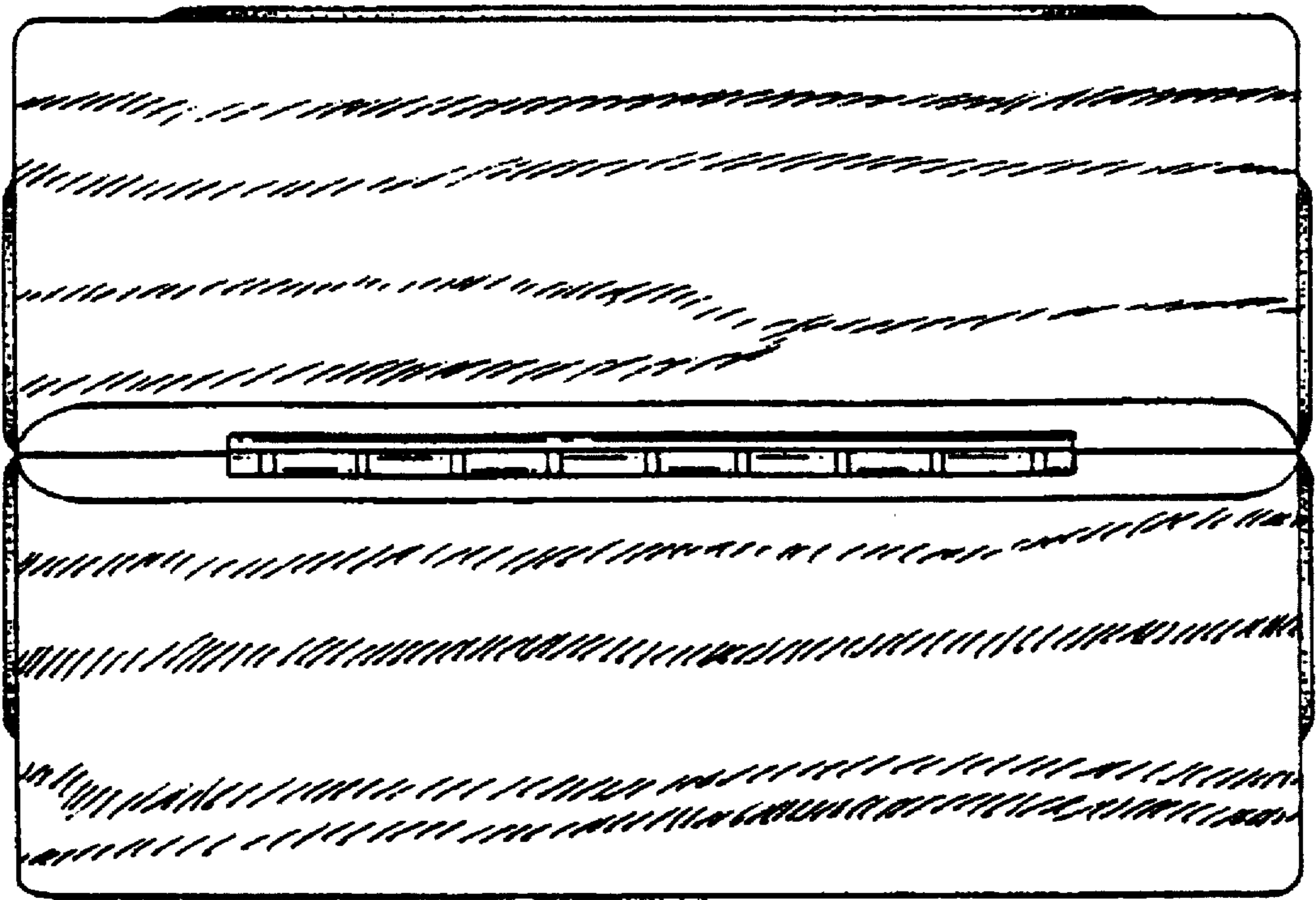


FIG. 7

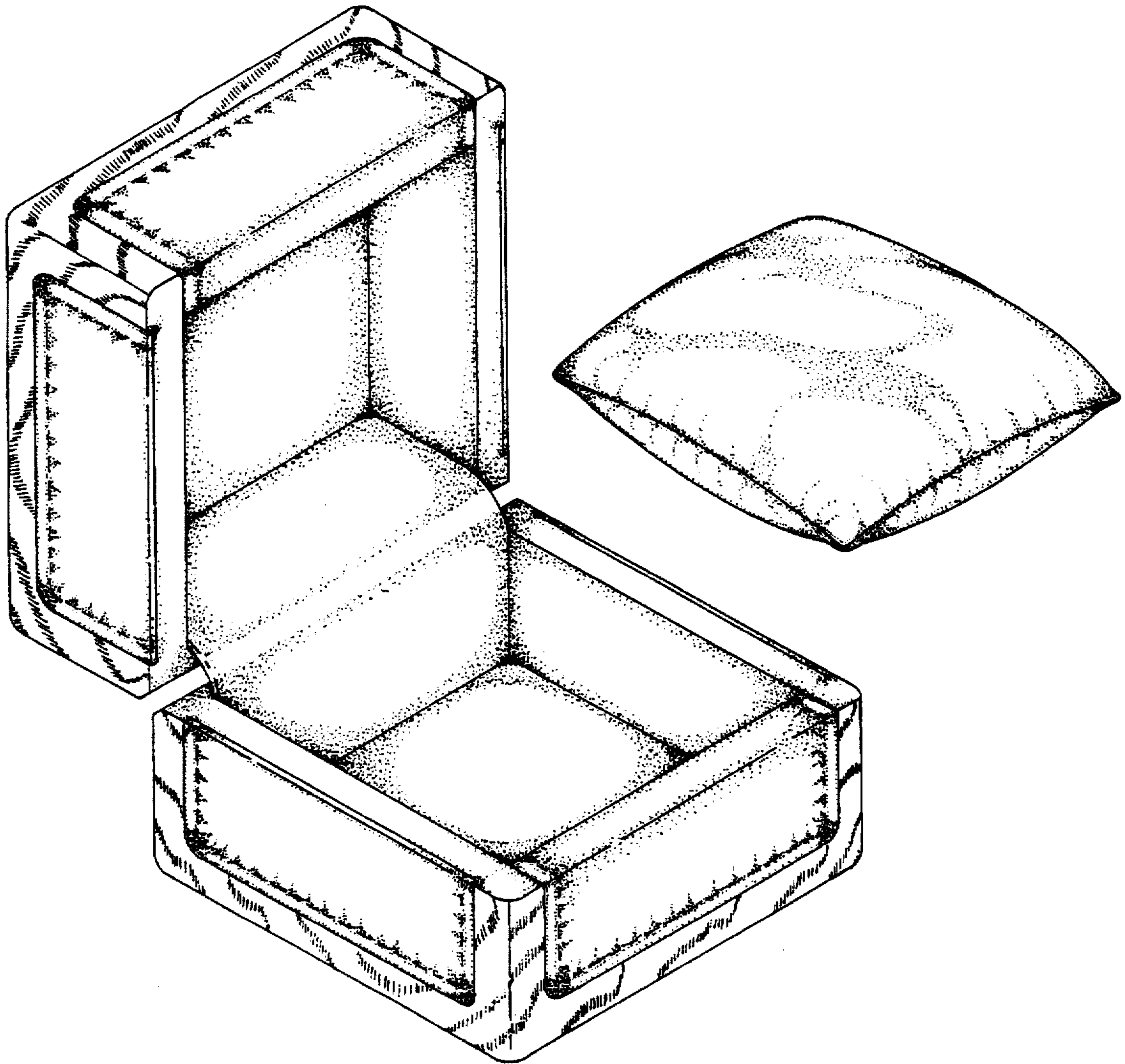


FIG. 8

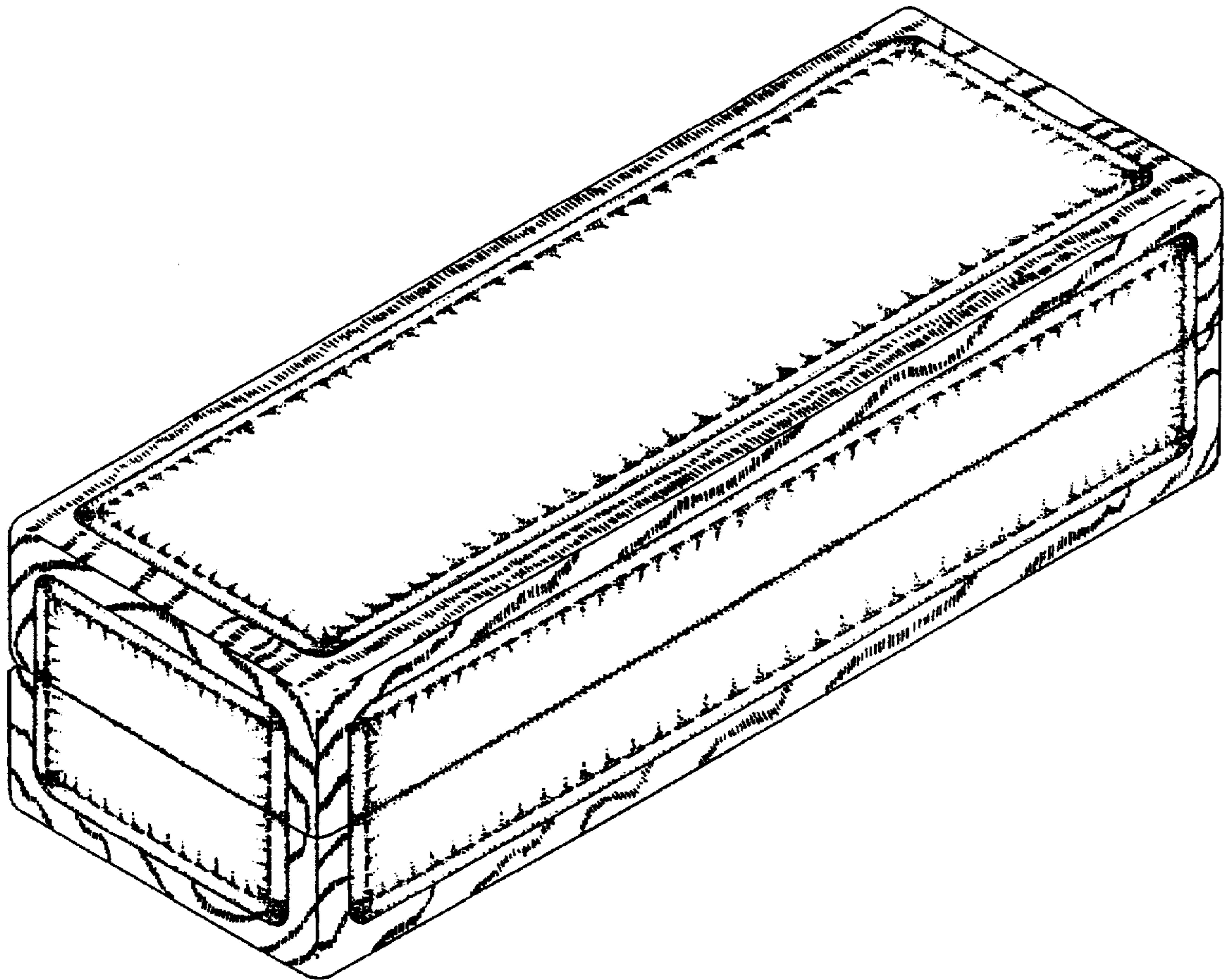


FIG. 9

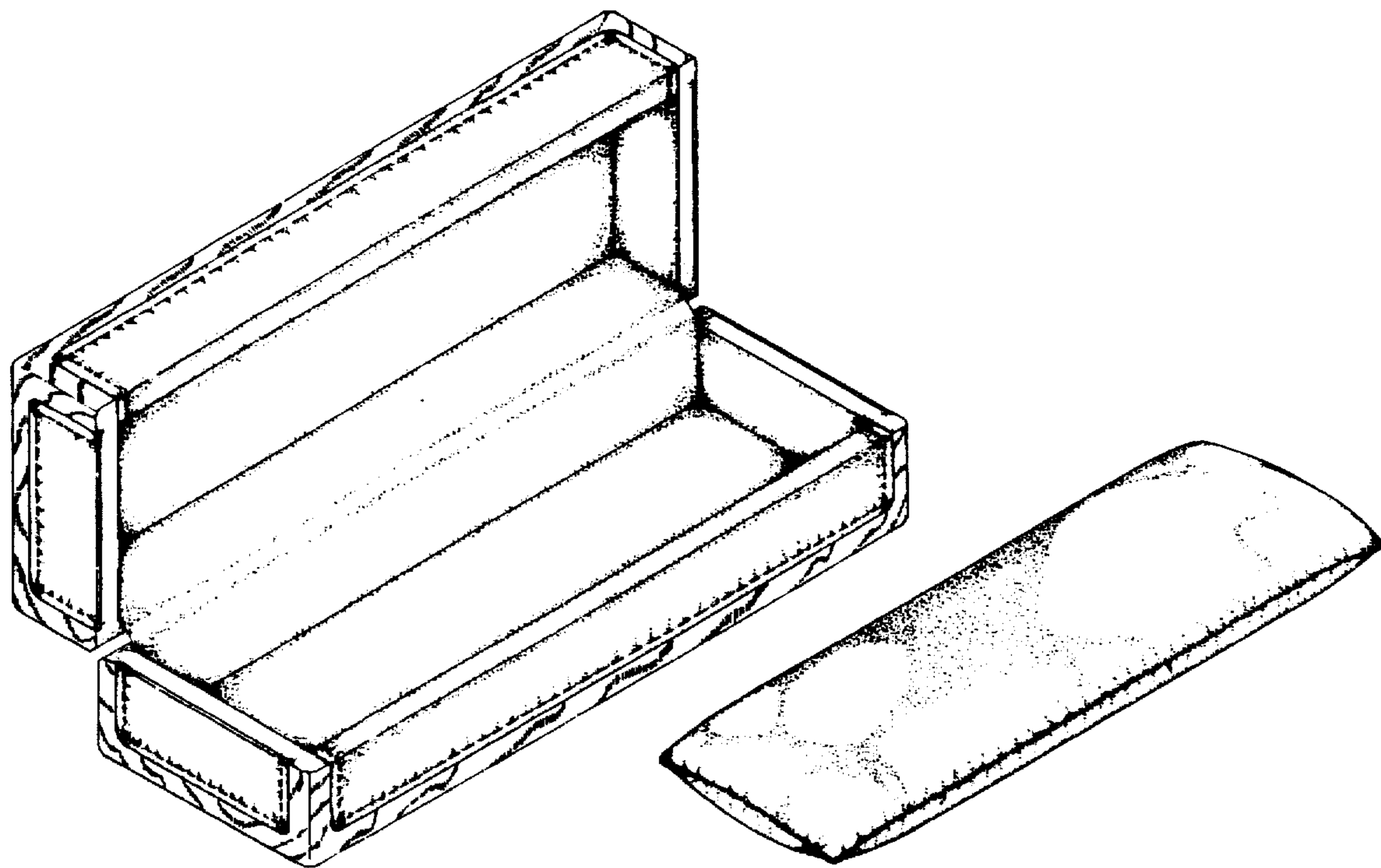


FIG. 10