

US00D408142S

United States Patent [19] Song

[11] Patent Number: Des. 408,142

[45] Date of Patent: **Apr. 20, 1999

[54] CONTAINER FOR TOY ELEMENTS

[75] Inventor: You Hoon Song, Kwang Myung, Rep. of Korea

[73] Assignee: INTERLEGO AG, Baar, Switzerland

[**] Term: 14 Years

[21] Appl. No.: 29/085,806

[22] Filed: Mar. 31, 1998

[51] LOC (6) CL 03-01

[52] U.S. Cl. D3/282; D3/291; D3/276

[58] Field of Search D3/276, 281, 282,
D3/291, 901; 206/315.1, 457; D9/420;
190/100, 115

[56] References Cited

U.S. PATENT DOCUMENTS

D. 301,260	5/1989	McLaughlin et al.	D3/271
D. 328,201	7/1992	Ryaa	D3/282
D. 355,763	2/1995	Sun	D3/276
D. 369,022	4/1996	Sun	D3/276

OTHER PUBLICATIONS

Lego Catalog, Free Style boxes, 1997.

Primary Examiner—Philip S. Hyder
Attorney, Agent, or Firm—Kane, Dalsimer, Sullivan,
Kurucz, Levy, Eisele and Richard, LLP

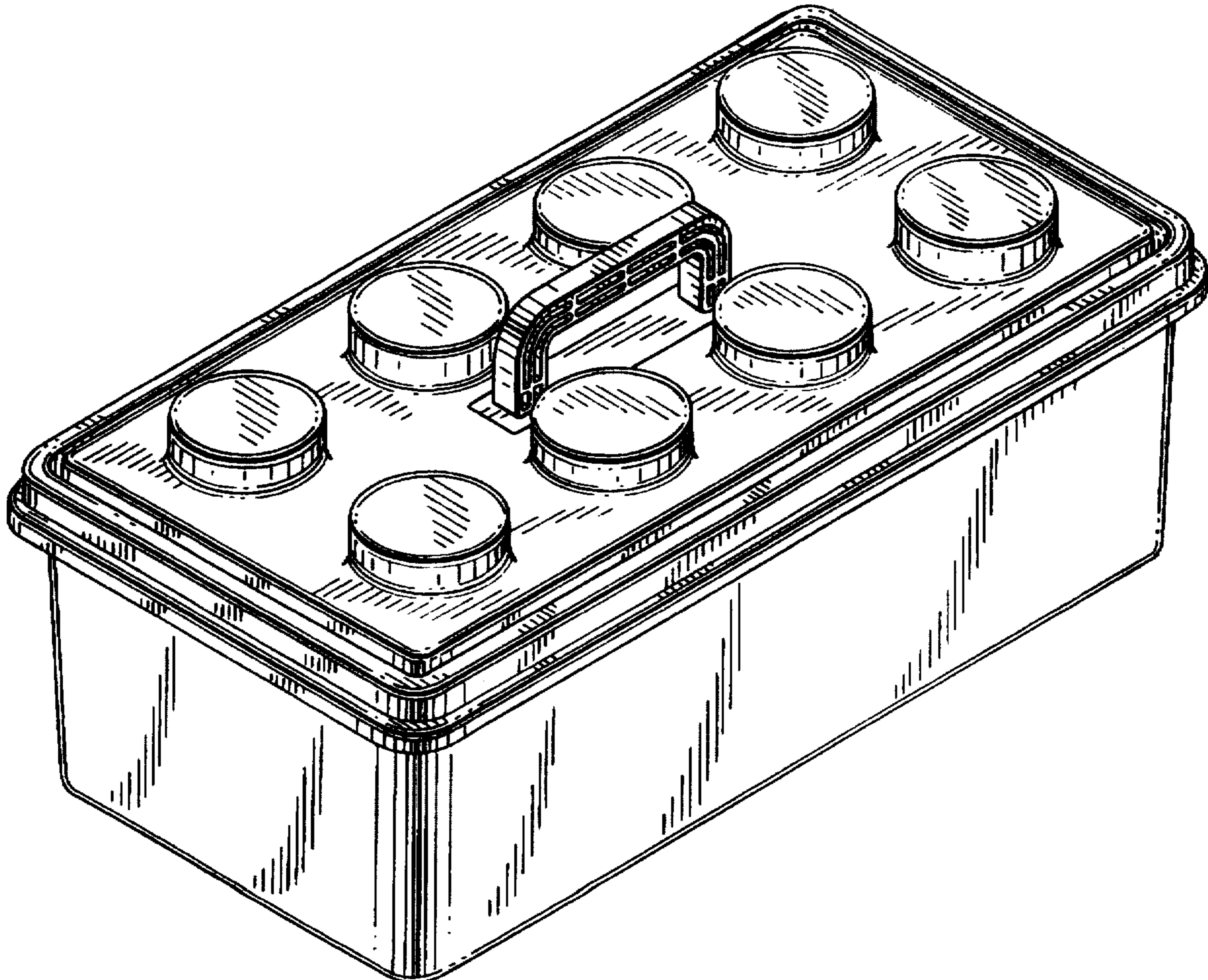
[57] CLAIM

The ornamental design for a container for toy elements, as shown and described.

DESCRIPTION

FIG. 1 is a top perspective view of the container for toy elements
FIG. 2 is a top plan view thereof,
FIG. 3 is a bottom plan view thereof,
FIG. 4 is a side elevational view thereof, the other side being identical,
FIG. 5 is a bottom perspective view thereof; and,
FIG. 6 is a front elevational view thereof, the rear elevational view thereof being identical.

1 Claim, 6 Drawing Sheets



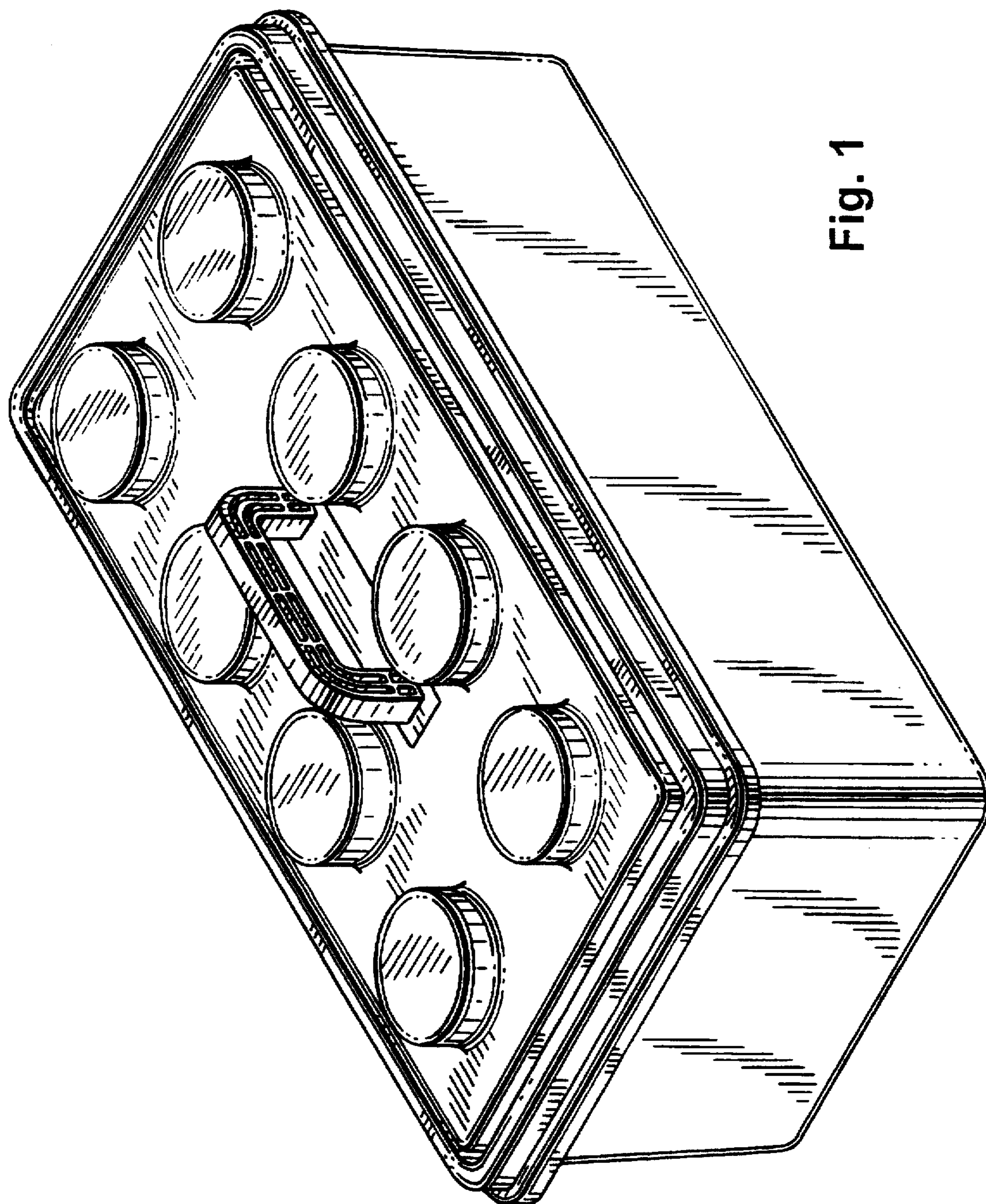


Fig. 1

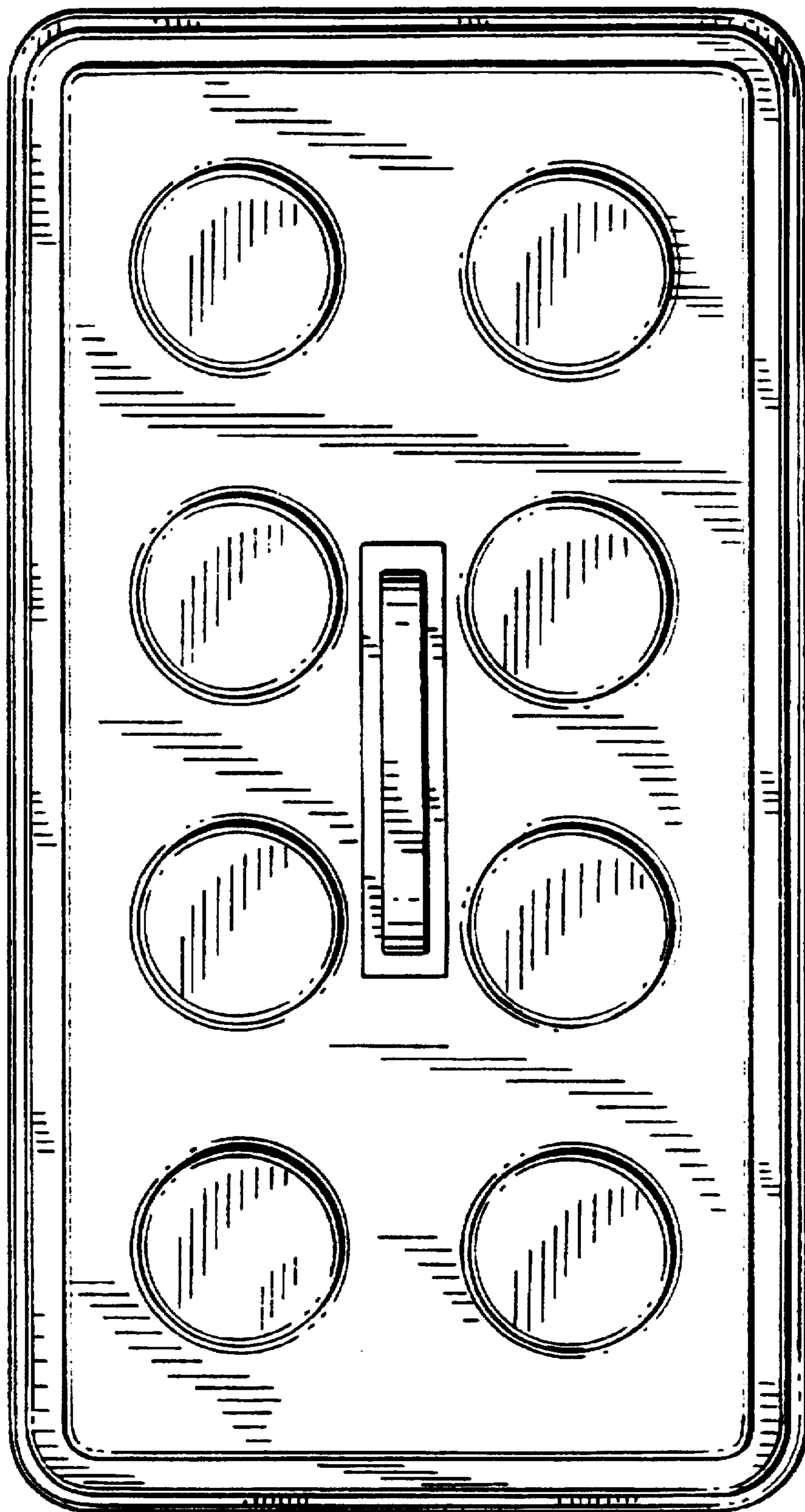


Fig. 2

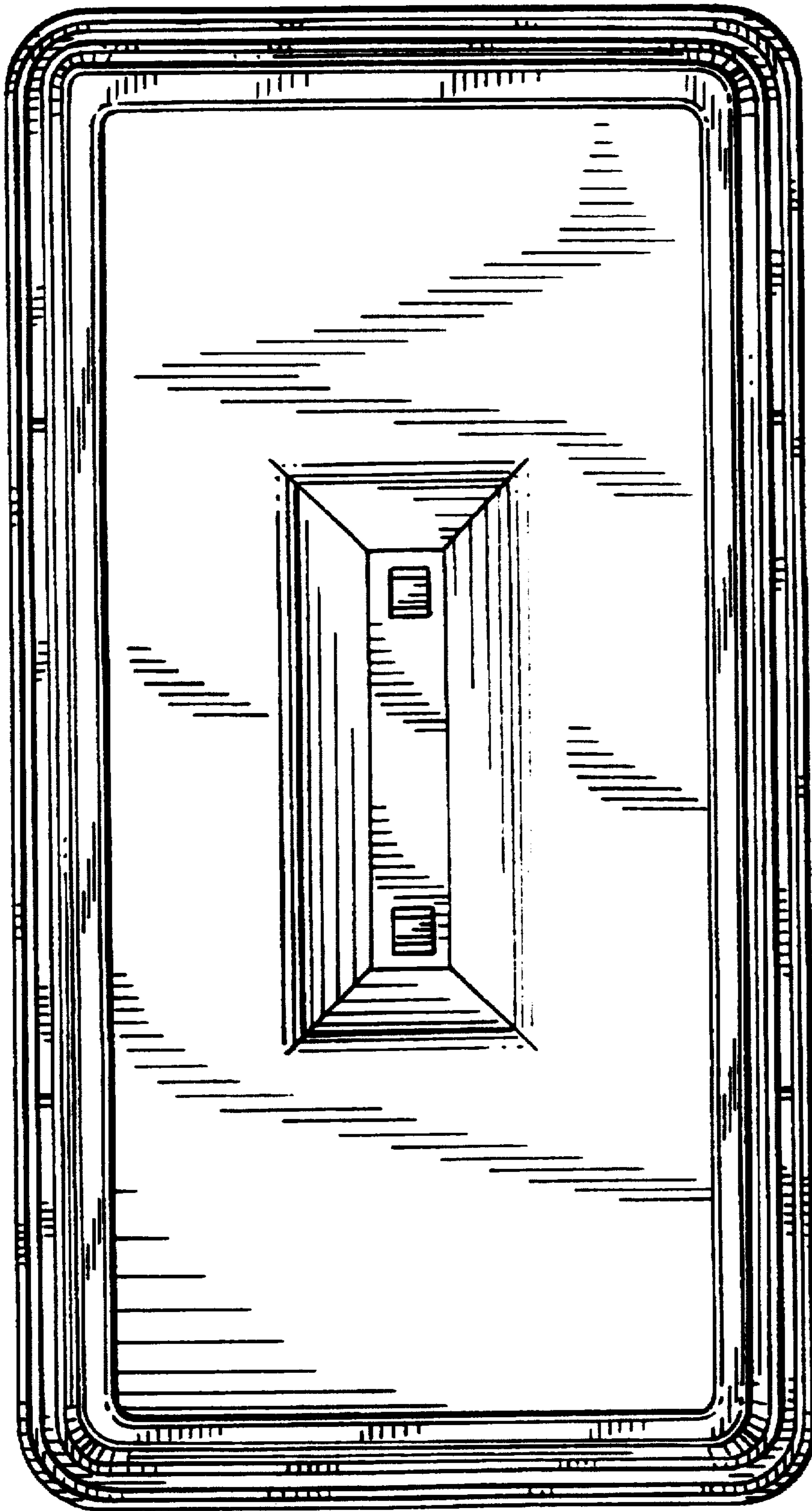


Fig. 3

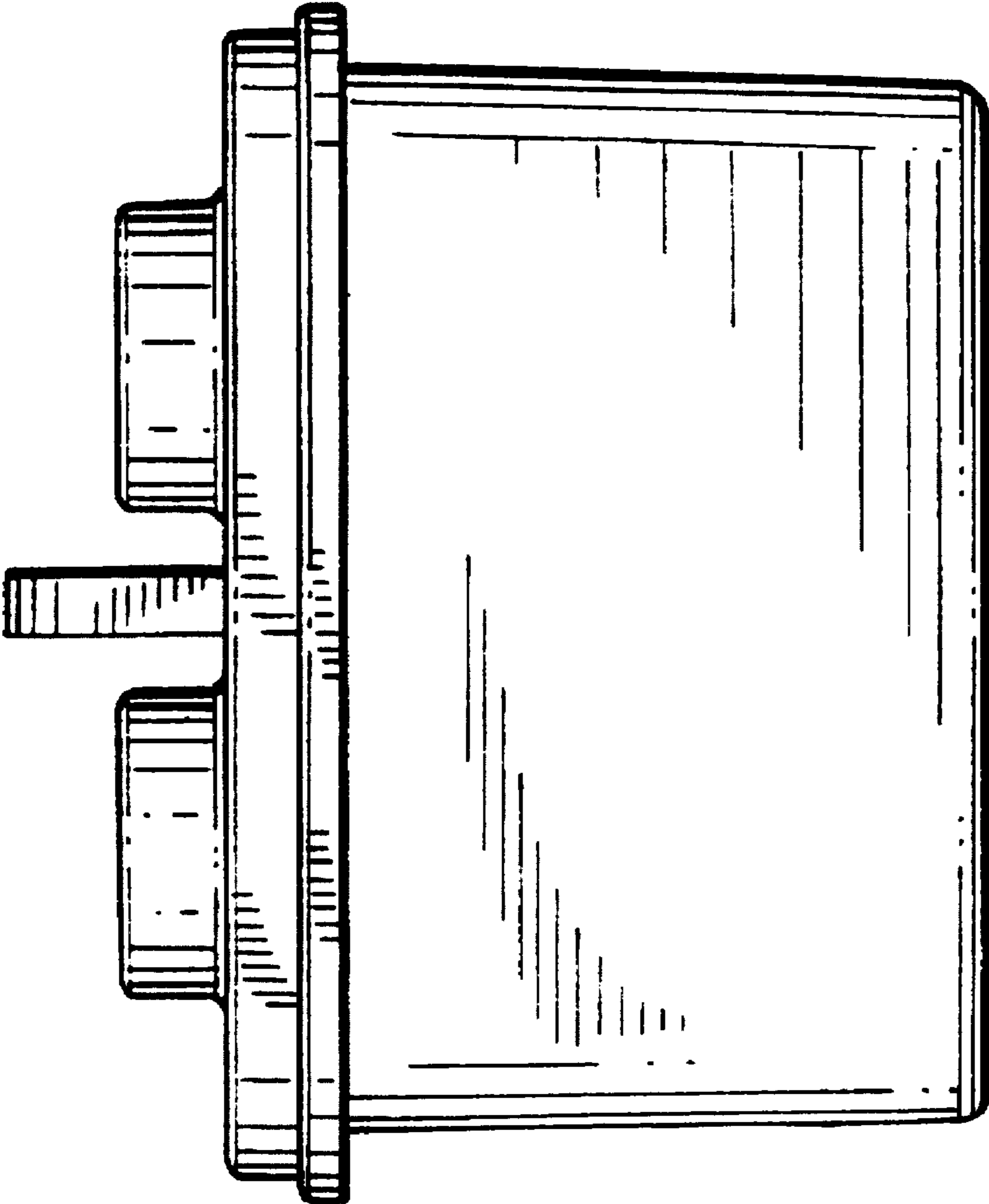


Fig. 4

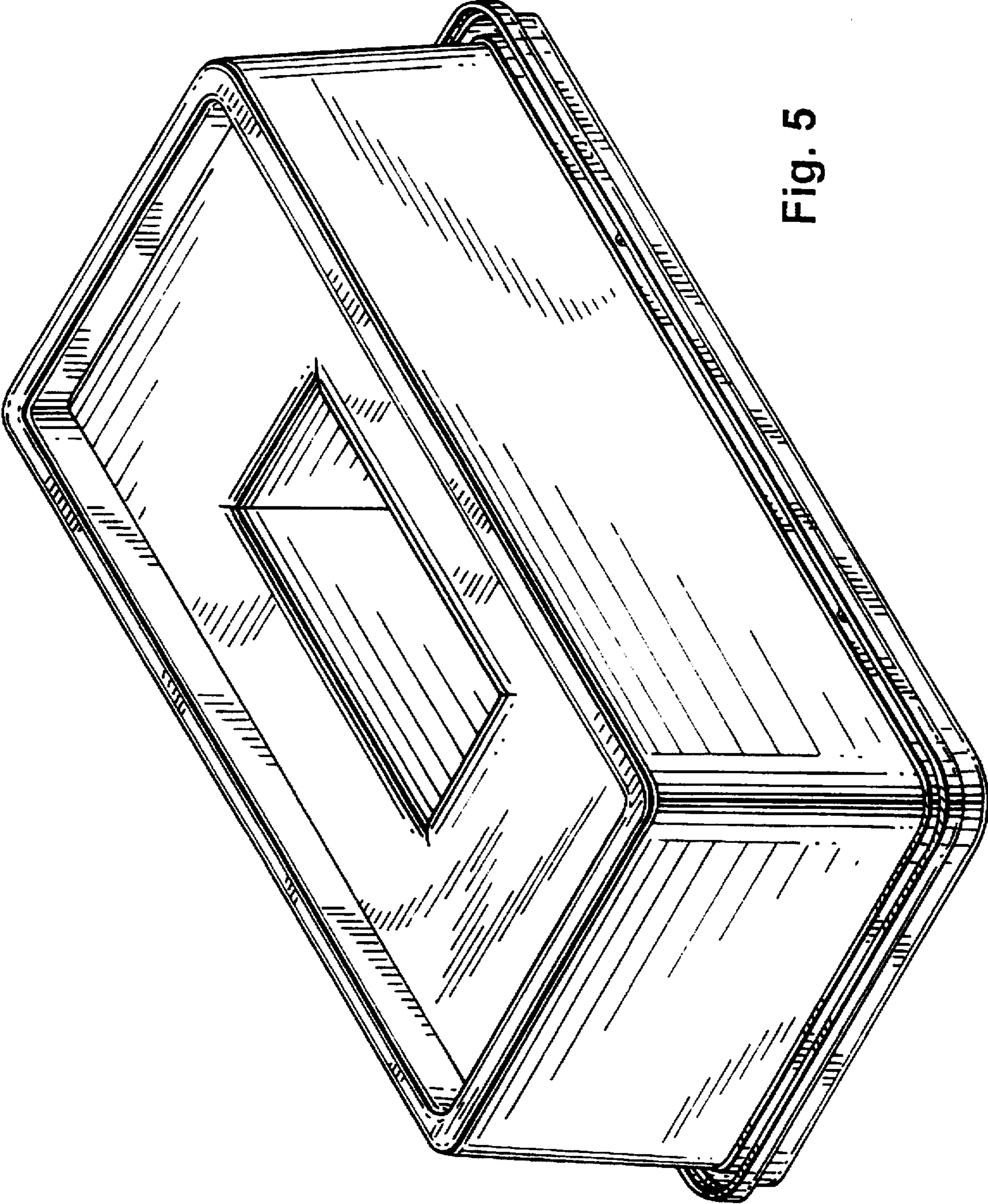


Fig. 5

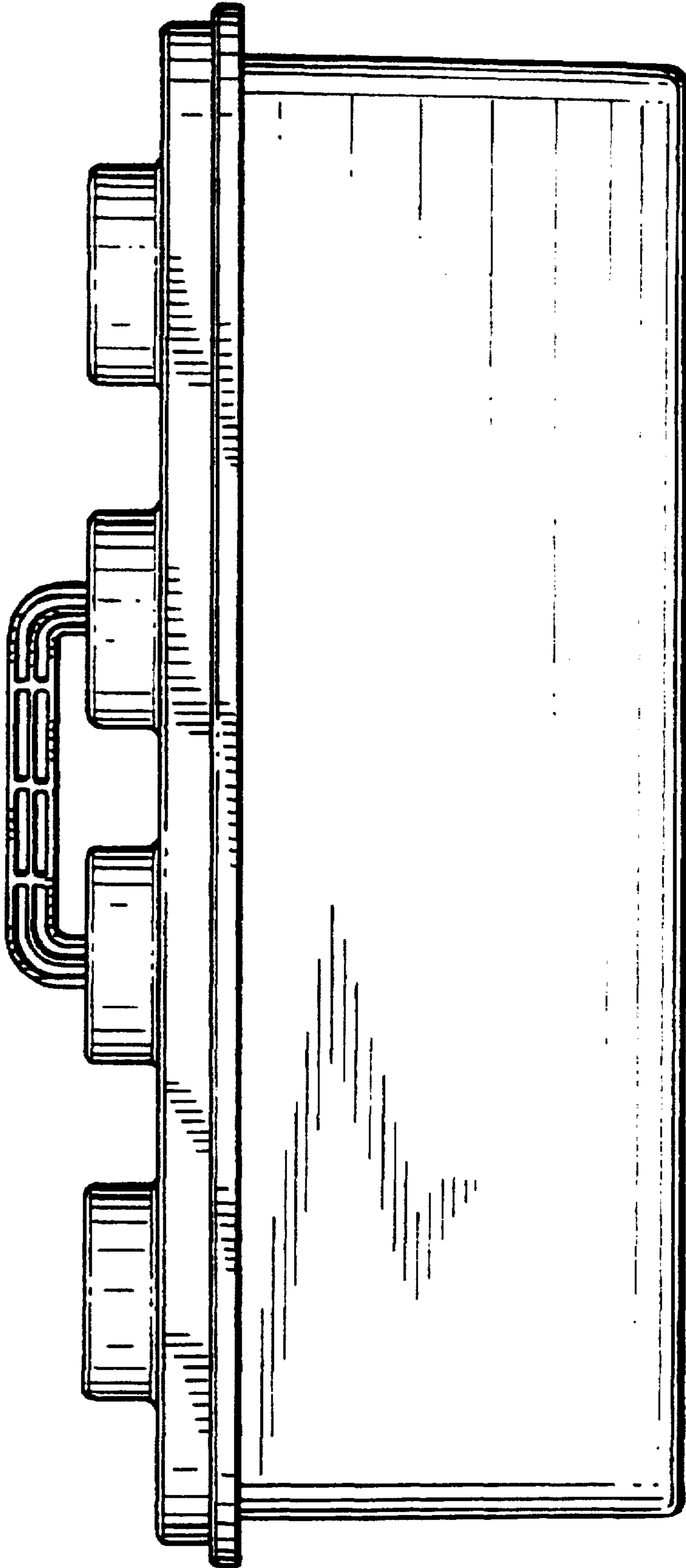


Fig. 6