



US00D408141S

United States Patent [19]

Tatsuhiko

[11] Patent Number: Des. 408,141

[45] Date of Patent: ** Apr. 20, 1999

- [54] TRAVELLING CASE
- [75] Inventor: Maeda Tatsuhiko, Kitamotoshi, Japan
- [73] Assignee: Echolac Co., Ltd., Taipei, Taiwan
- [**] Term: 14 Years
- [21] Appl. No.: 29/084,498
- [22] Filed: Mar. 4, 1998
- [51] LOC (6) Cl. 03-01
- [52] U.S. Cl. D3/279
- [58] Field of Search D3/273, 272, 276,
D3/279, 281, 282, 283; 190/18 A, 110,
111, 112, 113, 114, 115

- D. 352,168 11/1994 Aumasson D3/279
- D. 352,826 11/1994 Rao D3/276
- D. 373,246 9/1996 Stokes et al. D3/279
- 4,928,800 5/1990 Green et al. 190/18 A
- 5,111,918 5/1992 Bako et al. 190/18 A

Primary Examiner—Philip S. Hyder
Attorney, Agent, or Firm—Ezra Sutton

[57] CLAIM

The ornamental design for a travelling case, as shown.

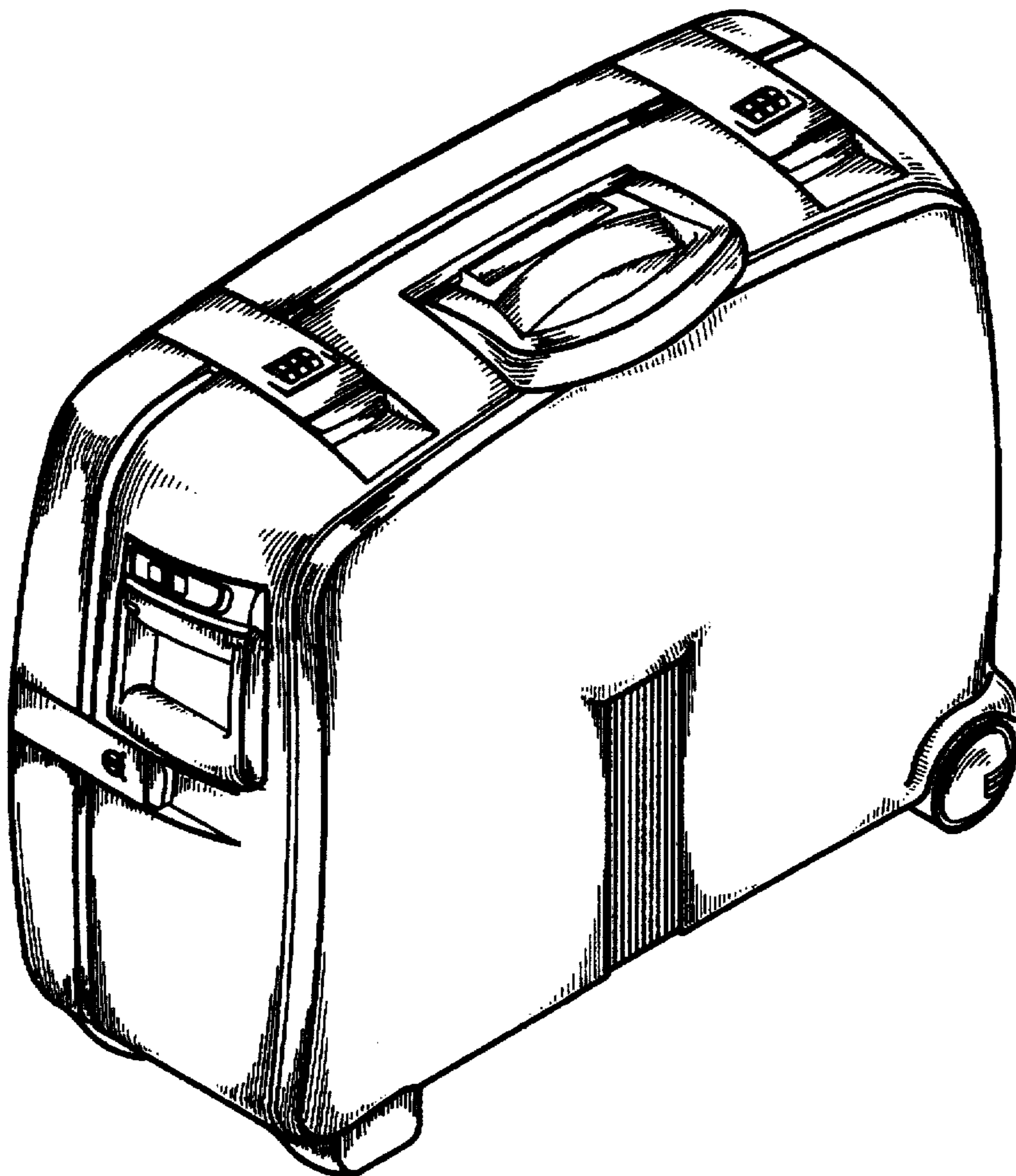
DESCRIPTION

FIG. 1 is a top view;
 FIG. 2 is a bottom view;
 FIG. 3 is a front elevational view;
 FIG. 4 is a rear elevational view;
 FIG. 5 is a left side view;
 FIG. 6 is a right side view;
 FIG. 7 is a perspective view; and
 FIG. 8 is another perspective view with a pulling stripe of the travelling case extended.

[56] **References Cited**
 U.S. PATENT DOCUMENTS

- D. 330,457 10/1992 Hsieh D3/279
- D. 331,661 12/1992 Roncato D3/279
- D. 333,914 3/1993 Van Hove et al. D3/279
- D. 337,434 7/1993 Fukuda D3/279
- D. 348,780 7/1994 Masaru D3/279

1 Claim, 5 Drawing Sheets



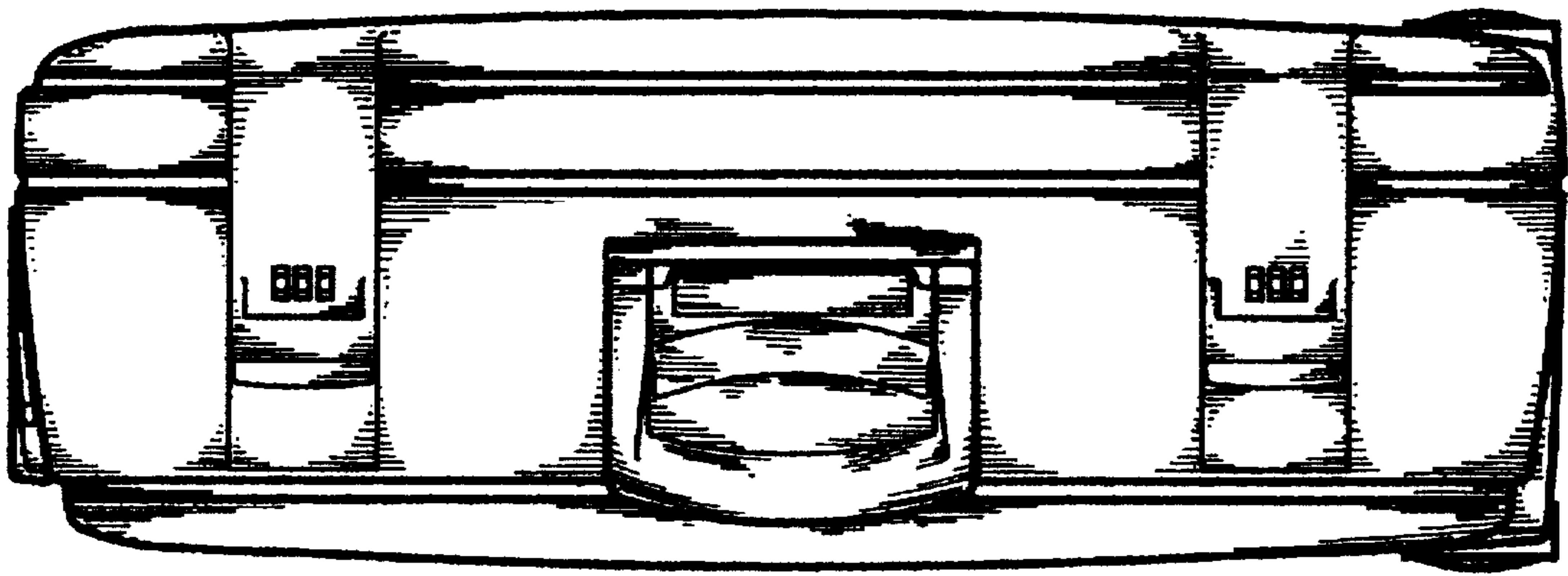


FIG. 1

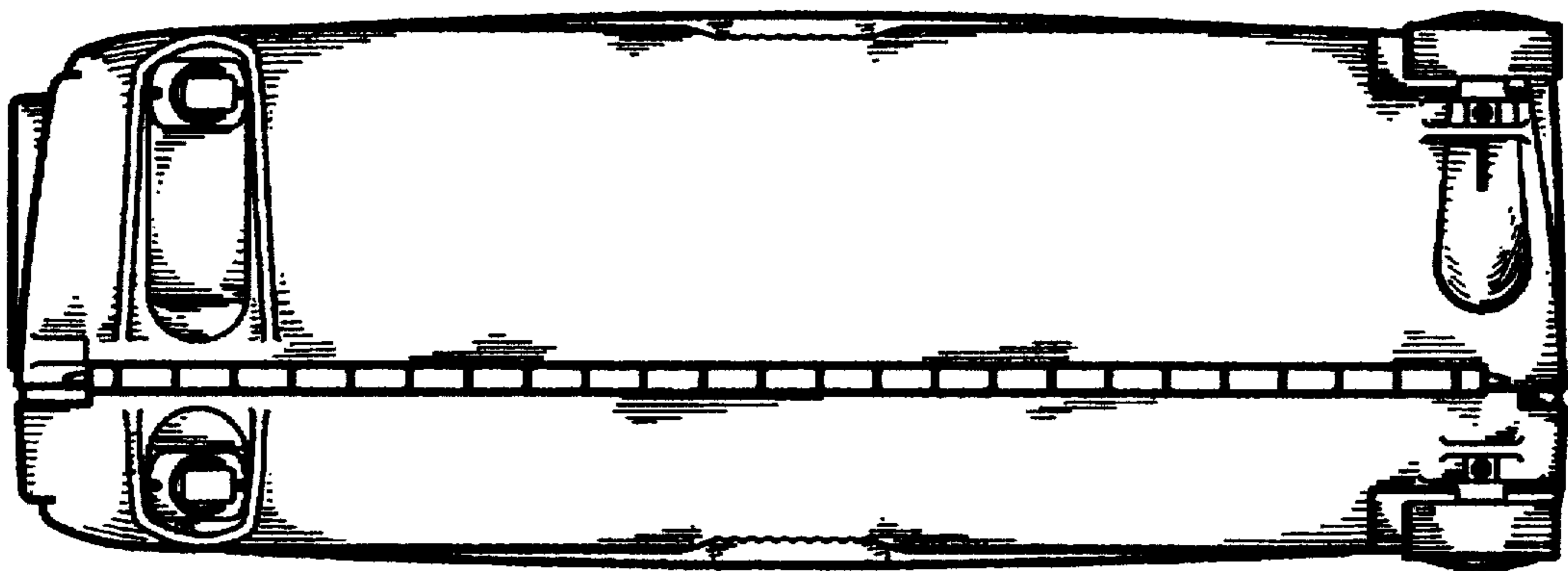


FIG. 2

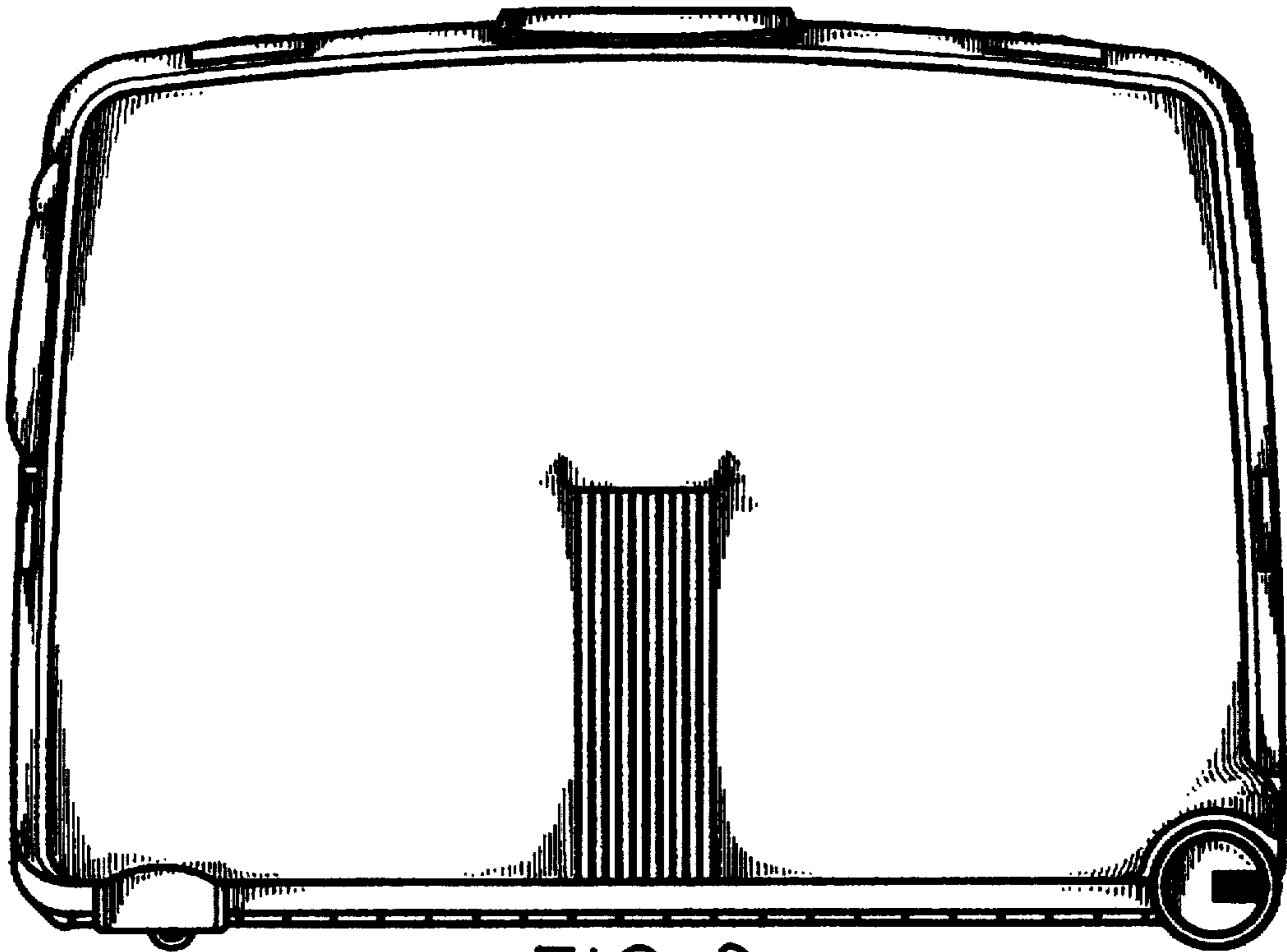


FIG. 3

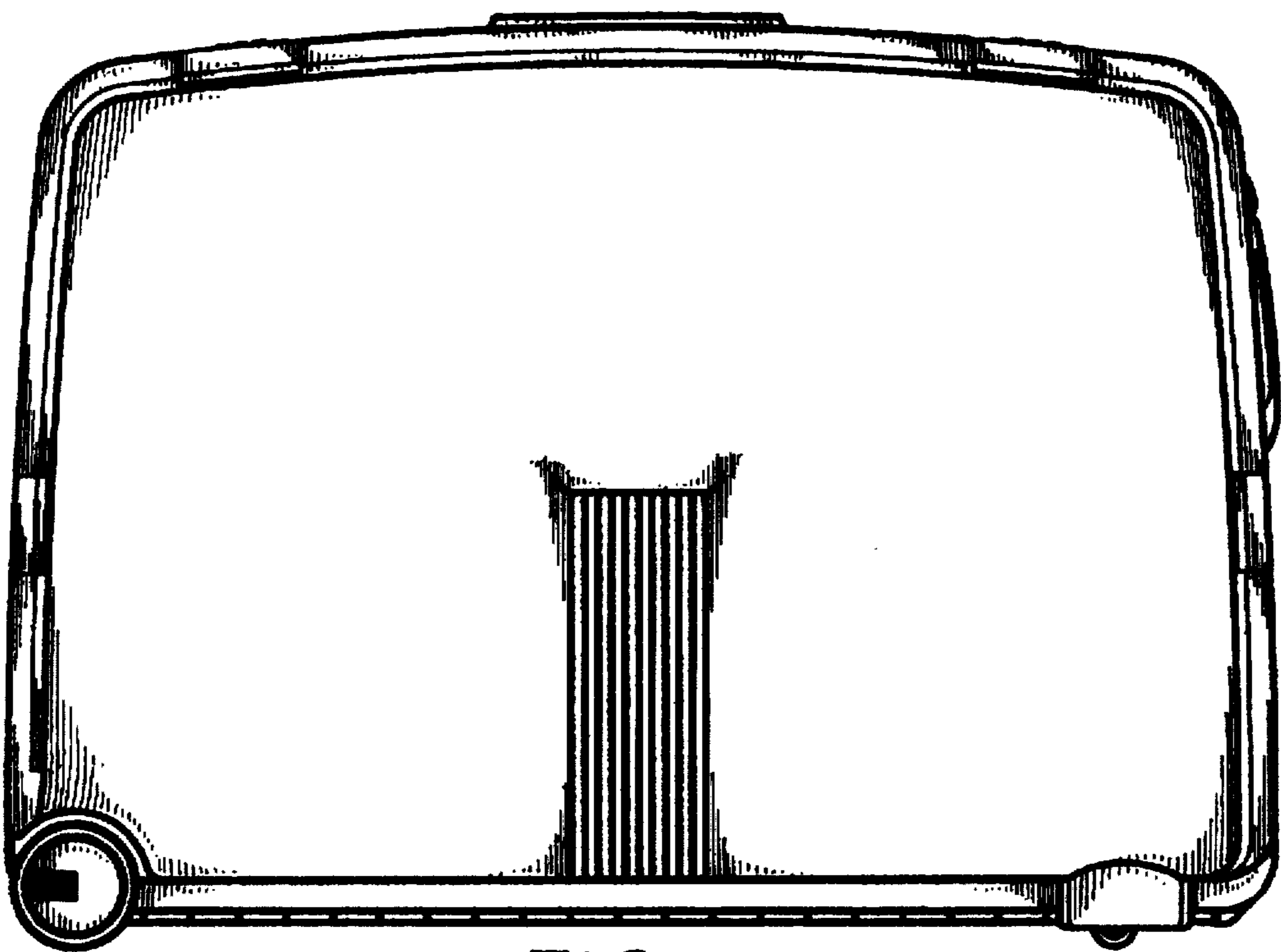


FIG. 4

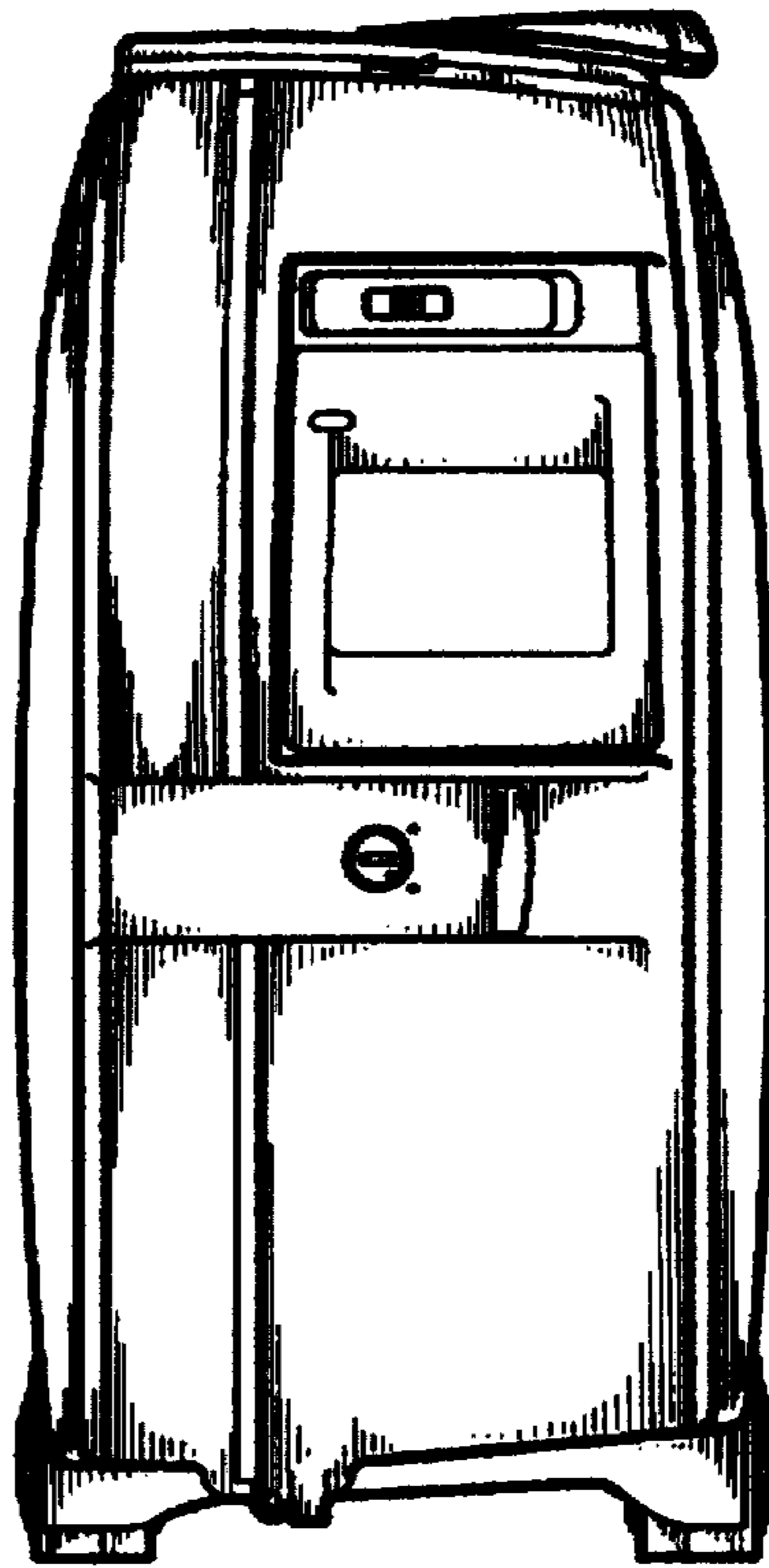


FIG. 5

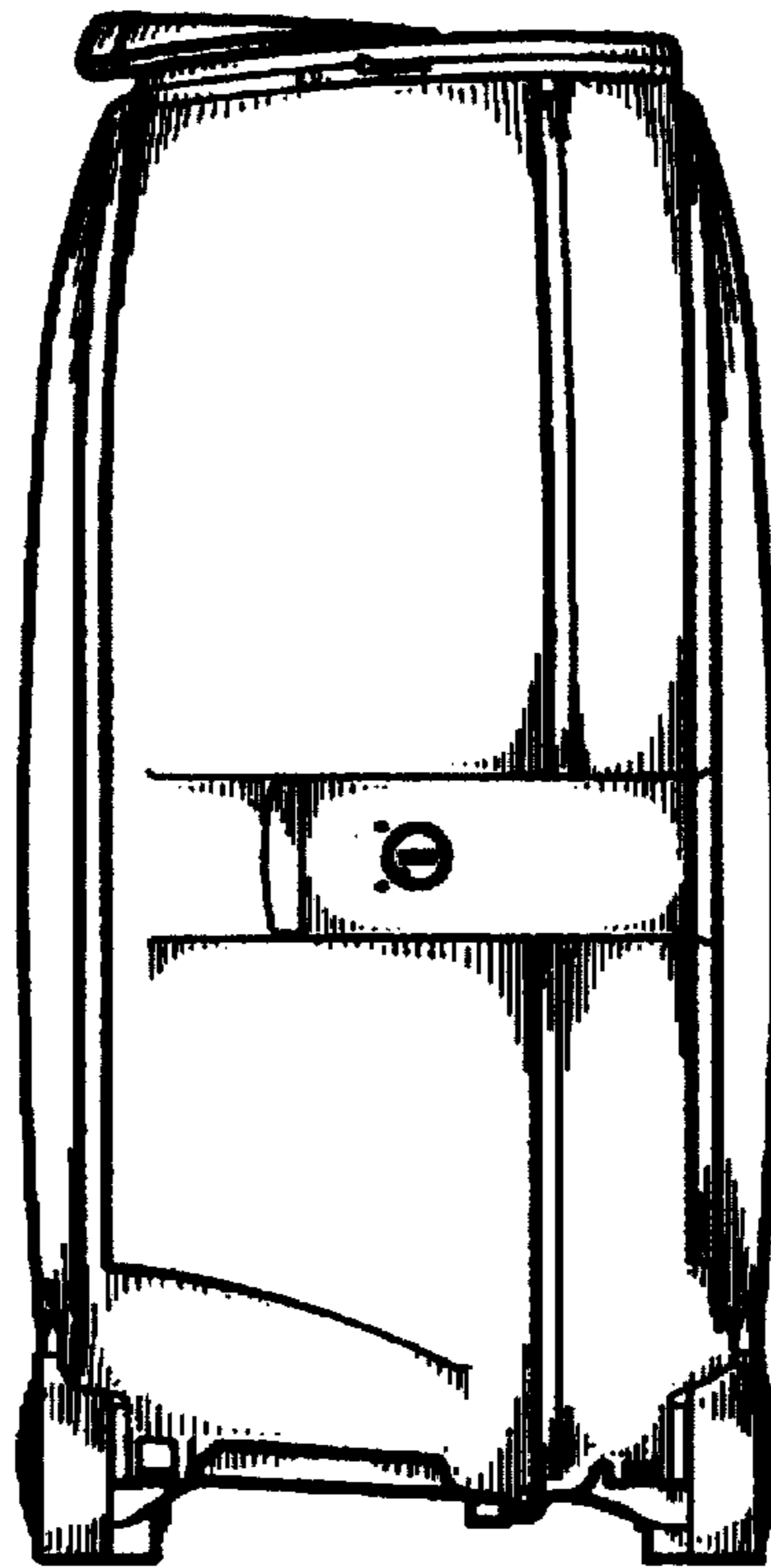


FIG. 6

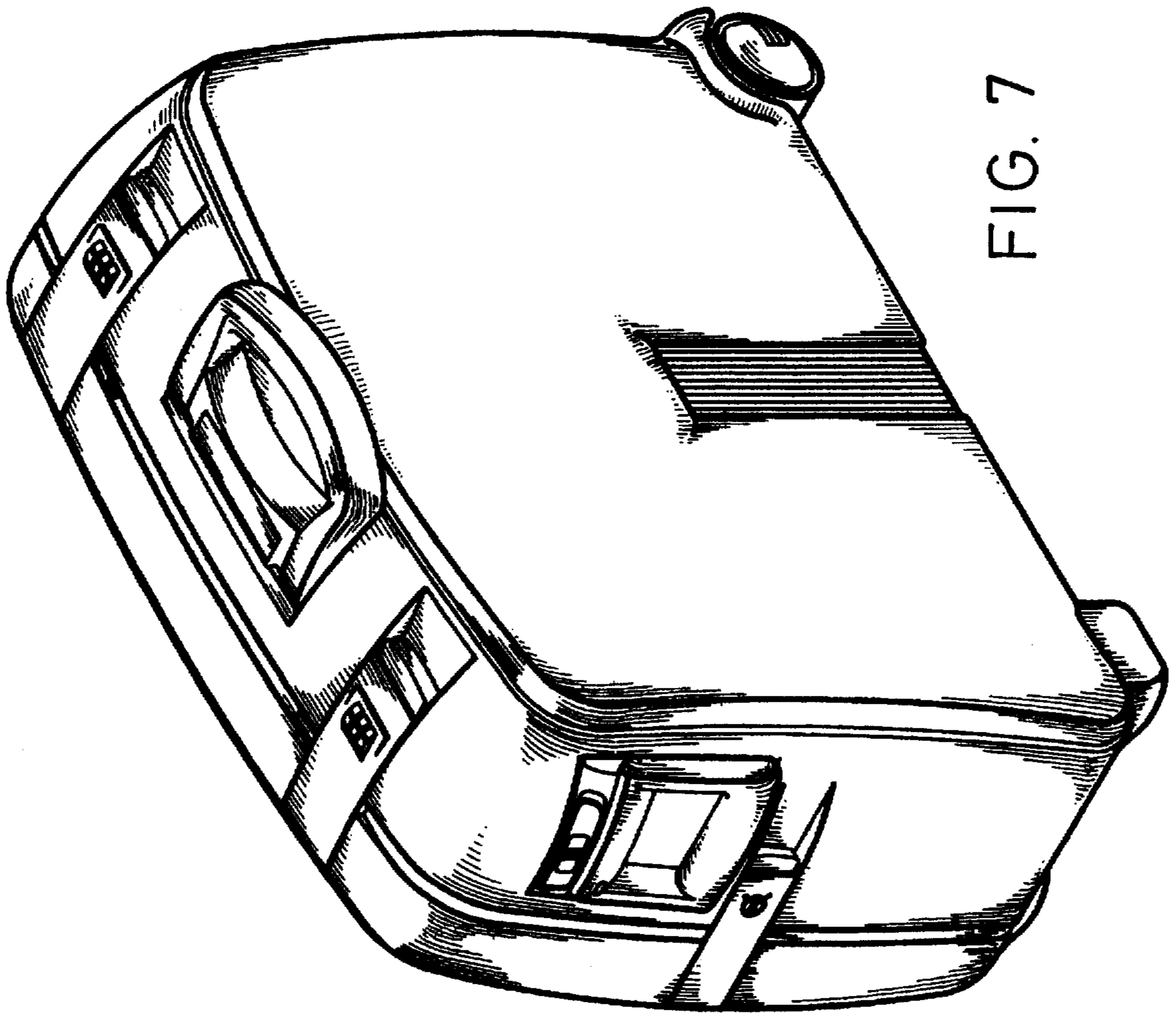


FIG. 7

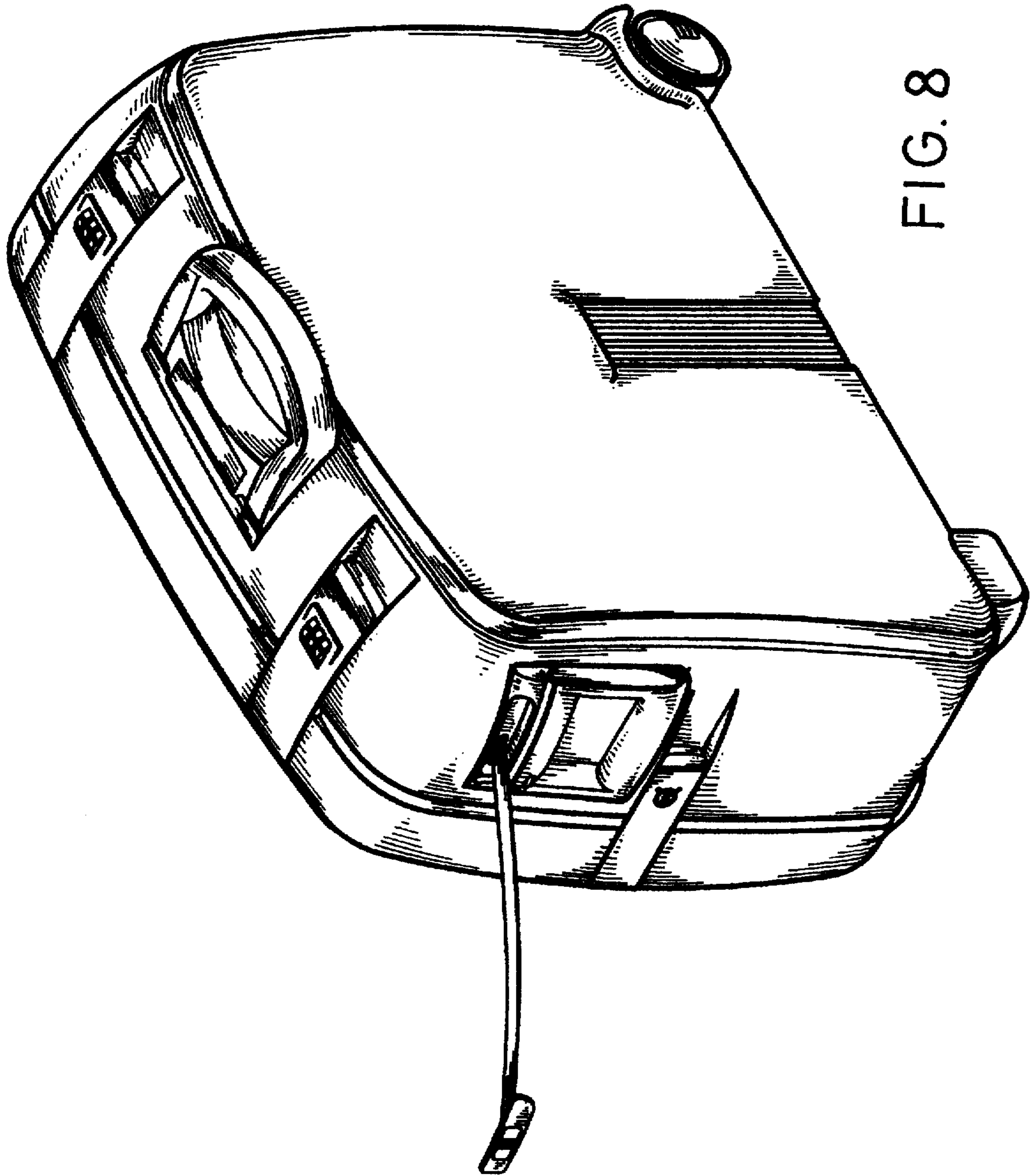


FIG. 8