



US00D408130S

United States Patent [19]

Sherman

[11] Patent Number: Des. 408,130

[45] Date of Patent: **Apr. 20, 1999

[54] **PORTION OF A MAKE-UP PLANNER**

3,351,064 11/1967 Cohn 383/40
4,720,012 1/1988 Dufour 150/113

[75] Inventor: Patricia McEvoy Sherman, New York, N.Y.

Primary Examiner—Louis S. Zarfes
Assistant Examiner—Monica A. Weingart
Attorney, Agent, or Firm—Kenyon & Kenyon

[73] Assignee: Trish McEvoy, Ltd., New York, N.Y.

[**] Term: 14 Years

[57] **CLAIM**

[21] Appl. No.: 29/080,992

The ornamental design for a portion of a make-up planner, as shown and described.

[22] Filed: Dec. 22, 1997

DESCRIPTION

[51] LOC (6) Cl. 03-01

[52] U.S. Cl. D3/205; D7/201; D3/901

[58] Field of Search D3/201, 205, 901;
150/104, 113; 190/901; 206/6, 216; 383/40,
907

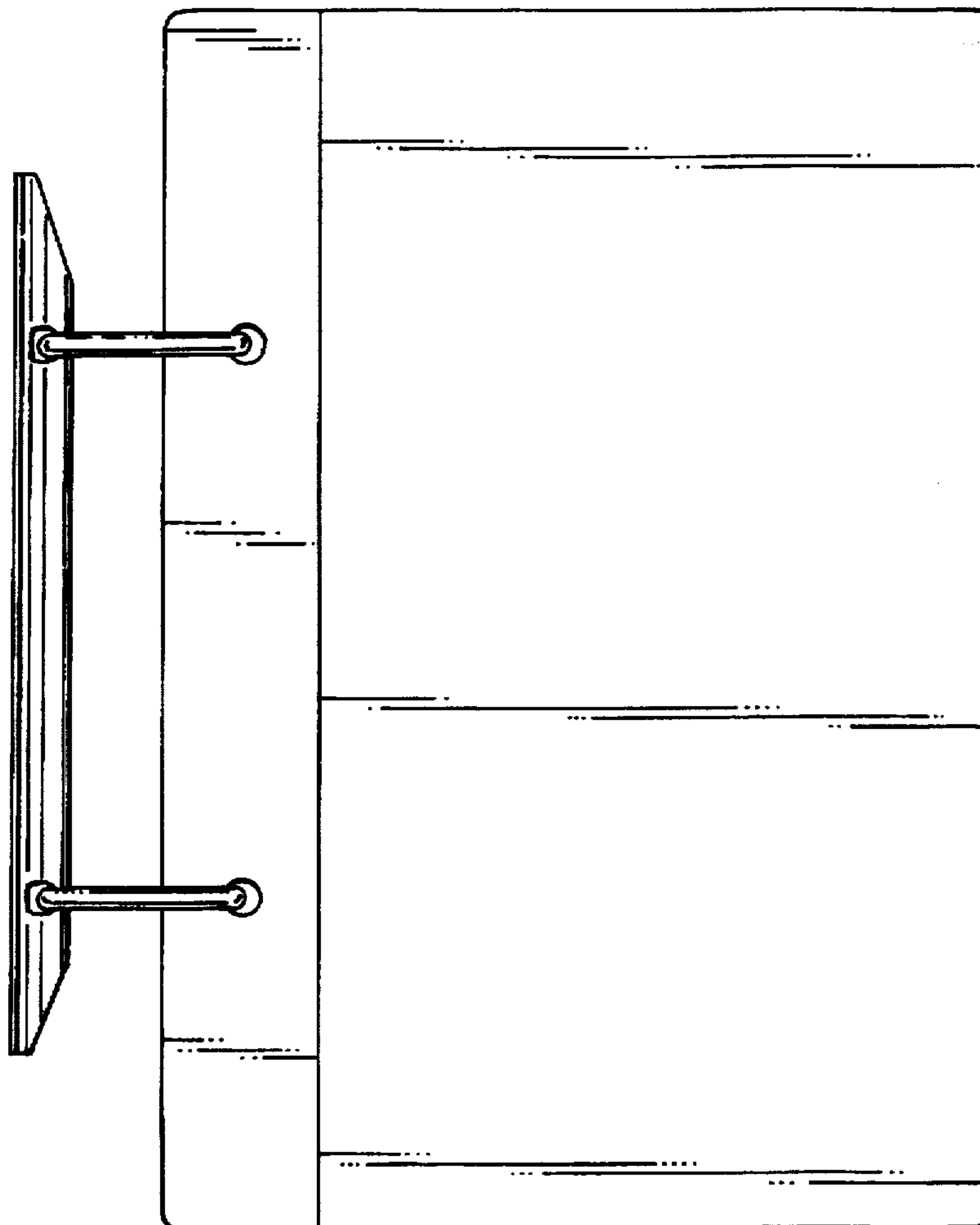
FIG. 1 is a perspective view of a portion of a make-up planner with an insert showing my new design;
FIG. 2 is a right side elevational view of the insert for the portion of a make-up planner of FIG. 1;
FIG. 3 is a bottom plan view of the insert of FIG. 2;
FIG. 4 is a front elevational view of the insert of FIG. 2; and,
FIG. 5 is a rear elevational view of the insert of FIG. 2.
The broken line showing of a binder in FIG. 1 is for illustrative purposes only and forms no part of the claimed design.

[56] **References Cited**

U.S. PATENT DOCUMENTS

D. 385,694	11/1997	Magnussen	D3/201 X
2,495,687	1/1950	Belmont	206/216
2,502,275	3/1950	Perlin	190/901
2,778,397	1/1957	Carrasco	190/901

1 Claim, 3 Drawing Sheets



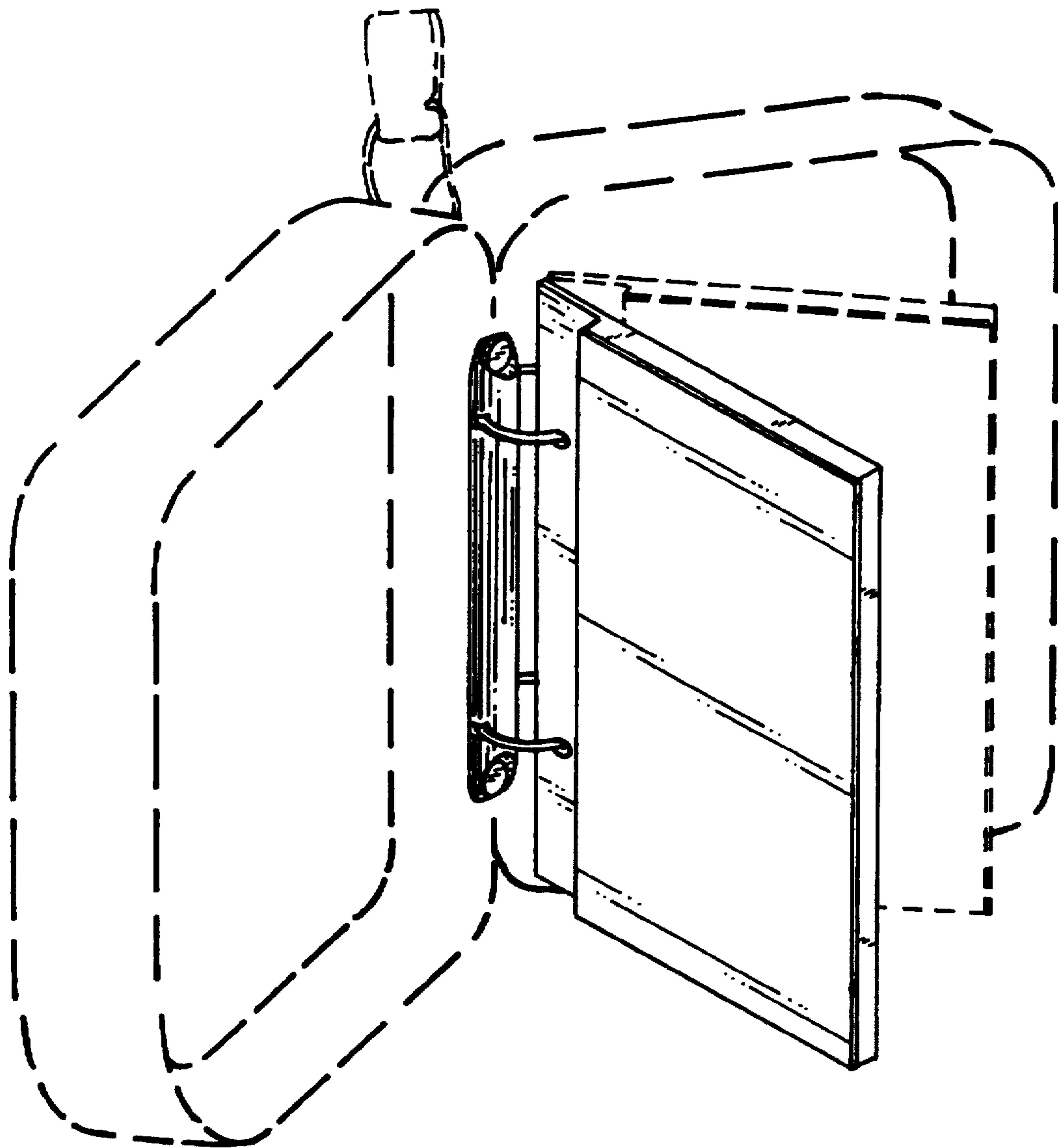


FIG. 1

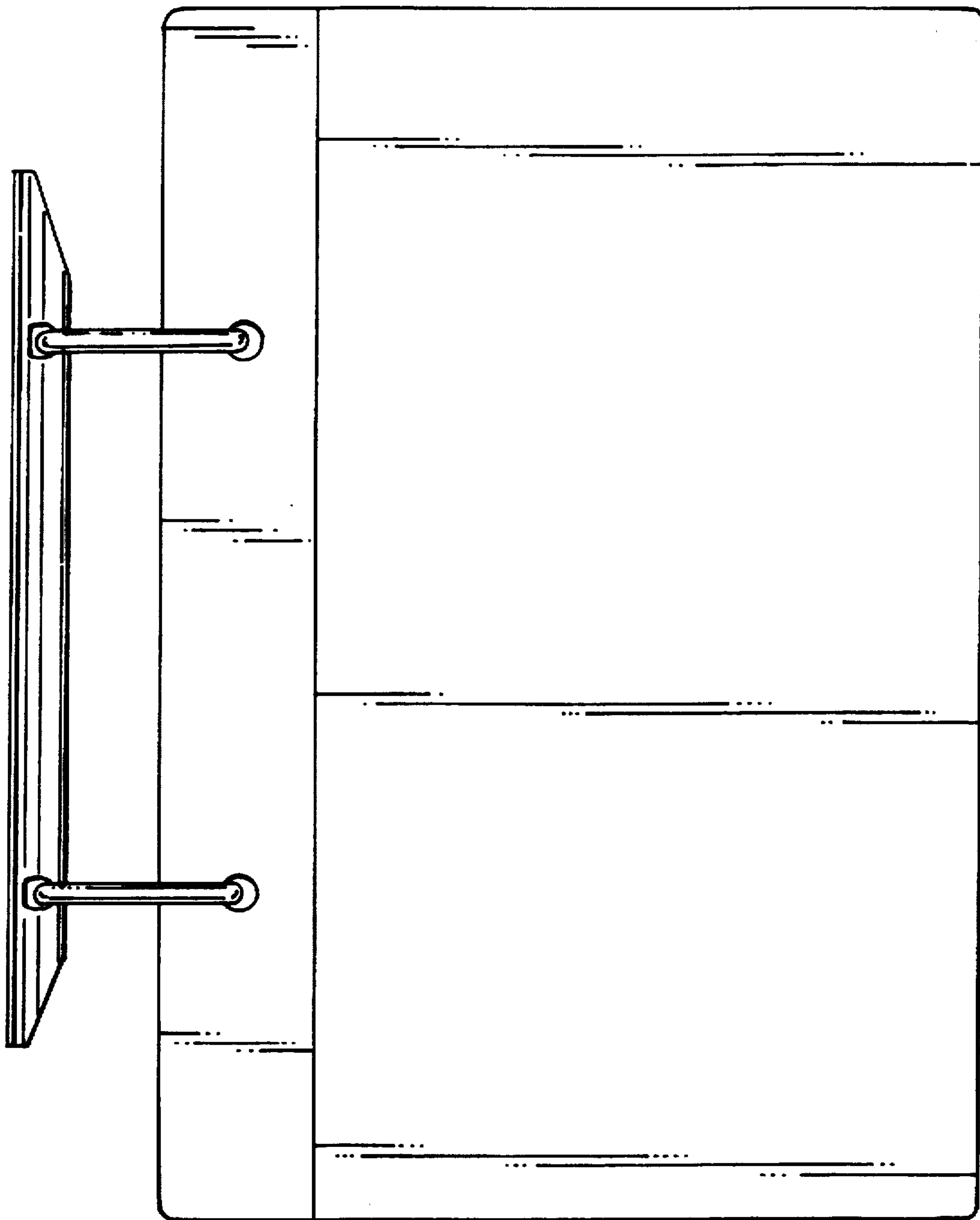


FIG. 2

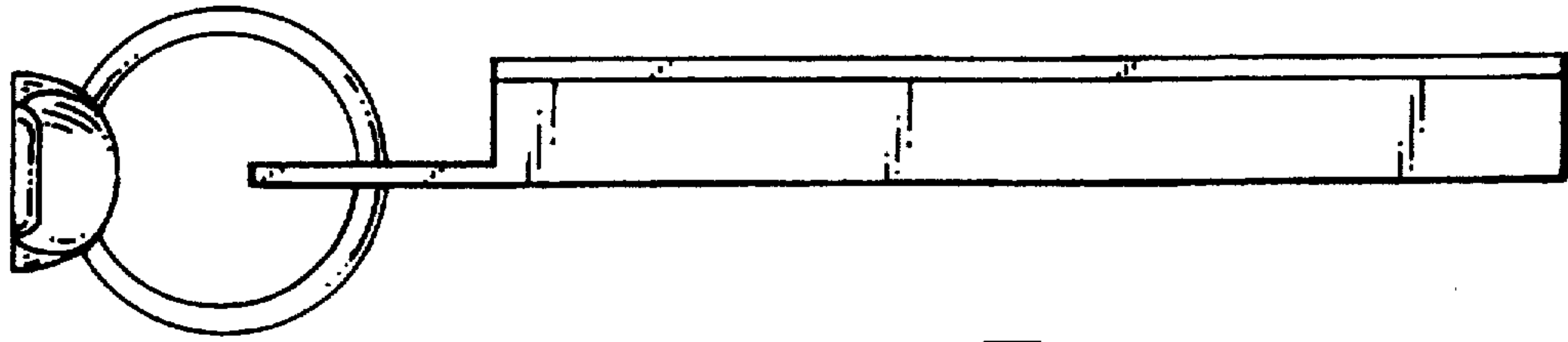


FIG. 3

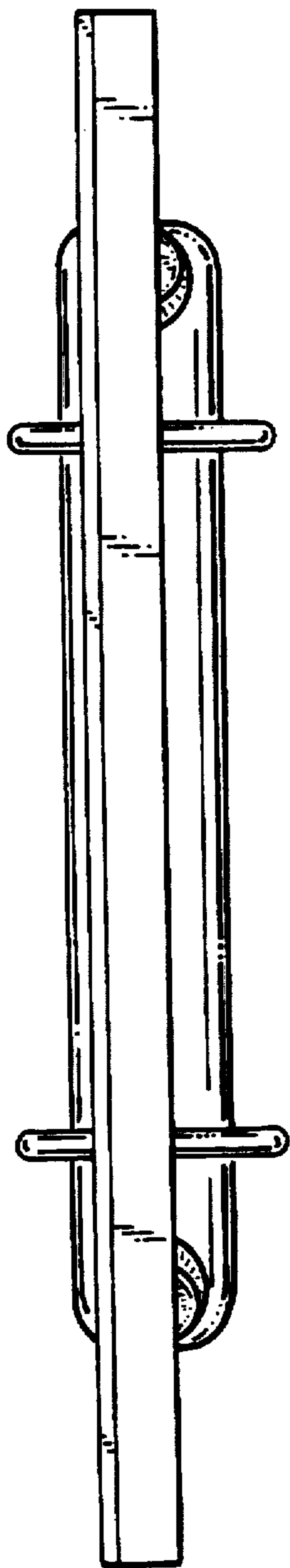


FIG. 4

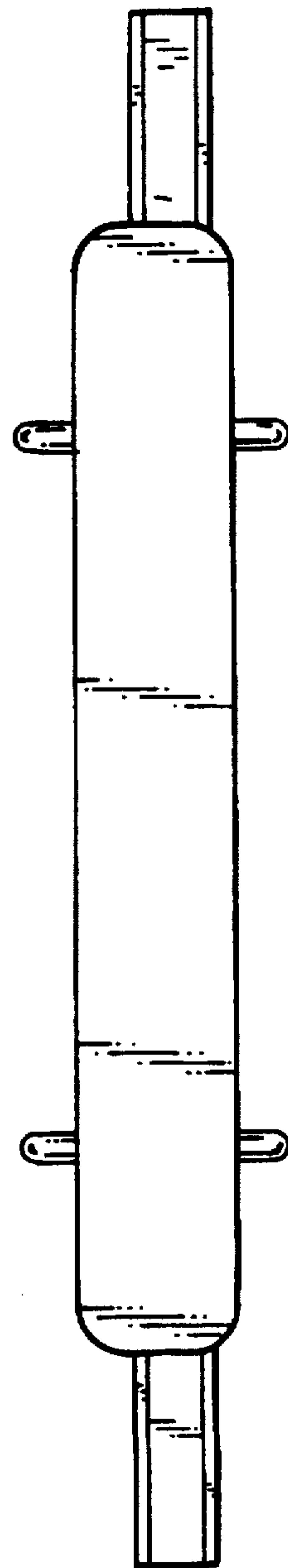


FIG. 5