



US00D408116S

United States Patent [19]
Gale

[11] **Patent Number: Des. 408,116**
[45] **Date of Patent: **Apr. 20, 1999**

[54] **BELT**
[75] **Inventor: Mary Frances Gale, Brookvale, Australia**
[73] **Assignee: Bambach Saddle Seat Pty, Ltd, Brookvale, Australia**
[**] **Term: 14 Years**

4,509,214	4/1985	Shoa	2/322
4,545,370	10/1985	Welsh	2/338
4,782,535	11/1988	Yewer, Jr. et al.	2/338
4,964,401	10/1990	Taigen	2/338
5,036,864	8/1991	Yewer, Jr.	2/338
5,316,022	5/1994	Schiek, Sr.	2/338
5,388,274	2/1995	Glover et al.	2/338 X
5,407,422	4/1995	Matthijs et al.	2/338
5,432,951	7/1995	Yewer, Jr.	2/338

[21] **Appl. No.: 29/083,951**
[22] **Filed: Feb. 20, 1998**
[30] **Foreign Application Priority Data**

Aug. 22, 1997 [GB] United Kingdom 2068544

[51] **LOC (6) Cl. 02-07**
[52] **U.S. Cl. D2/627; D2/624**
[58] **Field of Search D2/624, 627, 628; 2/311, 338, 300; D21/692, 805; 473/217; D24/143, 190; D29/100, 101**

[56] **References Cited**

U.S. PATENT DOCUMENTS

D. 352,114	11/1994	Nicholson	D24/190
D. 358,215	5/1995	Reed	D24/190
D. 375,823	11/1996	Bleiweis	D2/624

Primary Examiner—Paula A. Mortimer
Attorney, Agent, or Firm—Hardaway Law Firm, P.A.

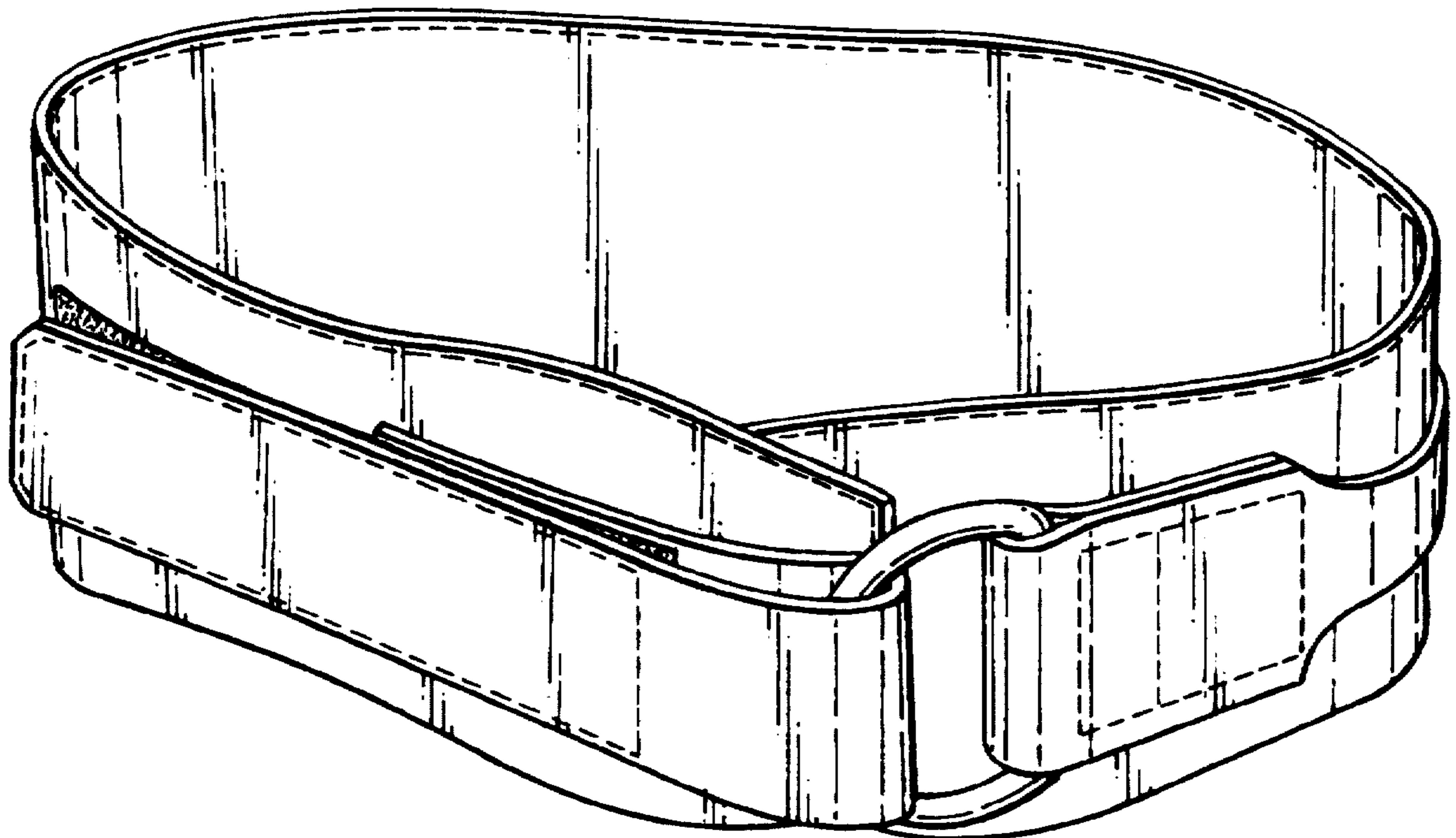
[57] **CLAIM**

The ornamental design for a belt, as shown and described.

DESCRIPTION

FIG. 1 is an elevational view of a belt showing my new design from the rear;
FIG. 2 is an elevational view thereof showing my new design, from the front in one condition;
FIG. 3 is an elevational view thereof showing my new design, from the front in an alternate condition;
FIG. 4 is a perspective view thereof showing my new design from the rear and one side; and,
FIG. 5 is a perspective view thereof showing my new design, from the rear and opposite side.

1 Claim, 2 Drawing Sheets



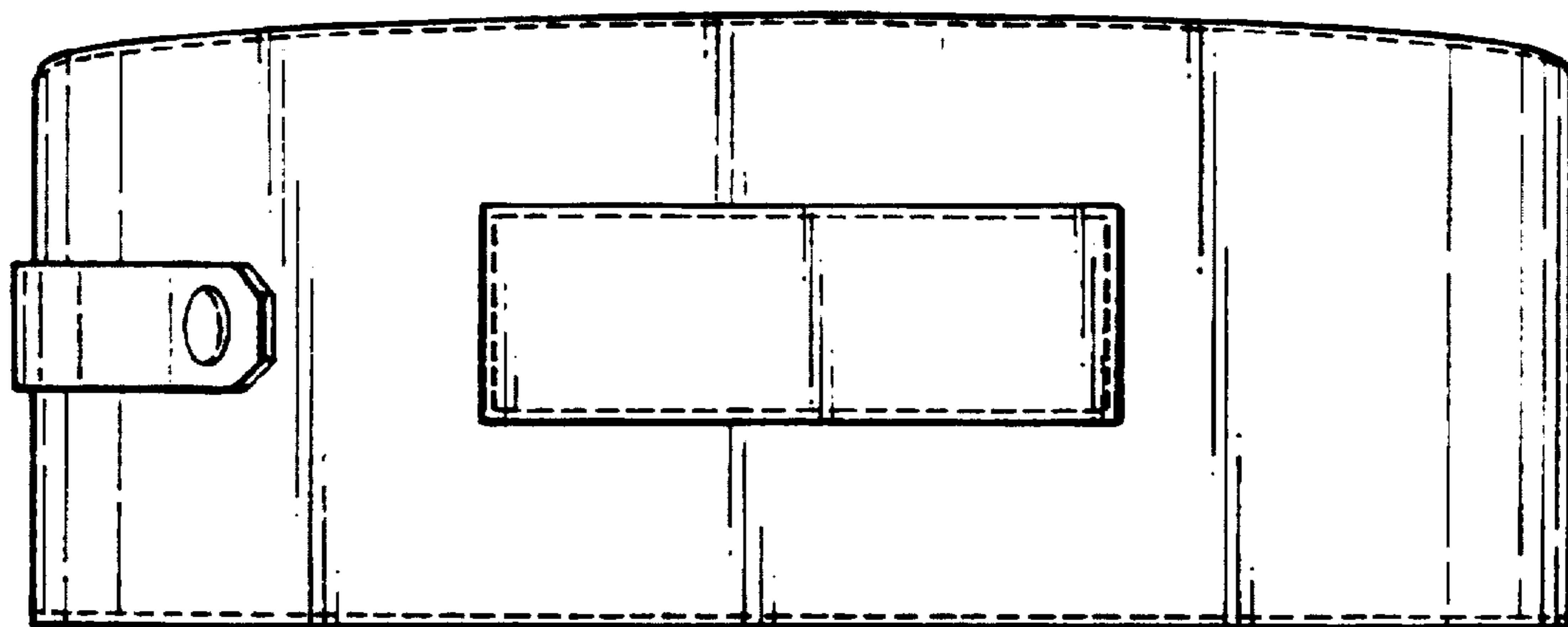


FIG. 1

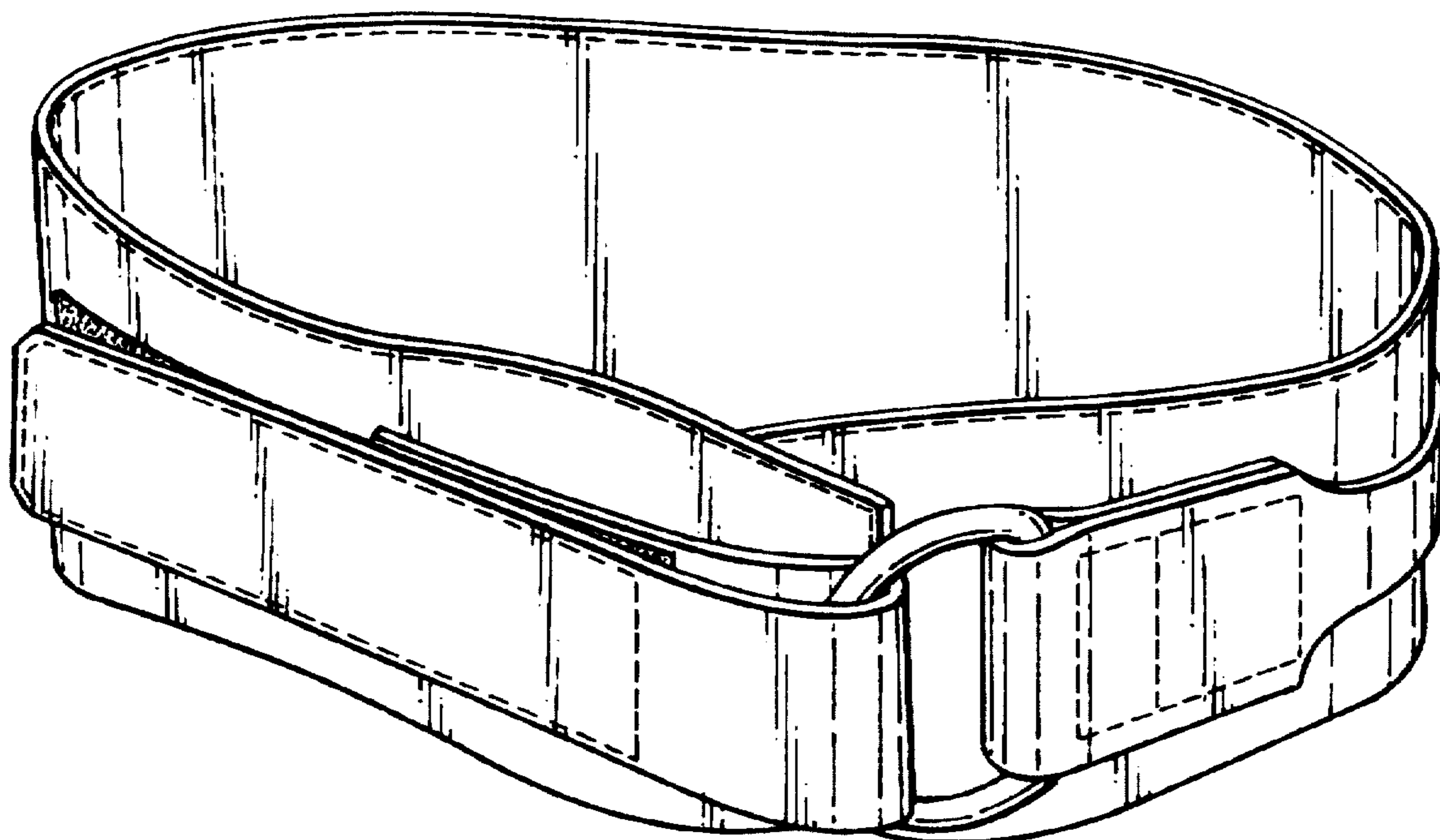


FIG. 2

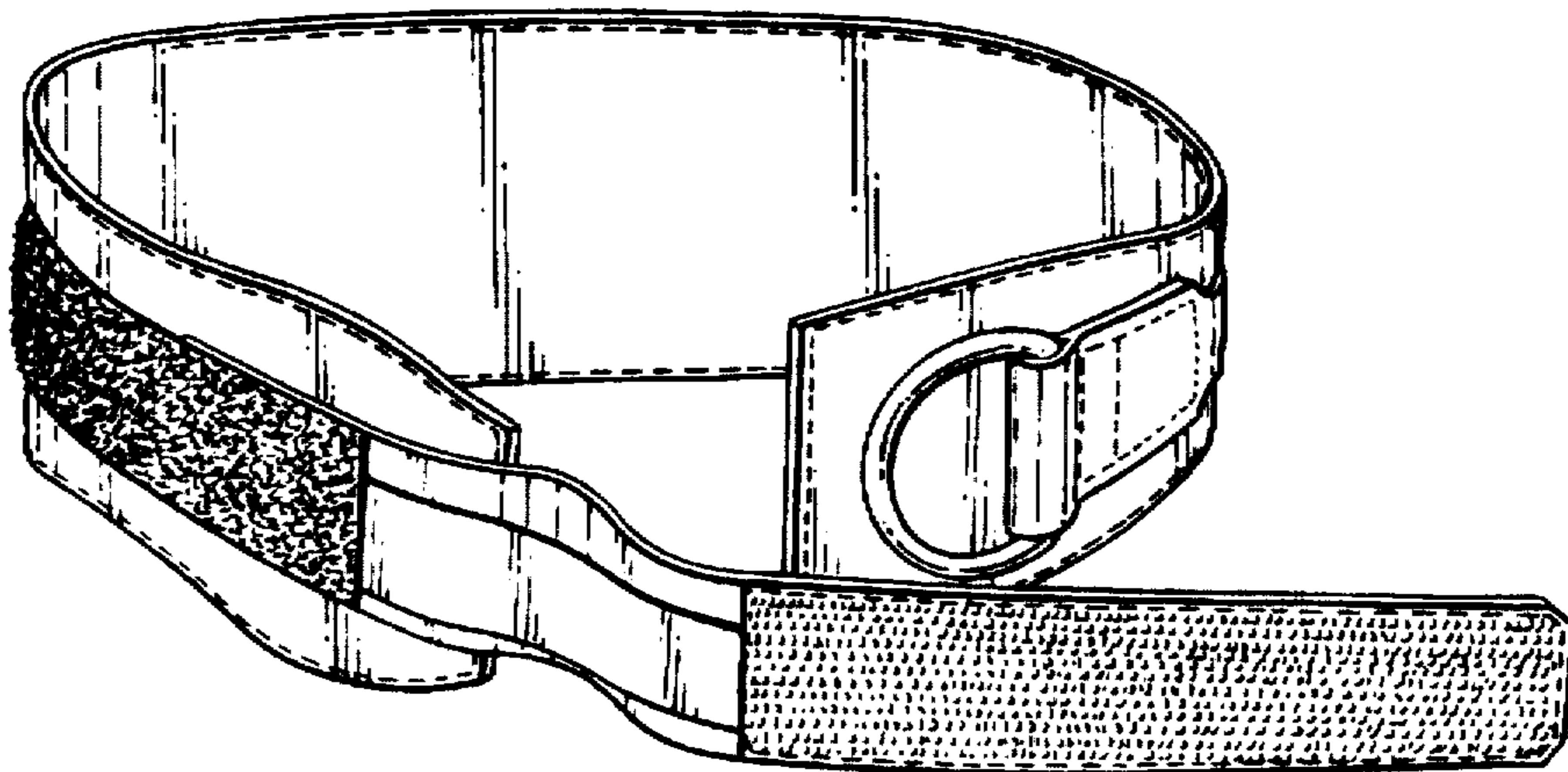


FIG. 3

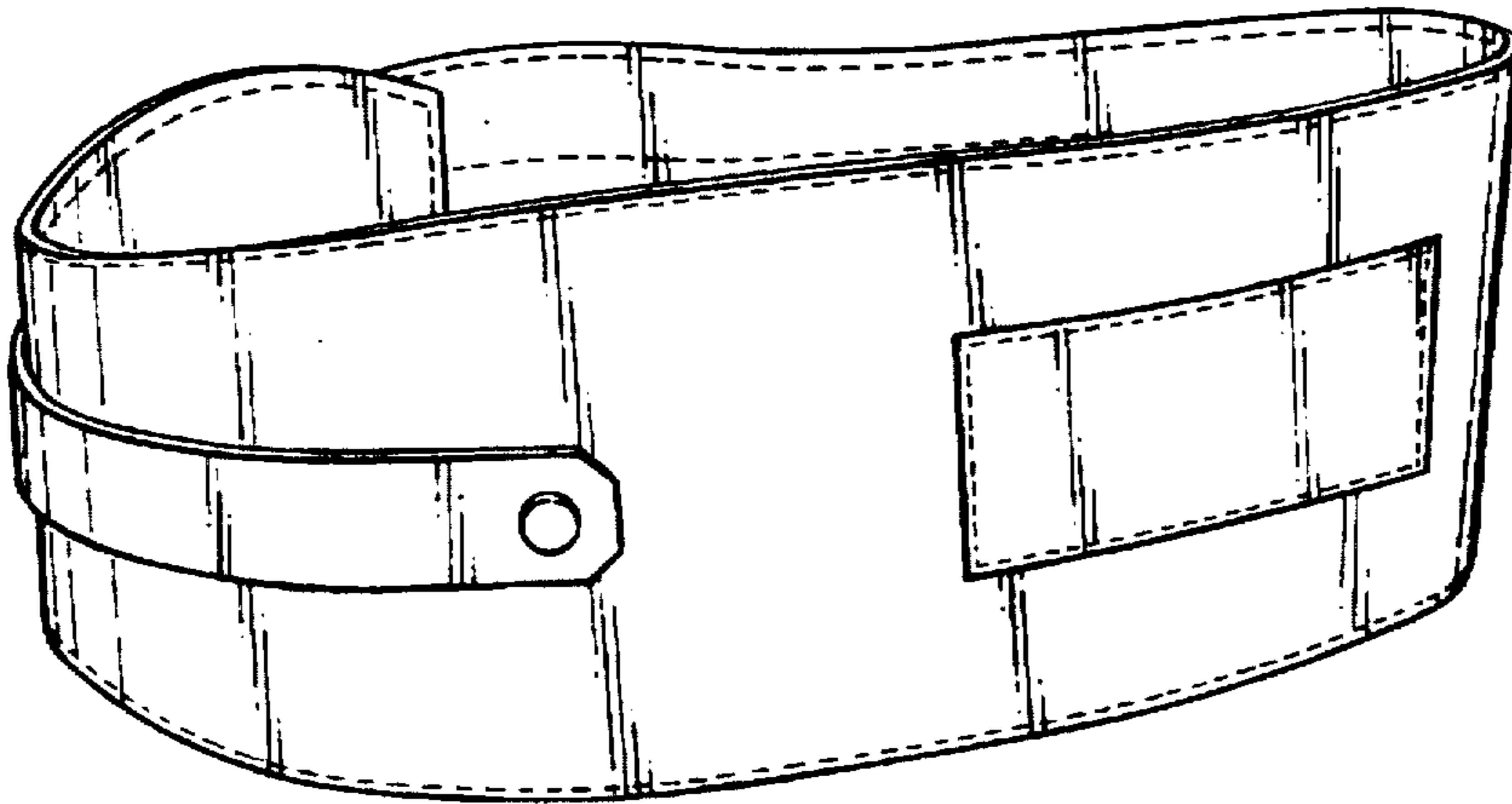


FIG. 4

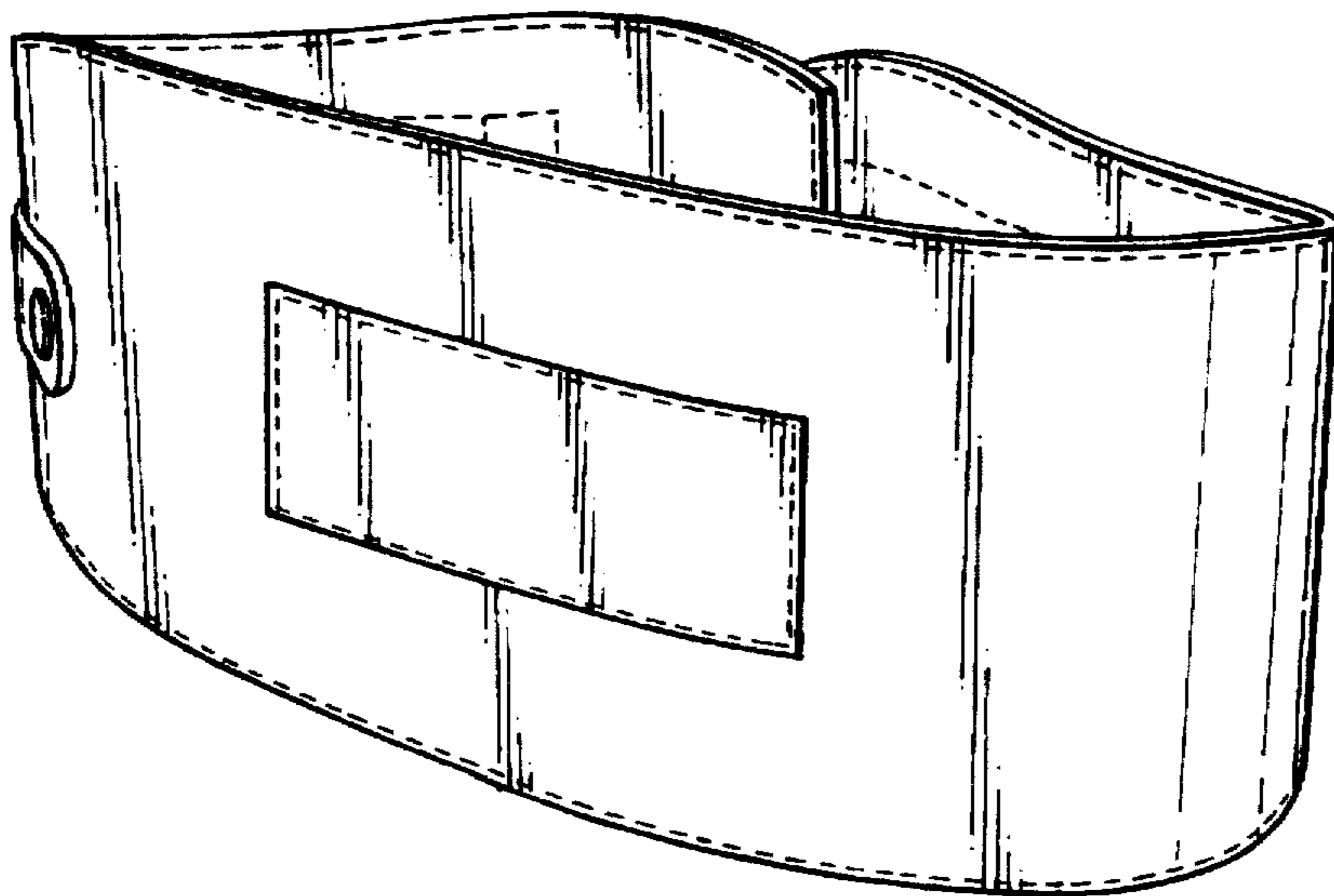


FIG. 5