



US00D408114S

# United States Patent [19]

Poitier et al.

[11] Patent Number: **Des. 408,114**

[45] Date of Patent: **\*\*Apr. 13, 1999**

[54] **TRANSPARENT CASKET**

[76] Inventors: **Joan Poitier; Lohman Rahming**, both of 379 S. Dixie Hwy., Deerfield Beach, Fla. 33441; **Rangel Fernandez; Ivan Fernandez**, both of 9981 NW. 128th Ter., Hialeah Gardens, Fla. 33016

[\*\*] Term: **14 Years**

[21] Appl. No.: **29/084,628**

[22] Filed: **Mar. 6, 1998**

[51] LOC (6) Cl. .... **99-00**

[52] U.S. Cl. .... **D99/4; D99/1; D99/7**

[58] Field of Search ..... **D99/1, 2, 3, 4, D99/6, 7; 27/2, 3, 4, 5, 6, 7, 8**

[56] **References Cited**

**U.S. PATENT DOCUMENTS**

- D. 75,684 7/1928 Gray ..... D99/4 X
- D. 138,497 8/1944 Schmidt ..... D99/4 X
- D. 161,382 12/1950 Schladerumundt ..... D99/7 X
- D. 200,619 3/1965 Stepek ..... 27/6
- D. 294,763 3/1988 Beardsley ..... D99/7

- D. 309,033 7/1990 Mohr ..... D99/1 X
- D. 351,270 10/1994 Beardsley ..... D99/1
- 1,364,782 1/1921 Mellon ..... 27/8
- 1,622,777 3/1927 Fledman ..... 27/3
- 2,907,090 10/1959 Gaspardo ..... 27/8
- 3,568,275 3/1971 Carson, Jr. .... D99/1
- 3,781,948 1/1974 Pitt ..... D99/1

*Primary Examiner*—Paula A. Mortimer  
*Attorney, Agent, or Firm*—Robert M. Downey, P.A.

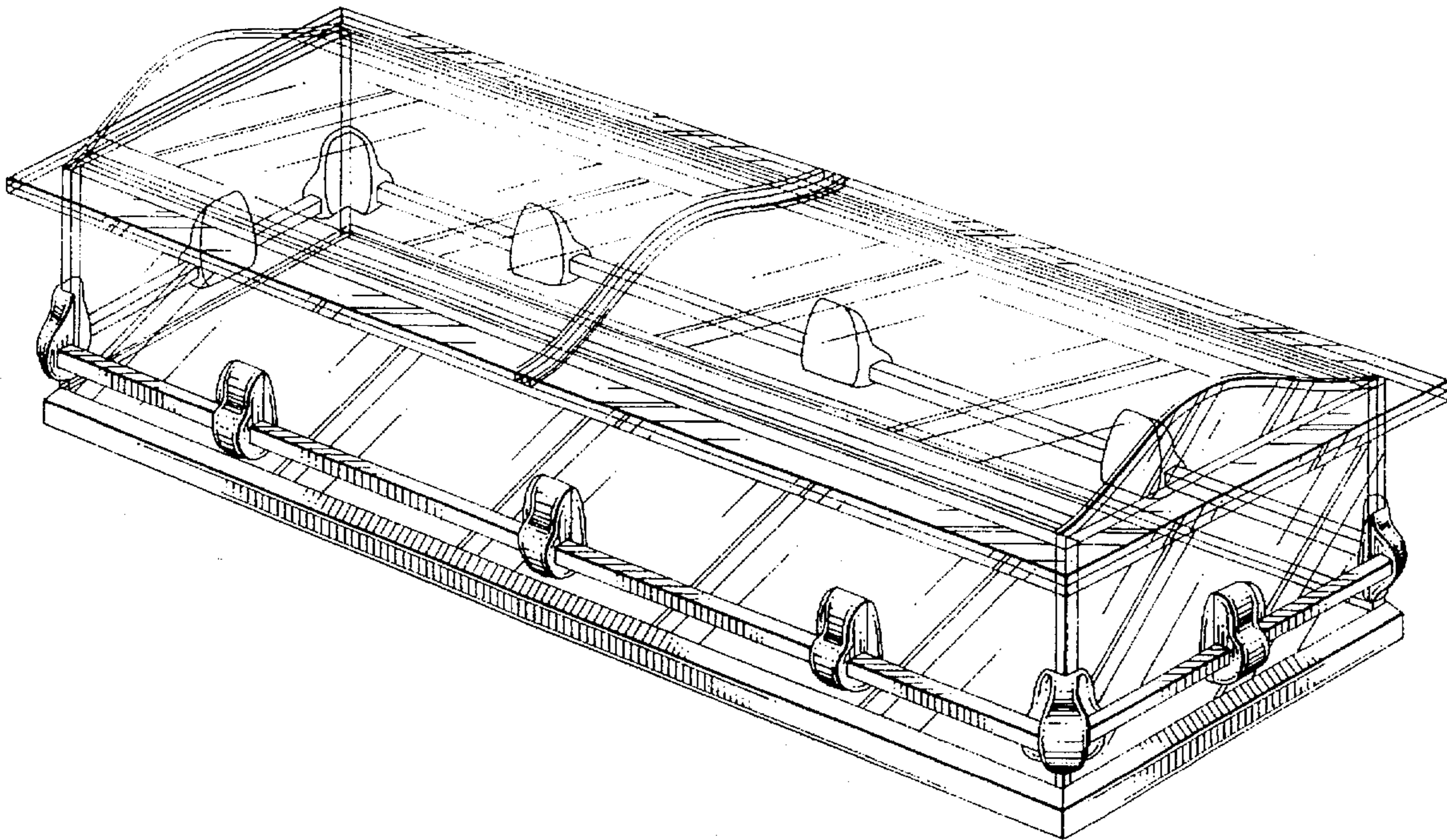
[57] **CLAIM**

The ornamental design for a transparent casket, as shown and described.

**DESCRIPTION**

FIG. 1 is an enlarged top perspective view of transparent casket showing our new design;  
FIG. 2 is a right side elevational view thereof, the left side is a mirror image;  
FIG. 3 is a reduced bottom plan view thereof;  
FIG. 4 is an end elevational view thereof, the opposite end elevational view is a mirror image; and,  
FIG. 5 is an enlarged top plan view thereof.

**1 Claim, 2 Drawing Sheets**



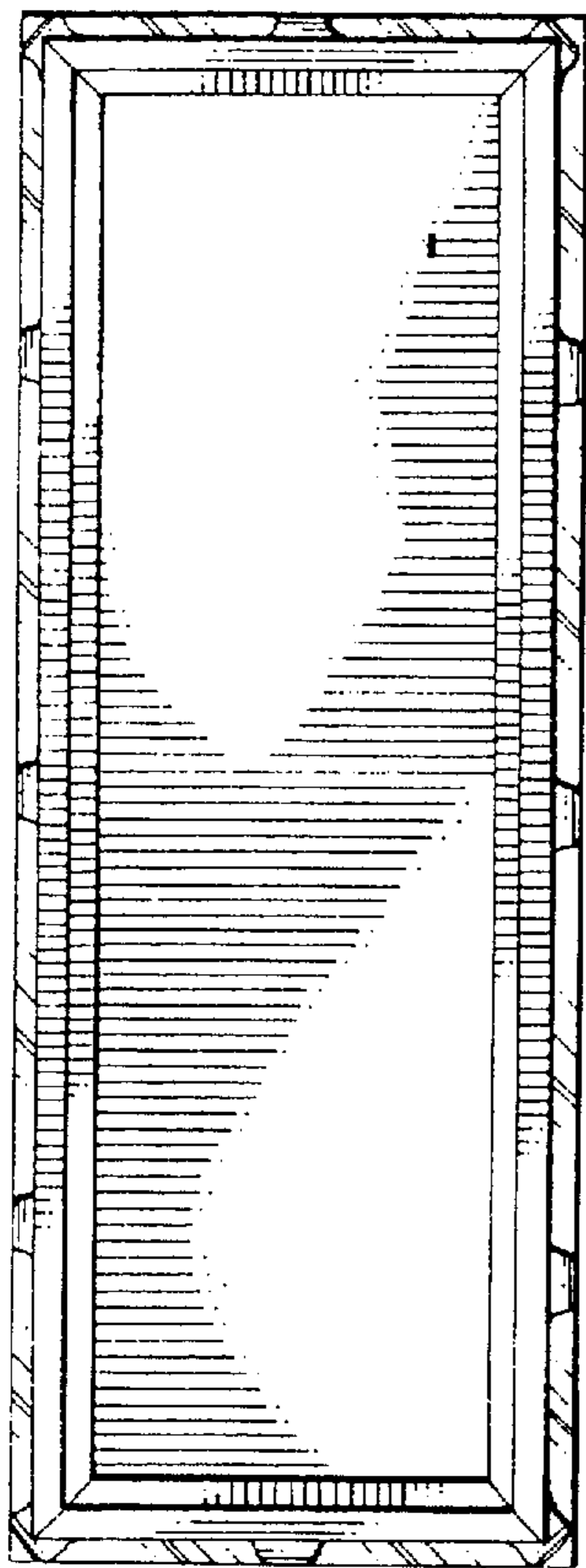


FIG. 3

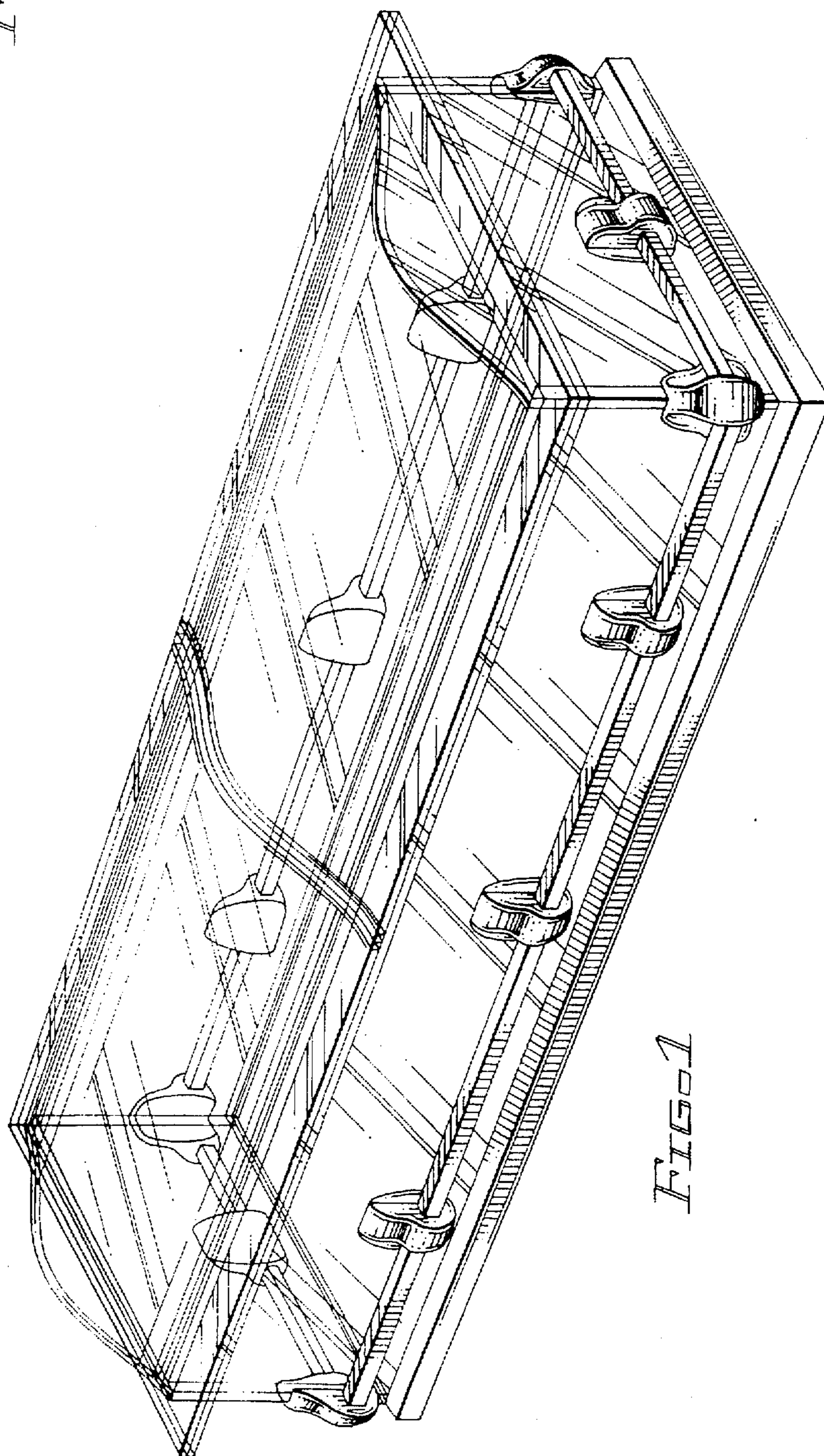


FIG. 1

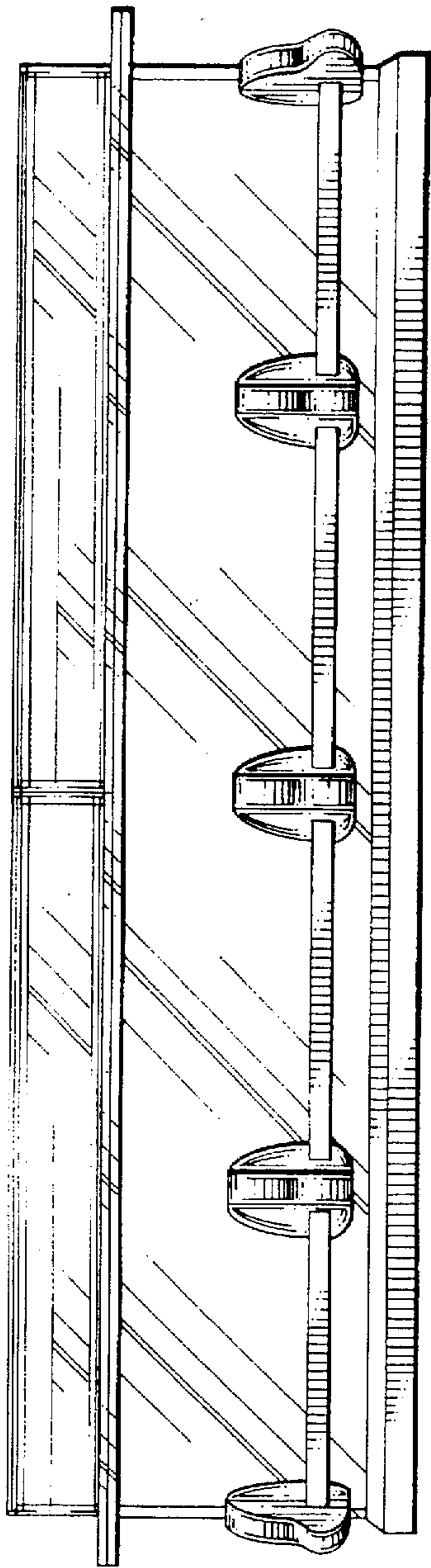


FIG. 2

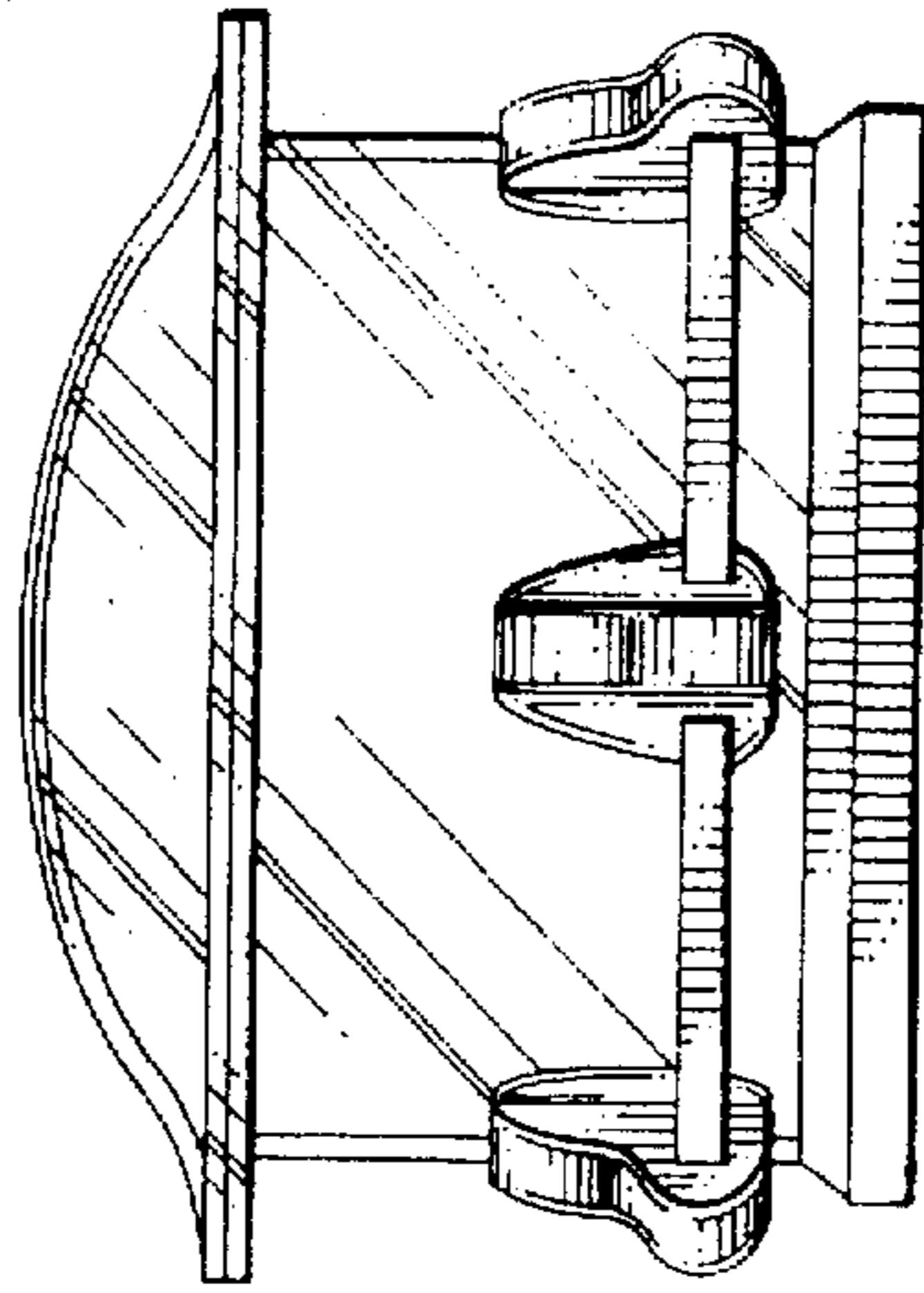


FIG. 4

FIG. 5

