



US00D408113S

United States Patent [19]

Hunter et al.

[11] Patent Number: **Des. 408,113**

[45] Date of Patent: ****Apr. 13, 1999**

[54] **BUNGED DRUM**

[75] Inventors: **John H. Hunter**, Placerville; **Charles F. Hudson**, Rowland Heights, both of Calif.

[73] Assignee: **Russell-Stanley Corporation**, Bridgewater, N.J.

[**] Term: **14 Years**

[21] Appl. No.: **29/056,125**

[22] Filed: **Jun. 24, 1996**

[51] LOC (6) Cl. **09-02**

[52] U.S. Cl. **D34/39**

[58] Field of Search D34/38, 39; 217/98, 217/99, 72, 105; 220/4.04

[56] **References Cited**

U.S. PATENT DOCUMENTS

D. 344,385 2/1994 Przytulla D34/39

D. 359,830	6/1995	Mikula et al.	D34/39
2,974,826	3/1961	Martin	D34/39
4,203,526	5/1980	Stoll, III	D34/39
4,286,723	9/1981	Schutz	220/4.04

Primary Examiner—Doris Clark
Attorney, Agent, or Firm—Hedman, Gibson & Costigan, P.C.

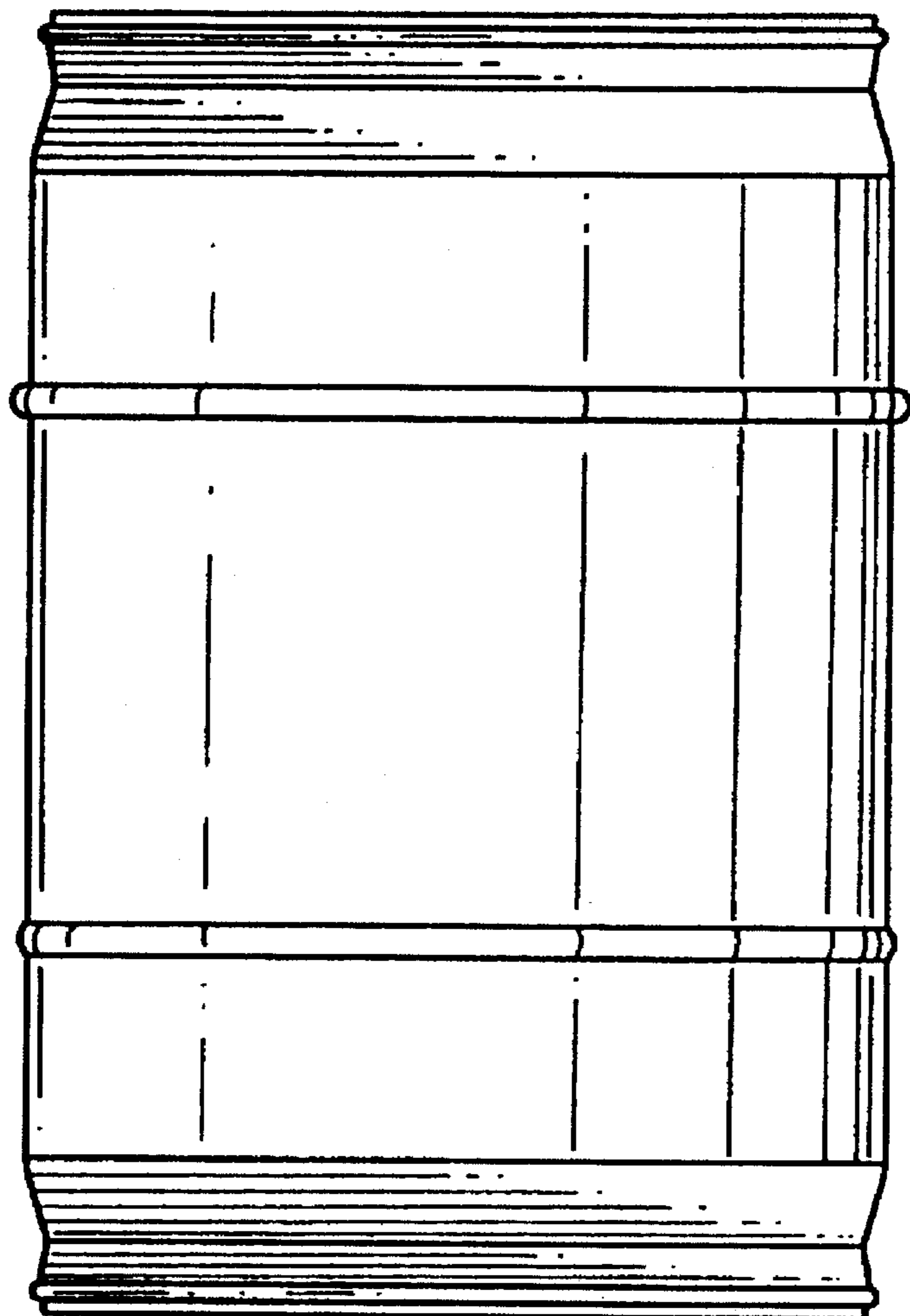
[57] **CLAIM**

The ornamental design for a bunged drum, as shown and described.

DESCRIPTION

FIG. 1 is a side elevational view of a bunged drum in accordance with the invention;
FIG. 2 is a cross-sectional view through 2—2 of the lip of the bunged drum in FIG. 3 in accordance with the invention;
FIG. 3 is a top view of the bunged drum in accordance with the invention; and,
FIG. 4 is a bottom view of the bunged drum in accordance with the invention.

1 Claim, 1 Drawing Sheet



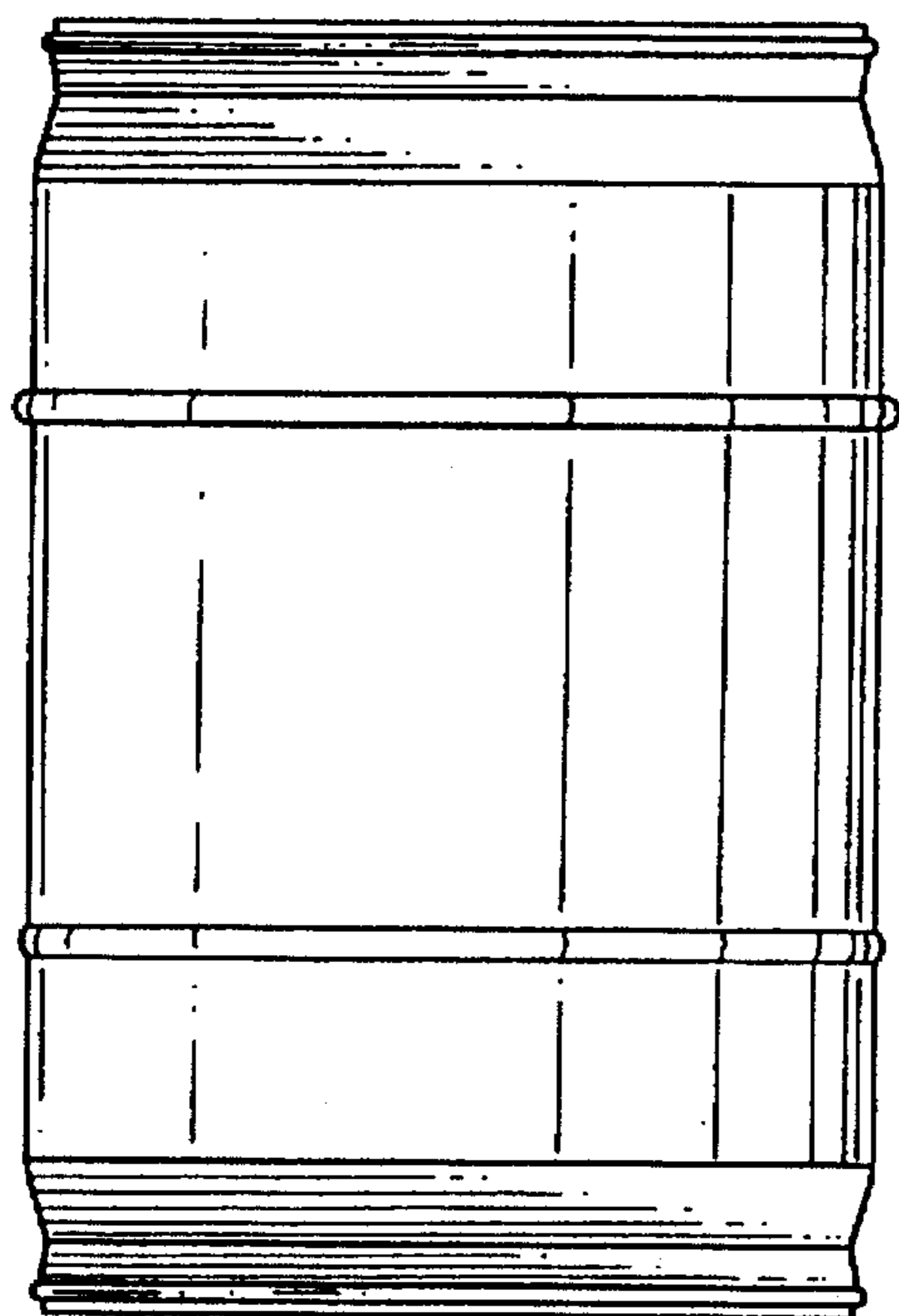


FIG. 1

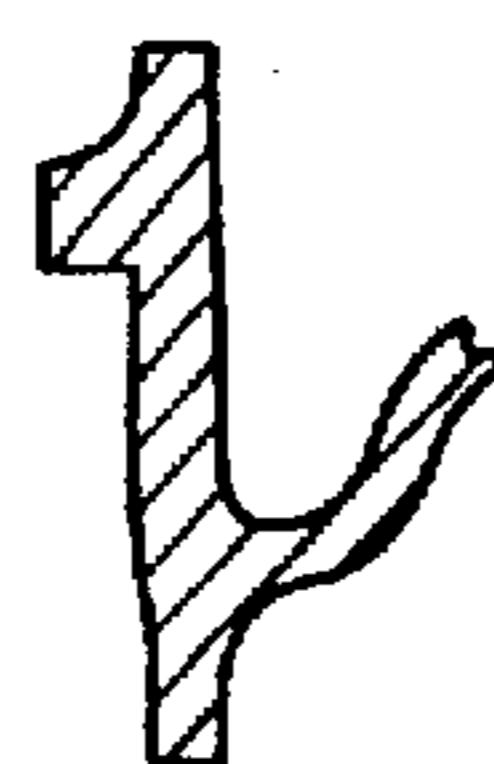


FIG. 2

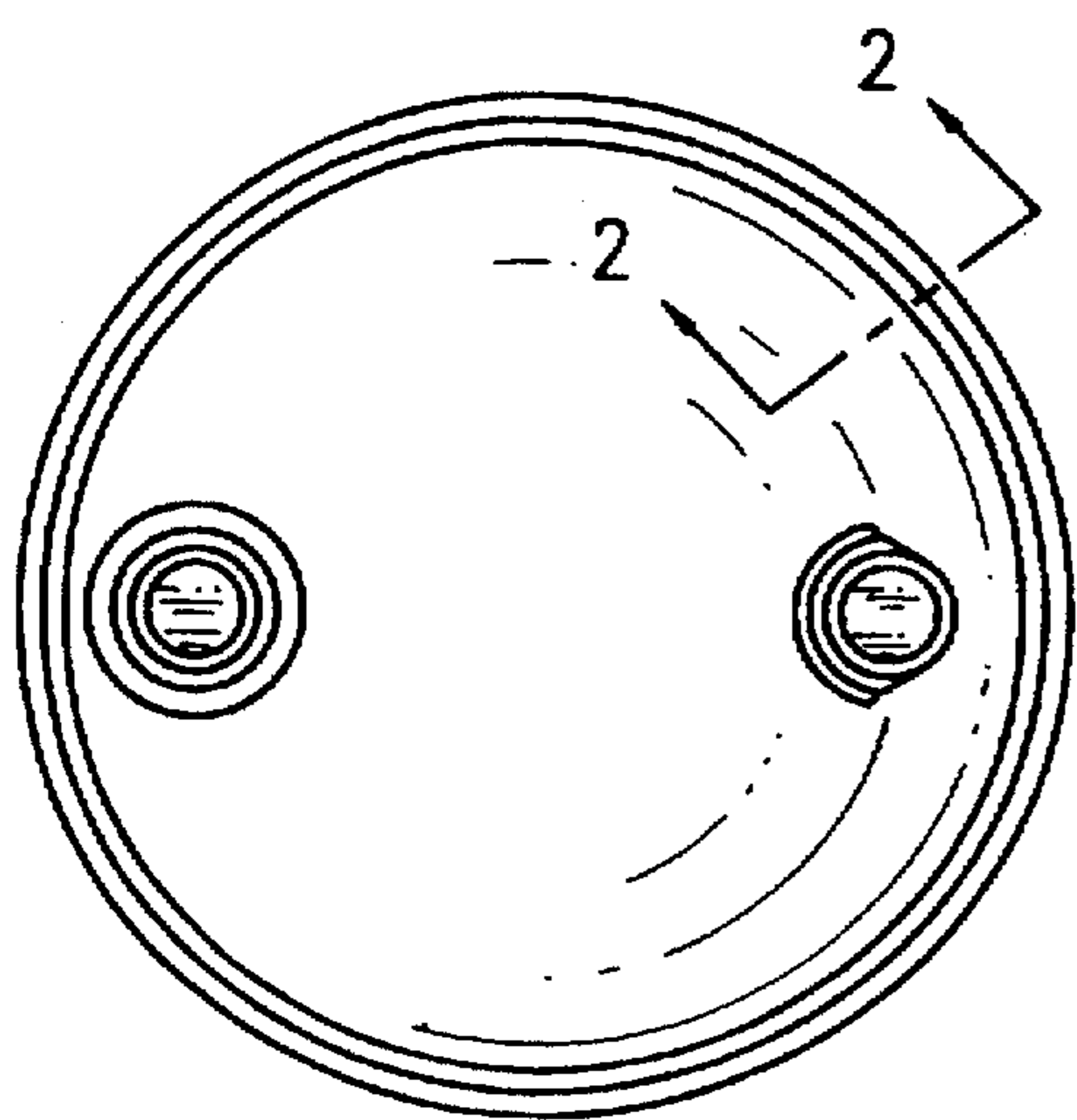


FIG. 3

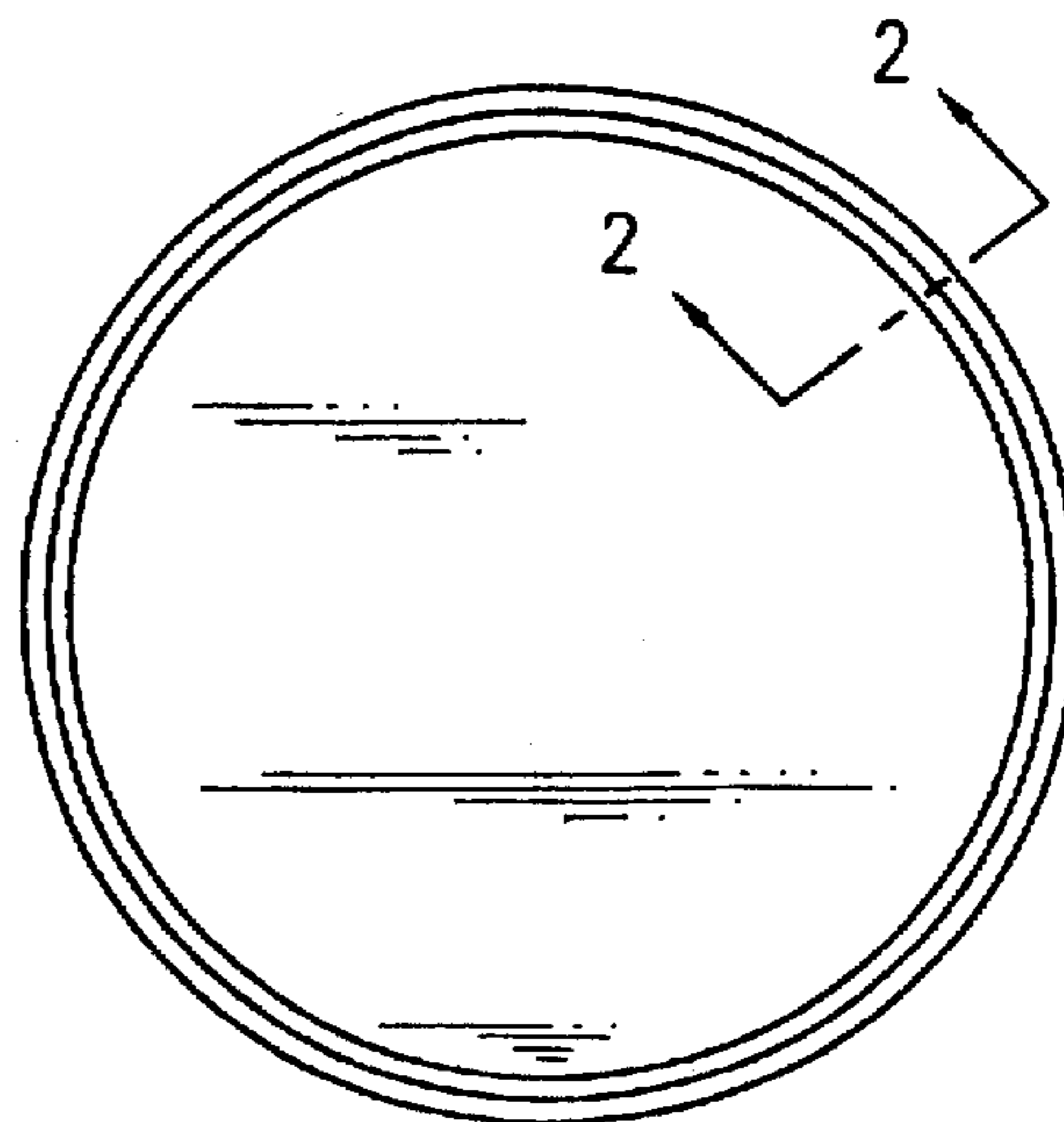


FIG. 4