



US00D408106S

United States Patent [19]

[11] Patent Number: **Des. 408,106**

Cousins et al.

[45] Date of Patent: ****Apr. 13, 1999**

[54] **COMINED BABY BOTTLE AND NIPPLE CLEANER**

D. 356,443	3/1995	Willis	D4/116
2,828,502	4/1958	Tupper .	
3,409,926	11/1968	Martin .	
4,575,892	3/1986	Ross .	
5,214,820	6/1993	Shumway et al. .	
5,336,330	8/1994	Shumway et al. .	
5,339,480	8/1994	Murg et al.	15/106
5,459,898	10/1995	Bacolot	15/106
5,491,863	2/1996	Dunn .	

[75] Inventors: **Morison Stuart Cousins**, Winter Park;
Brent Edward D'Alessio, Palm Bay,
both of Fla.

[73] Assignee: **Dart Industries Inc.**, Orlando, Fla.

[**] Term: **14 Years**

Primary Examiner—Susan J. Lucas
Assistant Examiner—Cynthia Ramirez
Attorney, Agent, or Firm—Taylor J. Ross

[21] Appl. No.: **29/090,455**

[22] Filed: **Jul. 9, 1998**

[57] **CLAIM**

[51] **LOC (6) Cl.** **08-05**

The ornamental design for a combined baby bottle and nipple cleaner, as shown and described.

[52] **U.S. Cl.** **D32/42; D4/119; 15/164; D32/40**

DESCRIPTION

[58] **Field of Search** **D32/35, 40, 42; 15/118, 211, 210.1, 223, 224, 244.1, 106, 164, 114; D4/105, 106, 116, 118, 119, 120, 131, 137, 138, 129**

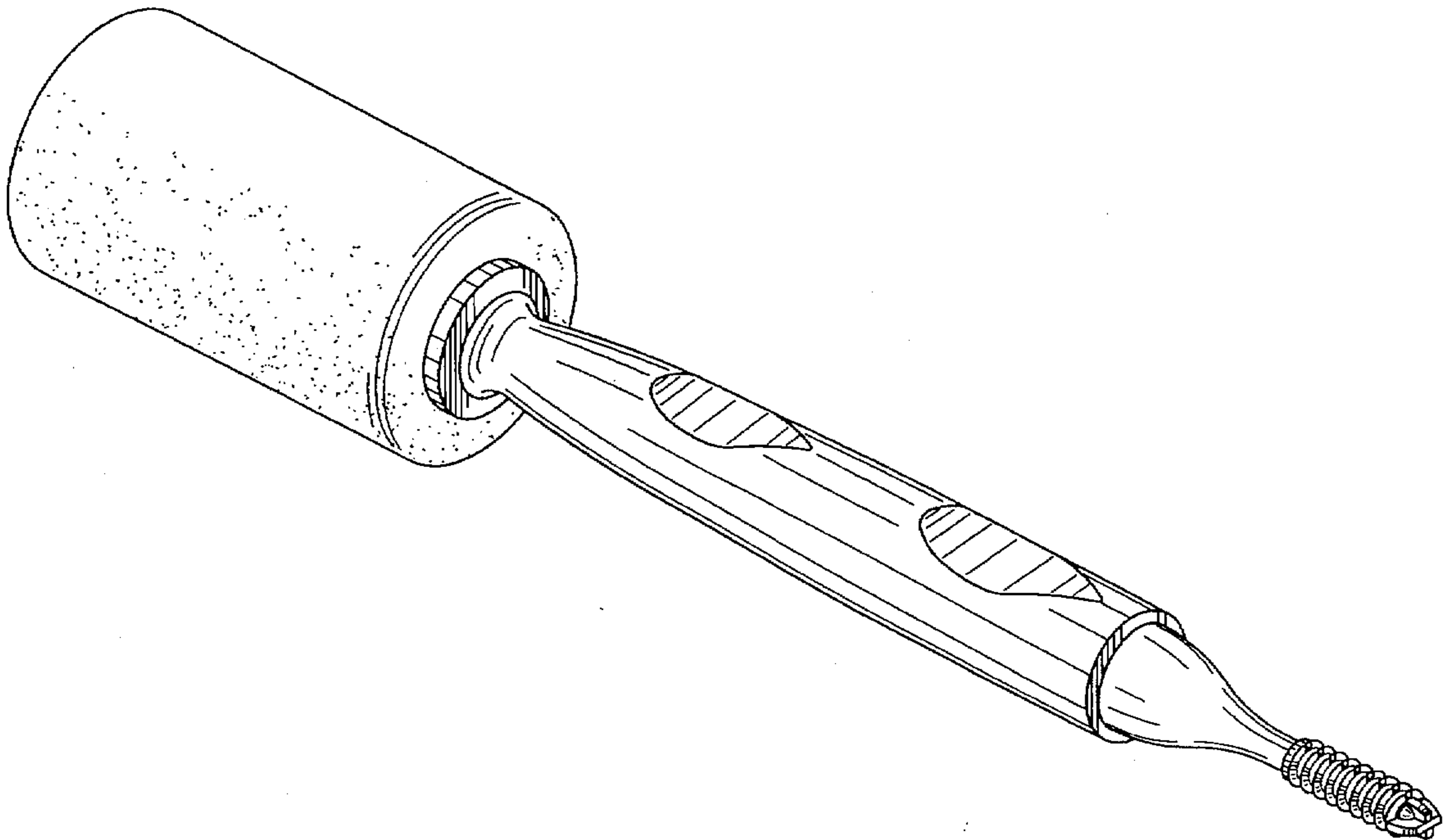
FIG. 1 is a top, side and front perspective view of a combined baby bottle and nipple cleaner showing the new design;
FIG. 2 is a right end view thereof;
FIG. 3 is a left end view thereof;
FIG. 4 is a side elevation view thereof, the opposite side elevation being the same; and,
FIG. 5 is a top plan view thereof, the bottom plan view being the same.

[56] **References Cited**

U.S. PATENT DOCUMENTS

D. 180,355	5/1957	Blackburn .	
D. 250,068	10/1978	Ducotey .	
D. 310,914	10/1990	Ambasz .	
D. 333,368	2/1993	Flowers	D32/40

1 Claim, 2 Drawing Sheets



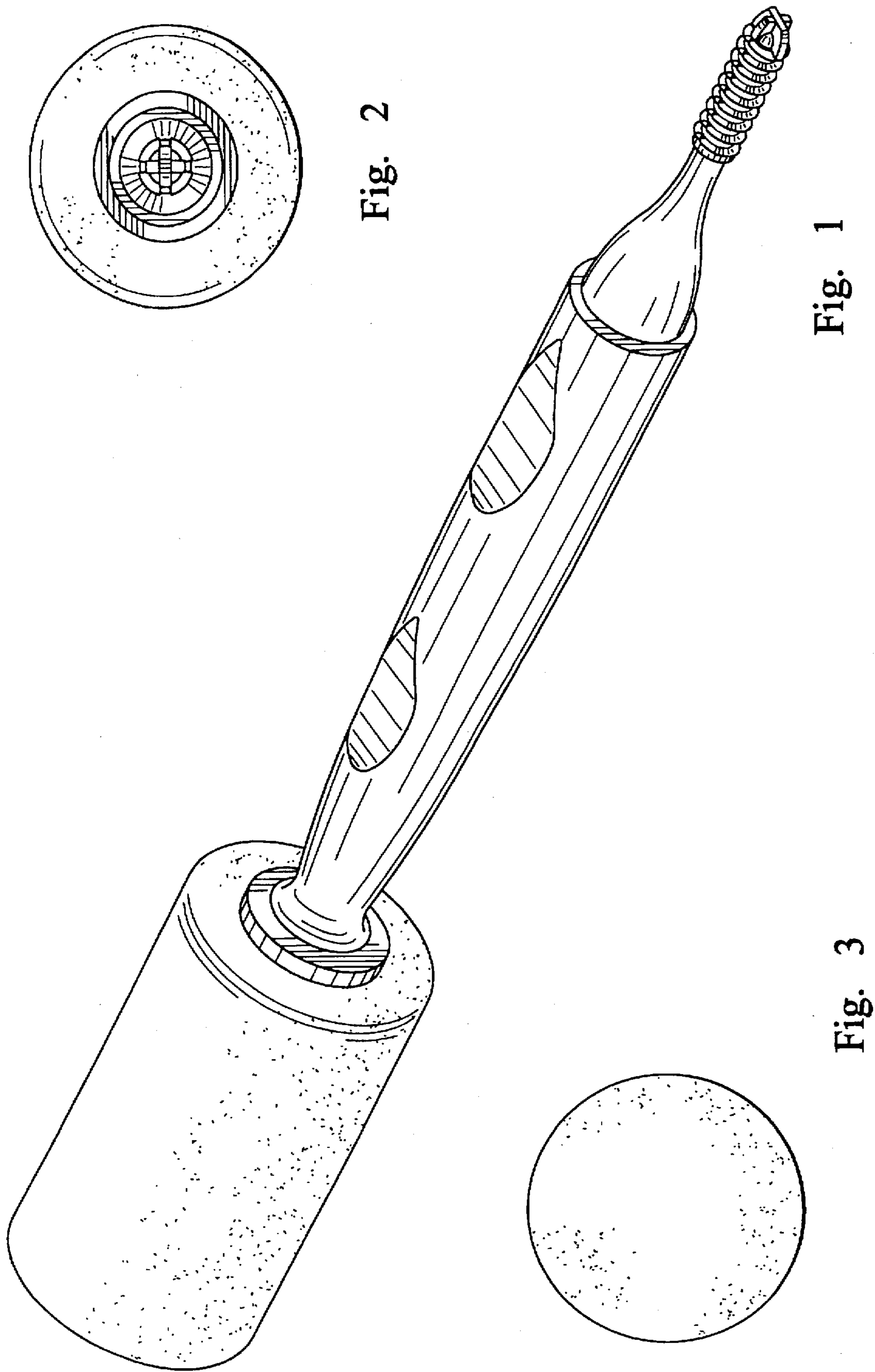


Fig. 2

Fig. 1

Fig. 3

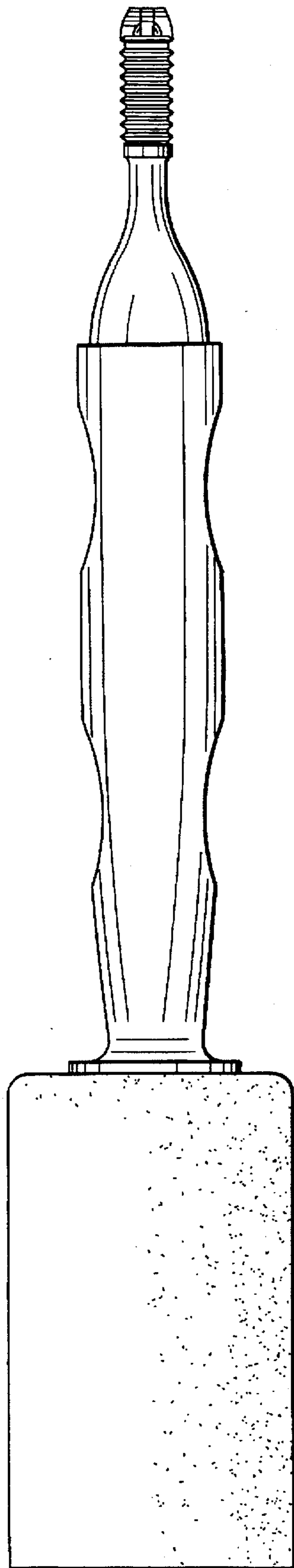


Fig. 4

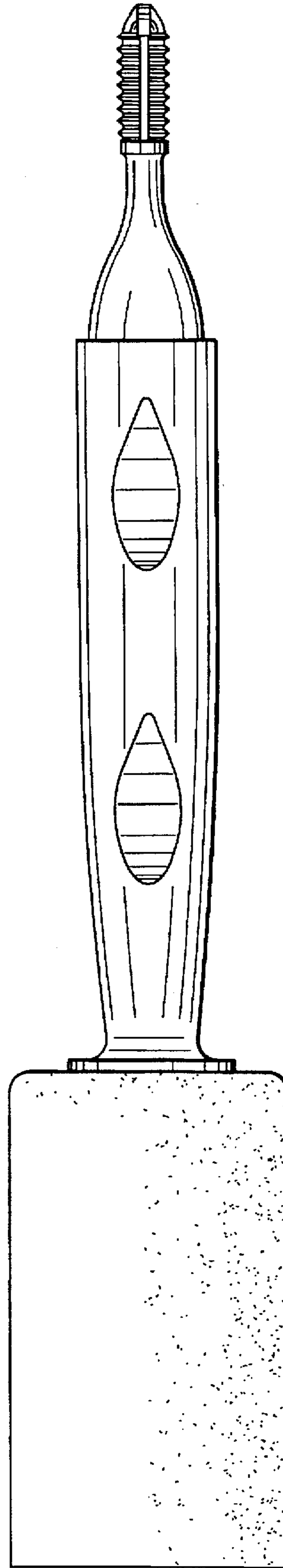


Fig. 5