



US00D408103S

United States Patent [19]
Snedeker

[11] **Patent Number: Des. 408,103**
[45] **Date of Patent: **Apr. 13, 1999**

[54] **ELASTIC PET LEASH**

5,709,172 1/1998 Maglich 119/797

[76] **Inventor: Jan G Snedeker, 45 E. Hayes Crossing, Belleville, Pa. 17004**

Primary Examiner—Louis S. Zarfes
Assistant Examiner—Eric Watterson

[**] **Term: 14 Years**

[57] **CLAIM**

The ornamental design for a elastic pet leash, as shown.

[21] **Appl. No.: 29/086,637**

DESCRIPTION

[22] **Filed: Apr. 16, 1998**

[51] **LOC (6) Cl. 30-99**

FIG. 1 is a front elevational view of the elastic pet leash of the present invention;

[52] **U.S. Cl. D30/153**

FIG. 2 is a back elevational view of the elastic pet leash of FIG. 1;

[58] **Field of Search D30/151-154;
D29/100, 101; 119/712, 792, 793, 794-802;
128/809, 870, 875-882**

FIG. 3 is a left side elevational view of the elastic pet leash of FIG. 1;

FIG. 4 is a right side elevational view of the elastic pet leash of FIG. 1;

[56] **References Cited**

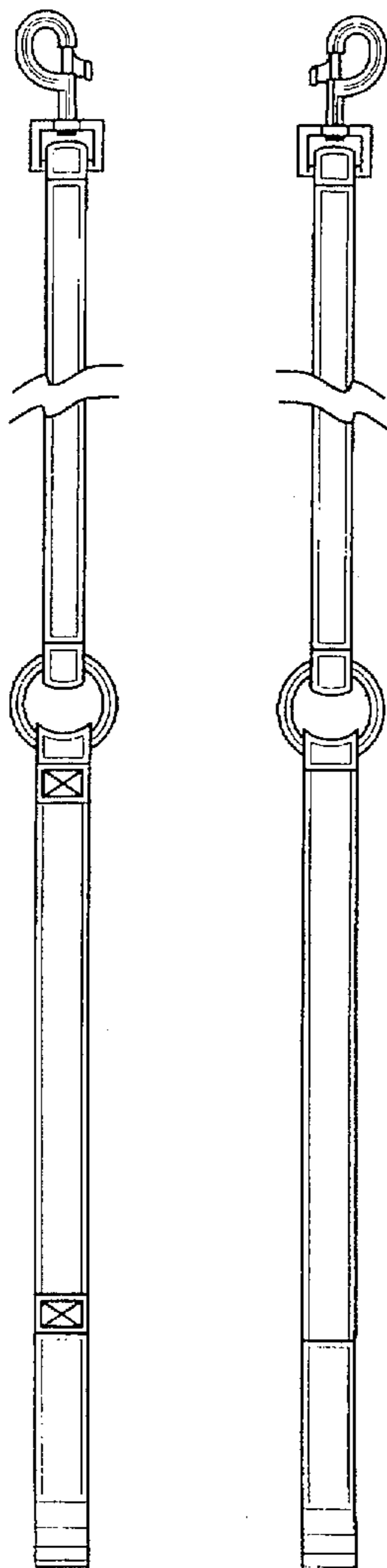
U.S. PATENT DOCUMENTS

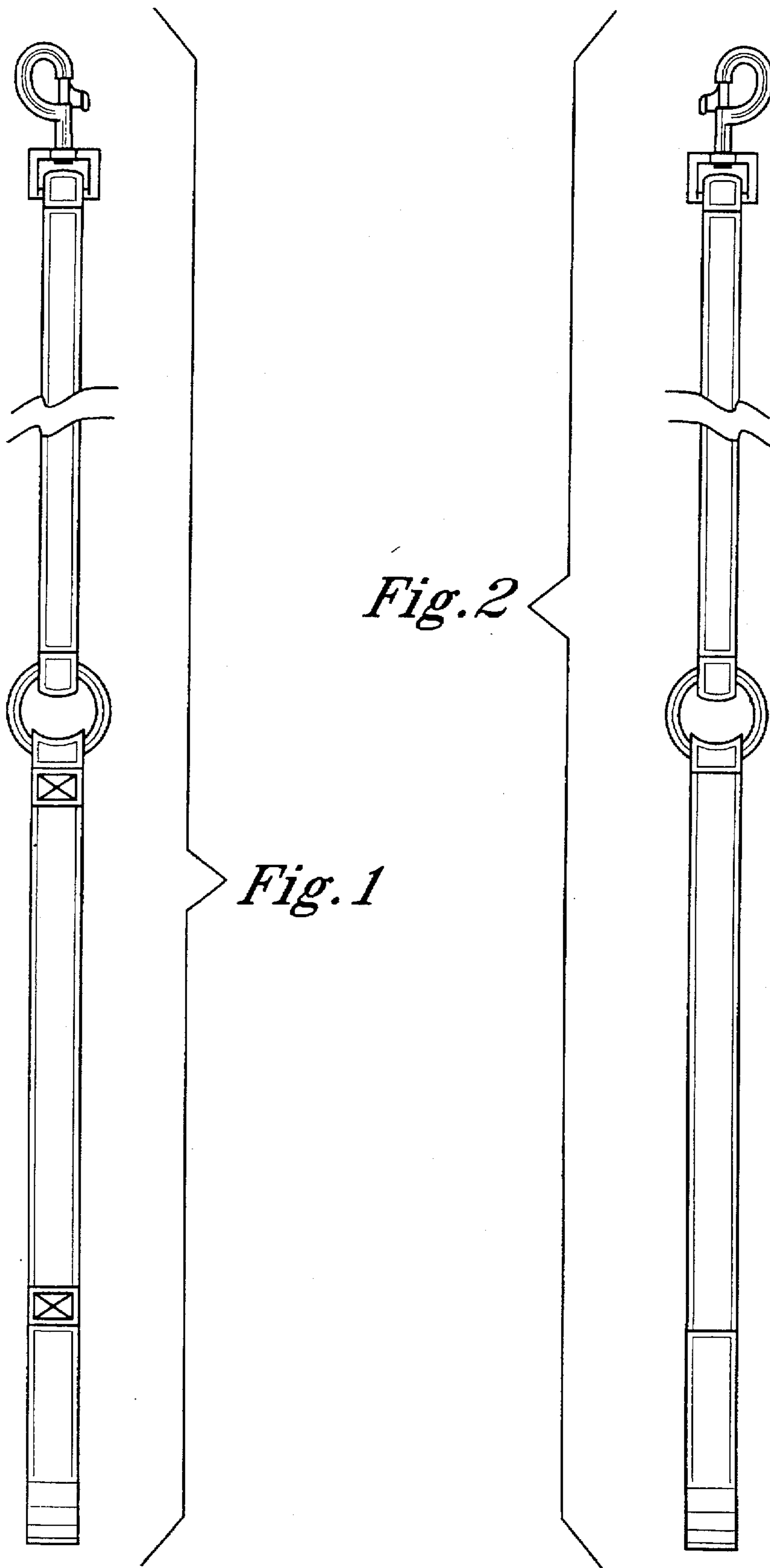
D. 381,473	7/1997	Dixon et al.	D30/153
2,861,547	8/1958	Dale	119/797
5,351,654	10/1994	Fuentes	119/770
5,551,380	9/1996	Hodgson	119/795
5,649,504	7/1997	Culp	119/795

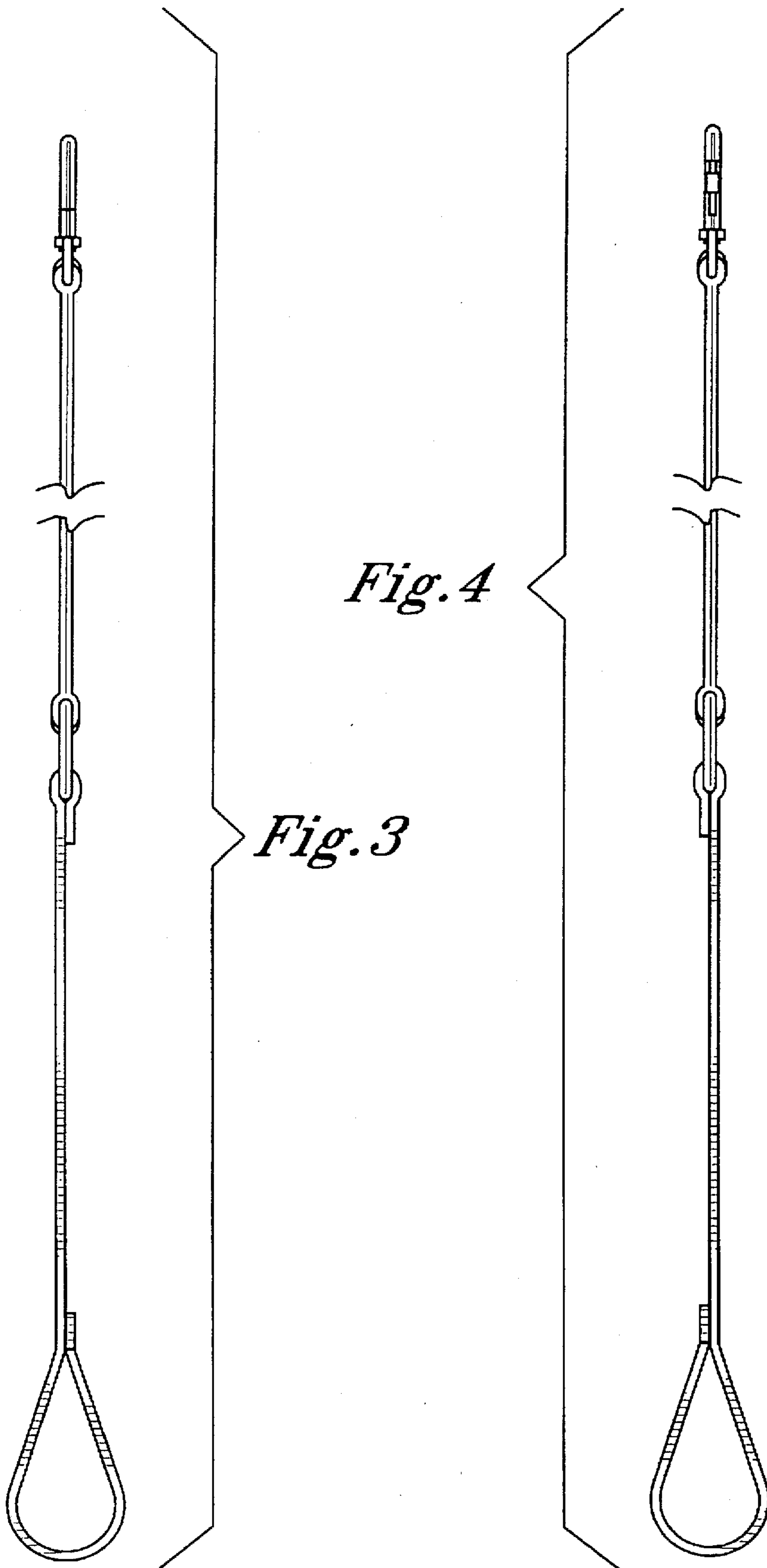
FIG. 5 is a top plan view of the elastic pet leash of FIG. 1; and,

FIG. 6 is a bottom plan view of the elastic pet leash of FIG. 1.

1 Claim, 3 Drawing Sheets







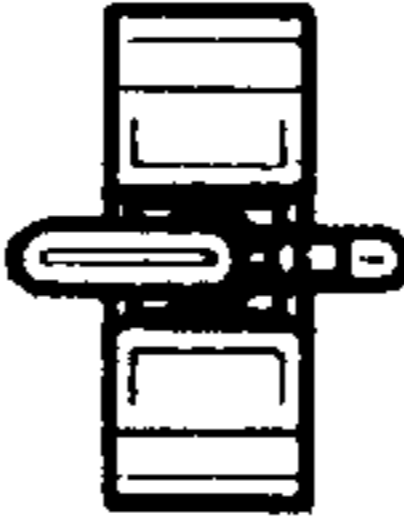


Fig. 5

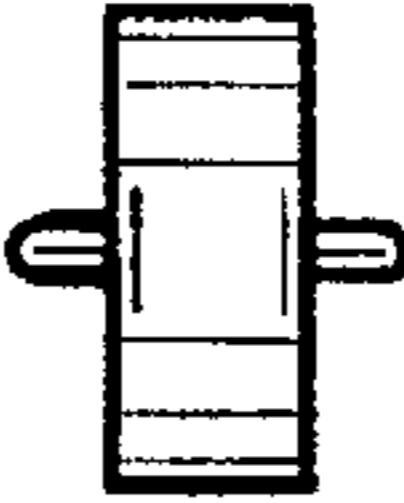


Fig. 6