



US00D408095S

United States Patent [19]
Porter

[11] **Patent Number: Des. 408,095**

[45] **Date of Patent: **Apr. 13, 1999**

[54] **CHANDELIER**

[75] **Inventor: David H. Porter, Chagrin Falls, Ohio**

[73] **Assignee: The L. D. Kichler Co., Cleveland, Ohio**

[**] **Term: 14 Years**

[21] **Appl. No.: 29/084,510**

[22] **Filed: Mar. 4, 1998**

[51] **LOC (6) Cl. 26-05**

[52] **U.S. Cl. D26/81; D26/143**

[58] **Field of Search D26/72, 80, 81, D26/82, 83, 84, 85, 86, 88, 89, 90, 142, 143, 144; 362/404-408, 147**

[56] **References Cited**

PUBLICATIONS

Murray Feiss lighting catalog, p. 57 chandelier arm. Mod. SF113M/WT, Mar. 1995.

Quoizel lighting brochure, p. 2, chandelier D, Nov. 1994.

Minoff Lamp catalog dated Apr. 1994, p. 91, printed U.S.A.

Primary Examiner—Susan J. Lucas
Attorney, Agent, or Firm—Watts, Hoffmann, Fisher & Heinke, Co., L.P.A.

[57] **CLAIM**

I claim the ornamental design for a chandelier, as shown and described.

DESCRIPTION

FIG. 1 is a perspective view of a chandelier showing my new design;

FIG. 2 is a right side elevational view of the chandelier, the left side elevational view being identical;

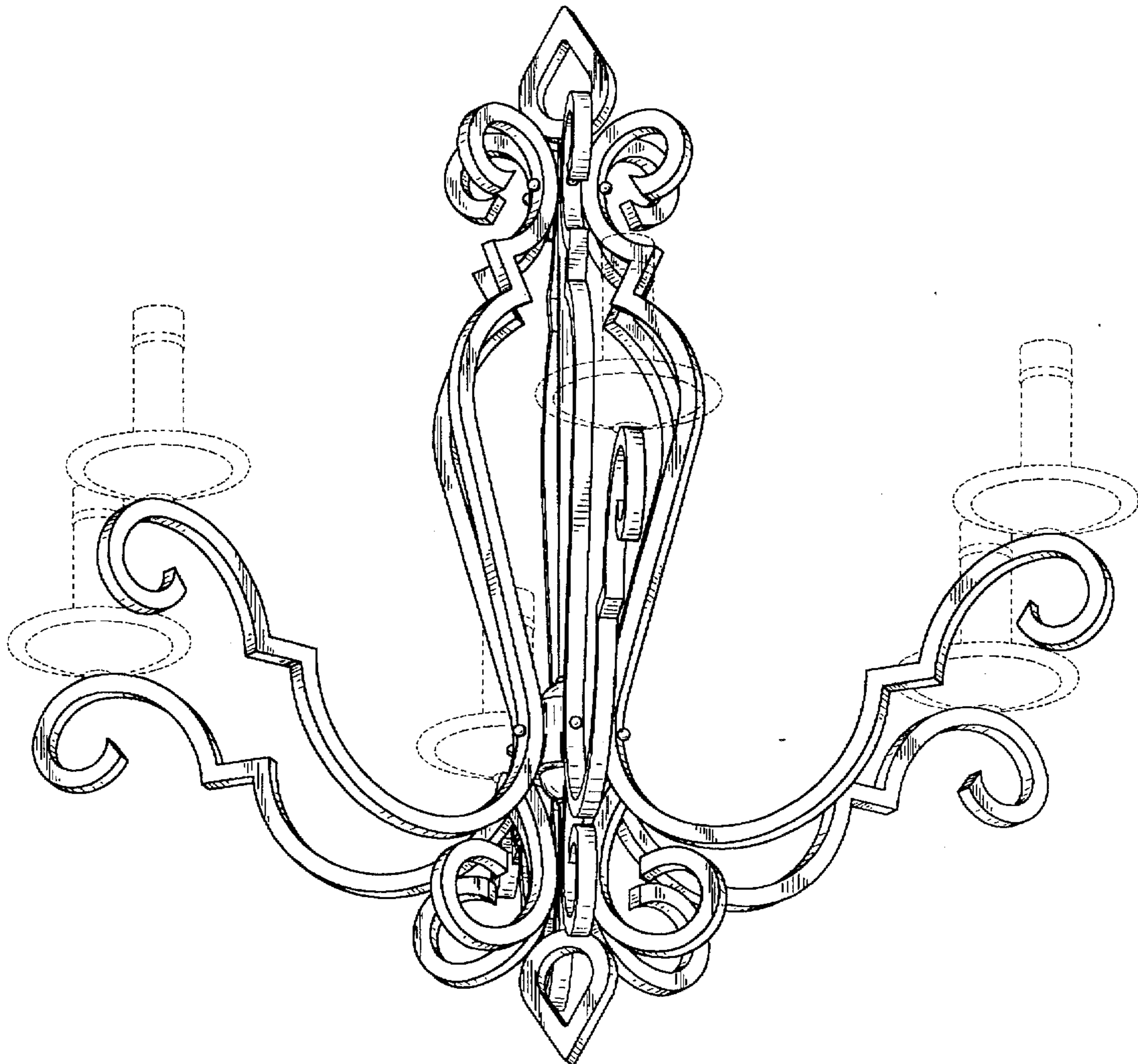
FIG. 3 is a front elevational view of the chandelier, the rear elevational view being identical;

FIG. 4 is a top plan view of the chandelier; and,

FIG. 5 is a bottom plan view of the chandelier.

The broken lines shown are for illustrative purposes only and forms no part of the claimed design.

1 Claim, 5 Drawing Sheets



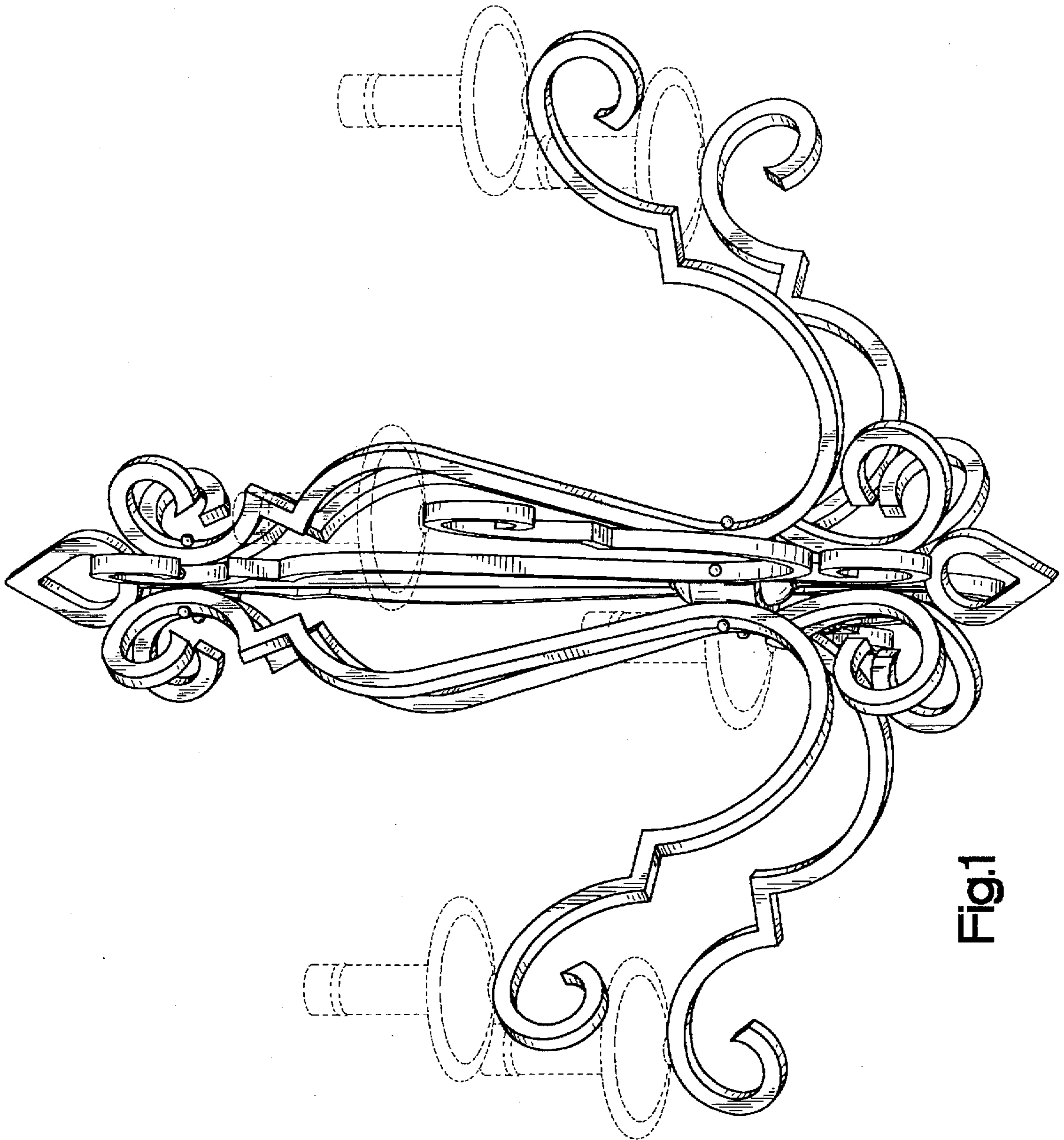


Fig.1

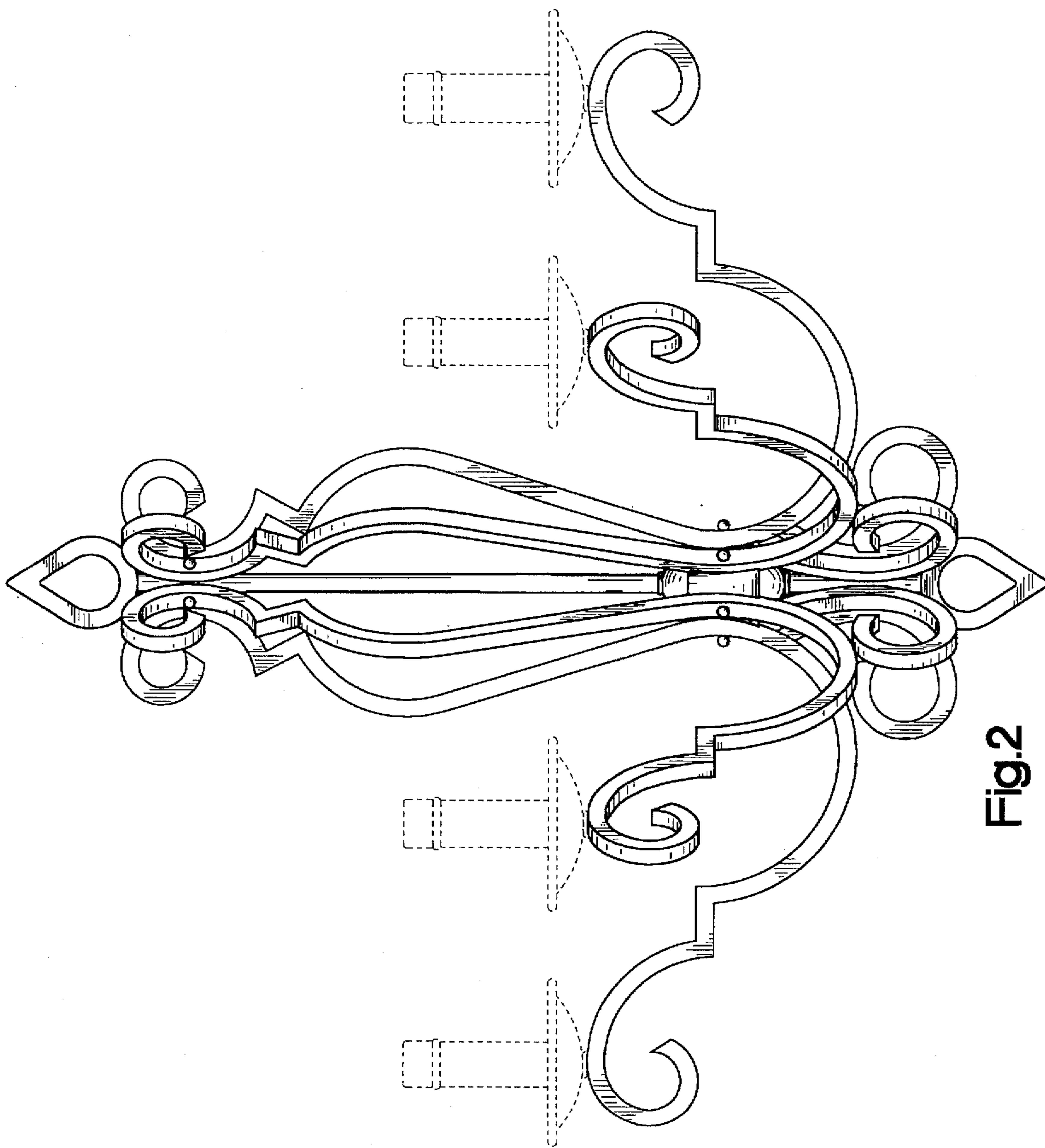


Fig. 2

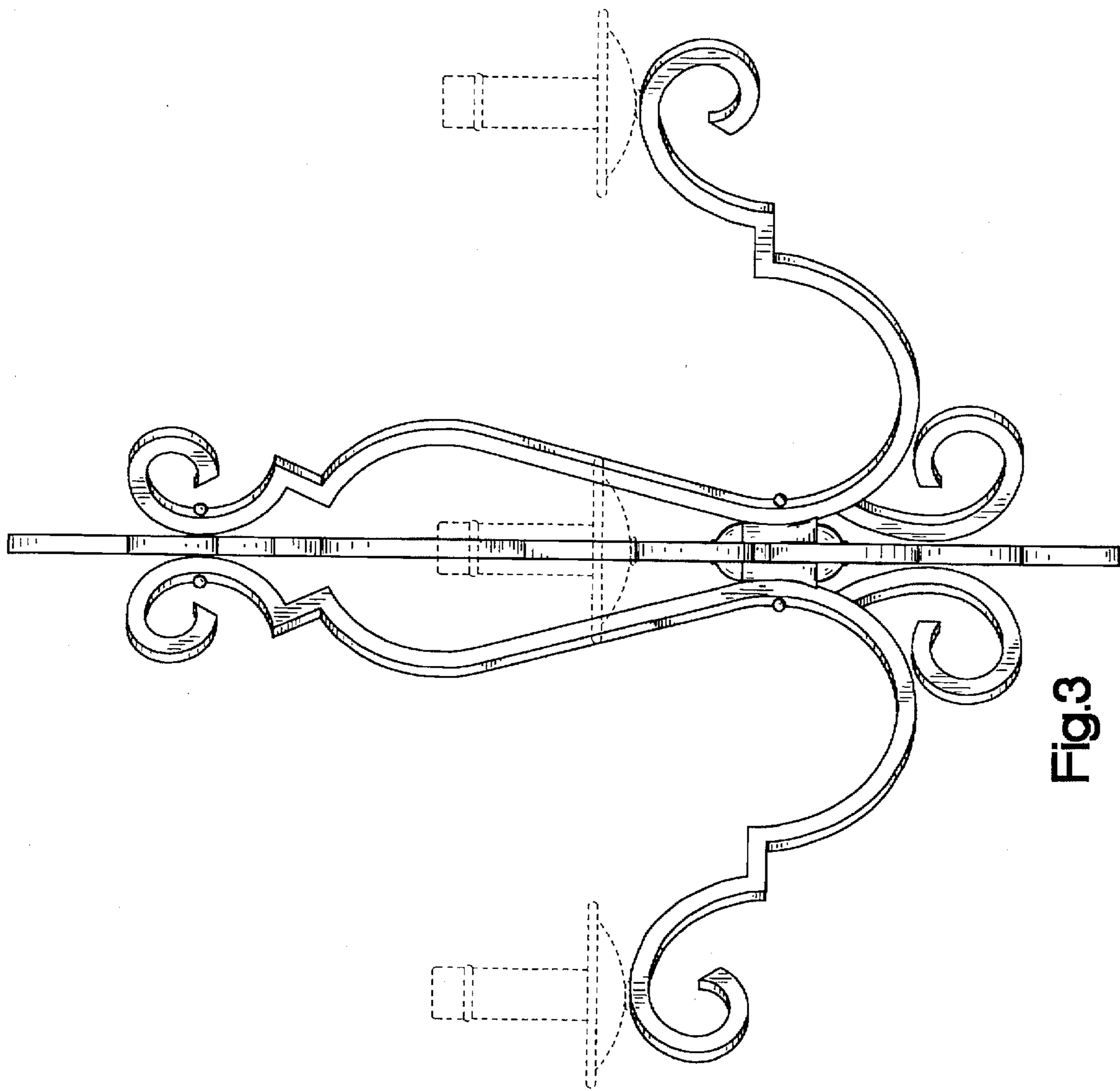


Fig.3

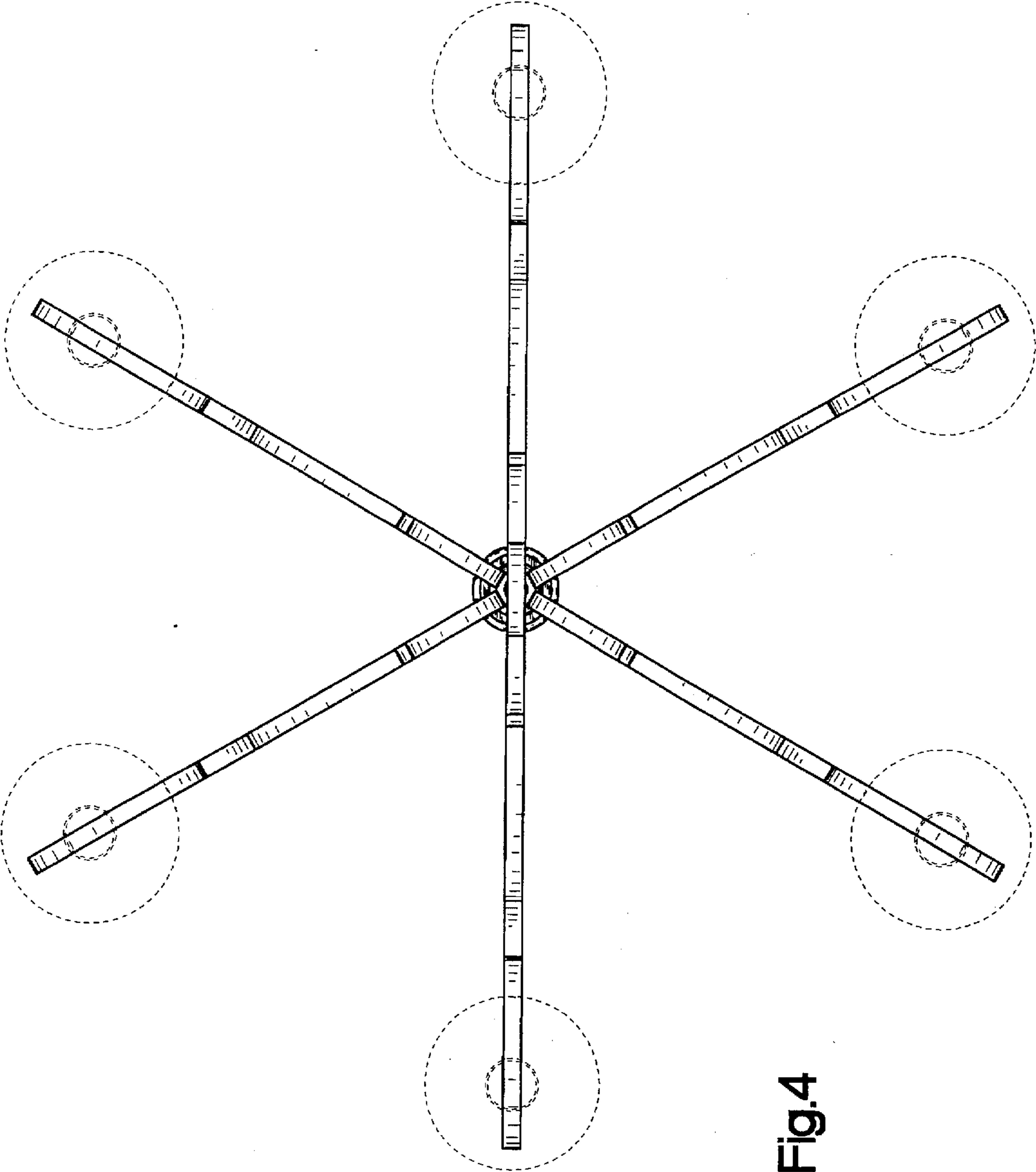


Fig.4

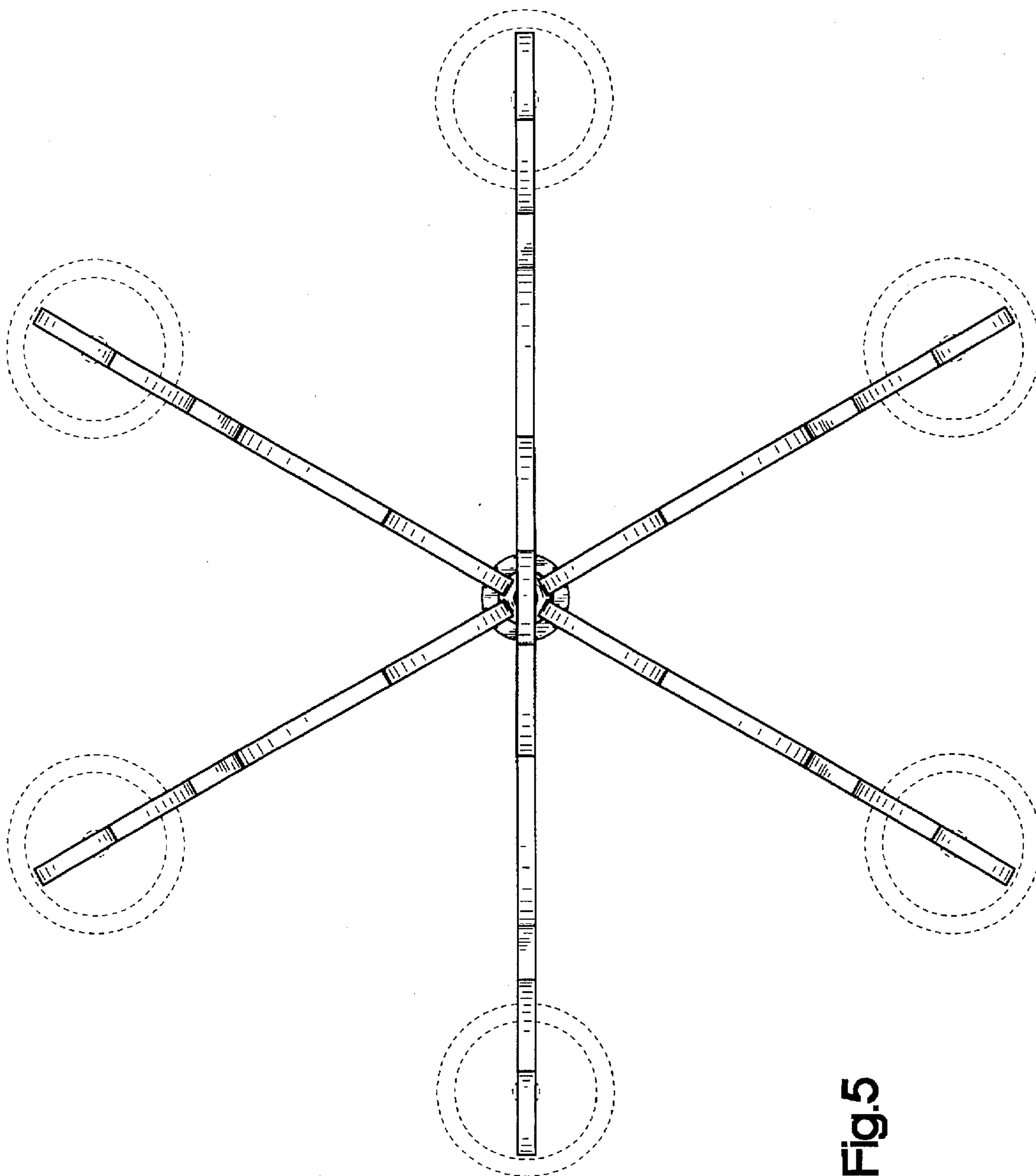


Fig.5