



US00D408092S

United States Patent [19]

Schaak

[11] Patent Number: **Des. 408,092**

[45] Date of Patent: ****Apr. 13, 1999**

[54] **DESK LAMP**

4,974,135 11/1990 Wen-tsung D26/287

[75] Inventor: **Lee Schaak**, Dix Hills, N.Y.

[73] Assignee: **MTLS Lighting Co.**, New York, N.Y.

[**] Term: **14 Years**

[21] Appl. No.: **29/089,350**

[22] Filed: **Jun. 12, 1998**

[51] LOC (6) Cl. **26-05**

[52] U.S. Cl. **D26/62; D26/107**

[58] Field of Search D26/60-66, 93,
D26/102-112; 362/40-44, 418, 419, 427,
269, 275, 287

[56] References Cited

U.S. PATENT DOCUMENTS

D. 243,711	3/1977	Haft	D26/62
D. 353,218	12/1994	Yuen	D26/63
D. 375,378	11/1996	Wang	D26/93
D. 391,665	3/1998	Yang	D26/108

OTHER PUBLICATIONS

B. A. Pargh Co. Inc. catalog, p. 323. Panasonic desk lamp, Jun. 1990.

Primary Examiner—Susan J. Lucas
Attorney, Agent, or Firm—Smith Patent Office

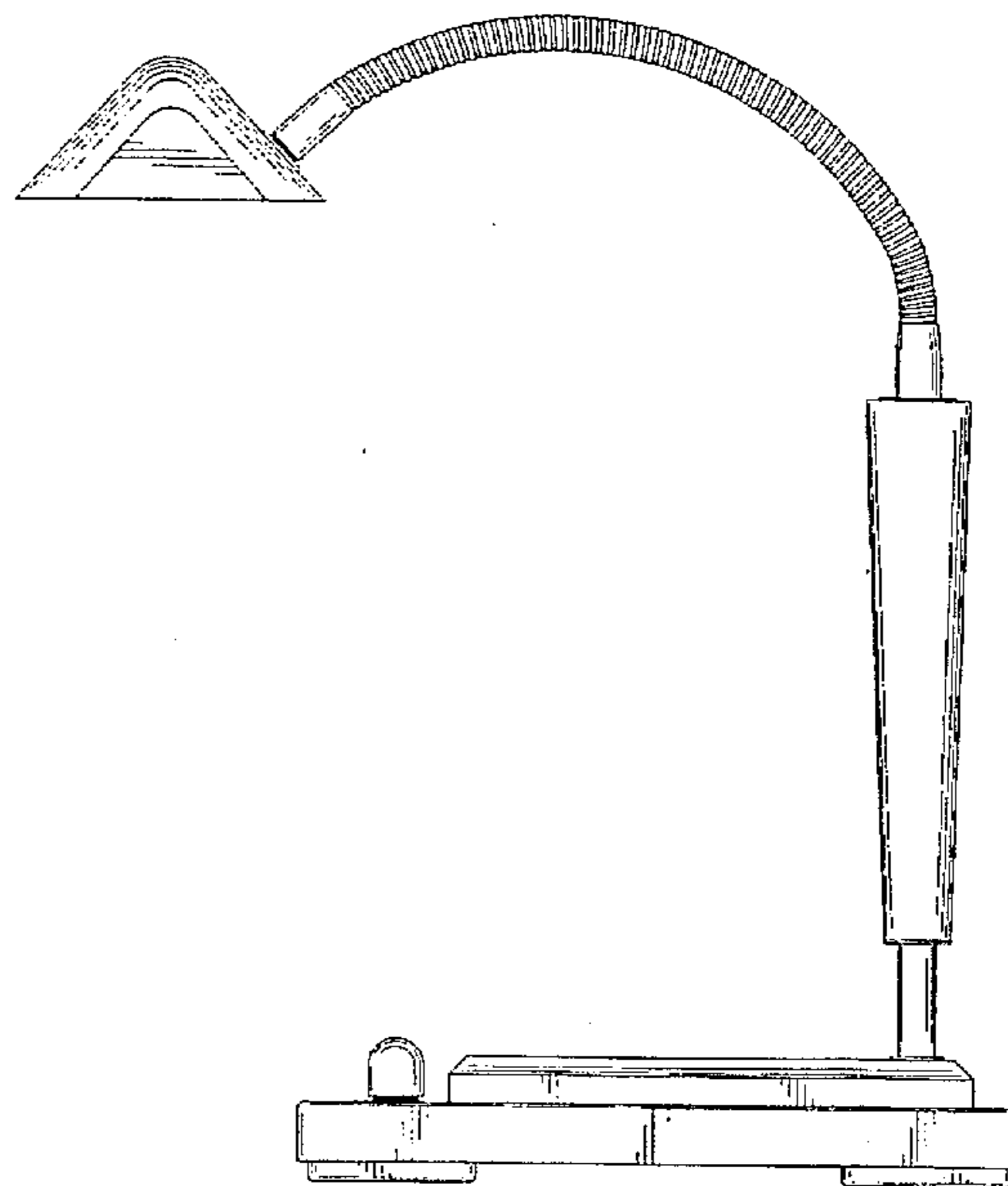
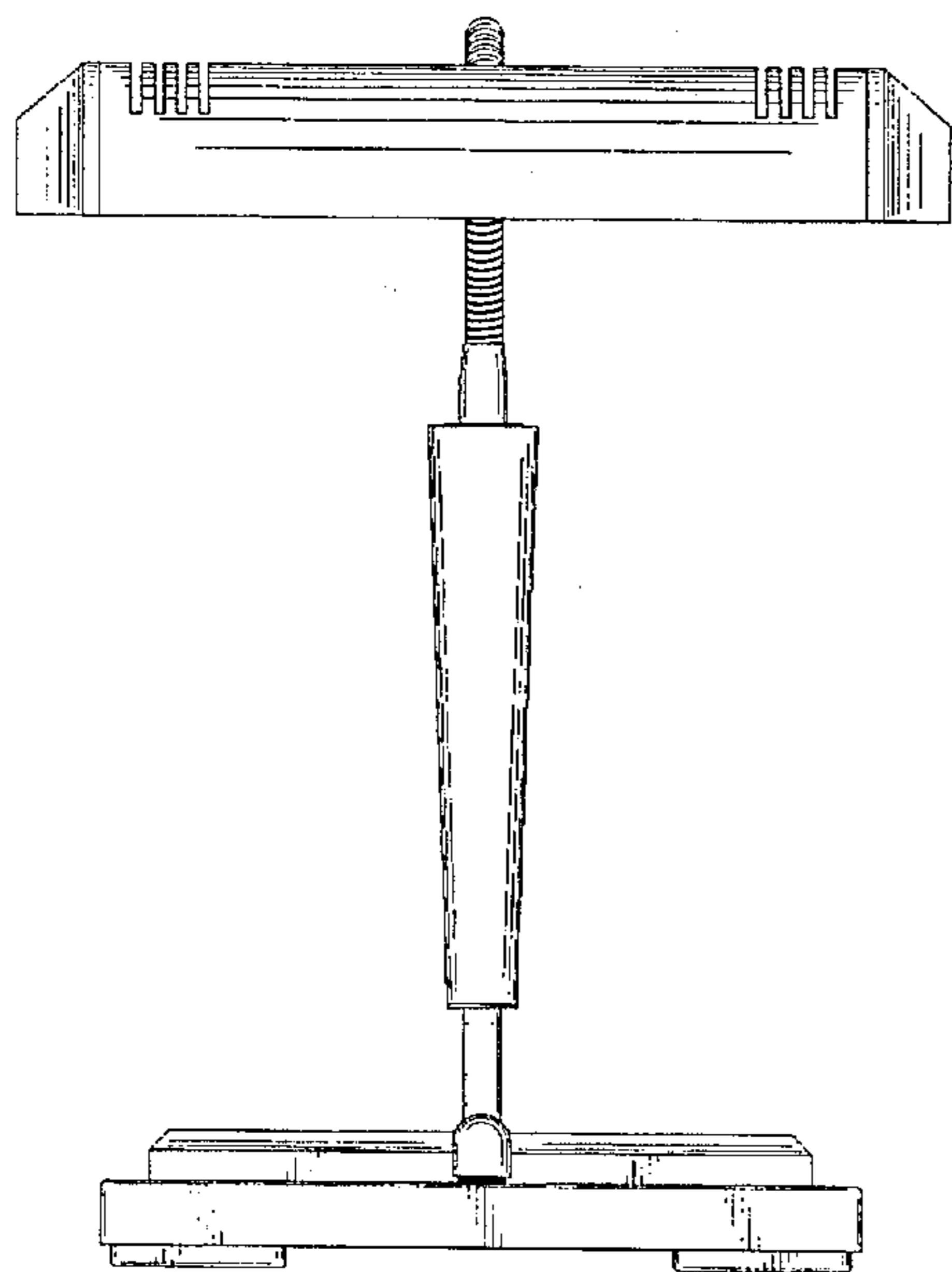
[57] CLAIM

I claim the ornamental design for the desk lamp, as shown and described.

DESCRIPTION

FIG. 1 is a front side view of the desk lamp showing my new design;
FIG. 2 is a rear view of the desk lamp shown in FIG. 1;
FIG. 3 is a right side view of the desk lamp shown in FIG. 1;
FIG. 4 is a left side view of the desk lamp shown in FIG. 1;
FIG. 5 is a top view of the desk lamp shown in FIG. 1; and,
FIG. 6 is a bottom view of the desk lamp shown in FIG. 1.

1 Claim, 6 Drawing Sheets



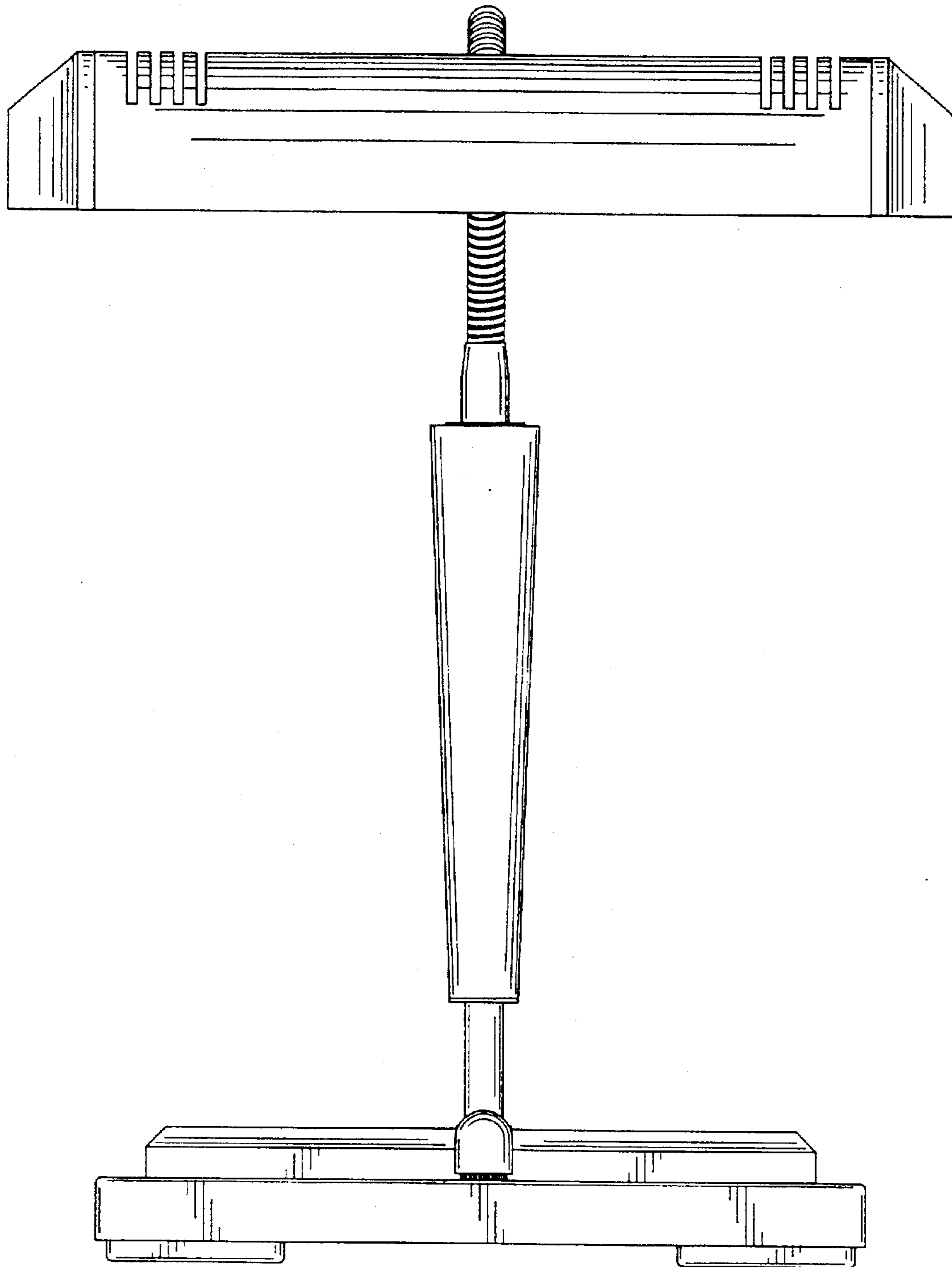


FIG. 1

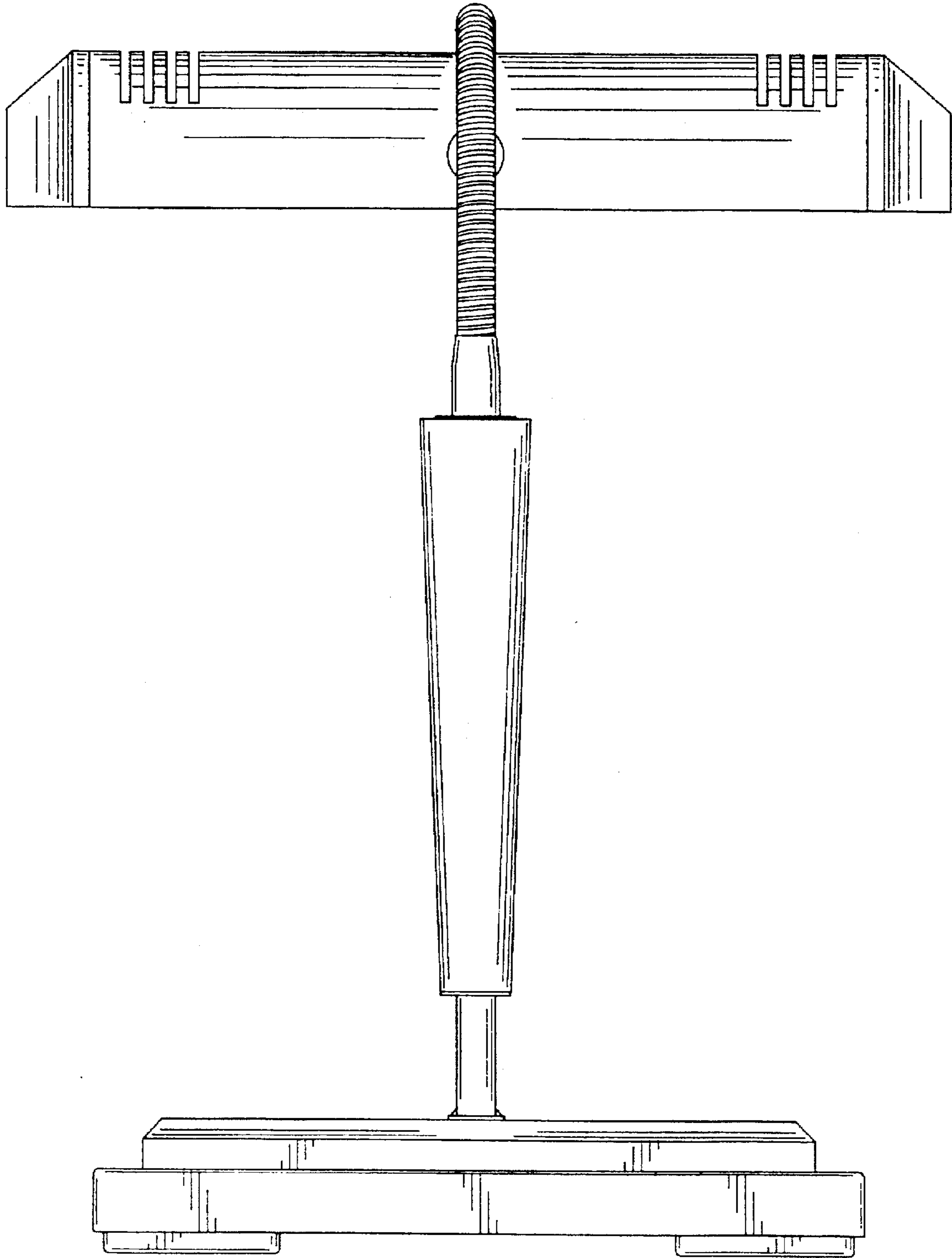


FIG. 2

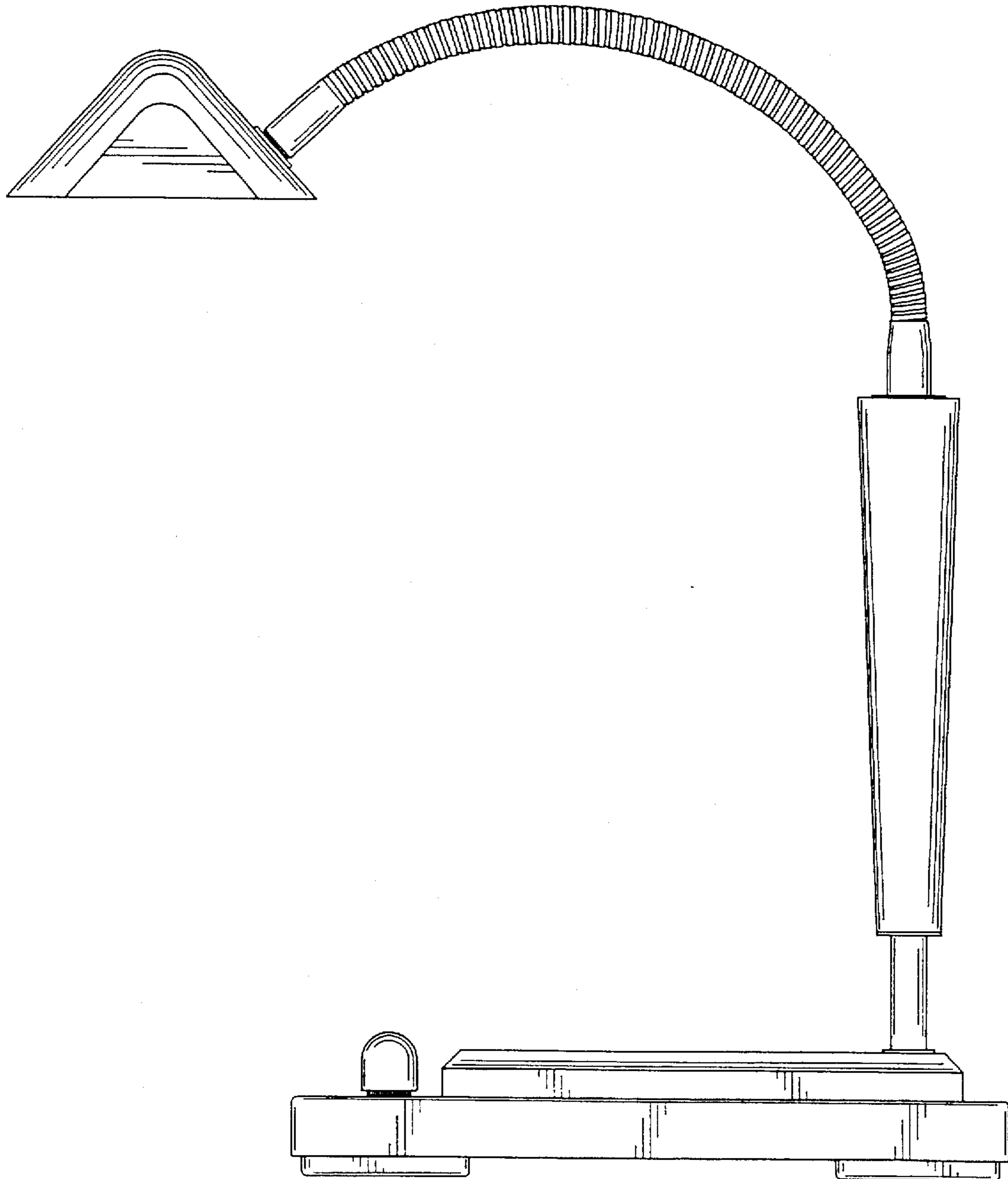


FIG. 3

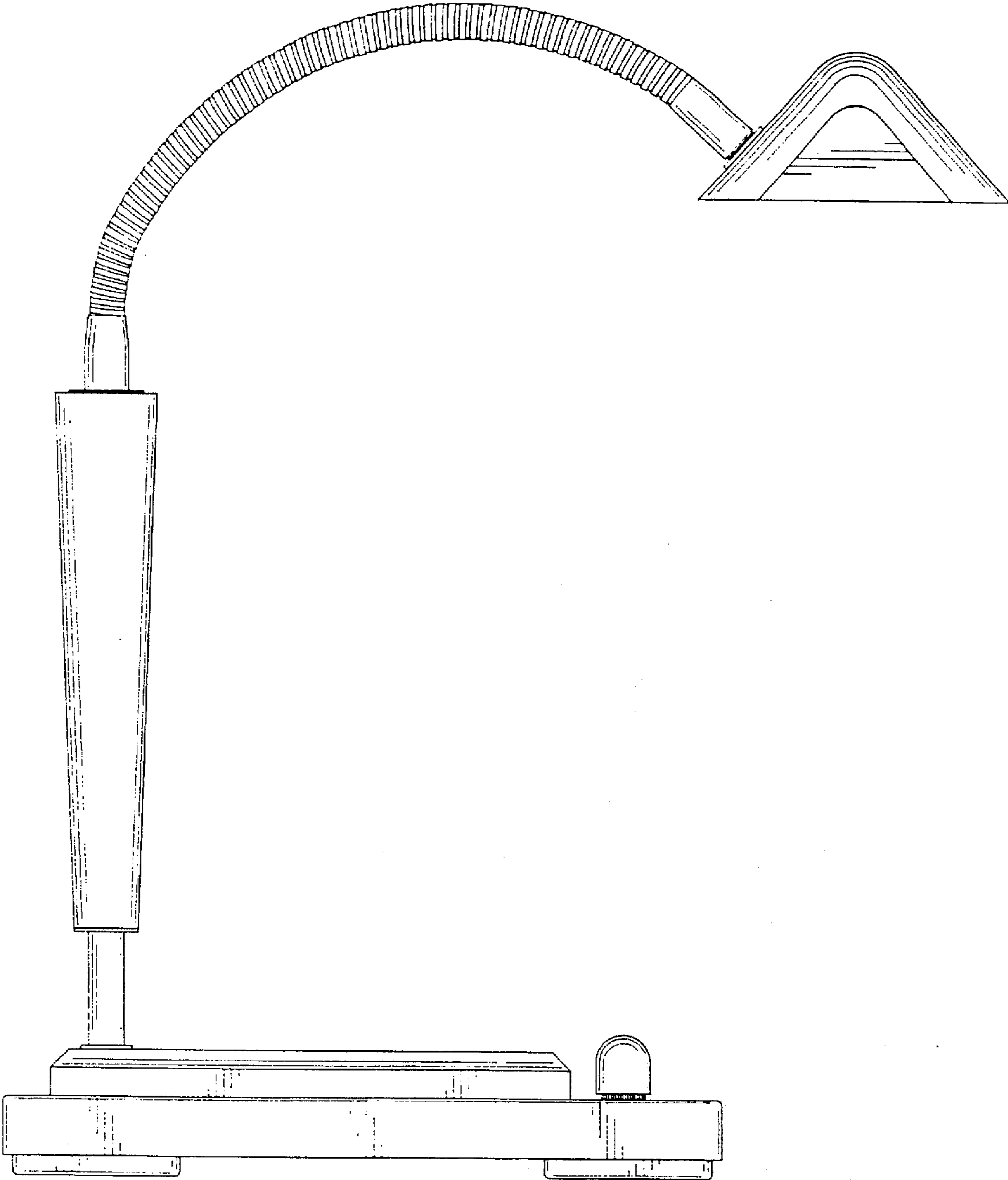


FIG. 4

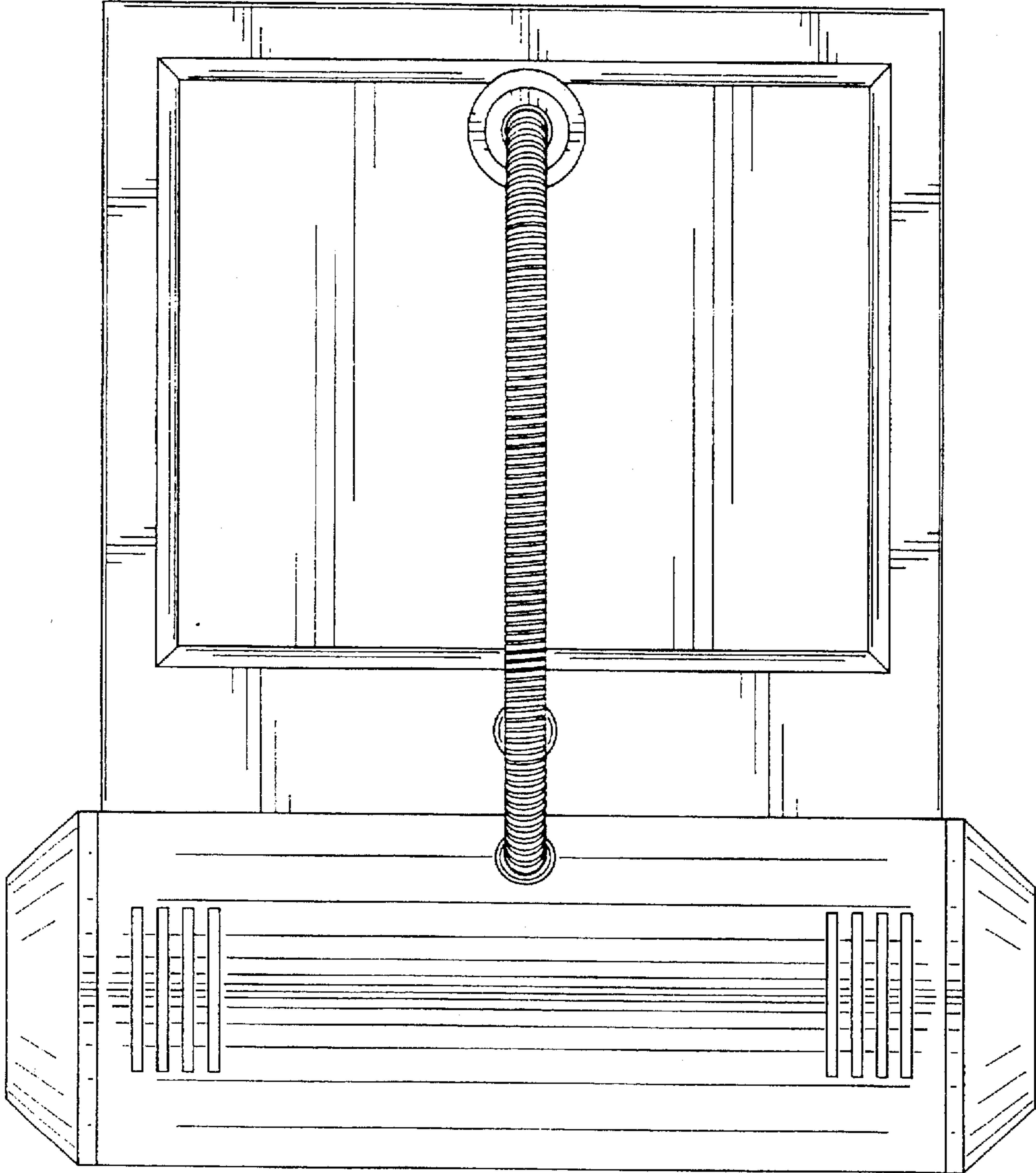


FIG. 5

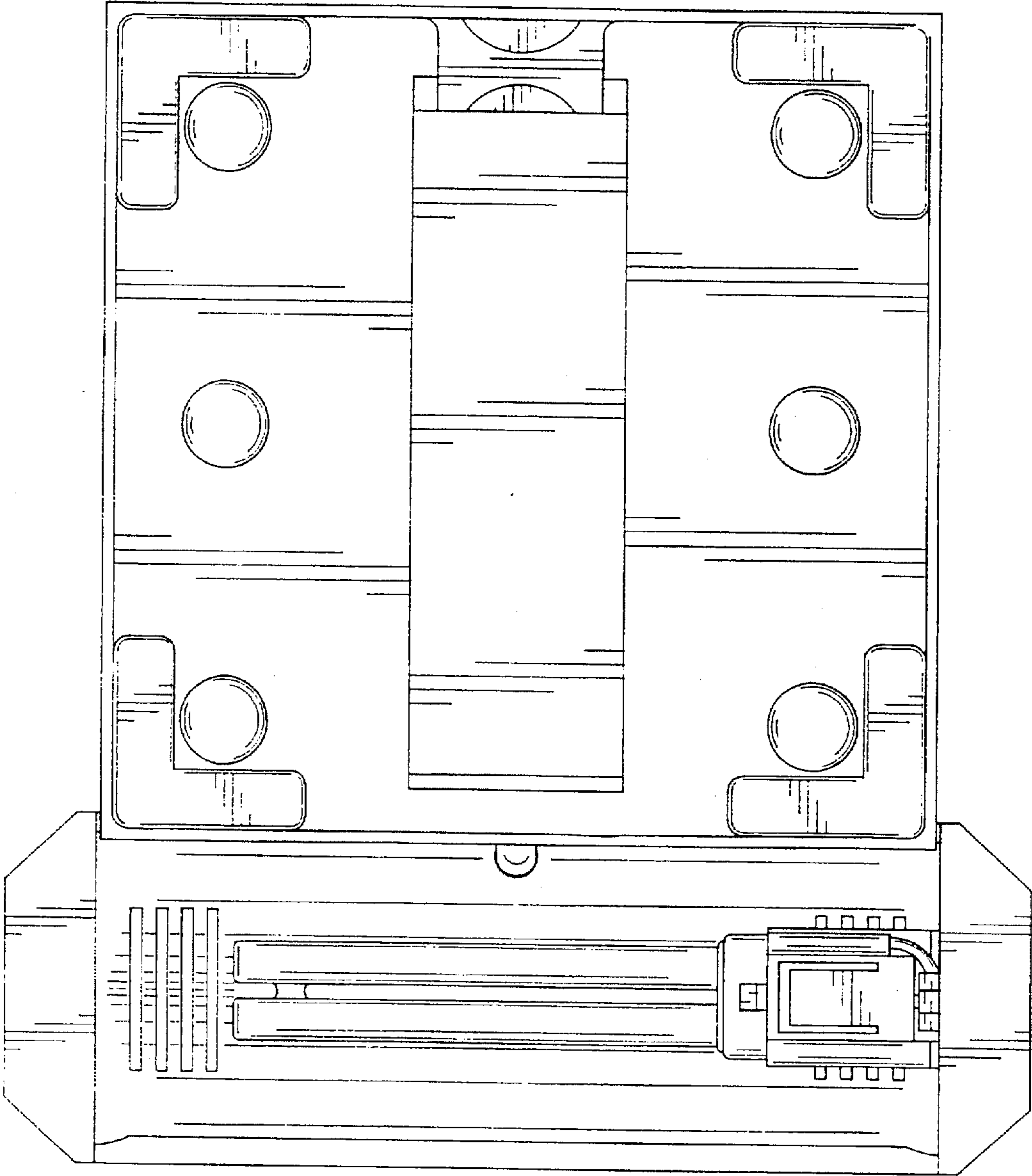


FIG. 6