



US00D408091S

United States Patent [19]
Joyner et al.

[11] **Patent Number: Des. 408,091**

[45] **Date of Patent: **Apr. 13, 1999**

[54] **MINIATURE WORK LIGHT**

D. 374,100 9/1996 Chen D26/60

[75] **Inventors: Donald Wayne Joyner, Greensboro;
Donald C. Andrus, High Point, both of
N.C.**

*Primary Examiner—Susan J. Lucas
Attorney, Agent, or Firm—Niro, Scavone, Haller & Niro*

[73] **Assignee: Regent Lighting Corporation,
Burlington, N.C.**

[57] **CLAIM**

[**] **Term: 14 Years**

The ornamental design for a “miniature work light”, as shown and described.

[21] **Appl. No.: 29/078,271**

DESCRIPTION

[22] **Filed: Oct. 22, 1997**

FIG. 1 is a perspective view of the invention;

[51] **LOC (6) Cl. 26-05**

FIG. 2 is a top view thereof;

[52] **U.S. Cl. D26/60; D26/63**

FIG. 3 is a right view thereof;

[58] **Field of Search D26/60-66; 362/396.
362/267, 275, 285, 287, 418, 419, 427**

FIG. 4 is a front view thereof;

FIG. 5 is a left view thereof;

FIG. 6 is a back view thereof; and,

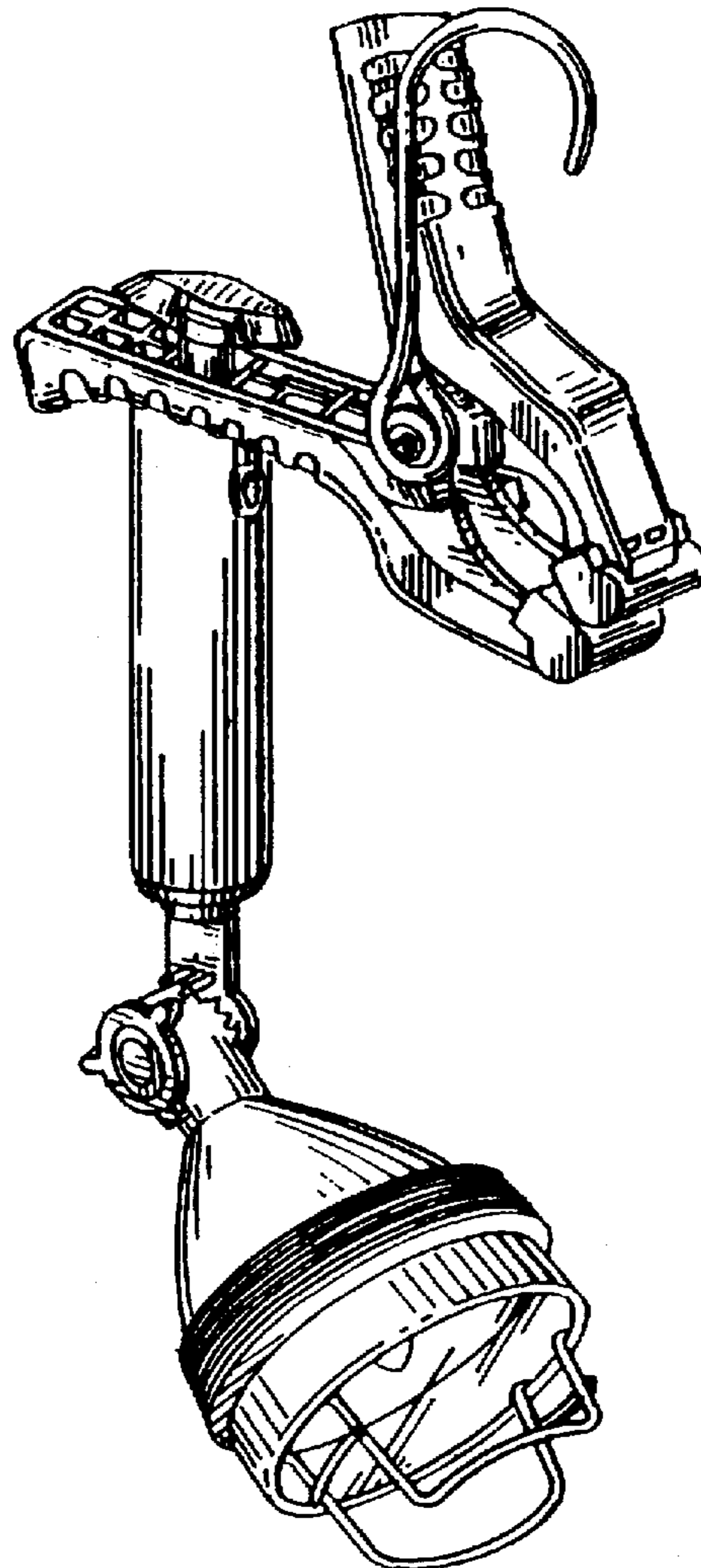
FIG. 7 is a bottom view thereof.

[56] **References Cited**

U.S. PATENT DOCUMENTS

D. 287,644 1/1987 Gierke D26/60

1 Claim, 2 Drawing Sheets



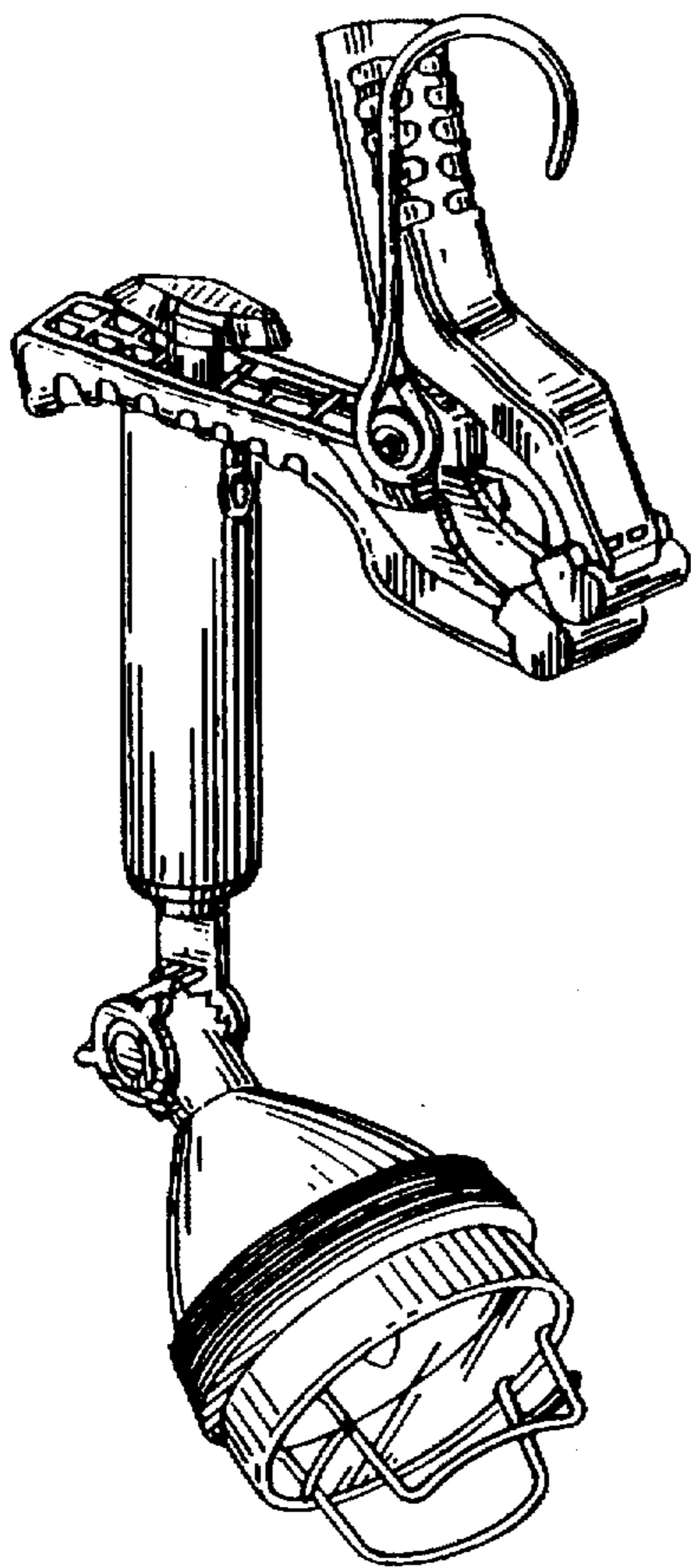


FIG. 1

FIG. 2

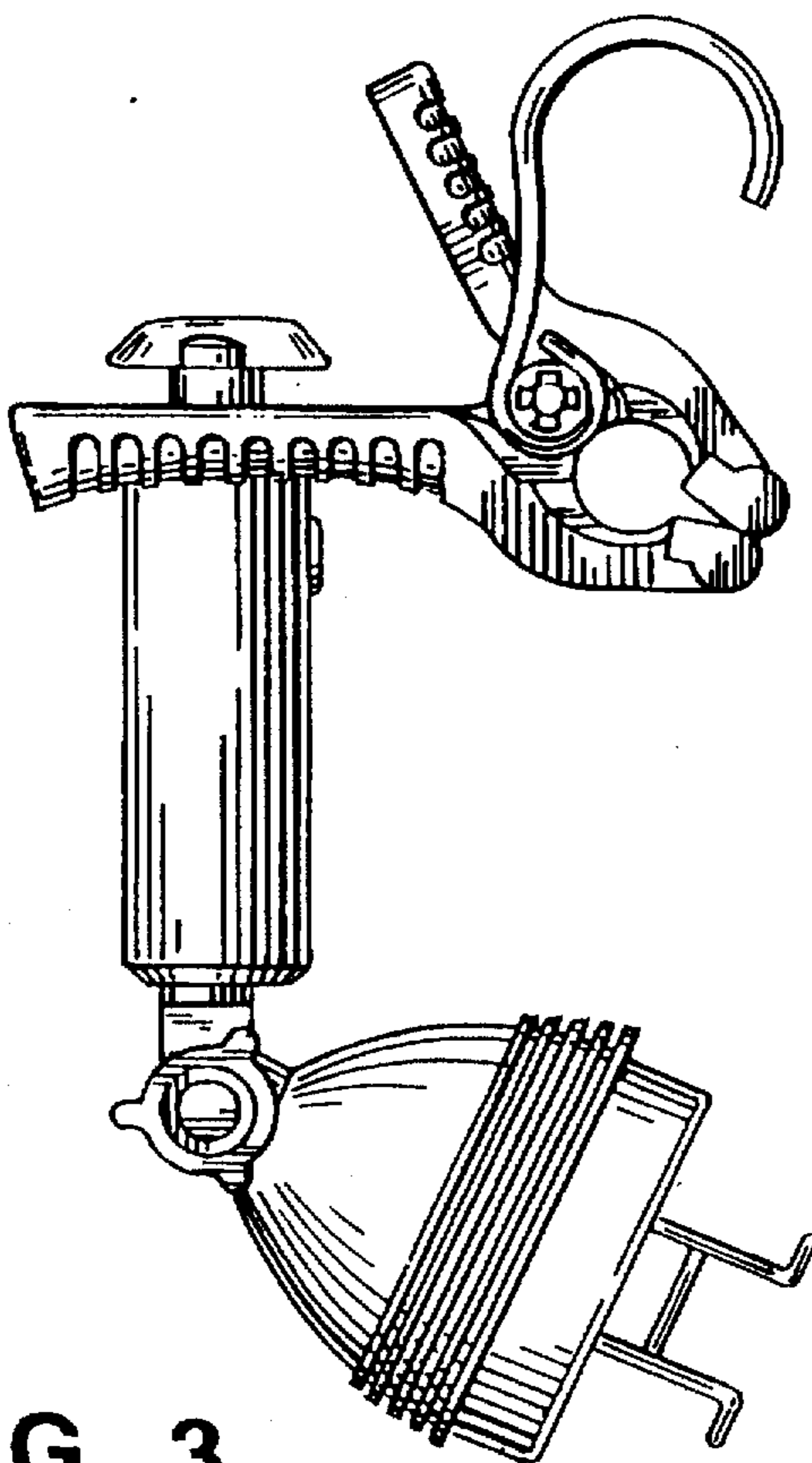
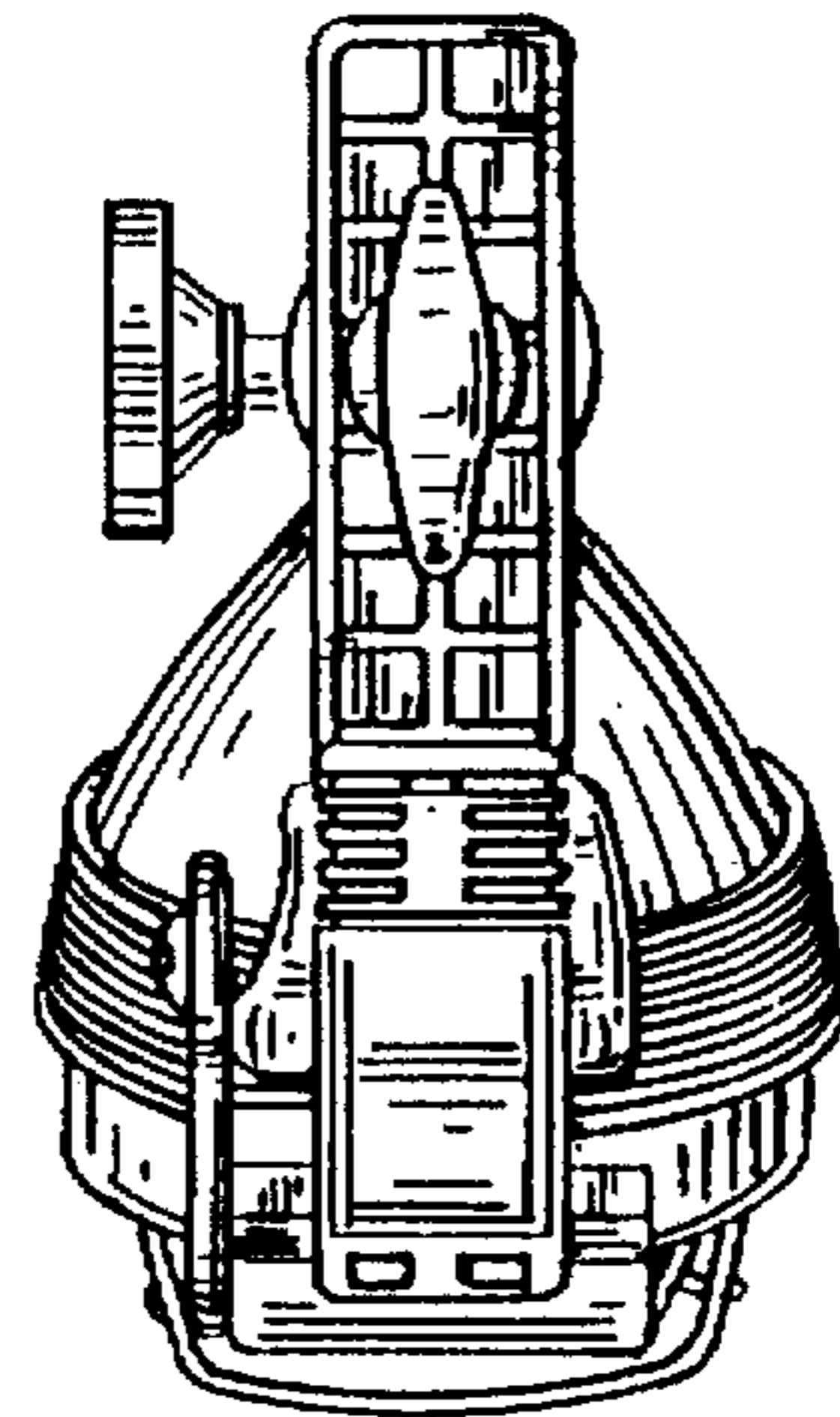


FIG. 3

FIG. 4

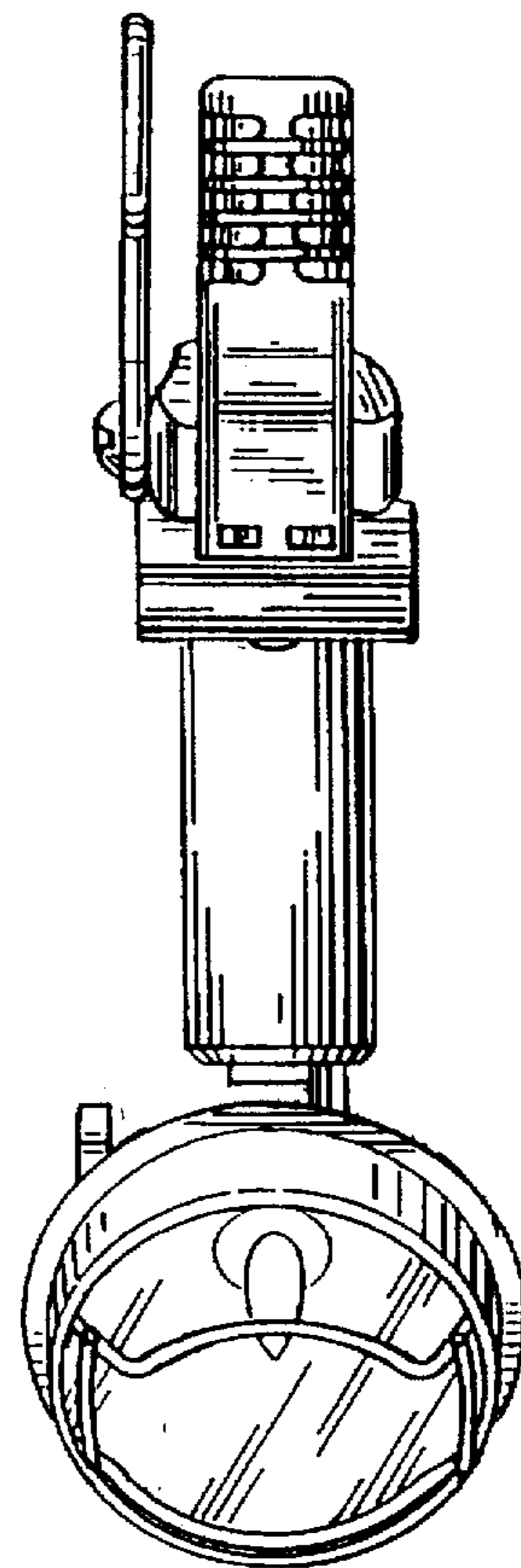


FIG. 5

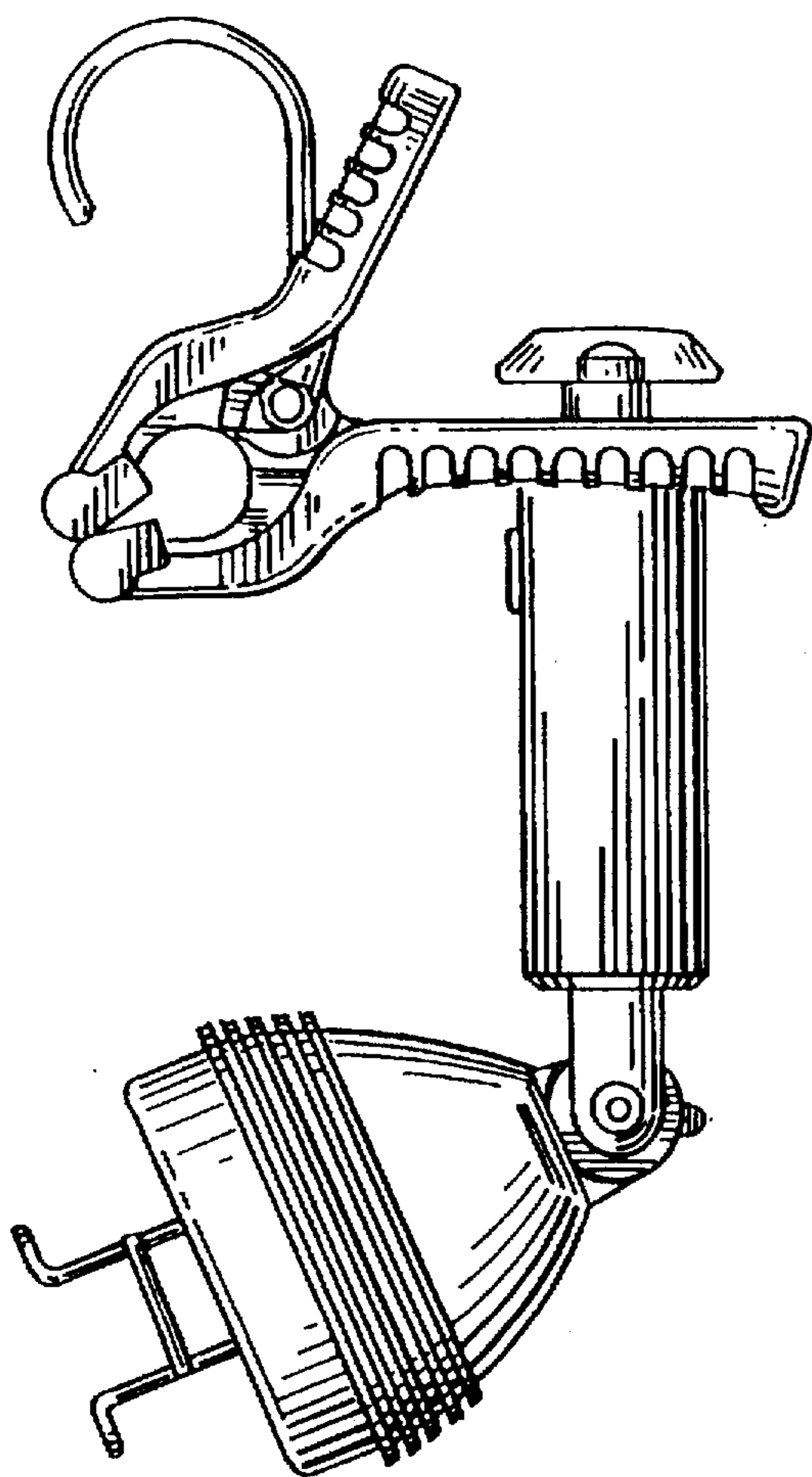


FIG. 6

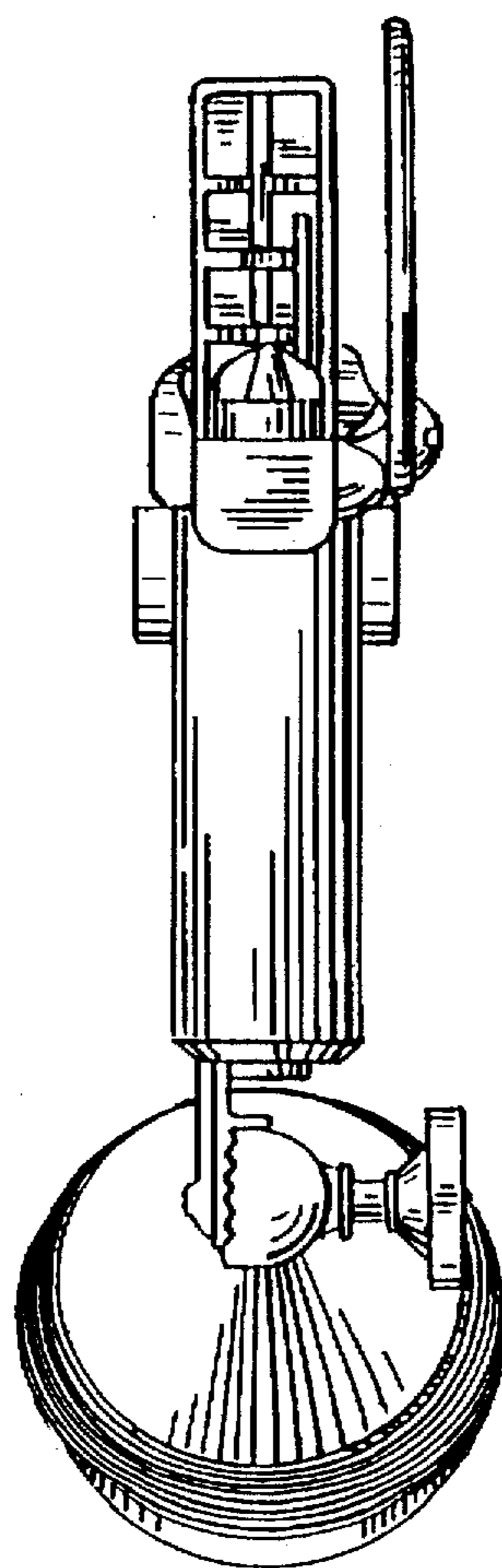


FIG. 7

