



US00D408090S

# United States Patent [19]

Monteleone et al.

[11] Patent Number: **Des. 408,090**

[45] Date of Patent: **\*\*Apr. 13, 1999**

[54] SAFETY FLASHLIGHT

[75] Inventors: **William J. Monteleone**, San Clemente;  
**Elmer F. Fischer**, San Diego, both of Calif.

[73] Assignee: **Underwater Kinetics**, San Marcos, Calif.

[\*\*] Term: **14 Years**

[21] Appl. No.: **29/068,479**

[22] Filed: **Mar. 21, 1997**

[51] LOC (6) Cl. .... **26-02**

[52] U.S. Cl. .... **D26/37; D26/49**

[58] Field of Search ..... **D26/37-50; 362/157, 362/158, 183-208**

[56] **References Cited**

**U.S. PATENT DOCUMENTS**

- D. 322,138 12/1991 Davies ..... D26/49
- D. 351,477 10/1994 Bamber ..... D26/49

- D. 360,045 7/1995 Inukai ..... D26/49
- D. 383,234 9/1997 Smith ..... D26/49
- 2,518,437 8/1950 Amstutz ..... D26/49
- 2,726,321 12/1955 Riotto ..... D26/49
- 3,017,502 1/1962 Dent ..... D26/49

*Primary Examiner*—Marcus A. Jackson  
*Attorney, Agent, or Firm*—Michael H. Jester

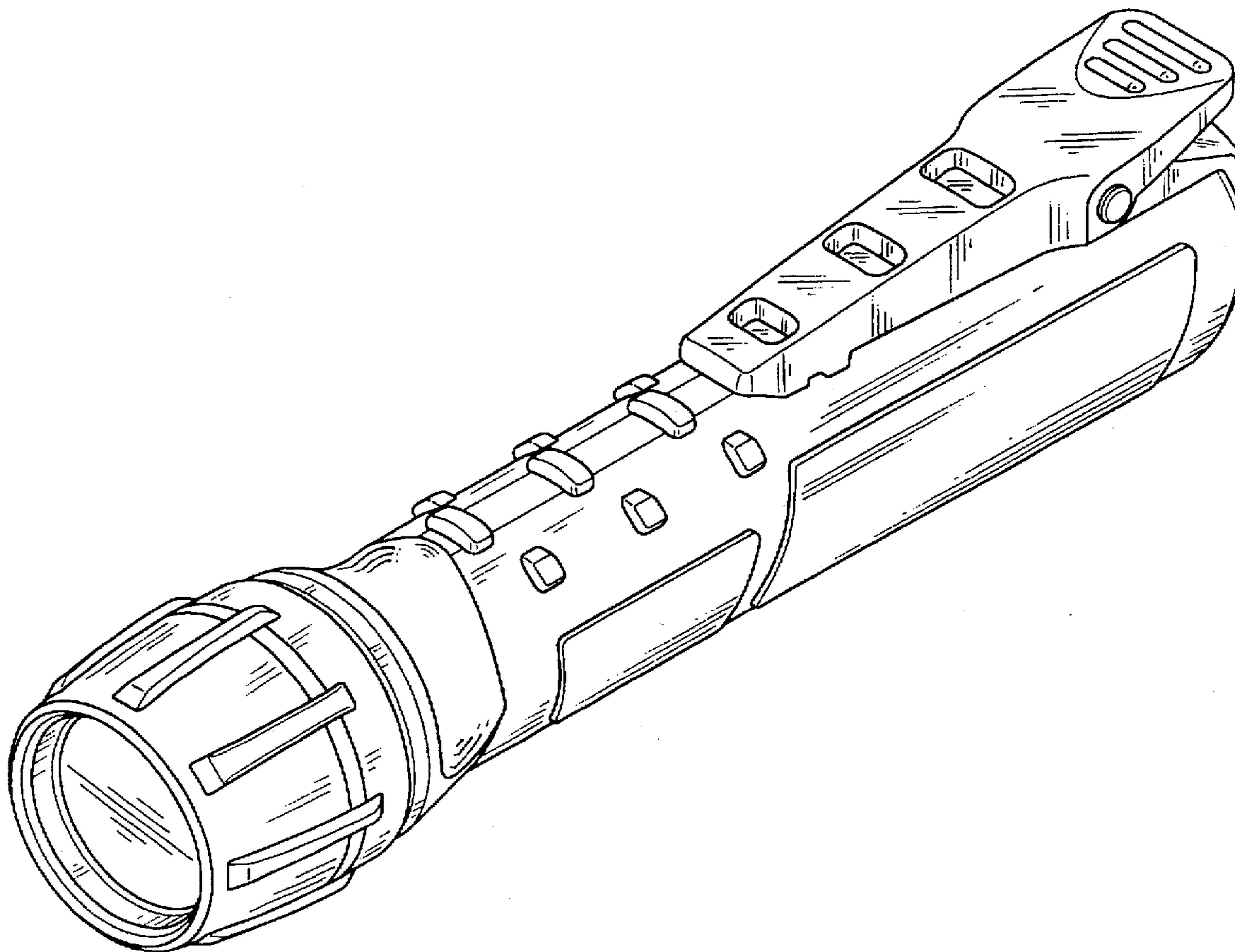
[57] **CLAIM**

The ornamental design for a safety flashlight, as shown and described.

**DESCRIPTION**

FIG. 1 is a perspective view of a safety flashlight, showing our new design;  
FIG. 2 is a left side elevational view thereof;  
FIG. 3 is a right side elevational view thereof;  
FIG. 4 is a top plan view thereof;  
FIG. 5 is a bottom plan view thereof;  
FIG. 6 is a front end view thereof; and,  
FIG. 7 is a rear end view thereof.

**1 Claim, 2 Drawing Sheets**



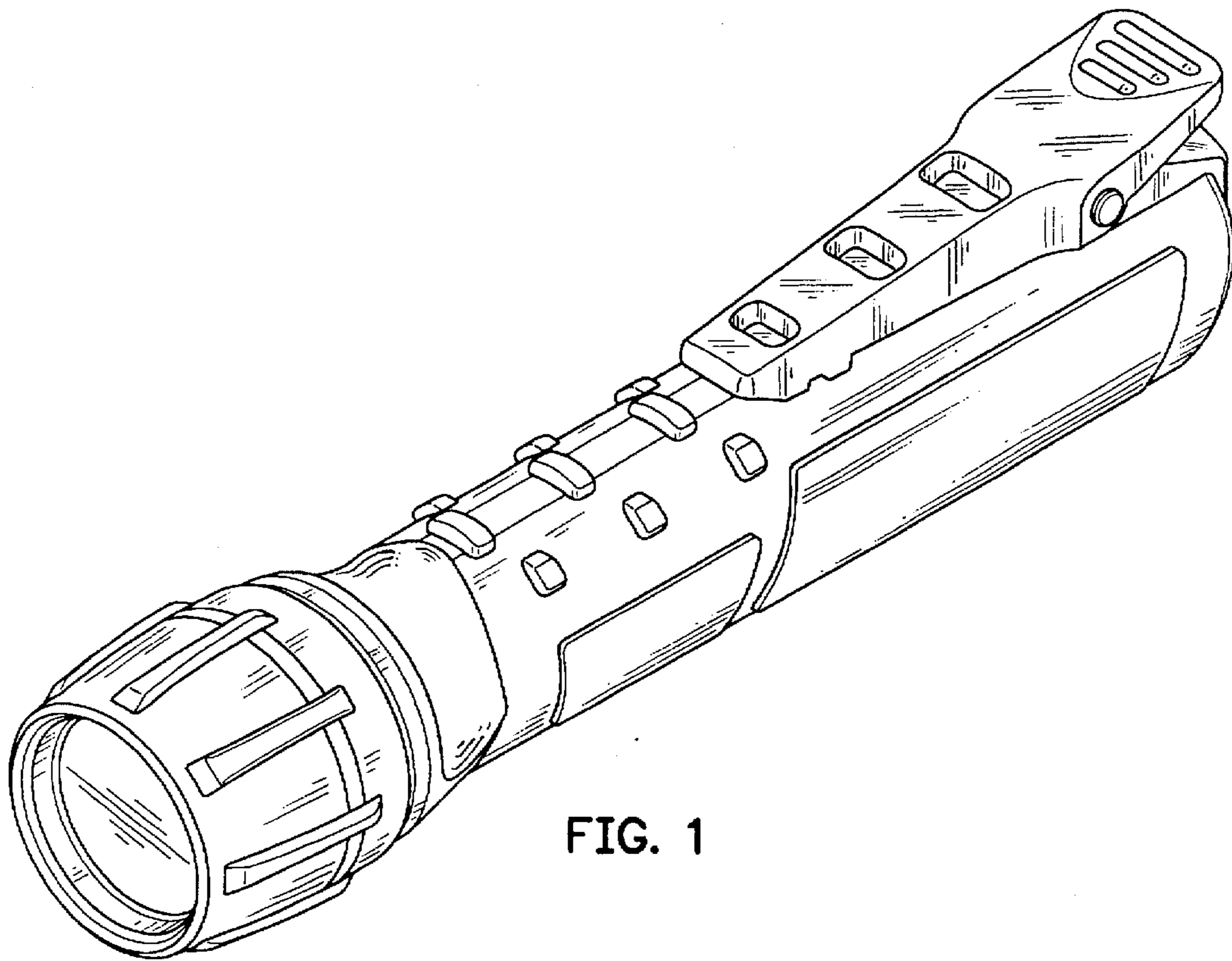


FIG. 1

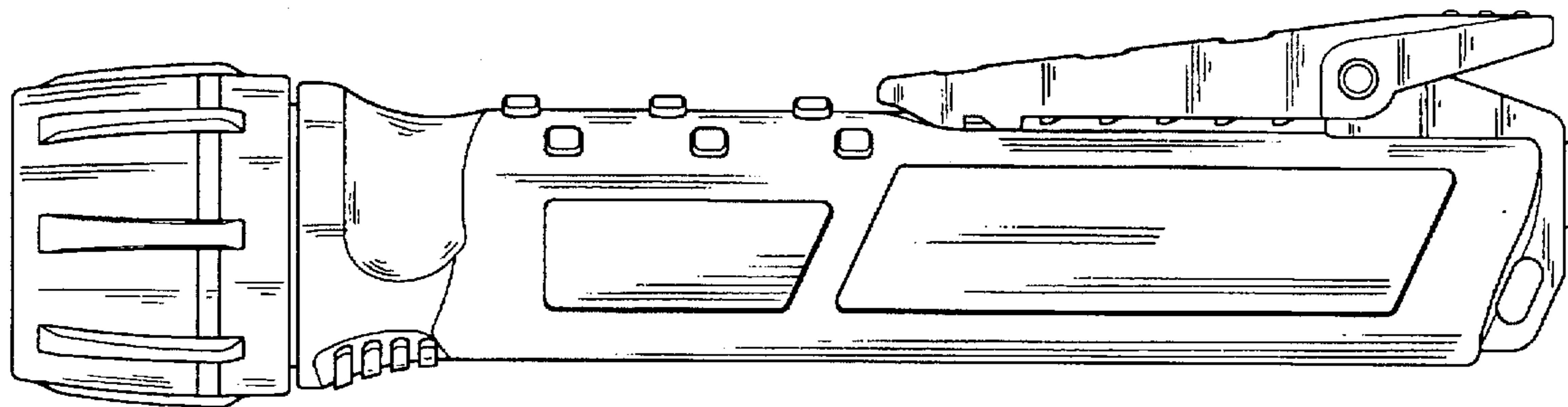


FIG. 2

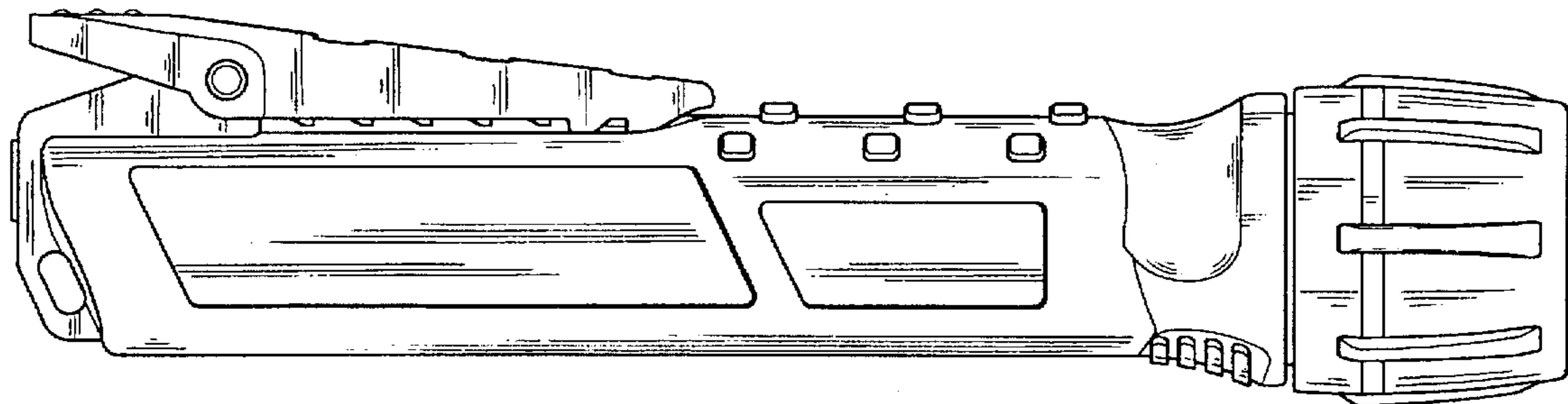


FIG. 3

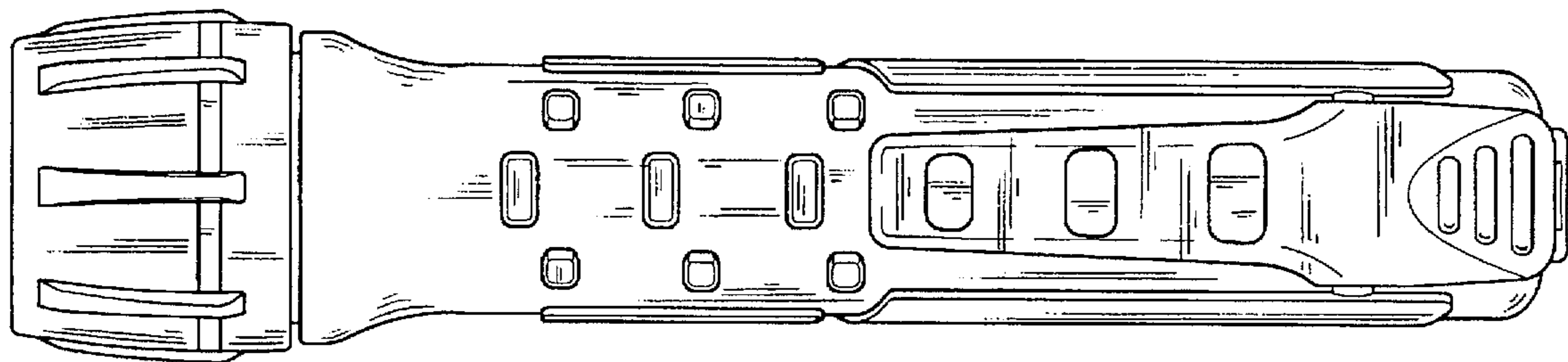


FIG. 4

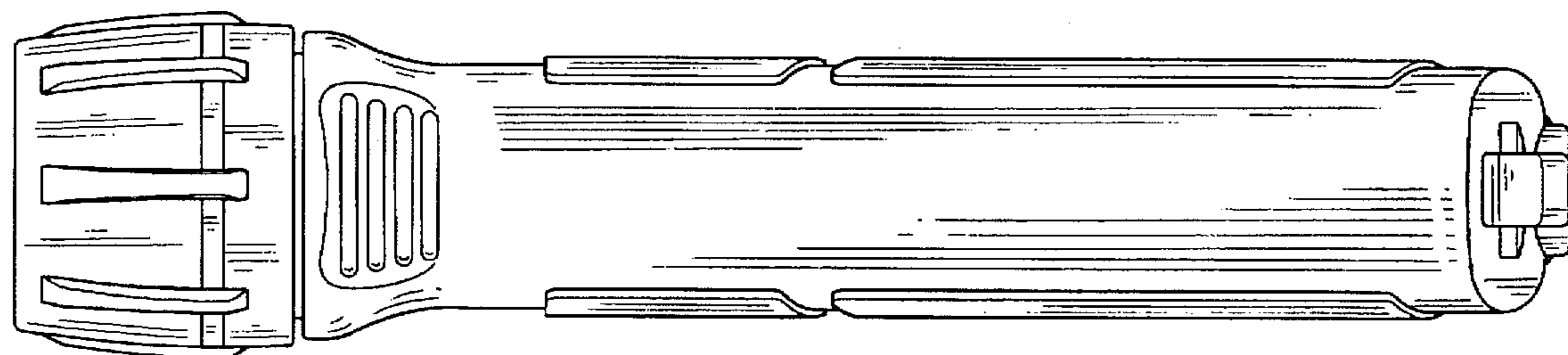


FIG. 5

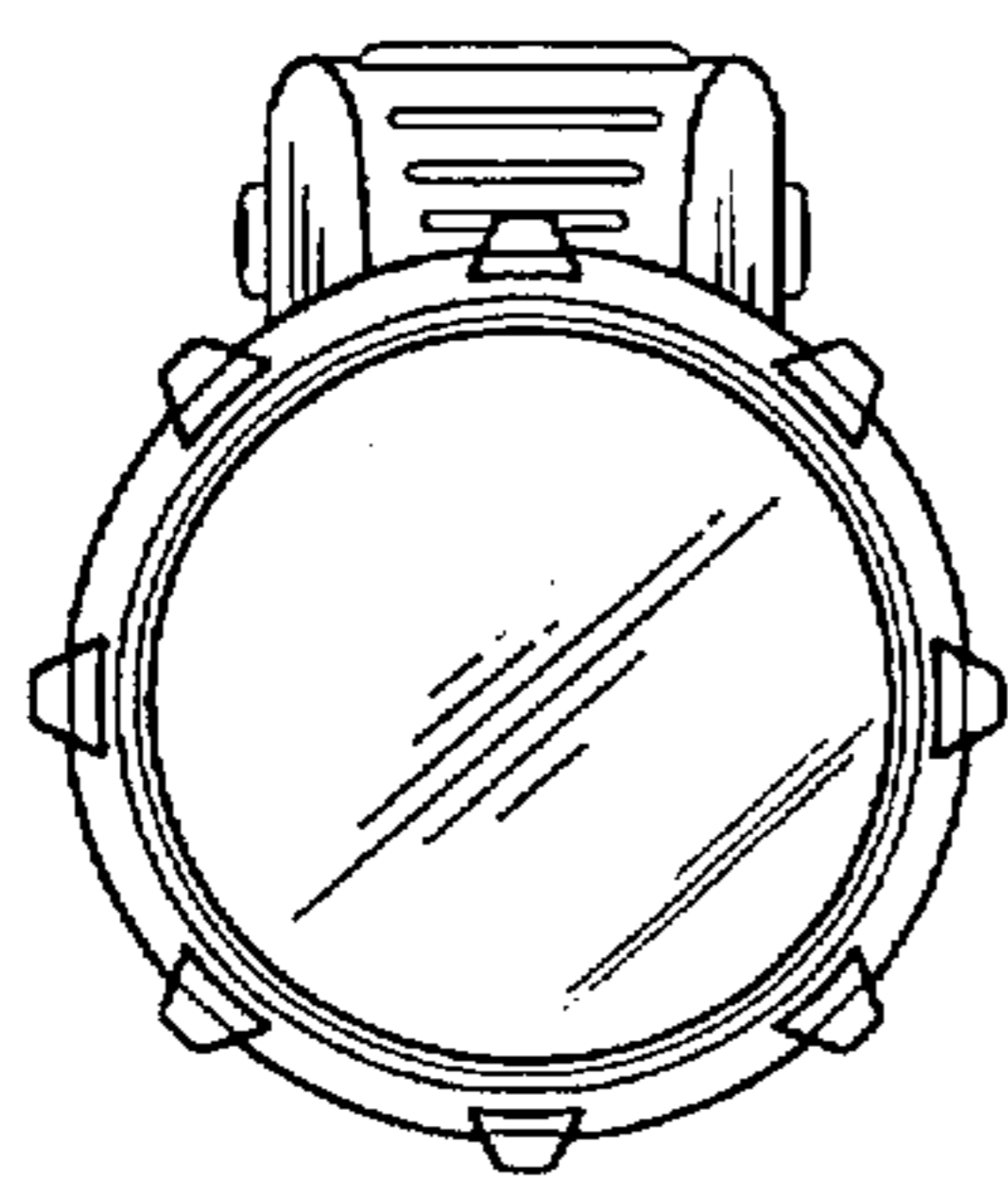


FIG. 6

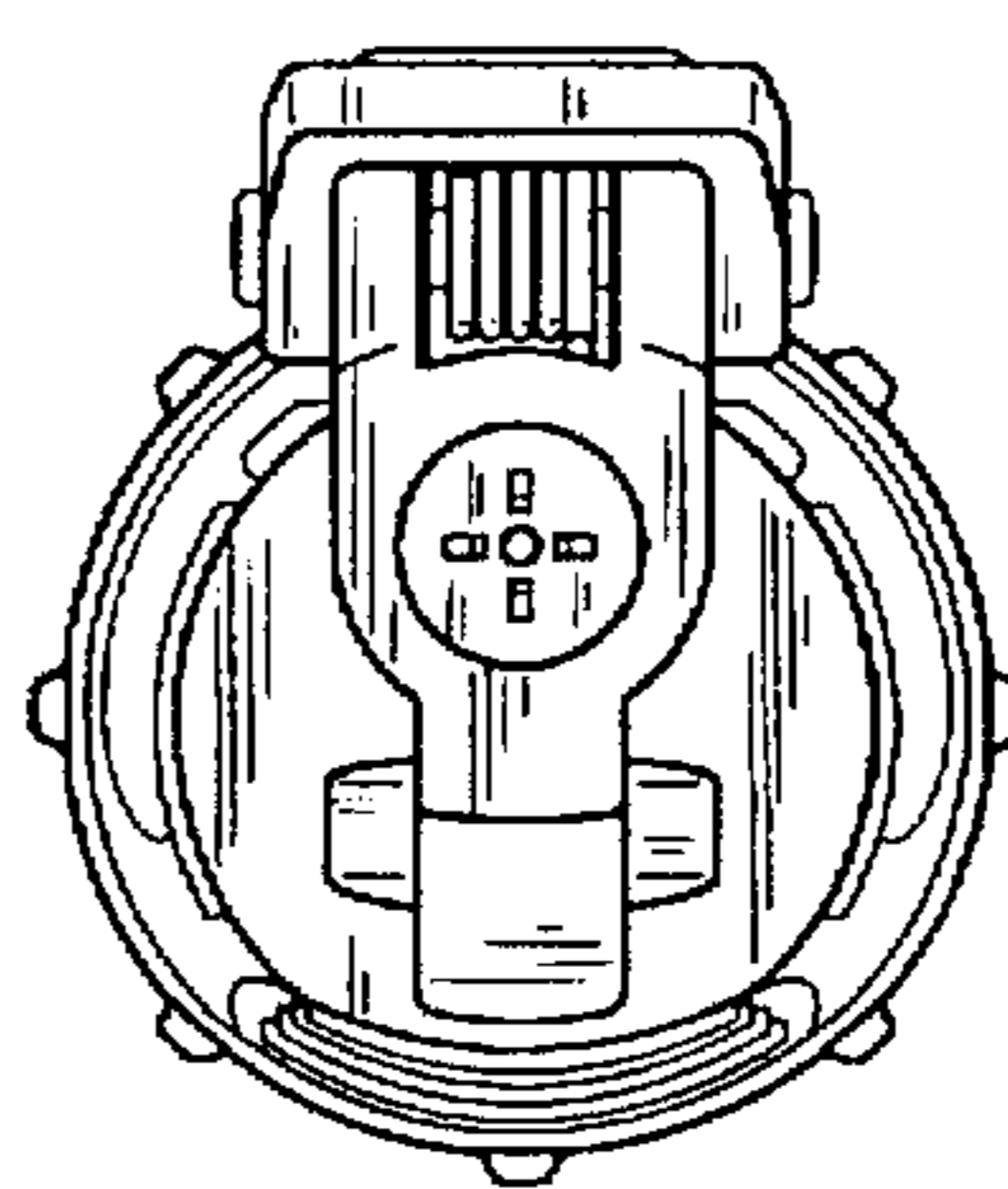


FIG. 7