



US00D408084S

United States Patent [19]

[11] Patent Number: **Des. 408,084**

Davis, Jr. et al.

[45] Date of Patent: ****Apr. 13, 1999**

[54] **MODULAR BANK STATION**

[75] Inventors: **Louis O. Davis, Jr.**, Palm Beach Gardens; **Rita Groton**, Lake Worth; **Hunter T. Foy**, Boca Raton; **Michael Thiem**, Stuart, all of Fla.

[73] Assignee: **First Bank of Florida**, West Palm Beach, Fla.

[**] Term: **14 Years**

[21] Appl. No.: **29/060,287**

[22] Filed: **Sep. 6, 1996**

Related U.S. Application Data

[62] Division of application No. 08/642,458, May 3, 1996.

[51] LOC (6) Cl. **25-03**

[52] U.S. Cl. **D25/16**

[58] Field of Search D25/16, 1, 33;
52/36.1, 36.2, 79.1

[56] **References Cited**

U.S. PATENT DOCUMENTS

D. 313,077 12/1990 Minarro D25/16

Primary Examiner—Doris Clark
Attorney, Agent, or Firm—Malin, Haley, DiMaggio & Crosby, P.A.

[57] **CLAIM**

The ornamental design for a modular bank station, as shown and described.

DESCRIPTION

FIG. 1 is a front isometric view of a modular bank station, showing the new design;

FIG. 2 is a front elevational view thereof;

FIG. 3 is a right side elevational view thereof, the left side being a mirror image thereof;

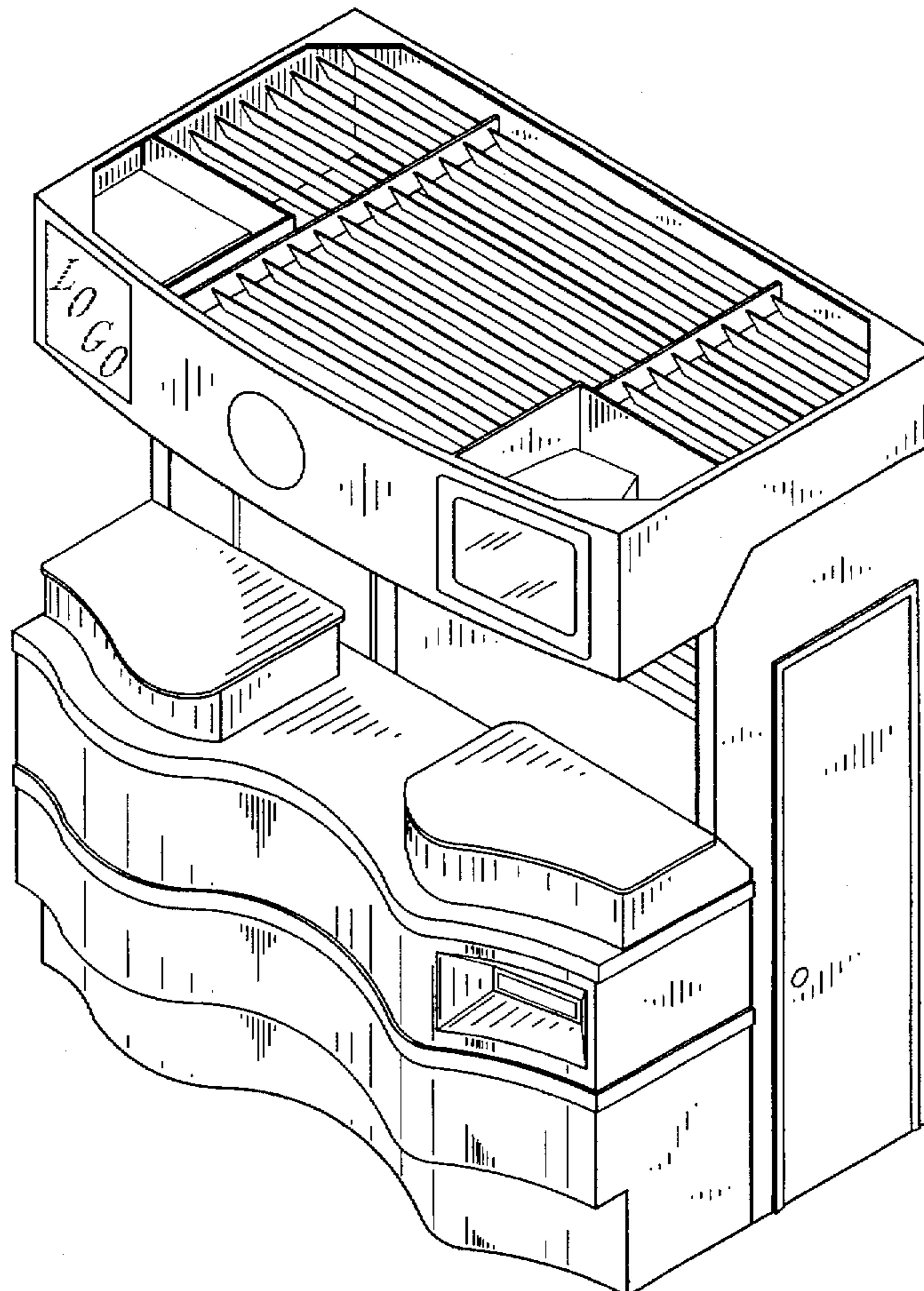
FIG. 4 is a front isometric exploded view thereof;

FIG. 5 is a top plan view thereof; and,

FIG. 6 is a rear elevational view thereof.

The broken lines of the word logo is for illustrative purposes only and forms no part of the claimed design.

1 Claim, 5 Drawing Sheets



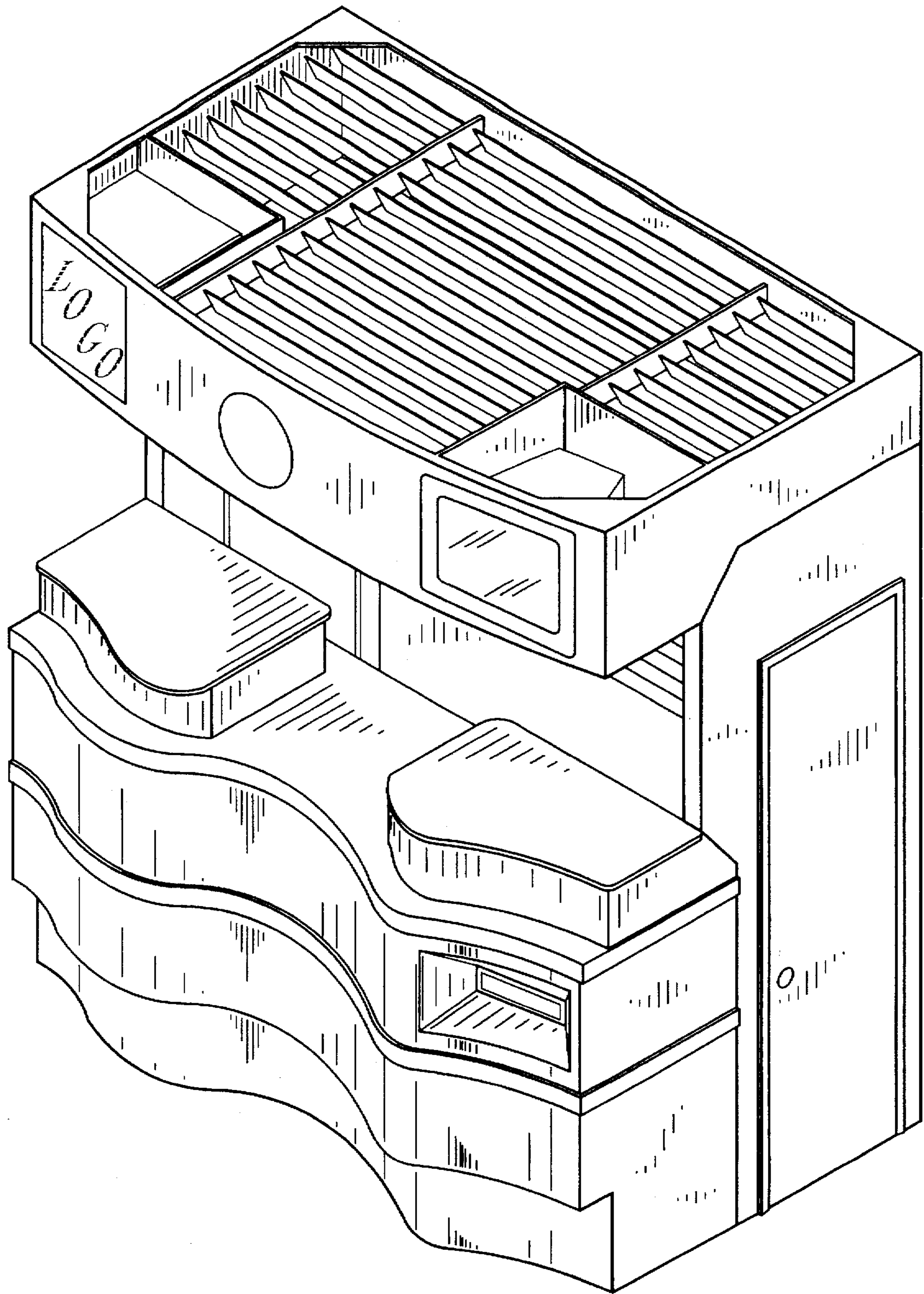


Fig. 1

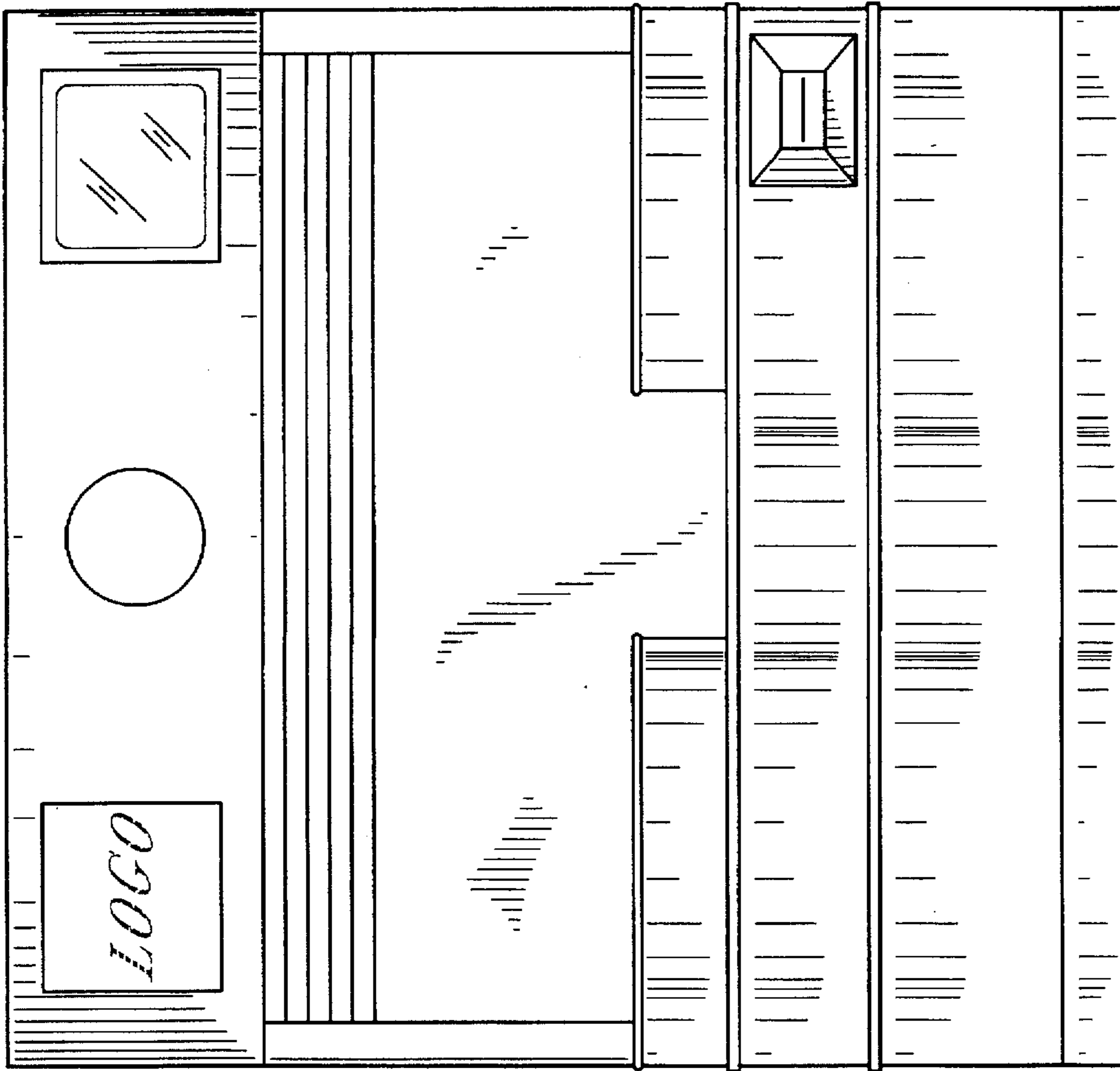


Fig. 2

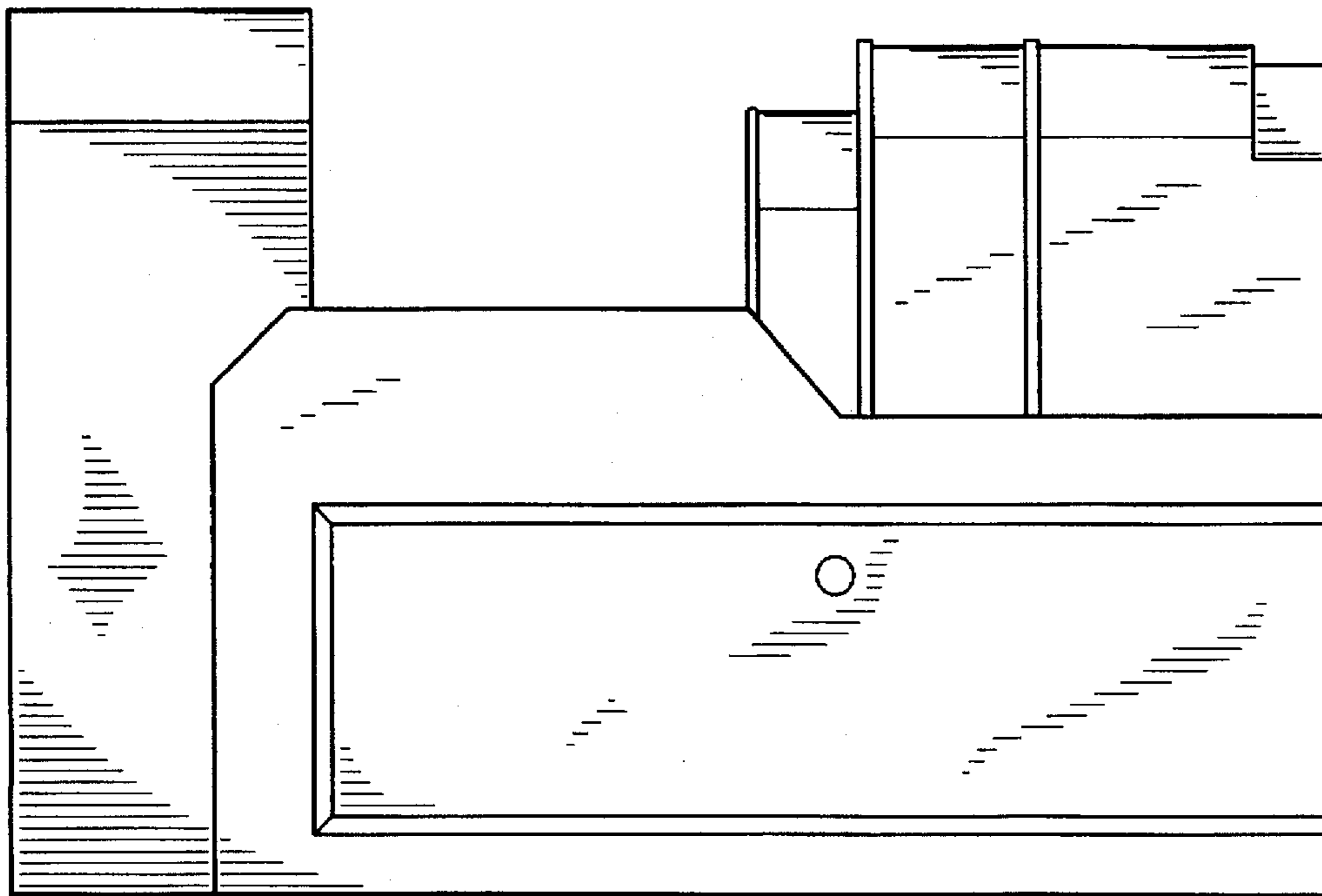


Fig. 3

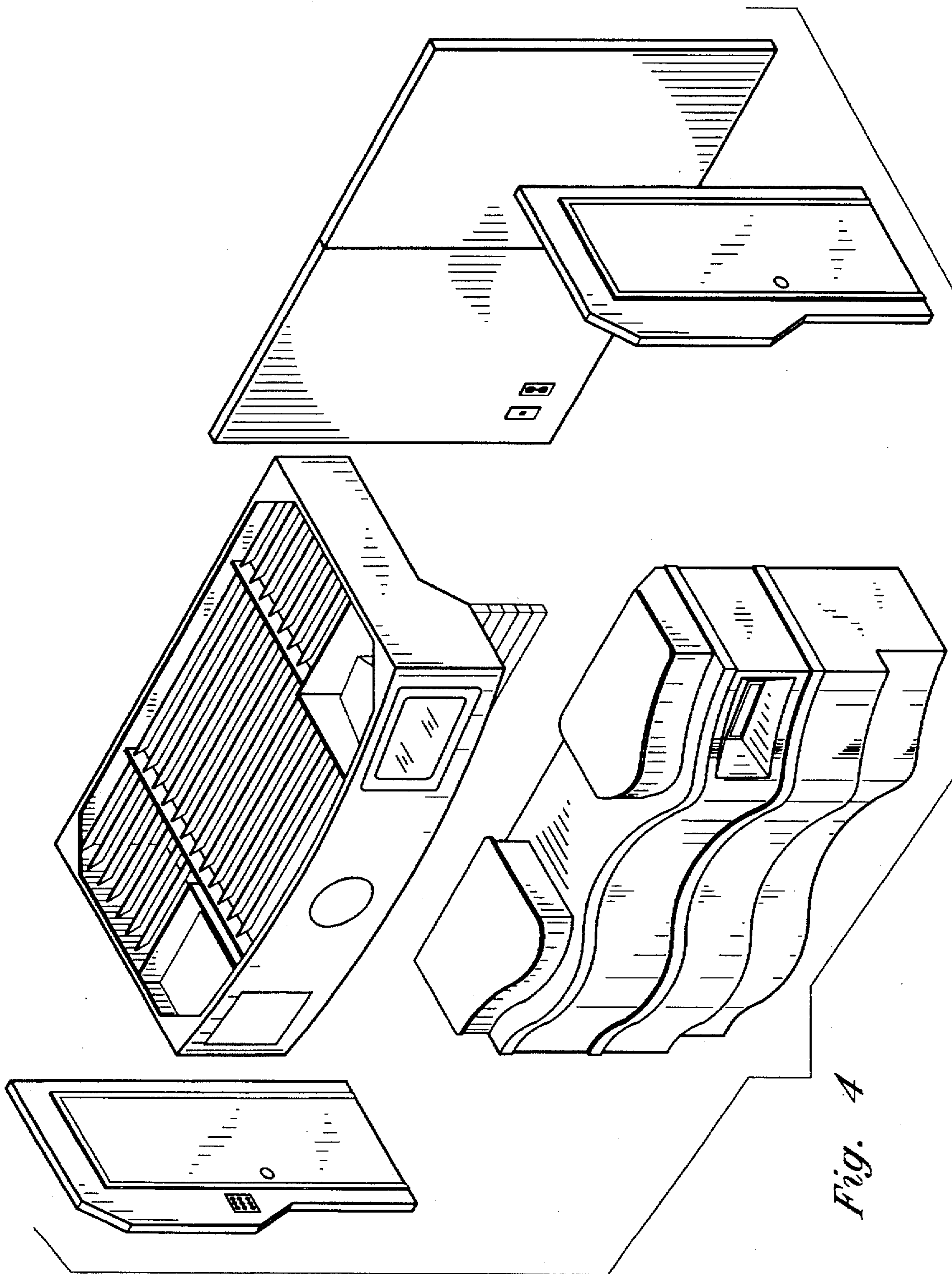
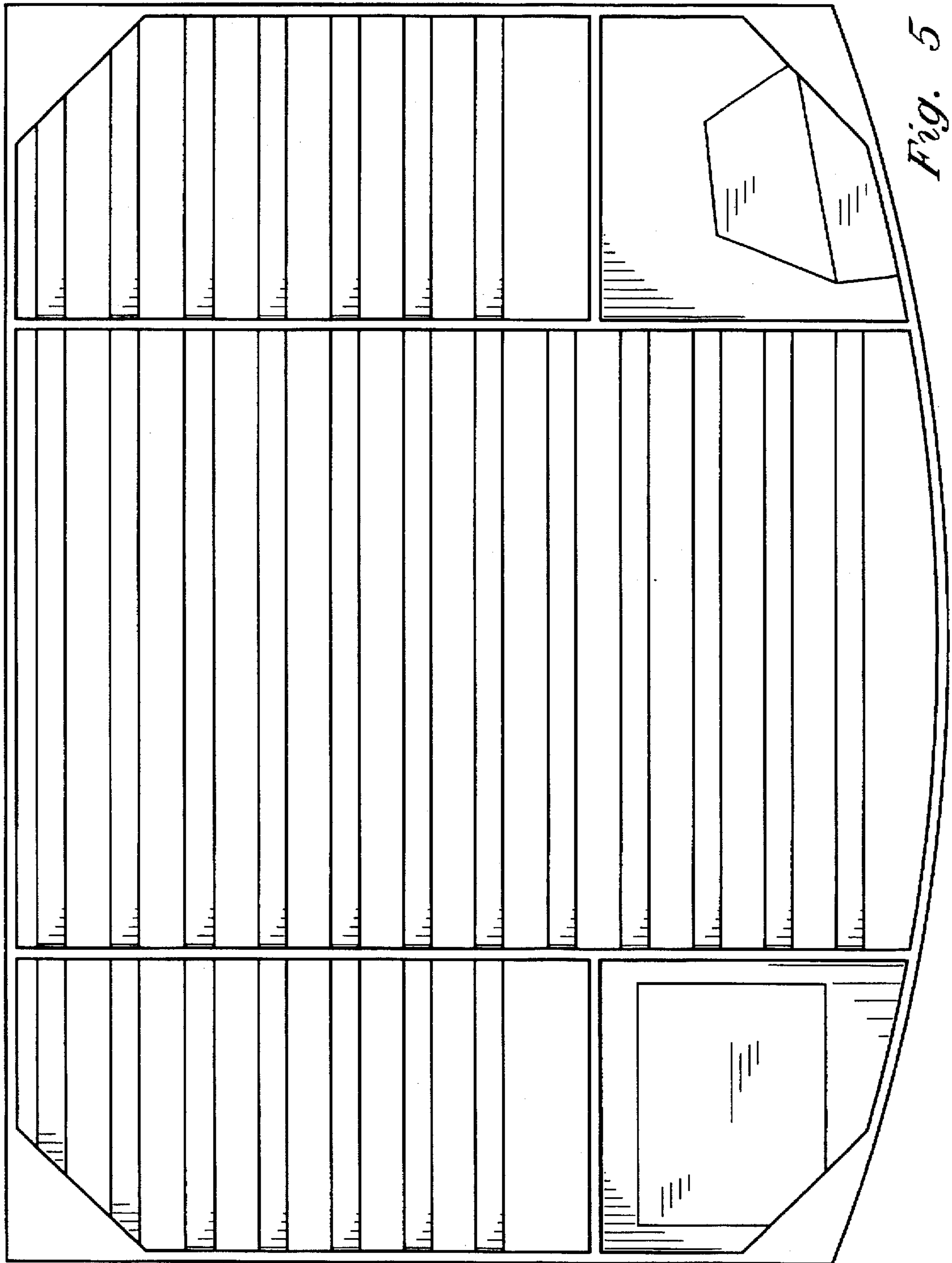


Fig. 4



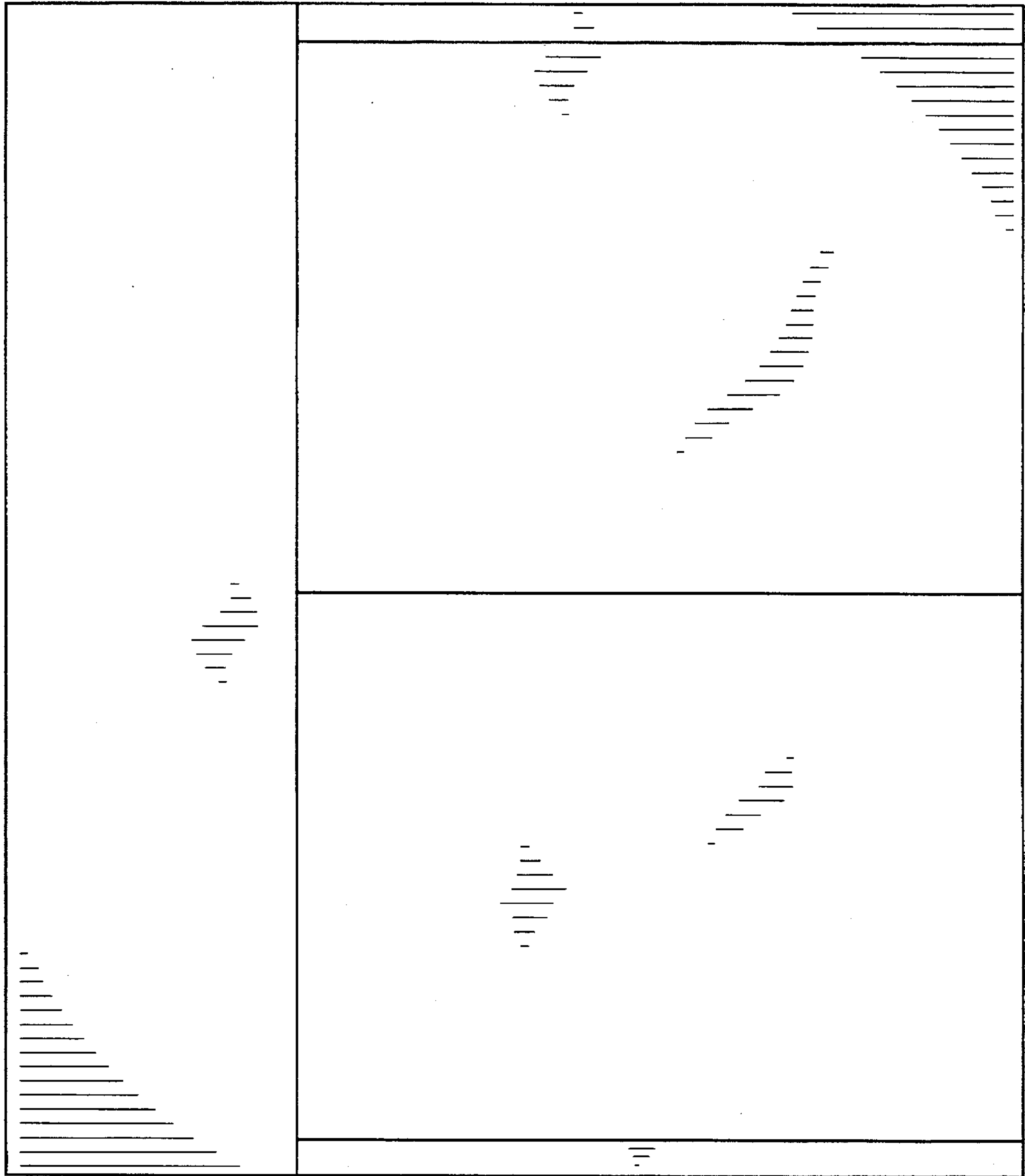


Fig. 6