



US00D408079S

United States Patent [19]

Ellis

[11] Patent Number: **Des. 408,079**

[45] Date of Patent: ****Apr. 13, 1999**

[54] **FLUID TRANSFER DEVICE**

5,681,322 10/1997 Hartigan, Jr. 604/264
5,735,828 4/1998 Jungnelius 604/264

[75] Inventor: **Robert G. Ellis, Wyckoff, N.J.**

Primary Examiner—Pamela Burgess
Attorney, Agent, or Firm—John L. Voellmicke

[73] Assignee: **Becton, Dickinson and Company,**
Franklin Lakes, N.J.

[57] **CLAIM**

[**] Term: **14 Years**

The ornamental design for a fluid transfer device, as shown and described.

[21] Appl. No.: **29/088,775**

DESCRIPTION

[22] Filed: **Jun. 1, 1998**

FIG. 1 is a perspective view of a fluid transfer device showing my new design;

[51] LOC (6) Cl. **24-04**

[52] U.S. Cl. **D24/108**

FIG. 2 is a front side elevational view of the fluid transfer device of FIG. 1;

[58] Field of Search D24/112, 108,
D24/129, 130; 604/264, 280, 256, 164,
283, 174

FIG. 3 is a back side elevational view of the fluid transfer device of FIG. 1;

[56] **References Cited**

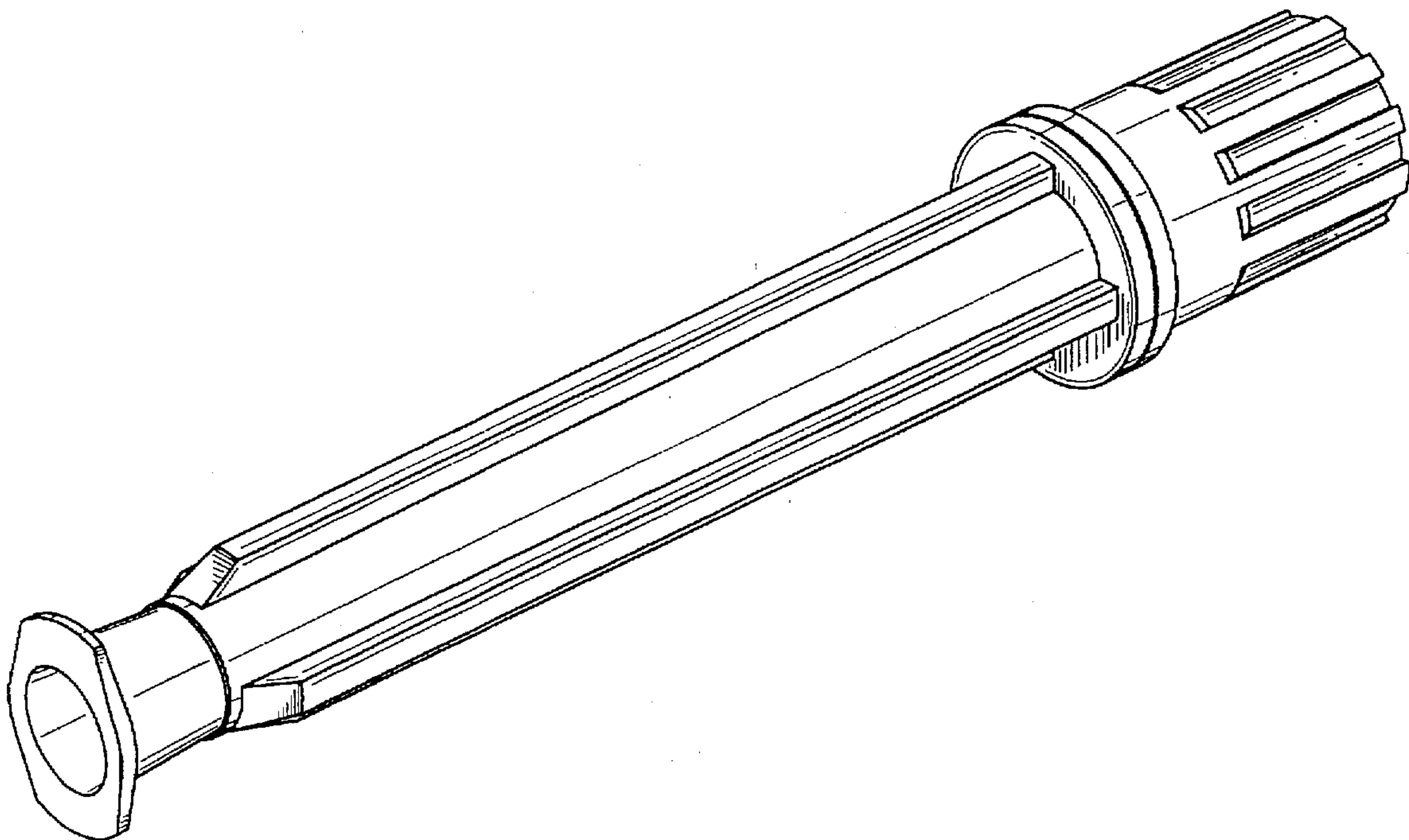
FIG. 4 is a left-side elevational view of the fluid transfer device of FIG. 3; and,

U.S. PATENT DOCUMENTS

FIG. 5 is a right-side elevational view of the fluid transfer device of FIG. 3.

D. 387,425 12/1997 Niedospial et al. D24/112
4,878,900 11/1989 Sundt 604/283

1 Claim, 3 Drawing Sheets



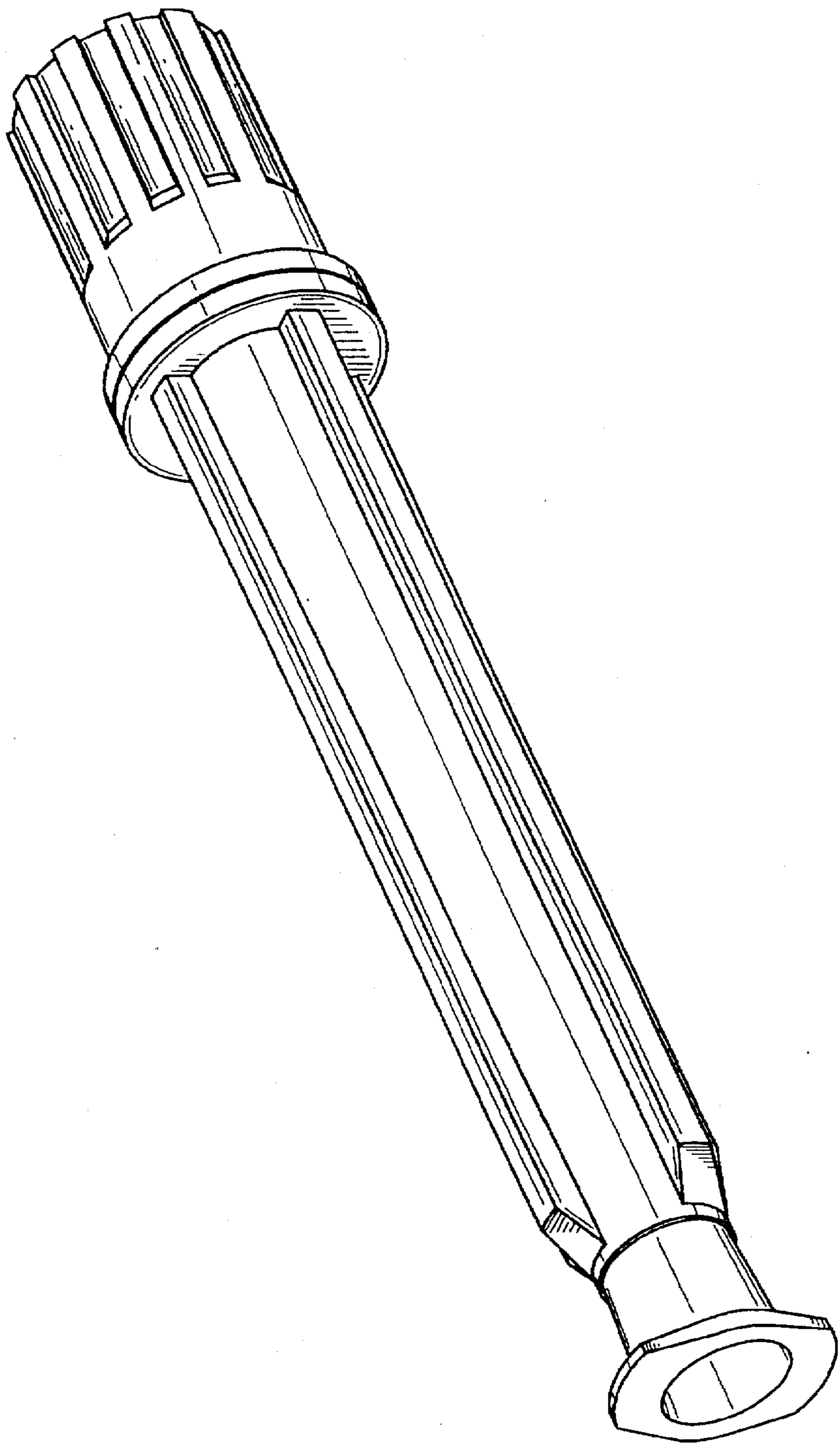


FIG-1

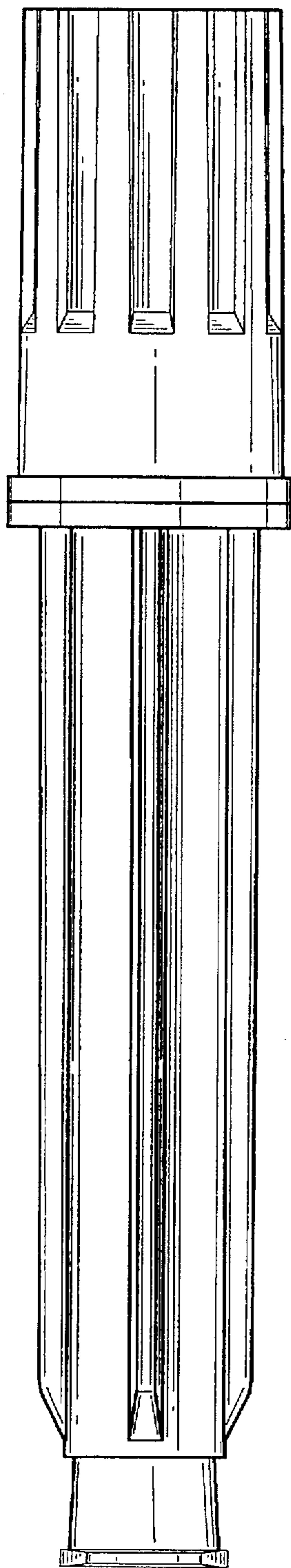


FIG-2

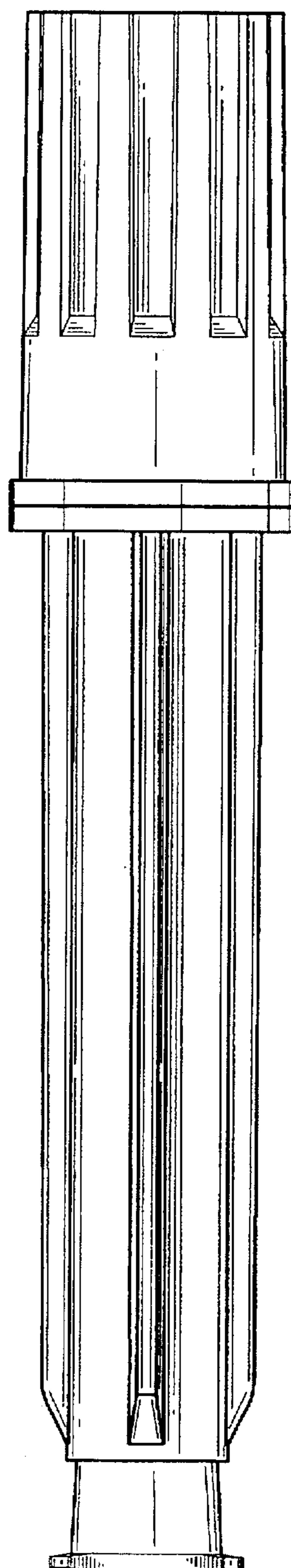


FIG-3

FIG-5

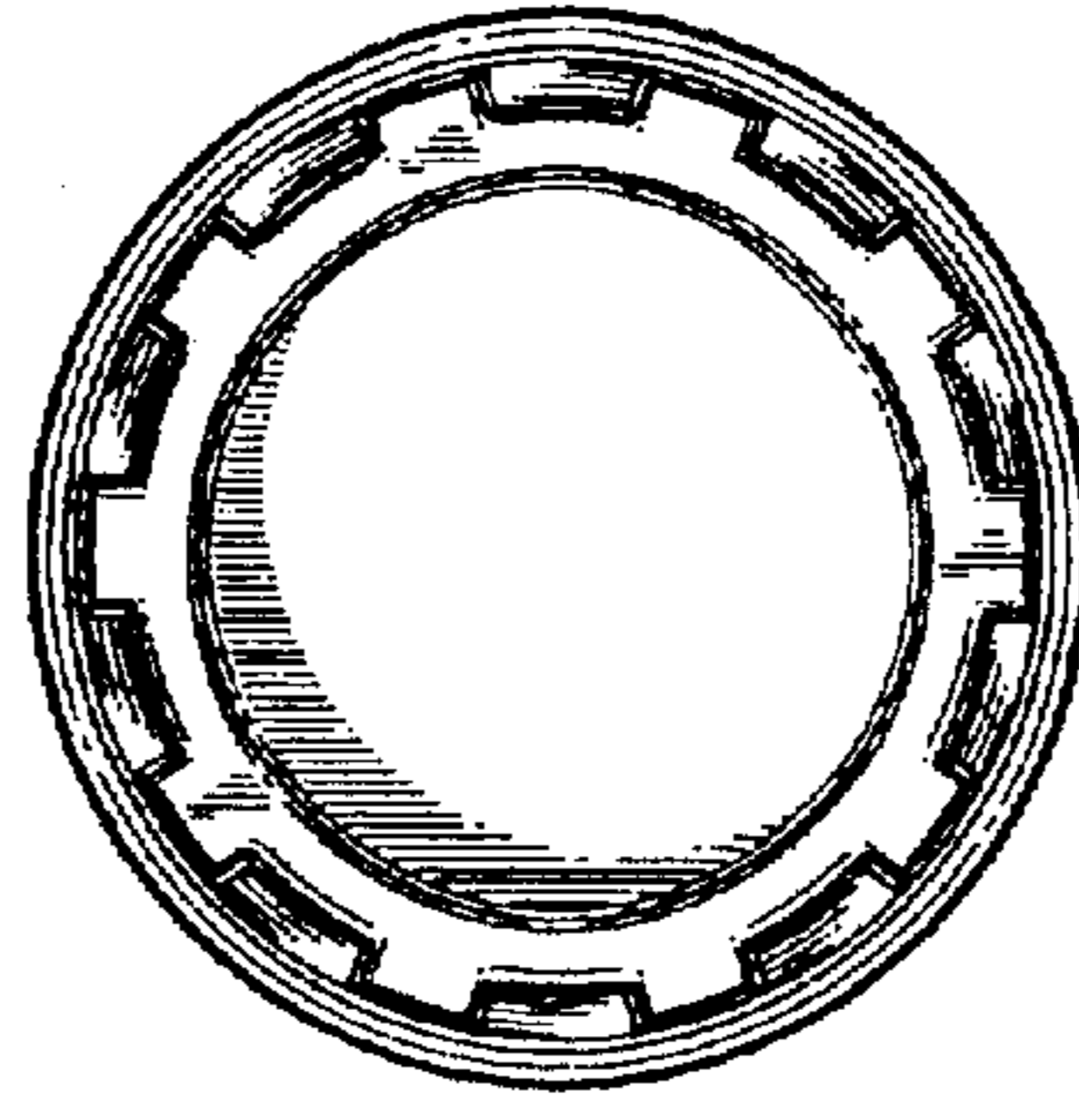


FIG-4

