



US00D408078S

United States Patent [19]
Zuege

[11] **Patent Number: Des. 408,078**
[45] **Date of Patent: **Apr. 13, 1999**

[54] **BLADE IRON FOR A CEILING FAN**
[75] **Inventor: Bradford C. Zuege, Memphis, Tenn.**
[73] **Assignee: Hunter Fan Company, Memphis, Tenn.**
[**] **Term: 14 Years**

[21] **Appl. No.: 29/091,809**
[22] **Filed: Aug. 6, 1998**
[51] **LOC (6) Cl. 23-04**
[52] **U.S. Cl. D23/411; D23/377; D23/385**
[58] **Field of Search D23/377, 379, D23/385, 411; 416/5, 210 R; 392/364**

[56] **References Cited**

U.S. PATENT DOCUMENTS

D. 376,004 11/1996 Tsuji D23/377
D. 388,165 12/1997 Johnson D23/411

Primary Examiner—Lisa Lichtenstein

Attorney, Agent, or Firm—Baker, Donelson Bearman & Caldwell

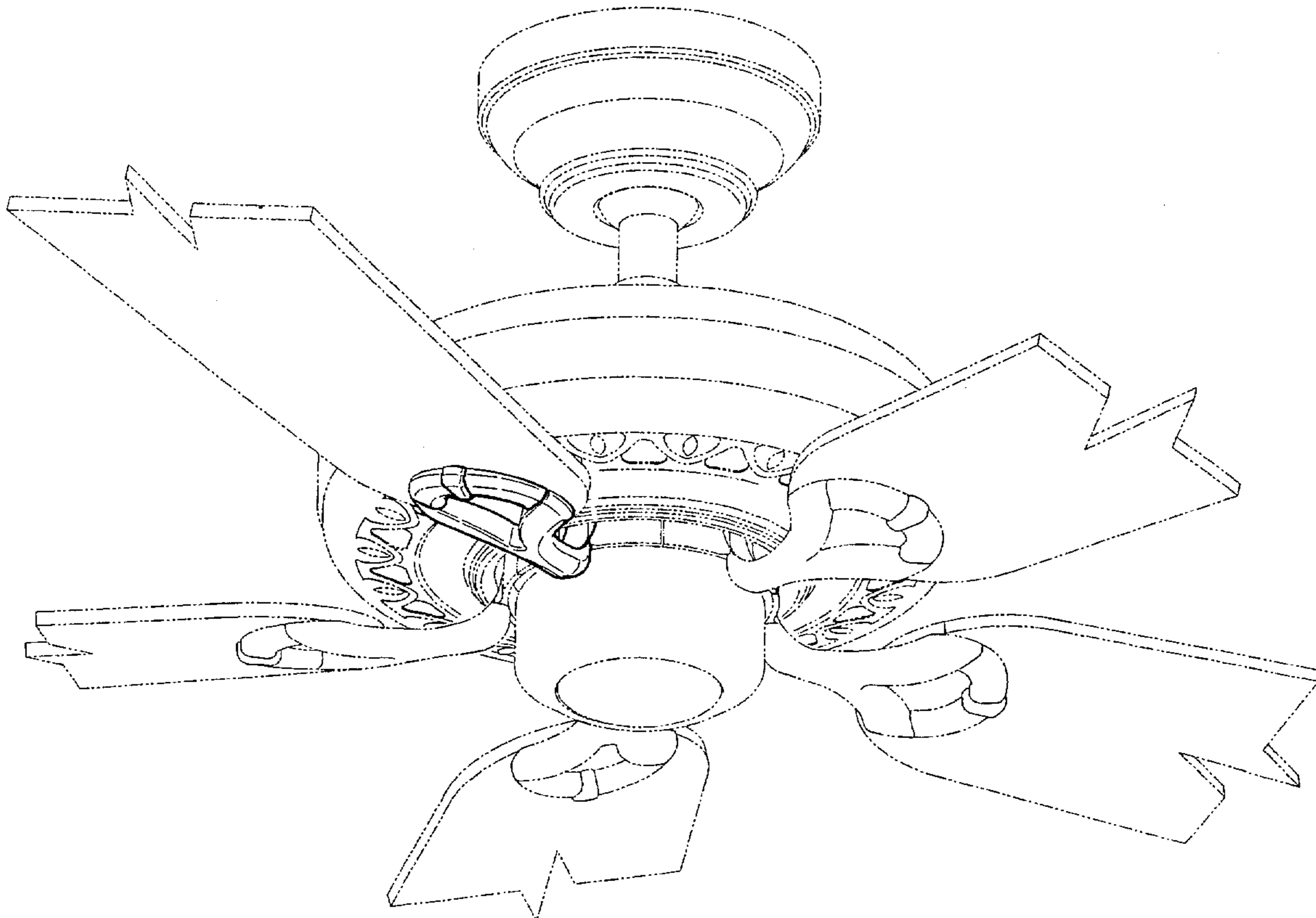
[57] **CLAIM**

The ornamental design for a blade iron for a ceiling fan, as shown and described.

DESCRIPTION

FIG. 1 is a perspective view of a blade iron for a ceiling fan showing my new design;
FIG. 2 is an enlarged perspective view thereof;
FIG. 3 is an enlarged front view thereof;
FIG. 4 is an enlarged right-side view thereof;
FIG. 5 is an enlarged rear view thereof;
FIG. 6 is an enlarged left-side view thereof;
FIG. 7 is an enlarged top view thereof; and,
FIG. 8 is an enlarged bottom view thereof.
The broken-line showing of environmental structure in FIGS. 1–8 is for illustrative purposes only and forms no part of the claimed design.

1 Claim, 8 Drawing Sheets



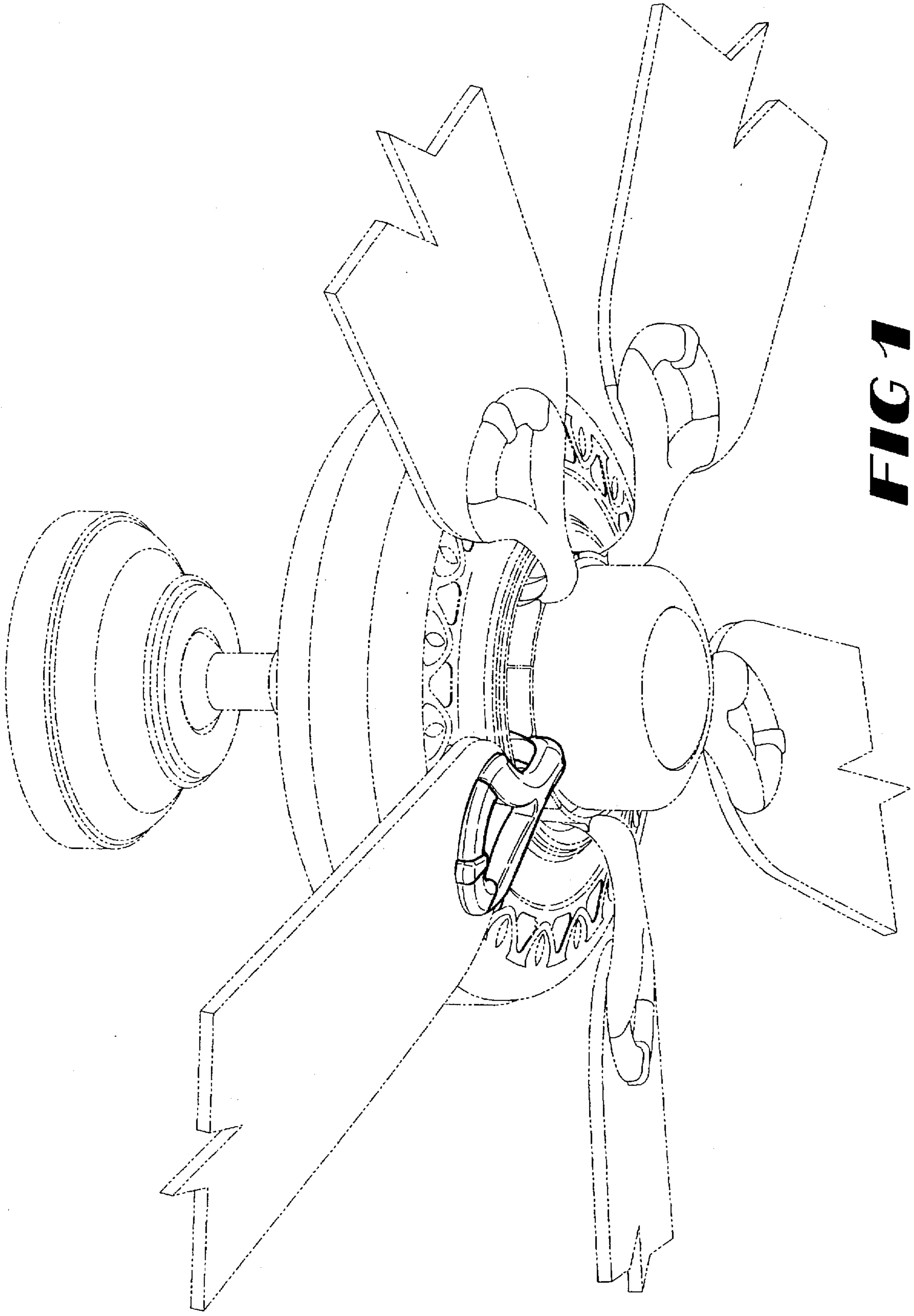


FIG 1

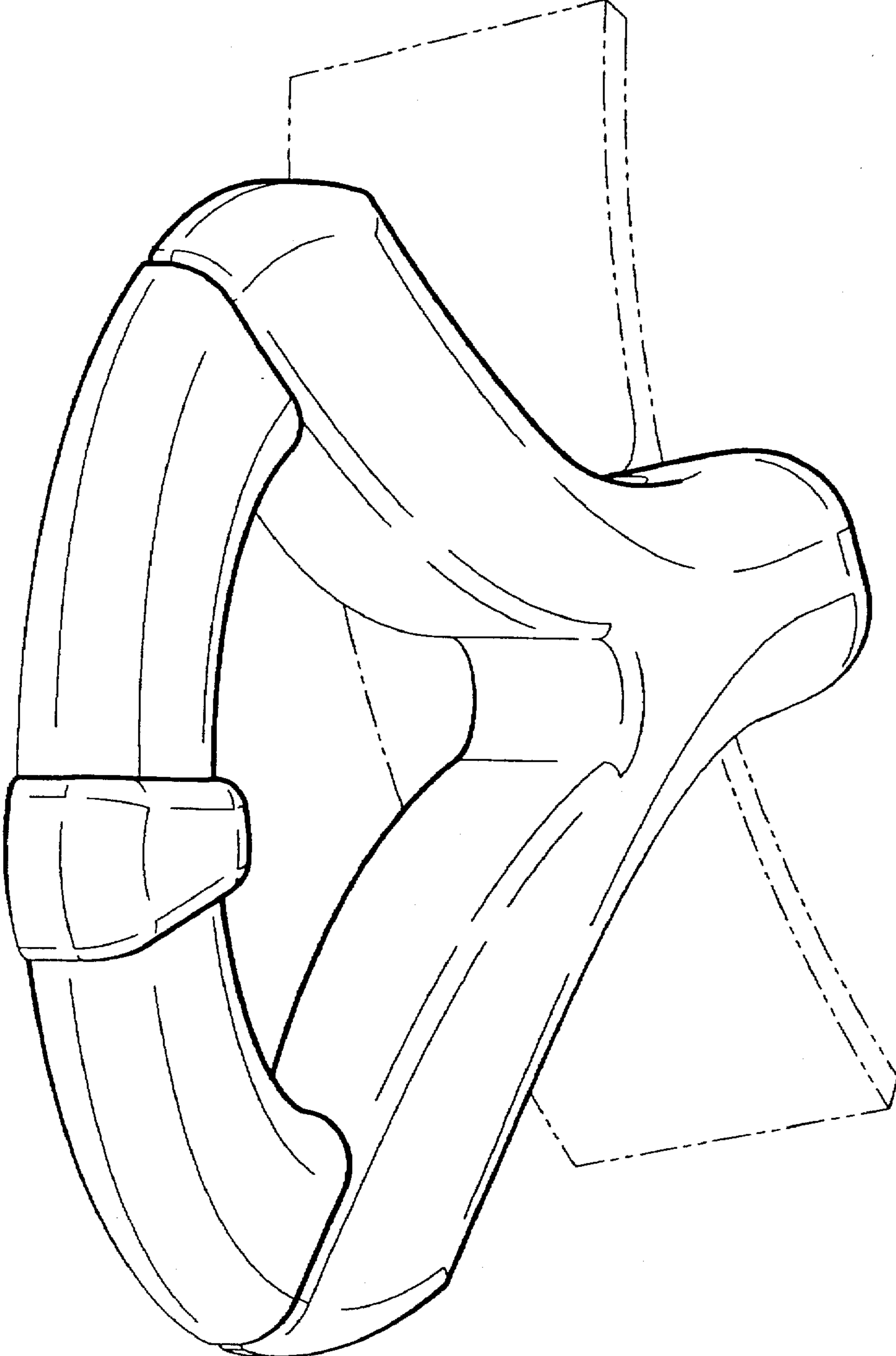


FIG 2

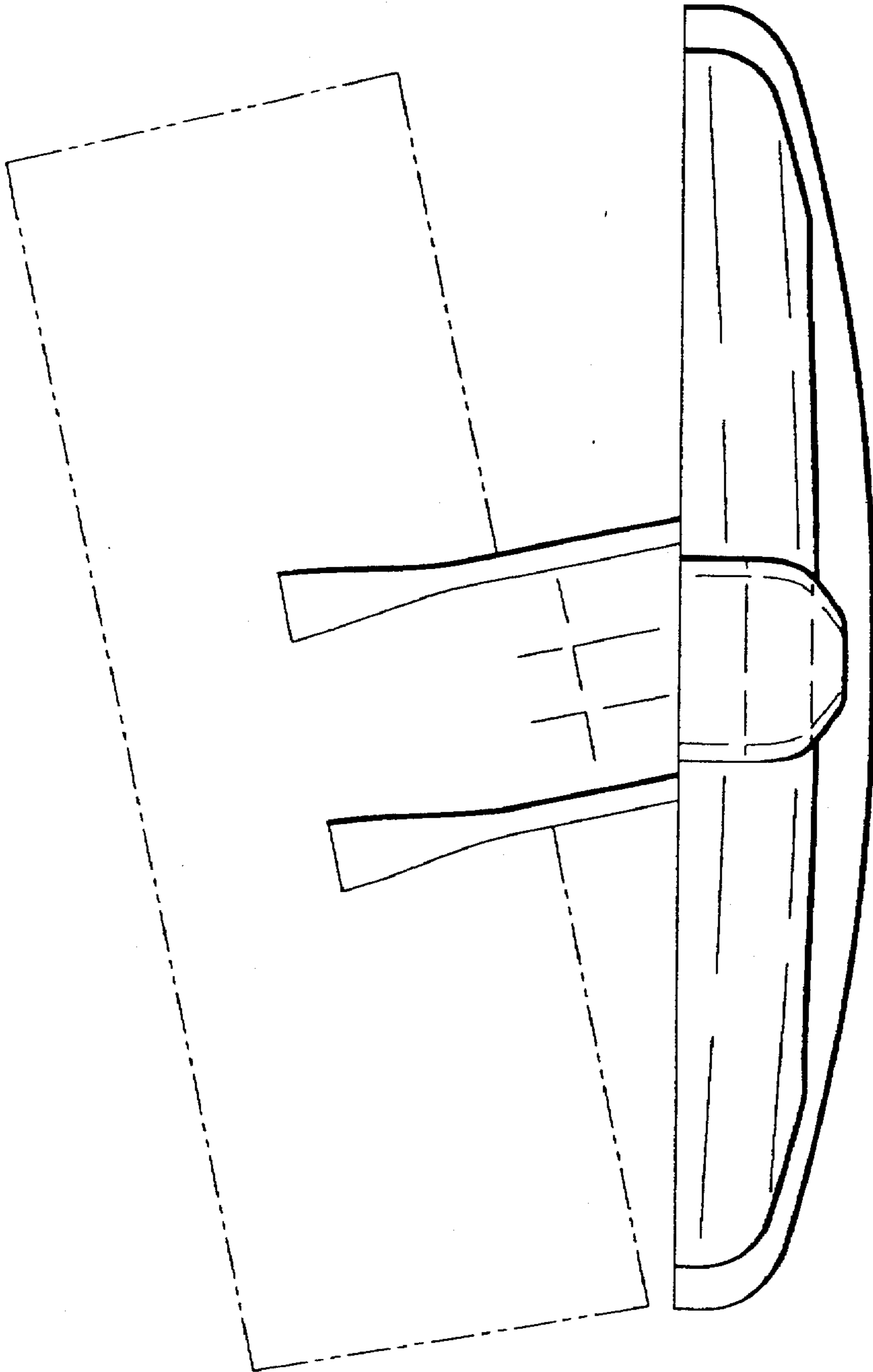


FIG 3



FIG 4

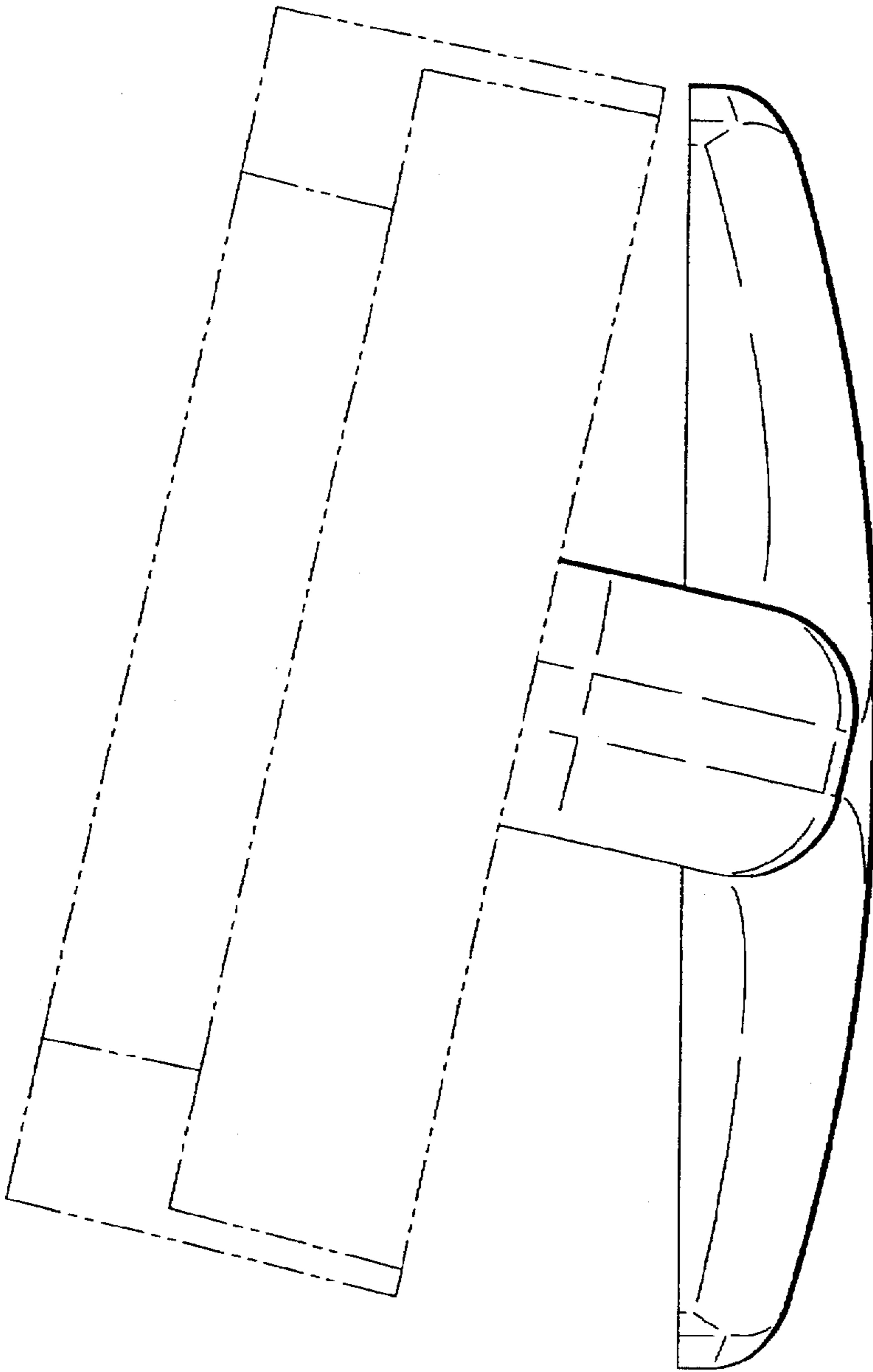


FIG 5



FIG 6

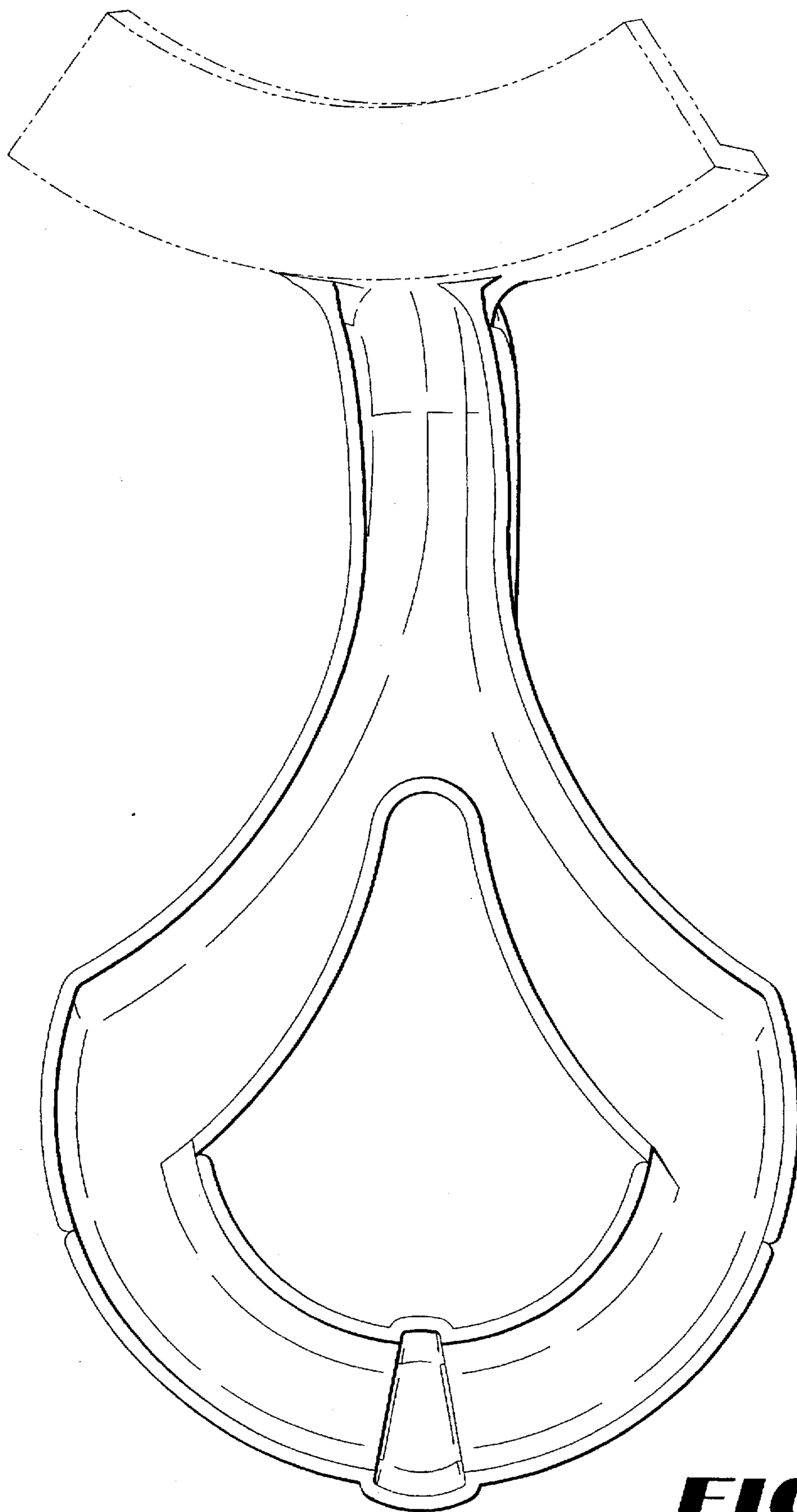


FIG 7

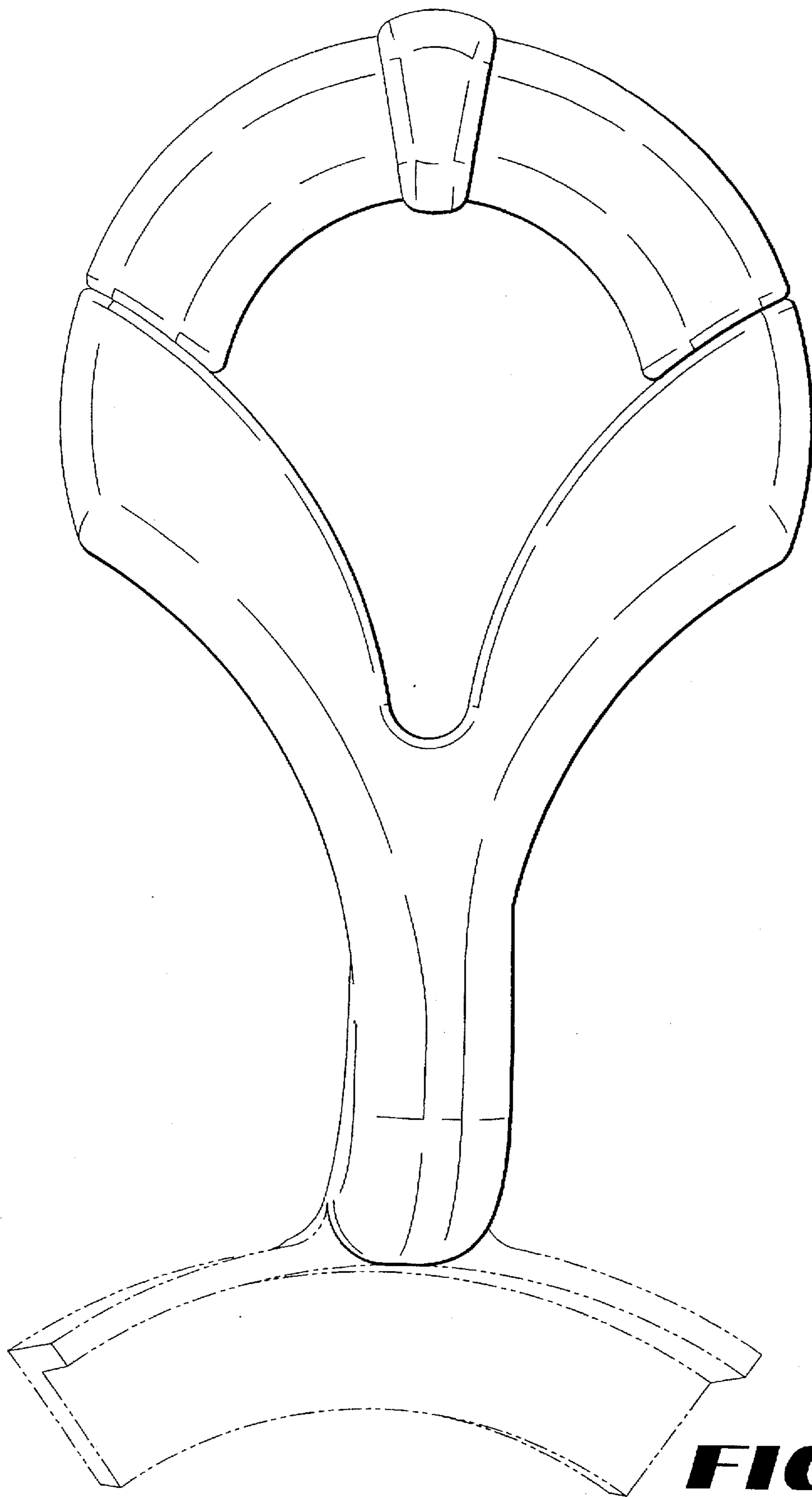


FIG 8