



US00D408074S

United States Patent [19]
Tai

[11] **Patent Number: Des. 408,074**

[45] **Date of Patent: **Apr. 13, 1999**

[54] **CEILING FAN**

[76] **Inventor: Jen-Lung David Tai**, 19507 N. 65th Ave., Glendale, Ariz. 85308

[**] **Term: 14 Years**

[21] **Appl. No.: 29/090,473**

[22] **Filed: Jul. 9, 1998**

[51] **LOC (6) Cl. 23-04**

[52] **U.S. Cl. D23/377; D23/379; D23/385; D26/59**

[58] **Field of Search D23/377, 379, D23/385, 411, 413; 416/5; 392/364; 362/96; D26/81-86, 88, 51, 59, 72**

[56] **References Cited**

U.S. PATENT DOCUMENTS

D. 331,101 11/1992 Rezek D23/377

OTHER PUBLICATIONS

Sonica Fan Innovations Inc. Cat., p. 24, Ceiling Fan Blade (A), bottom left side of page, 1995.

Primary Examiner—Lisa Lichtenstein
Attorney, Agent, or Firm—Parsons & Goltry; Michael W. Goltry; Robert A. Parsons

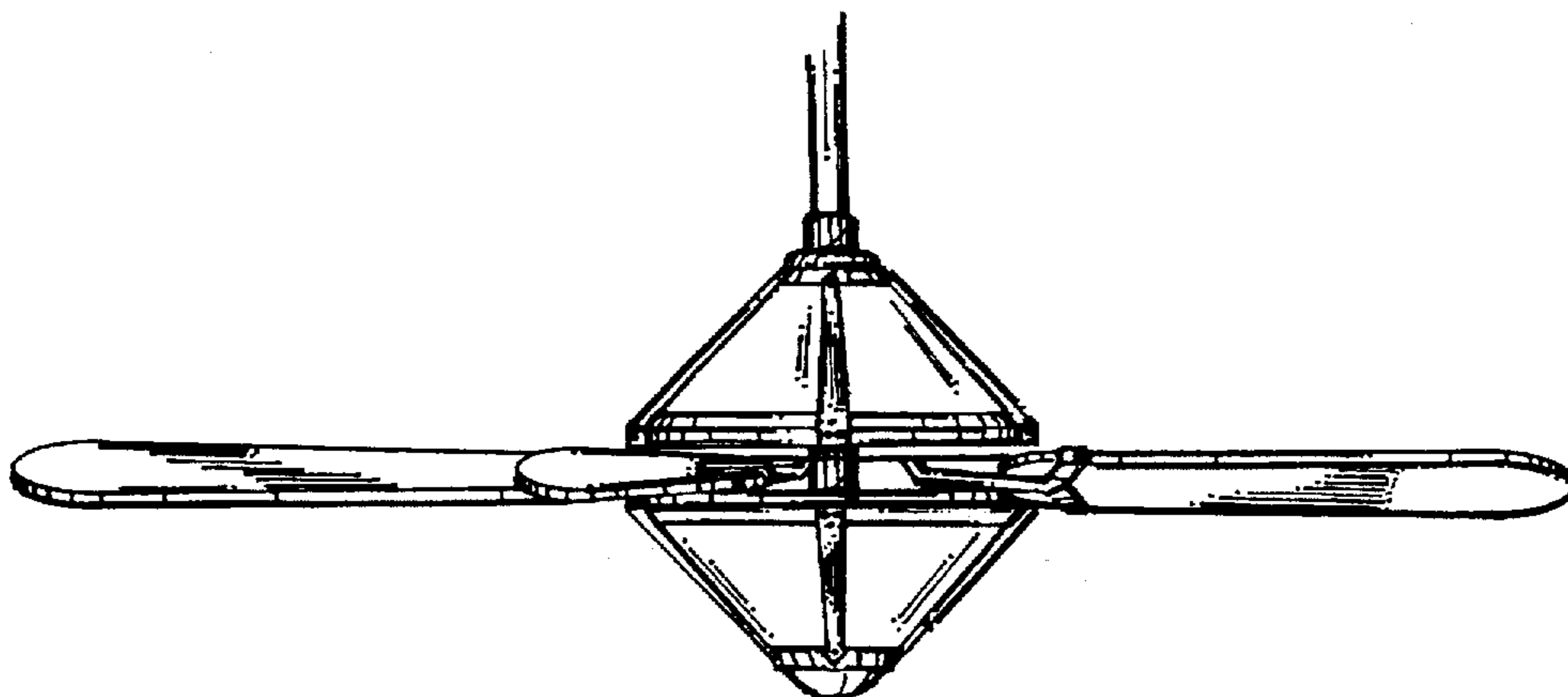
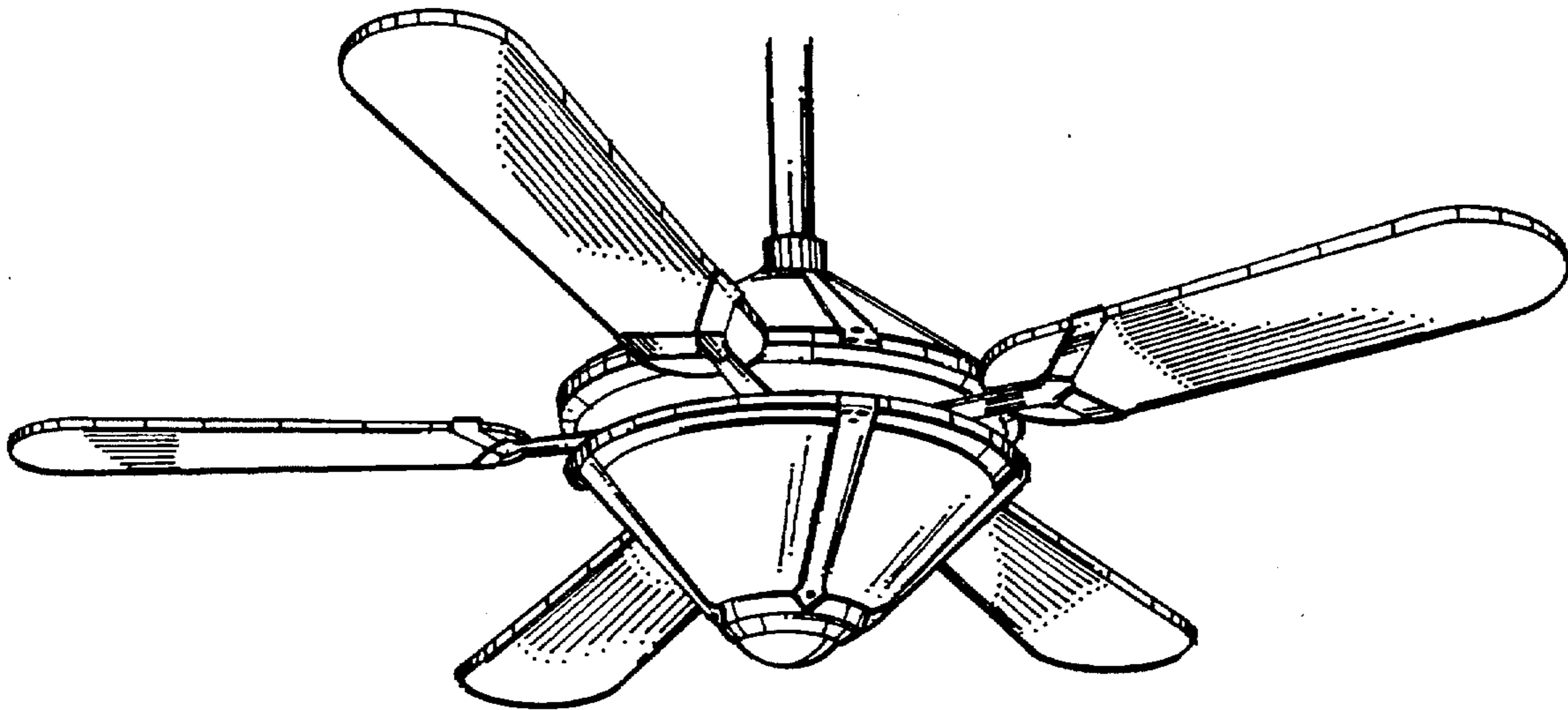
[57] **CLAIM**

The ornamental design for a ceiling fan, as shown and described.

DESCRIPTION

FIG. 1 is a perspective view of a ceiling fan showing my new design;
FIG. 2 is a bottom plan view thereof;
FIG. 3 is a top plan view thereof;
FIG. 4 is a front elevational view thereof;
FIG. 5 is a right side elevational view thereof;
FIG. 6 is a rear elevational view thereof; and,
FIG 7 is a left side elevational view thereof.

1 Claim, 5 Drawing Sheets



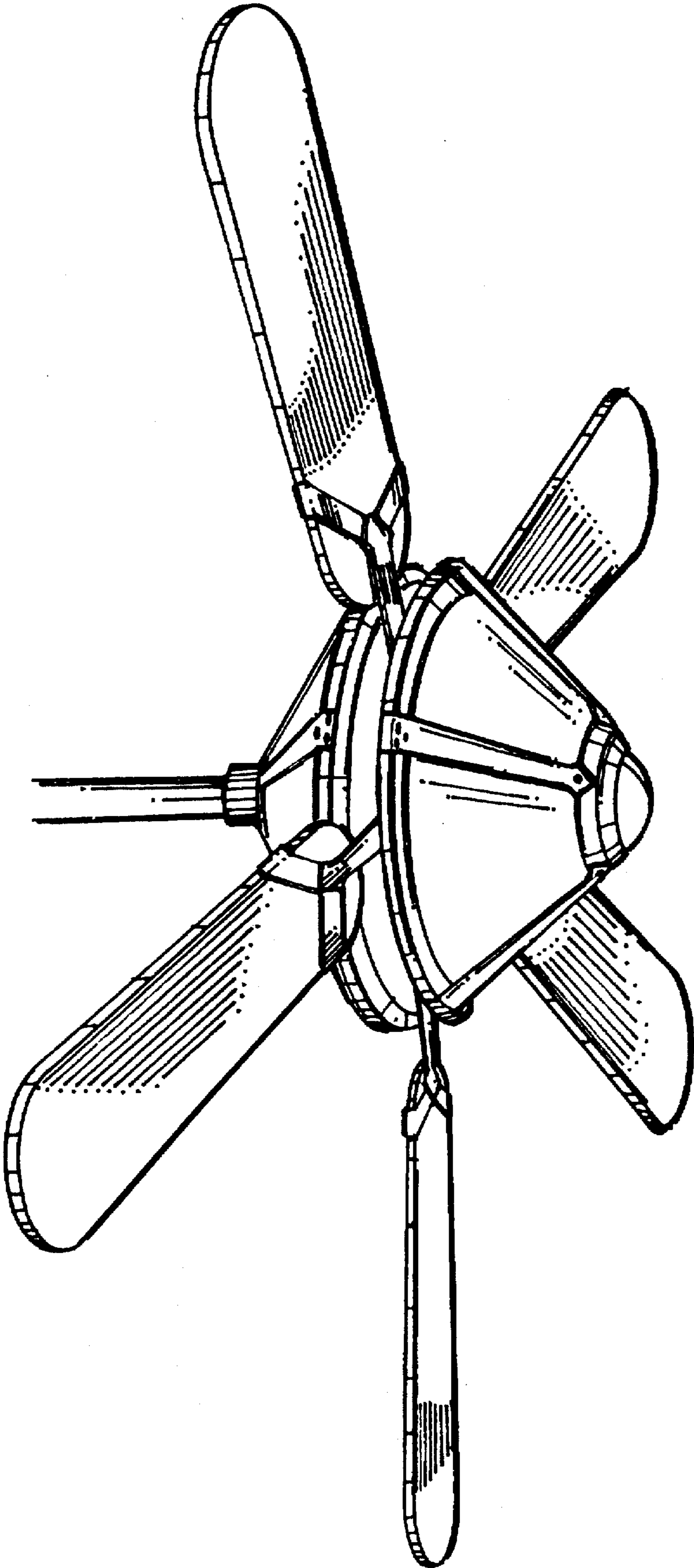


FIG. 1

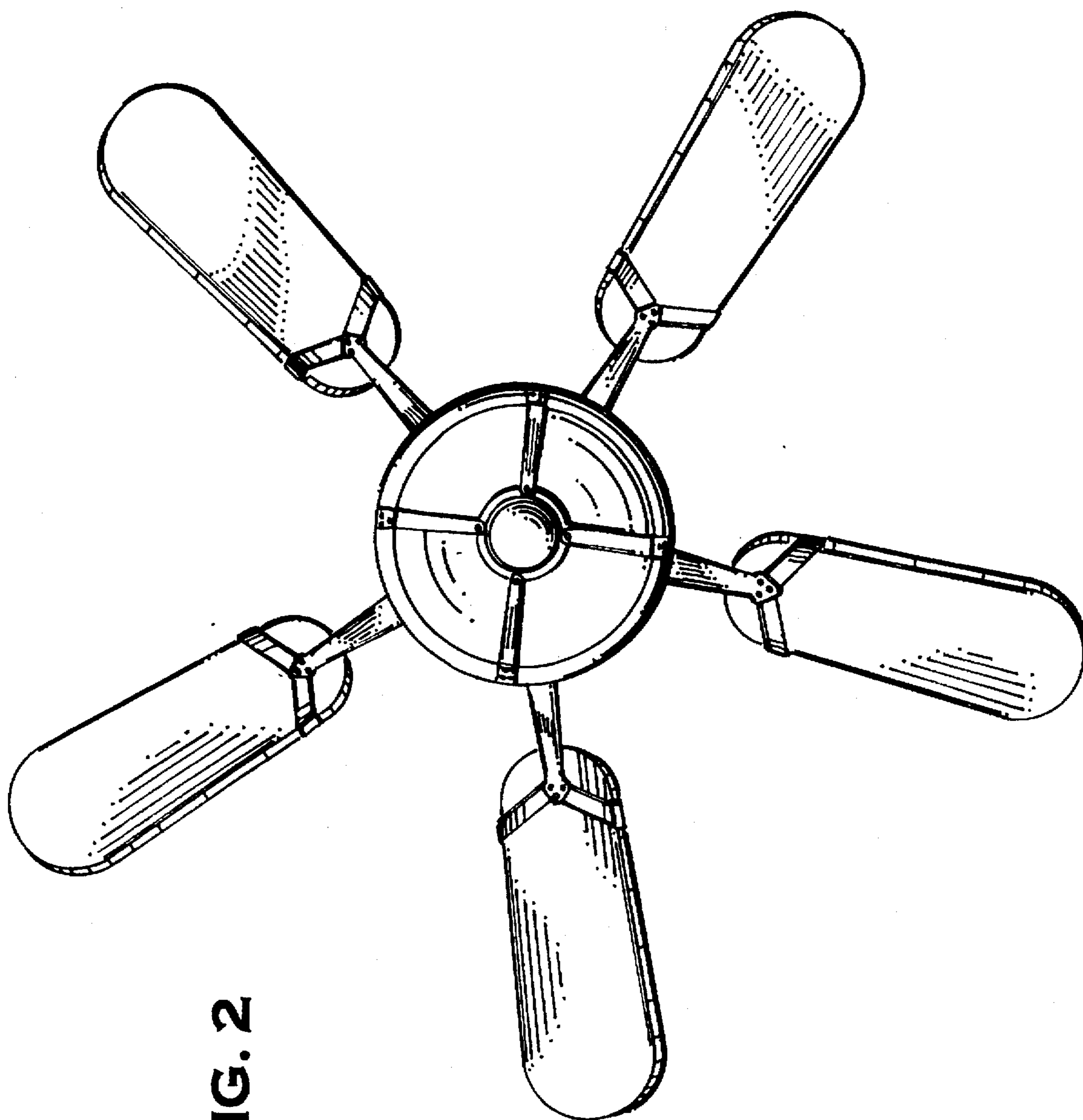
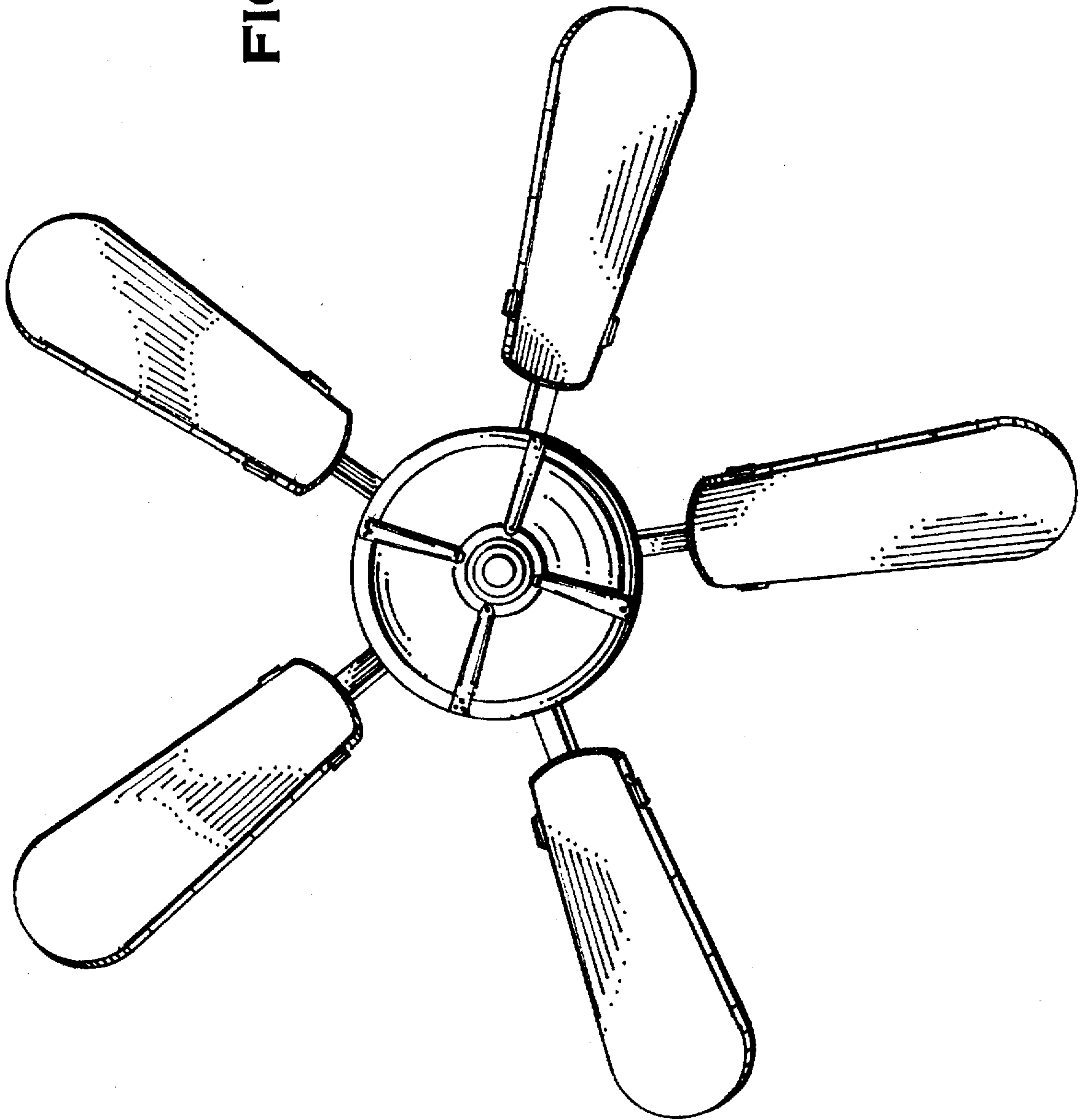


FIG. 2

FIG. 3



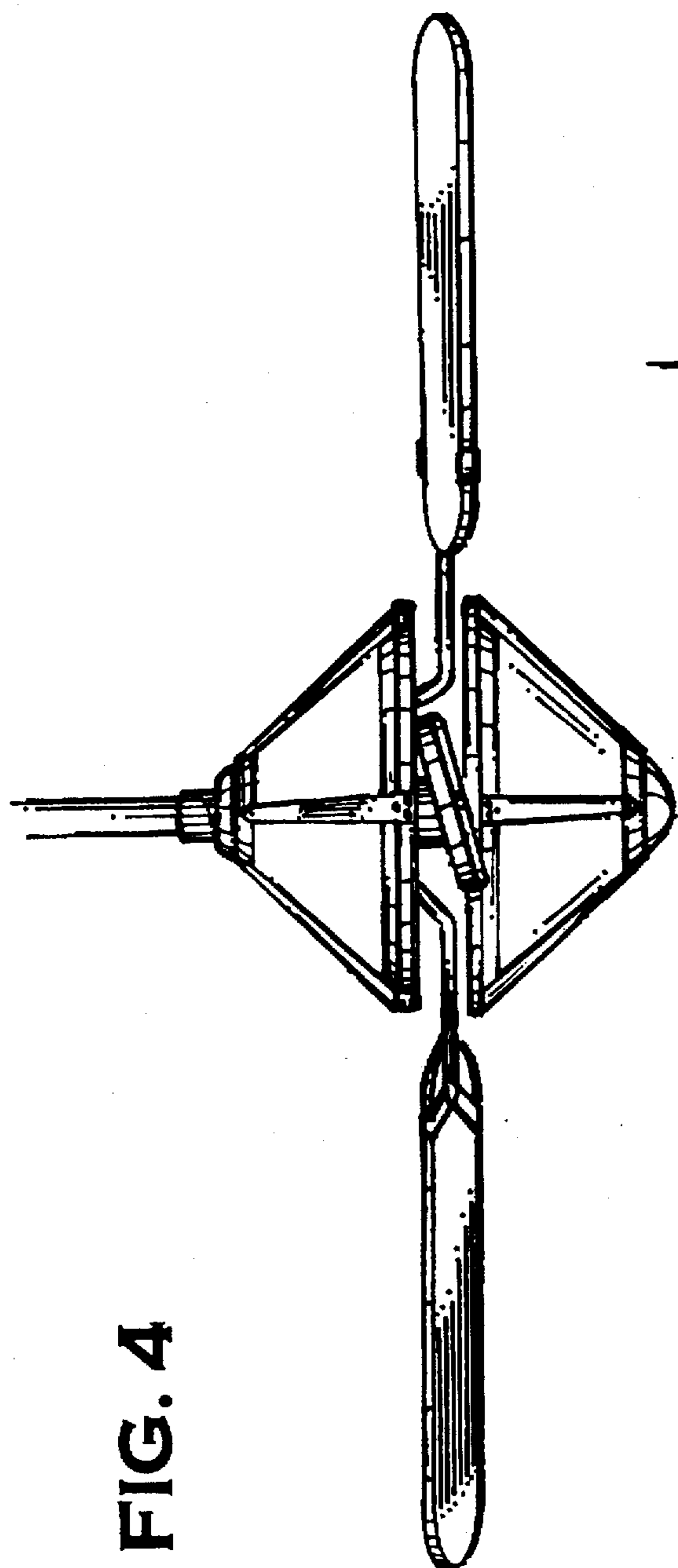


FIG. 4

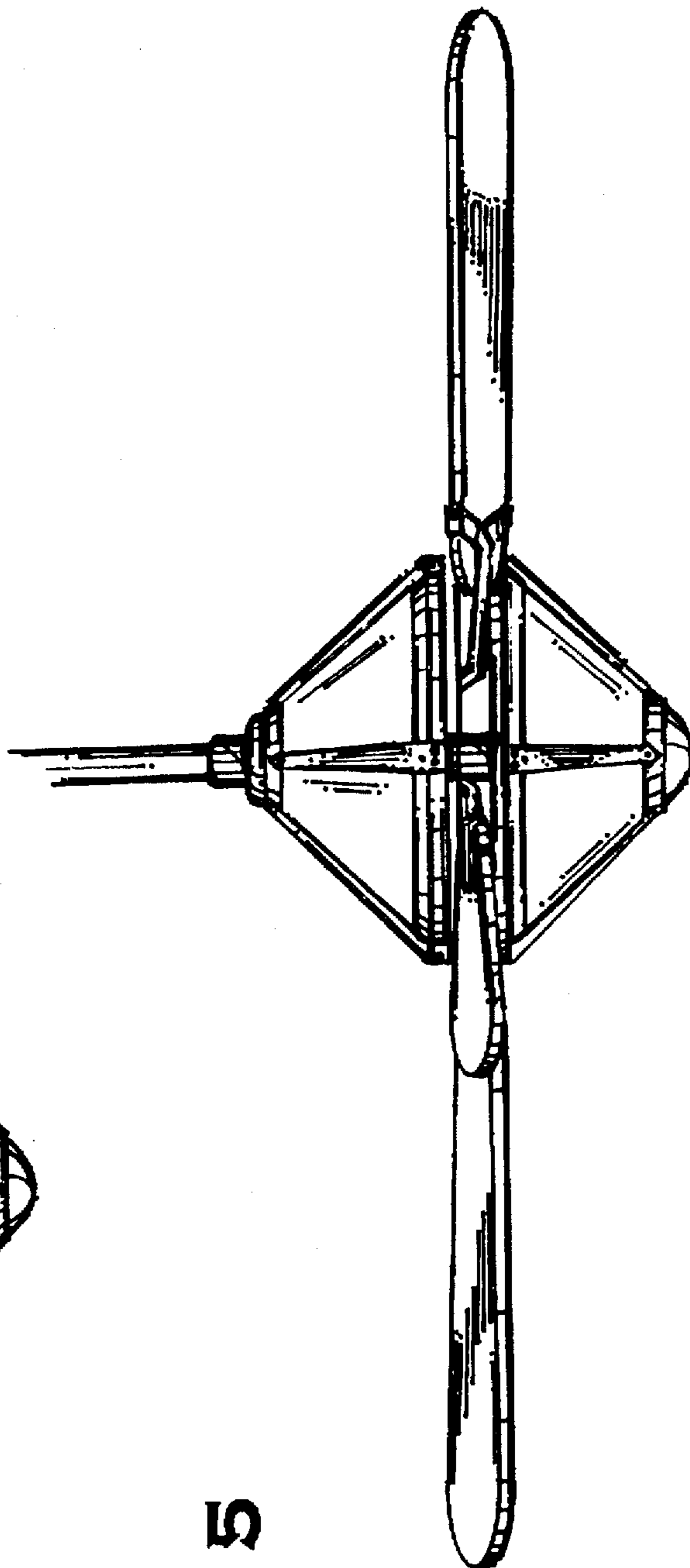


FIG. 5

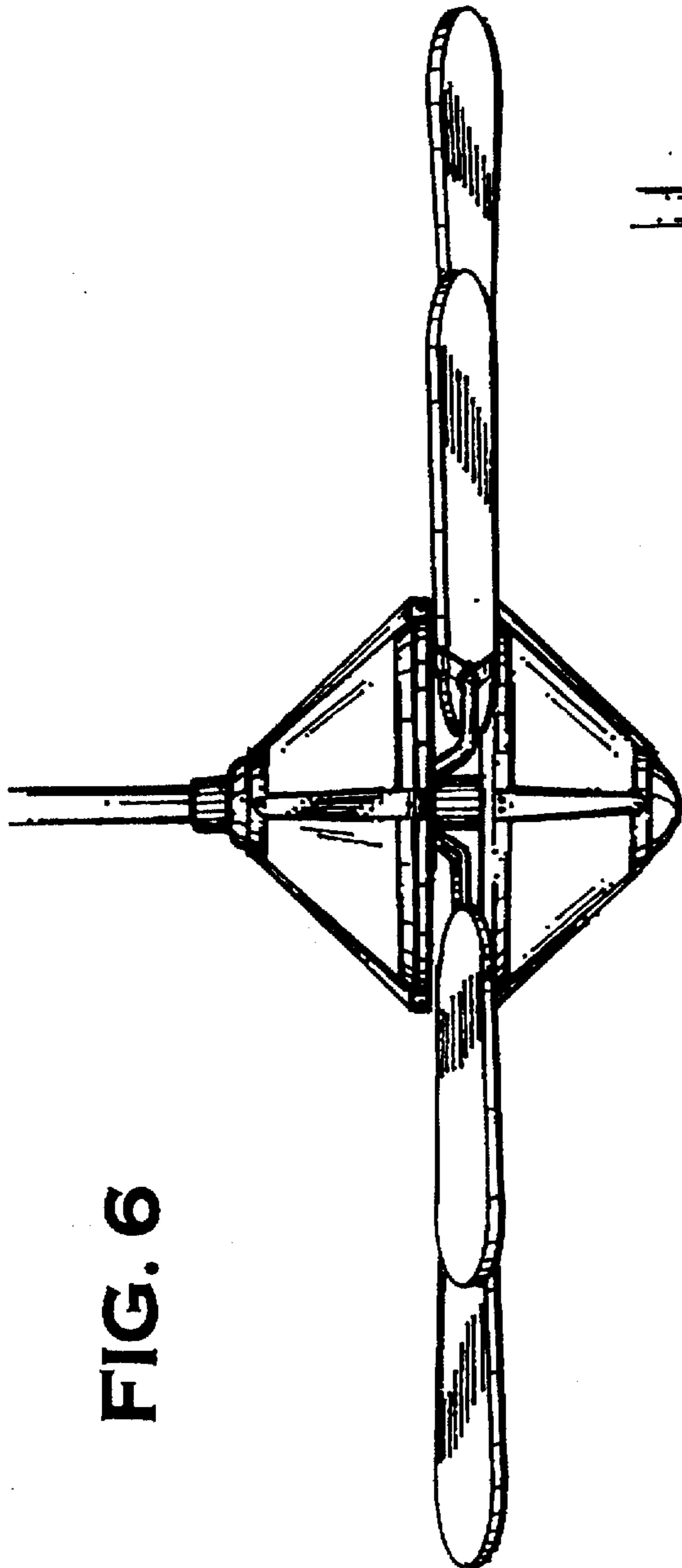


FIG. 6

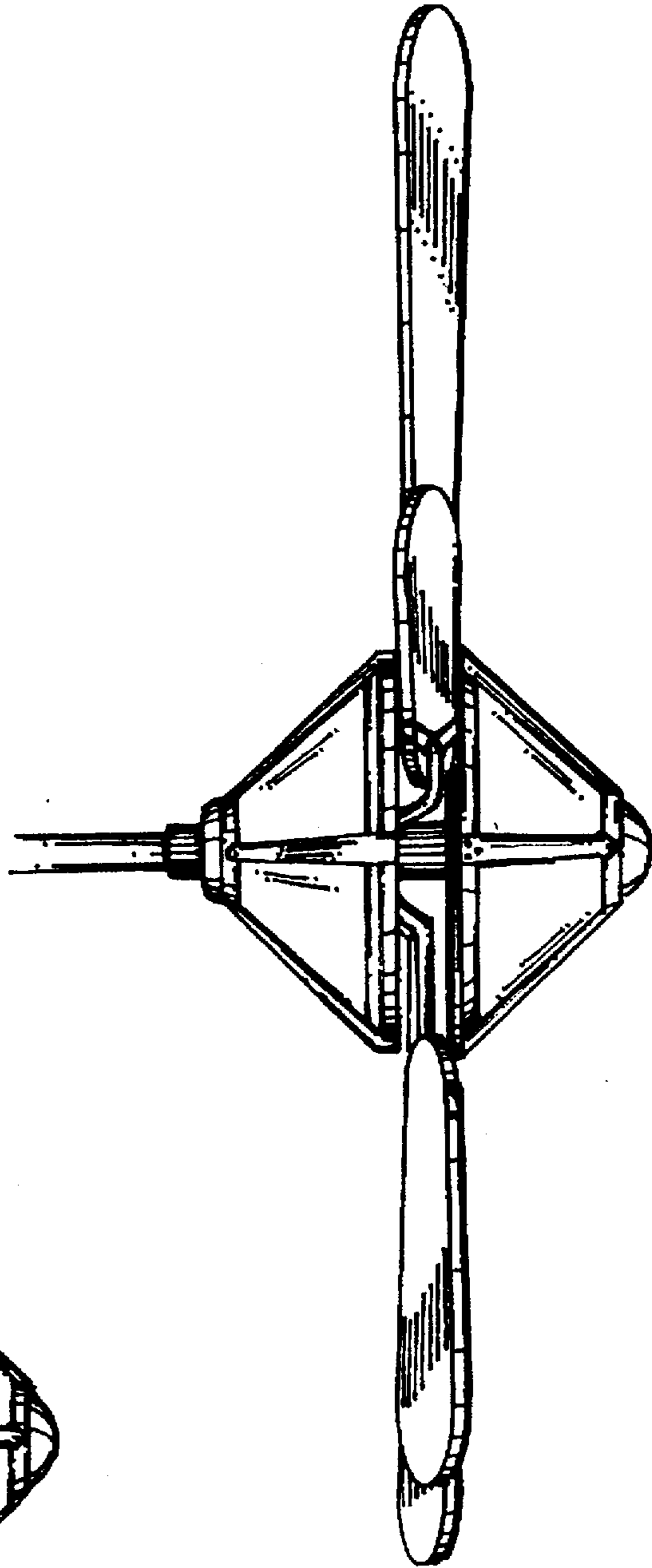


FIG. 7