



US00D408067S

United States Patent [19]
McGarry

[11] **Patent Number: Des. 408,067**

[45] **Date of Patent: **Apr. 13, 1999**

[54] **SNOWBOARD WITH CONTOURED SURFACE**

5,649,722 7/1997 Champlin 280/609

[76] **Inventor: Mark W. McGarry**, 3501 E. Camelback Rd. Suite 116, Phoenix, Ariz. 85018

Primary Examiner—Kay H. Chin

[**] **Term: 14 Years**

[57] **CLAIM**

The ornamental design for a snowboard with contoured surface, as shown and described.

[21] **Appl. No.: 29/085,728**

DESCRIPTION

[22] **Filed: Mar. 30, 1998**

[51] **LOC (6) Cl. 21-02**

[52] **U.S. Cl. D21/760; D21/769**

[58] **Field of Search D21/780, 766-775, D21/801, 803; 280/601, 609; 441/65, 74**

FIG. 1 is a perspective view of a snowboard with contoured surface showing my new design;
FIG. 2 is a top view thereof;
FIG. 3 is a right side view thereof;
FIG. 4 is a front side view thereof;
FIG. 5 is a bottom view thereof;
FIG. 6 is a rear side view thereof;
FIG. 7 is a left side view thereof;
FIG. 8 is a cross sectional view thereof taken along the center line;
FIG. 9 is an enlarged cross sectional view of the center portion of FIG. 10; and,
FIG. 10 is an enlarged fragmentary view of the center portion of the snowboard.

[56] **References Cited**

U.S. PATENT DOCUMENTS

D. 323,007	1/1992	Chantry	D21/760
D. 379,647	6/1997	Levinthal	D21/760
D. 386,236	11/1997	Gervasoni	D21/760
3,378,274	4/1968	Poppen	280/609
3,378,275	4/1968	Rockwood et al.	280/609

1 Claim, 3 Drawing Sheets

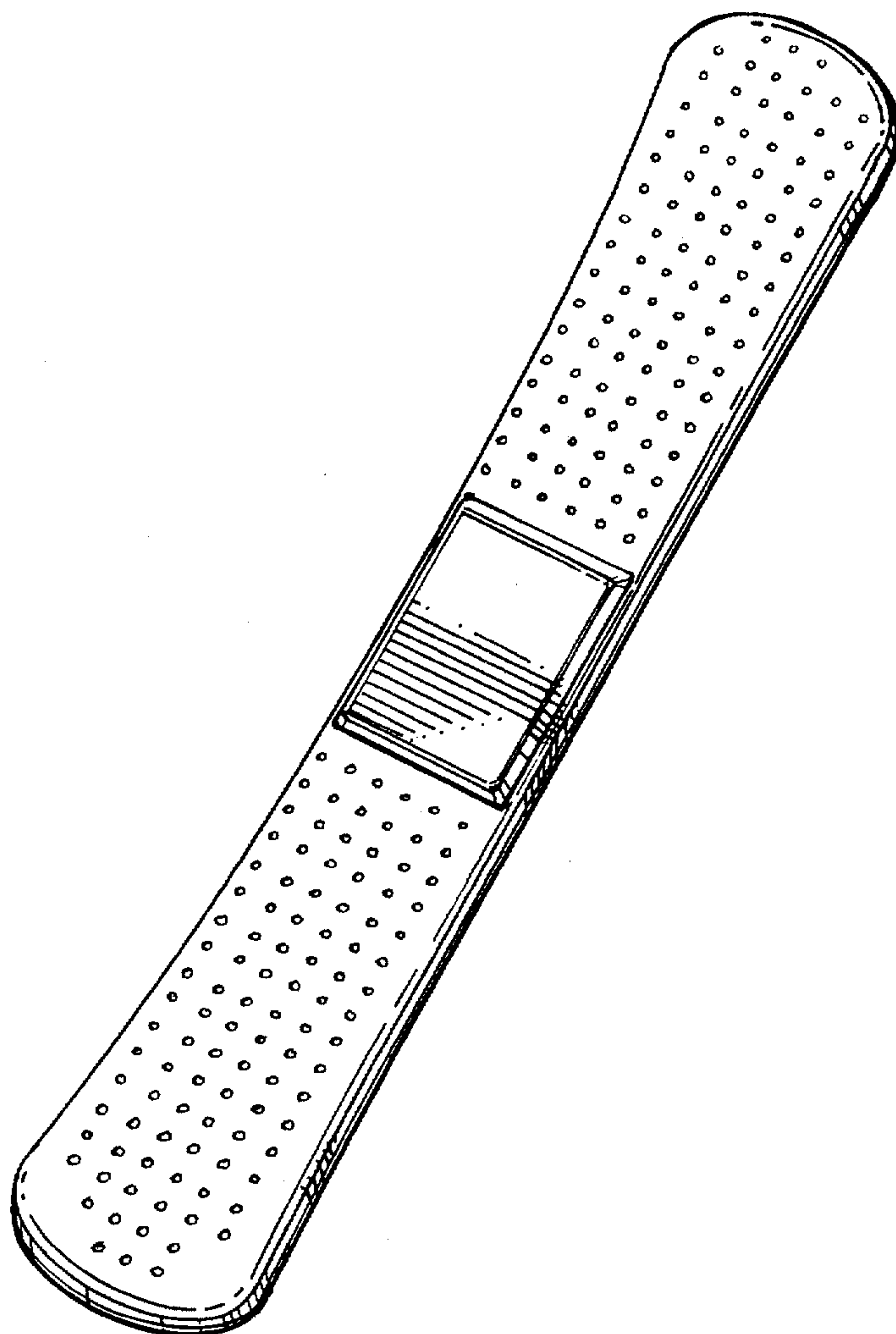


FIG. 1

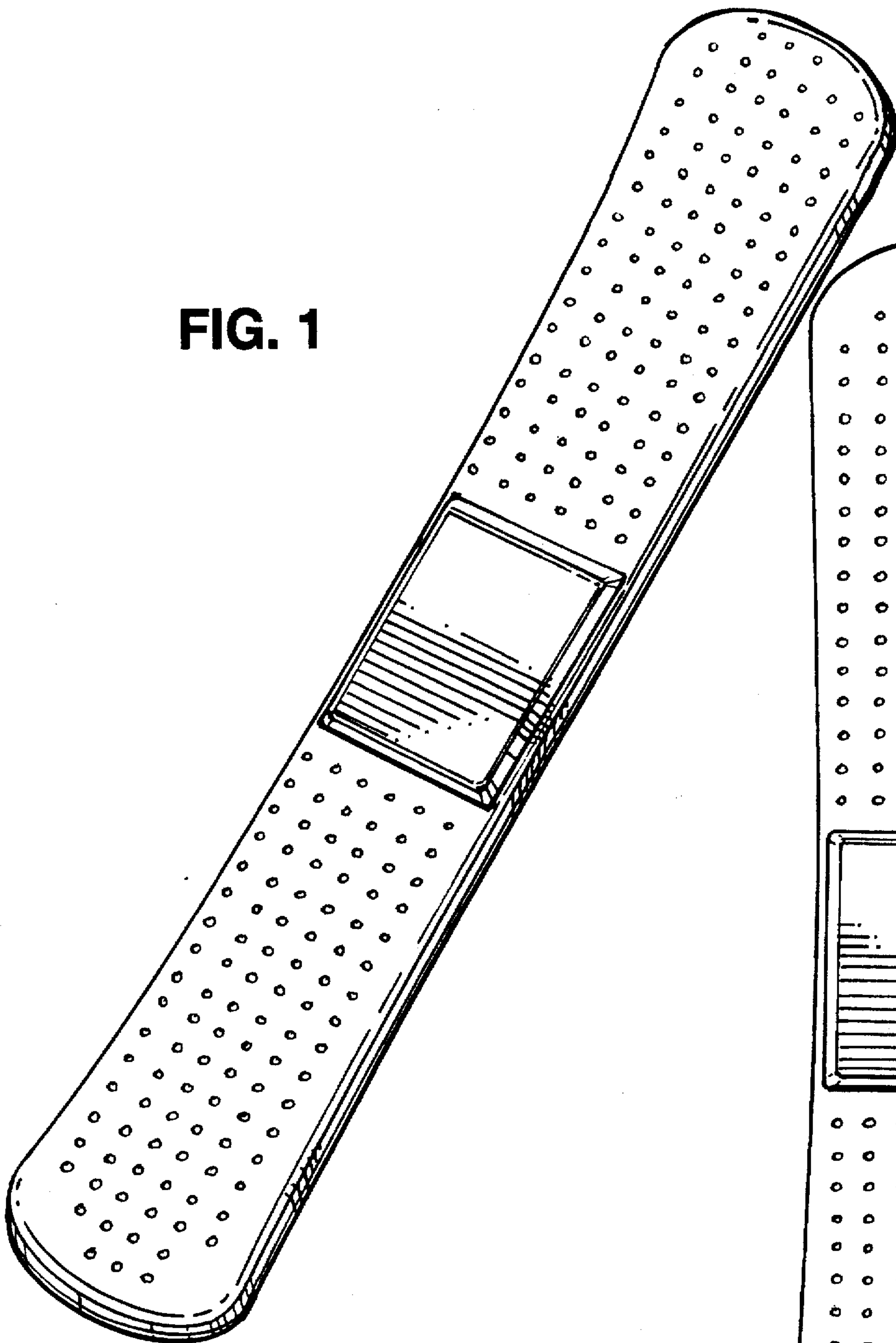


FIG. 2

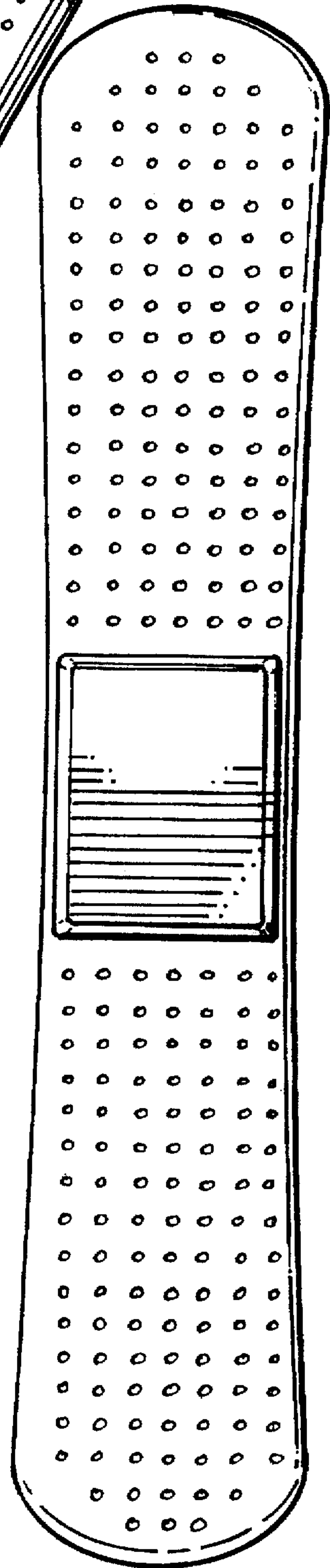


FIG. 3

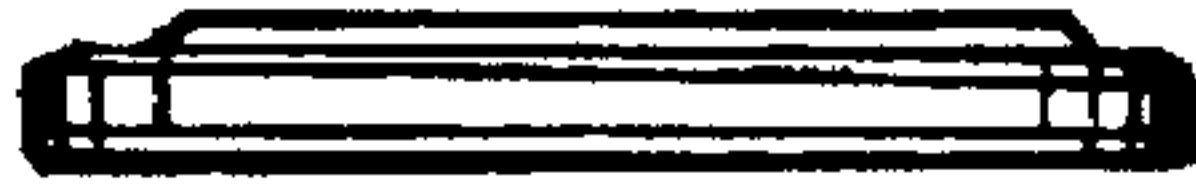


FIG. 4

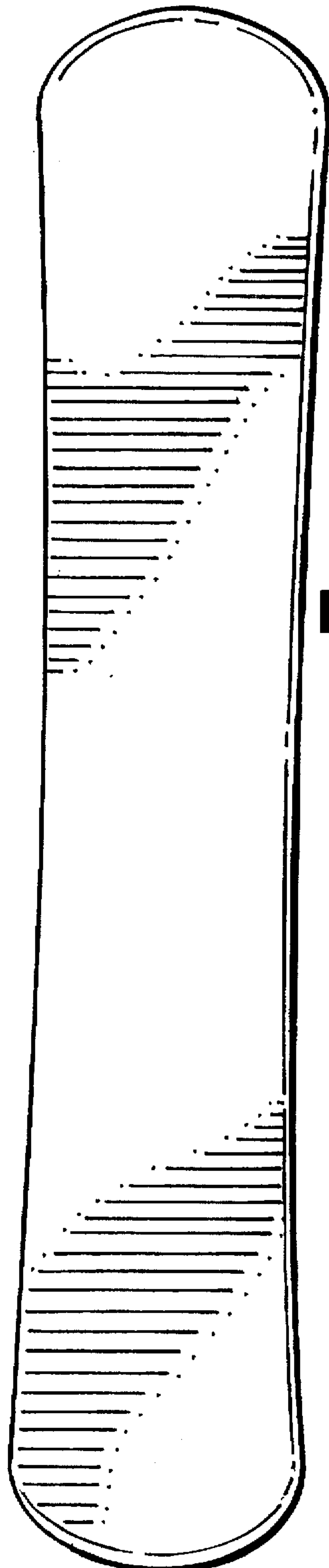


FIG. 5



FIG. 7

FIG. 6

