



US00D408065S

United States Patent [19]
Broadbridge

[11] **Patent Number: Des. 408,065**

[45] **Date of Patent: **Apr. 13, 1999**

[54] **HEAD FOR A GOLF PUTTER**

[76] **Inventor: John Broadbridge, 7 Pheasant La.,
Bridgewater, Conn. 06752**

[**] **Term: 14 Years**

[21] **Appl. No.: 29/089,729**

[22] **Filed: Jun. 22, 1998**

[51] **LOC (6) Cl. 21-02**

[52] **U.S. Cl. D21/736**

[58] **Field of Search D21/736-746;
473/324, 327, 328, 340, 341, 251-256**

[56] **References Cited**

U.S. PATENT DOCUMENTS

D. 360,444	7/1995	Takahashi et al.	D21/745
D. 367,691	3/1996	Lee et al.	D21/742
D. 386,233	11/1997	Fahy et al.	D21/743
5,423,545	6/1995	Narry	473/253

*Primary Examiner—Mitchell I. Siegel
Attorney, Agent, or Firm—Dallett Hoopes*

[57] **CLAIM**

The ornamental design for a head for a golf putter, as shown and described.

DESCRIPTION

FIG. 1 is a perspective view of the head for a golf putter showing my new design, the broken line showing of a shaft and handle is for illustrative purposes only and forms no part of the claimed design;

FIG. 2 is an enlarged left side elevational view;

FIG. 3 is a top plan view of FIG. 2;

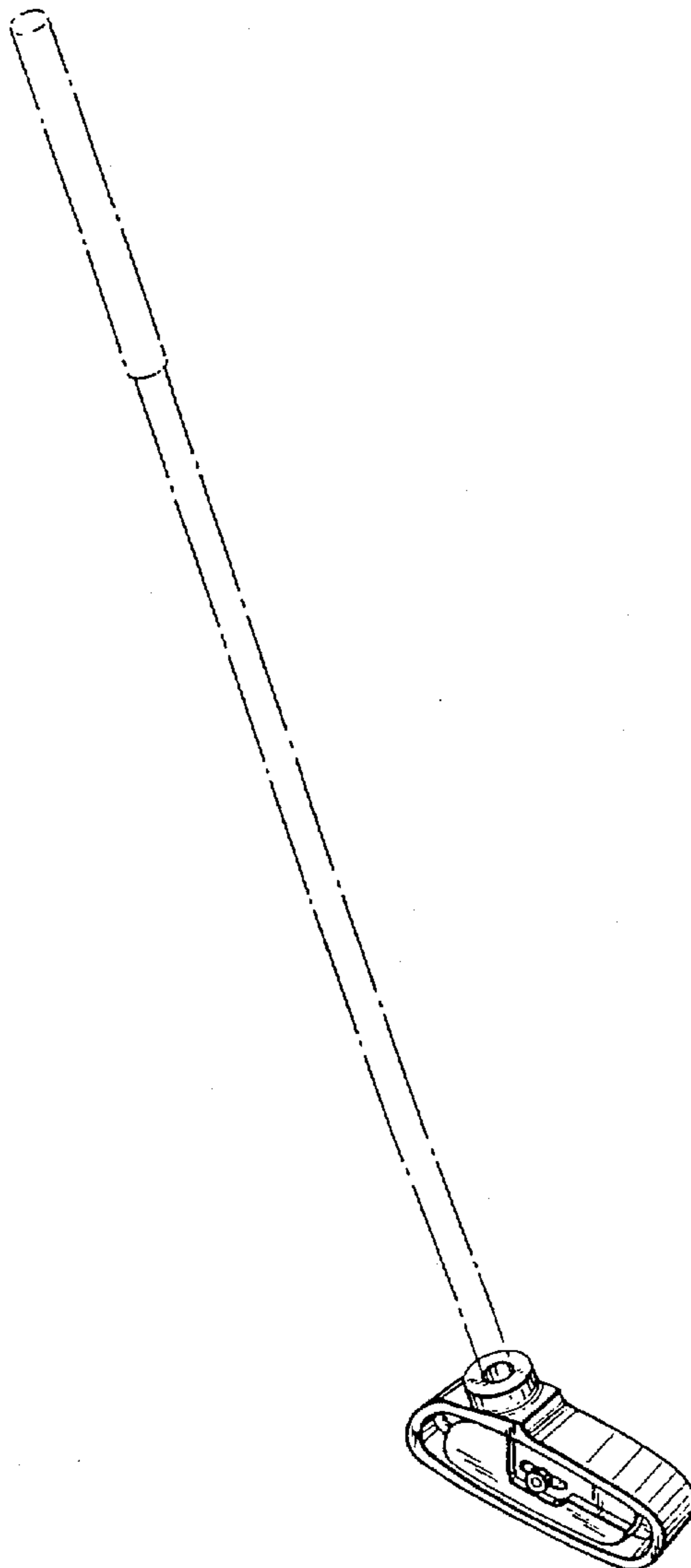
FIG. 4 is a front elevational view of FIG. 2;

FIG. 5 is a rear elevational view of FIG. 2;

FIG. 6 is a bottom plan view of FIG. 2; and,

FIG. 7 is a right side elevational view of FIG. 2.

1 Claim, 2 Drawing Sheets



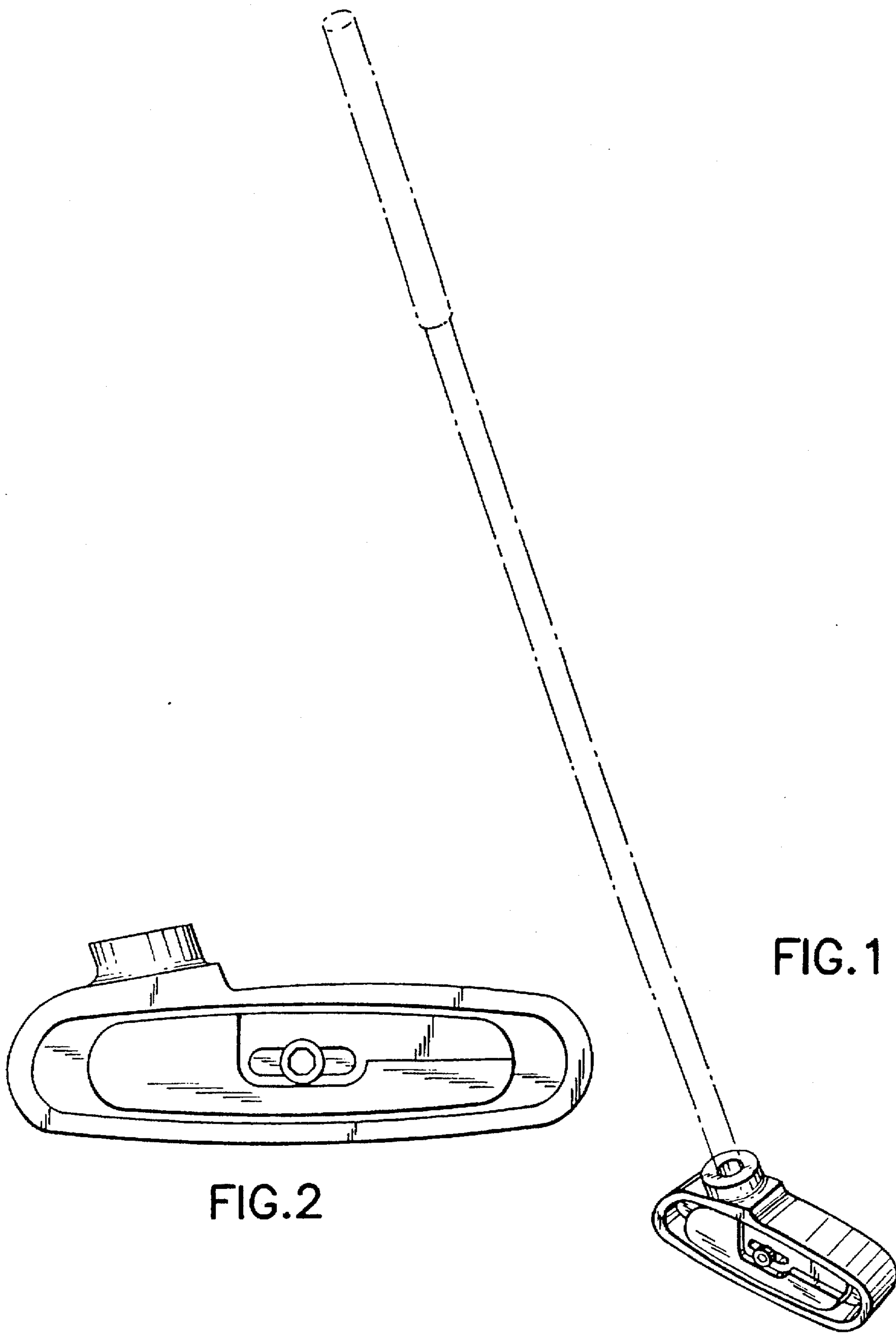


FIG.2

FIG.1

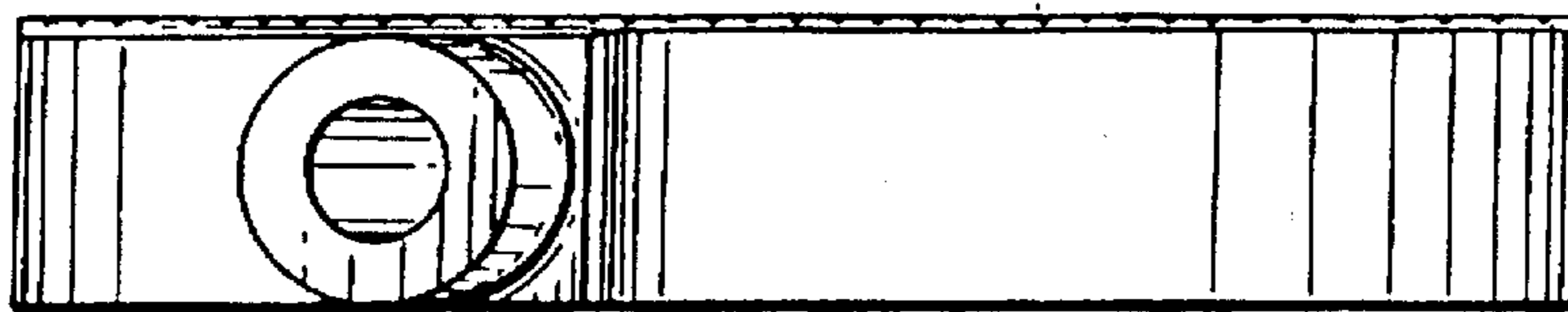


FIG. 3

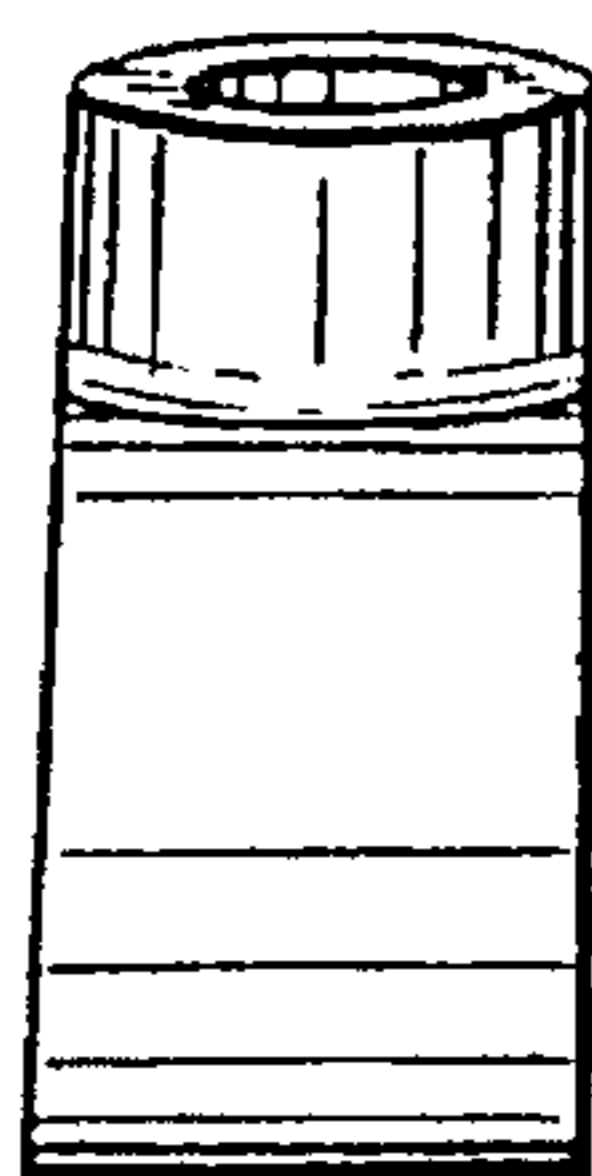


FIG. 4



FIG. 5



FIG. 6

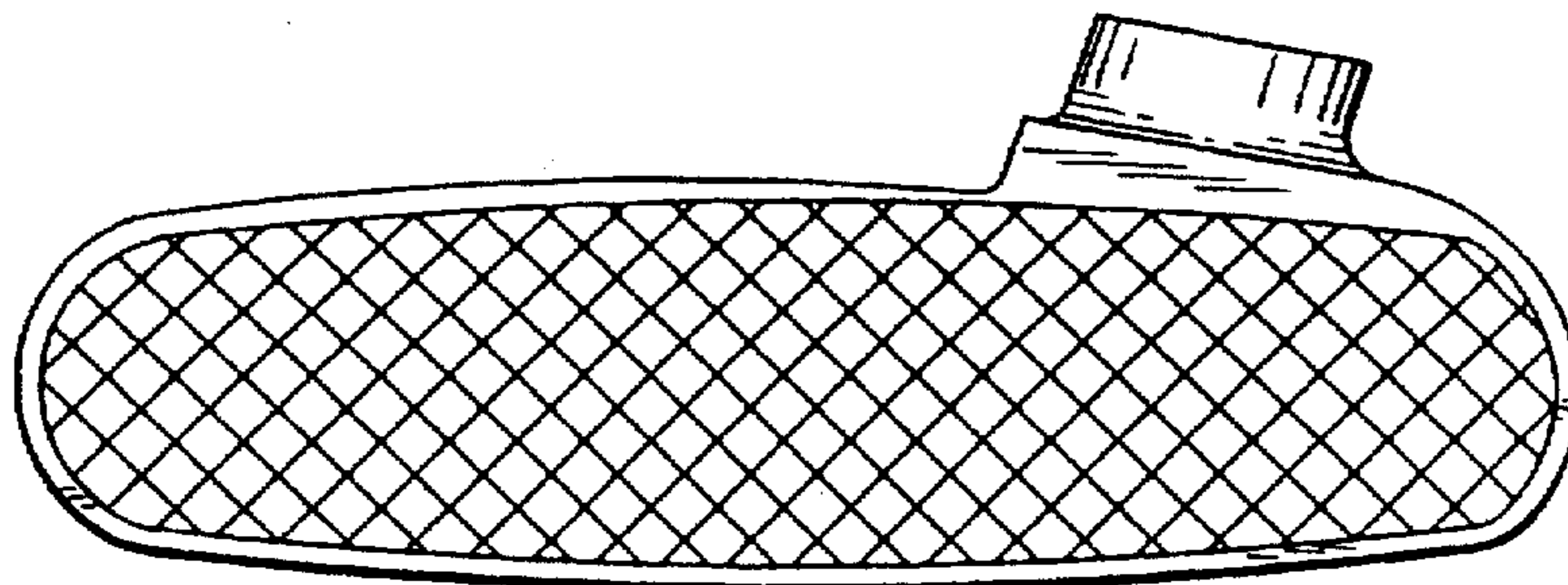


FIG. 7