



US00D408064S

United States Patent [19] Slucker

[11] Patent Number: **Des. 408,064**

[45] Date of Patent: ****Apr. 13, 1999**

[54] **PUTTER HEAD**

4,881,739 11/1989 Garcia 273/164
5,354,060 10/1994 Wooten 273/169

[75] Inventor: **Rudy Slucker**, South Orange, N.J.

[73] Assignee: **TearDrop Golf Company**, Morton Grove, Ill.

[**] Term: **14 Years**

[21] Appl. No.: **29/079,722**

[22] Filed: **Nov. 21, 1997**

[51] LOC (6) Cl. **21-02**

[52] U.S. Cl. **D21/736**

[58] Field of Search D21/736-746;
473/251-256, 324, 327, 328, 340, 341

[56] **References Cited**

U.S. PATENT DOCUMENTS

D. 138,380	7/1944	Myers et al.	D34/5
D. 183,180	7/1958	Phillips	D34/5
D. 212,890	12/1968	Rose	D34/5
D. 231,375	4/1974	Solheim	D21/742
D. 279,497	7/1985	Brown	D21/219
D. 306,630	3/1990	Dinte et al.	D21/743
D. 345,190	3/1994	Wooten	D21/217
D. 350,998	9/1994	Wooten	D21/217
D. 356,132	3/1995	Ackerman	D21/743
D. 396,080	7/1998	Bottema	D21/736
823,082	6/1906	Robertson .	
1,046,343	12/1912	Smith .	
1,525,137	2/1925	Lawton .	
1,617,090	2/1927	Worthington .	
1,647,487	11/1927	Vernon .	
2,083,189	6/1937	Crooker	273/77
2,472,978	6/1949	Mahon	273/77
2,826,417	3/1958	Marcoccio	273/129
3,062,549	11/1962	Duden	273/81.3
3,240,497	3/1966	Taylor	273/163
4,043,562	8/1977	Shillington	273/164
4,422,638	12/1983	Tucker	273/78
4,607,846	8/1986	Perkins	273/171

OTHER PUBLICATIONS

Edwin Watts; p. 29; Odtsssey putter 552 and 550; p. 21; Forged cavity milled putter, bottom center of page, Jun. 1996.
Golfer's Guide—A New Revolution In Putting—The Tear-drop Putter Pure Roll, Pure Innovation—1992.
Putter Advertisements; Austads Magazine p. 25 prior to Aug. 1995.

Primary Examiner—Mitchell I Siegel
Attorney, Agent, or Firm—Tilton, Fallon, Lungmus & Chestnut

[57] **CLAIM**

The ornamental design for a "putter head", as shown and described.

DESCRIPTION

FIG. 1 is a rear, right side perspective view of a putter head showing my new design;
FIG. 2 is a front view thereof;
FIG. 3 is a rear view thereof;
FIG. 4 is a left side view thereof;
FIG. 5 is a right side view thereof;
FIG. 6 is a top view thereof;
FIG. 7 is a bottom view thereof;
FIG. 8 is a left side view of a second embodiment of the putter head as disclosed in FIG. 1;
FIG. 9 is a right side view of the embodiment of FIG. 8; and,
FIG. 10 is a top view of the embodiment of FIG. 8.
The undisclosed sides of the second embodiment of the putter head is identical to the first embodiment.
The broken line showing of a fragmented shaft is for illustrative purposes only and forms no part of the claimed design.

1 Claim, 4 Drawing Sheets

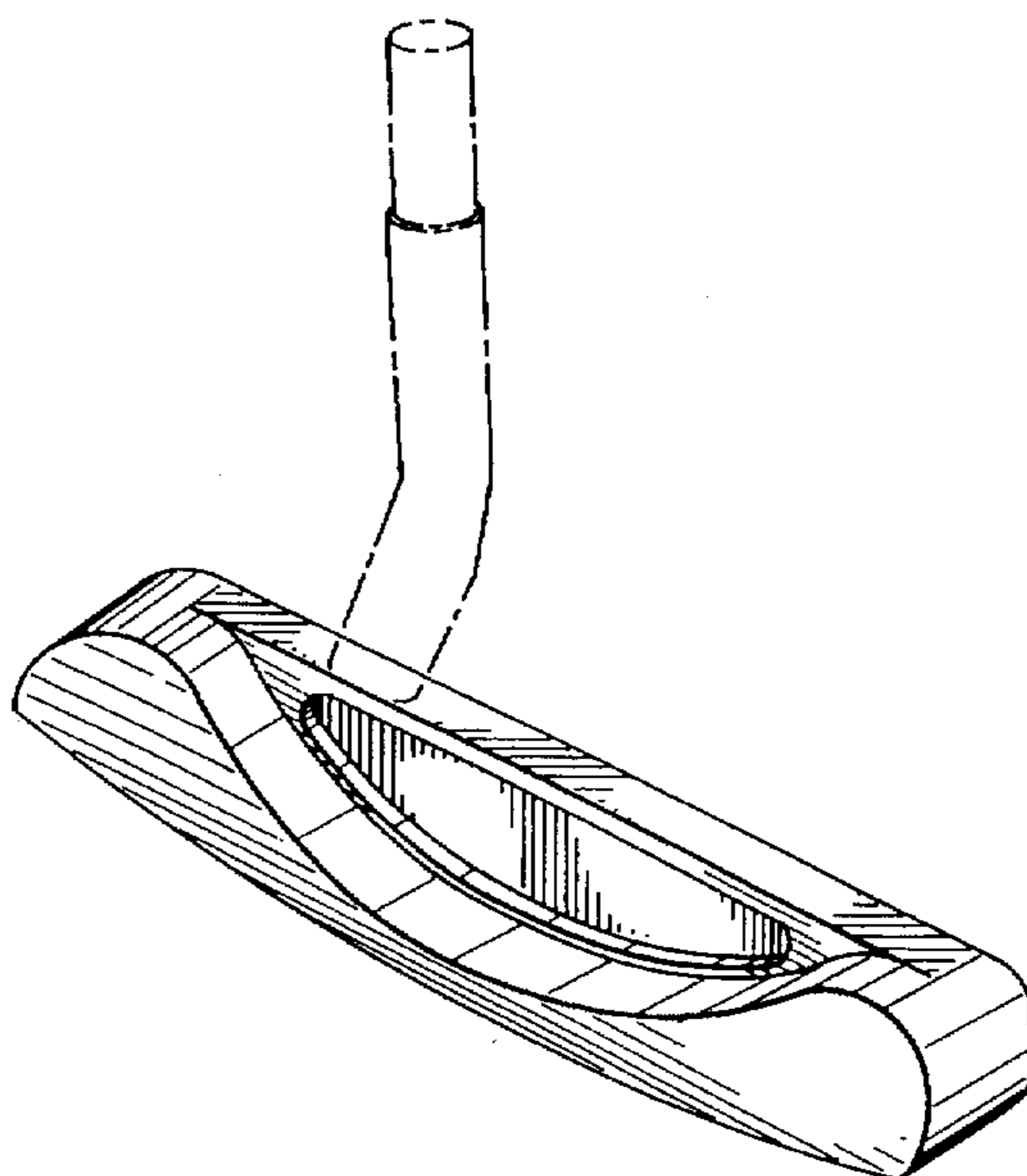


FIG. 1

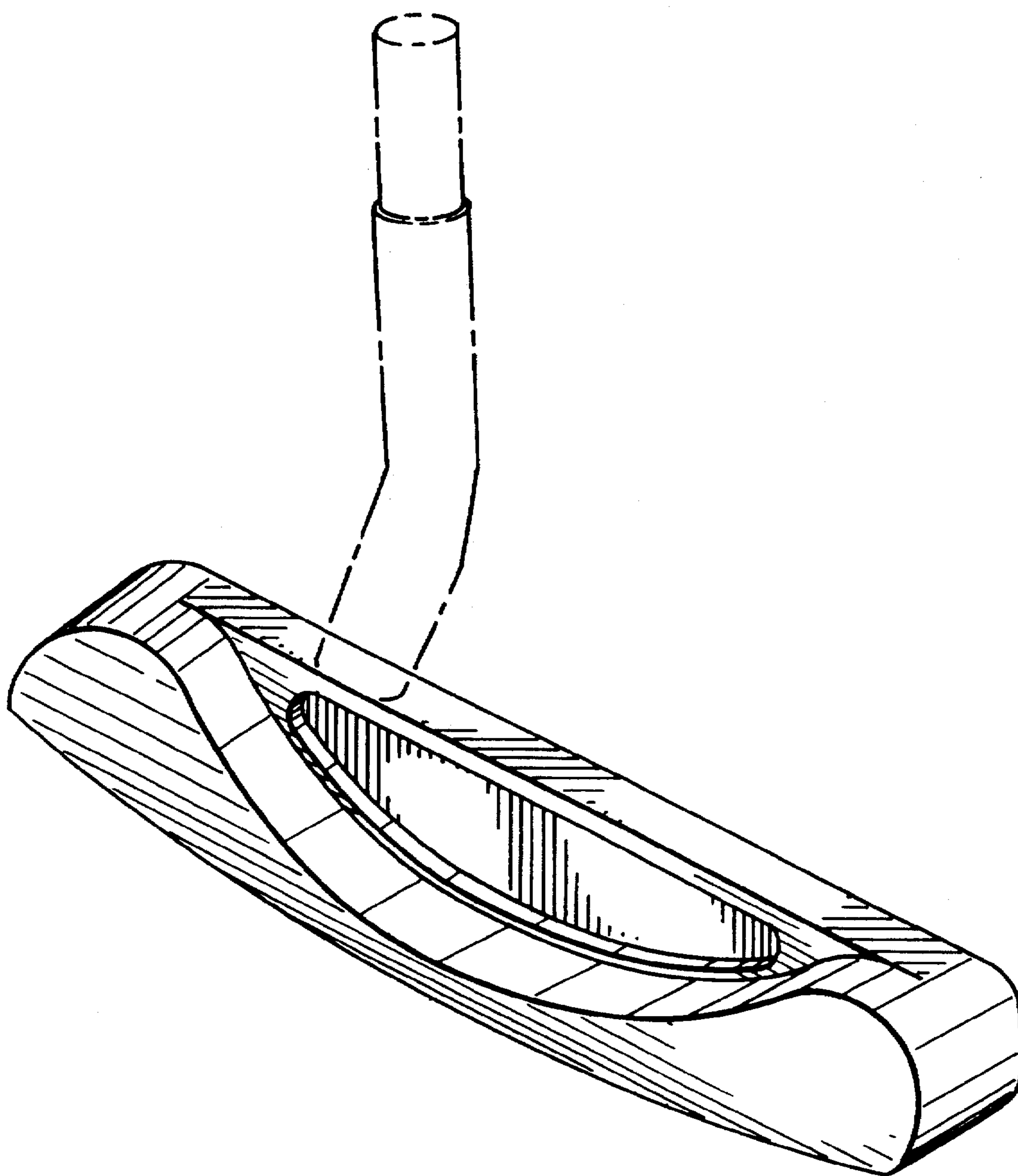


FIG. 2

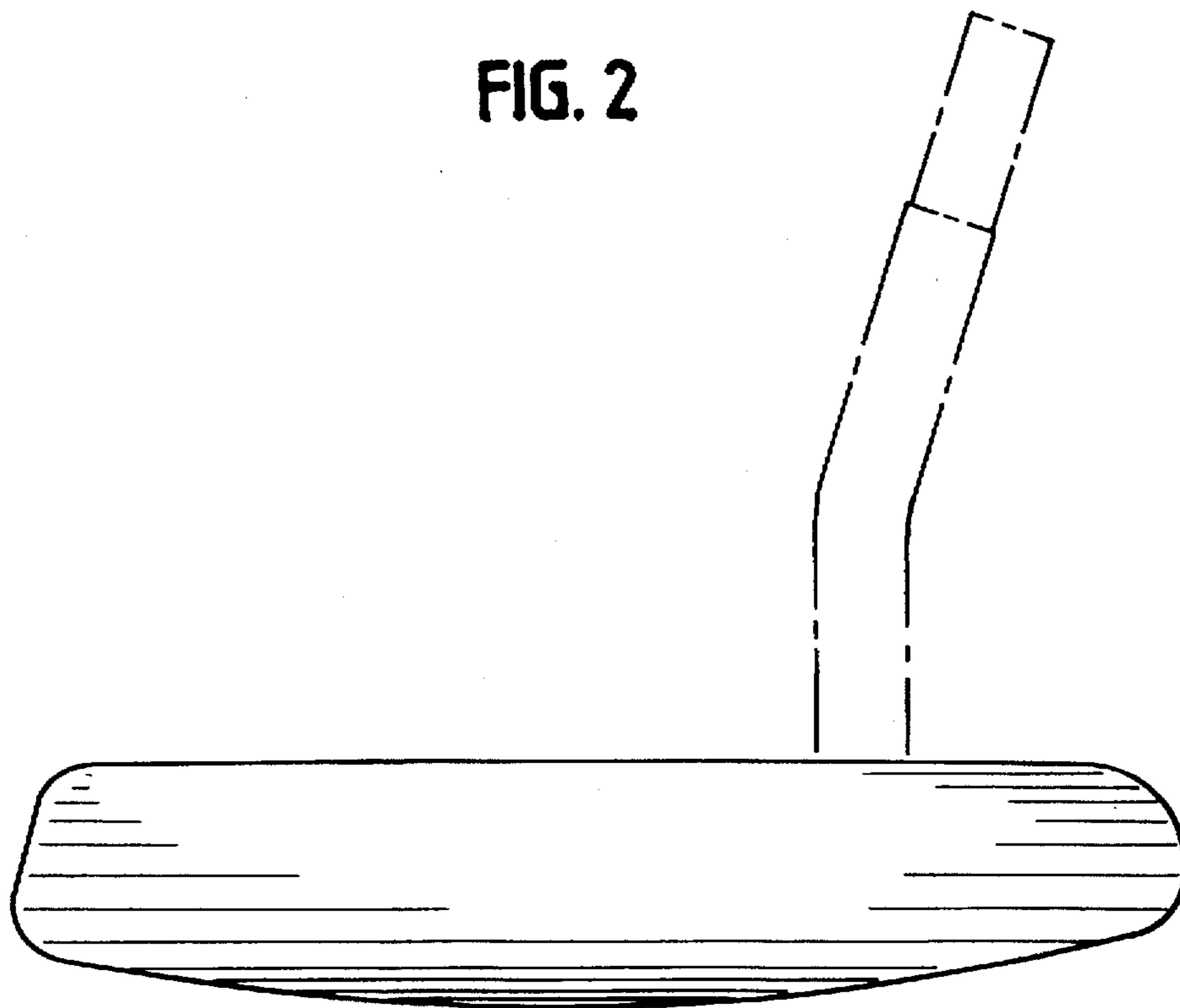


FIG. 3

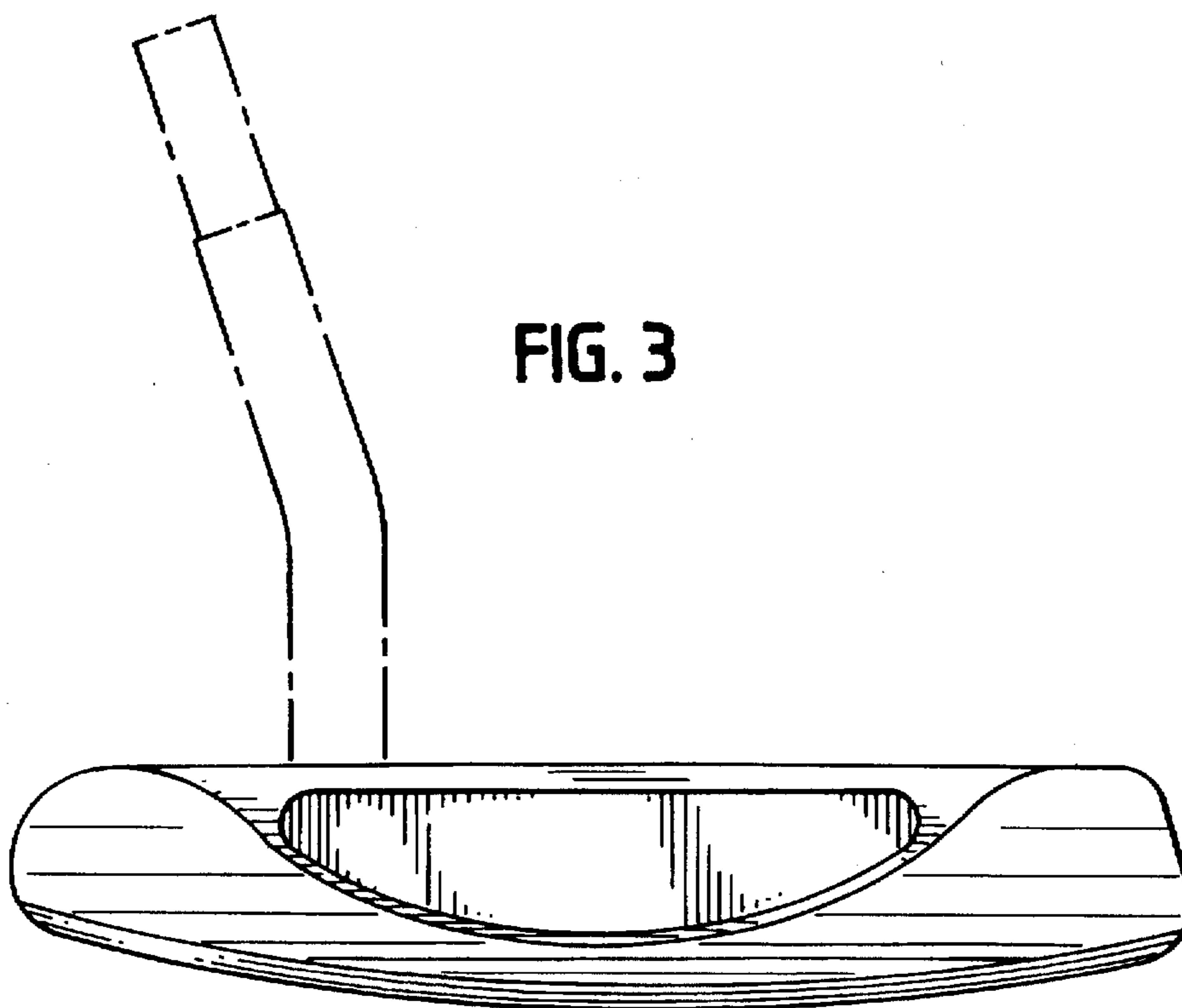


FIG. 4



FIG. 5



FIG. 6

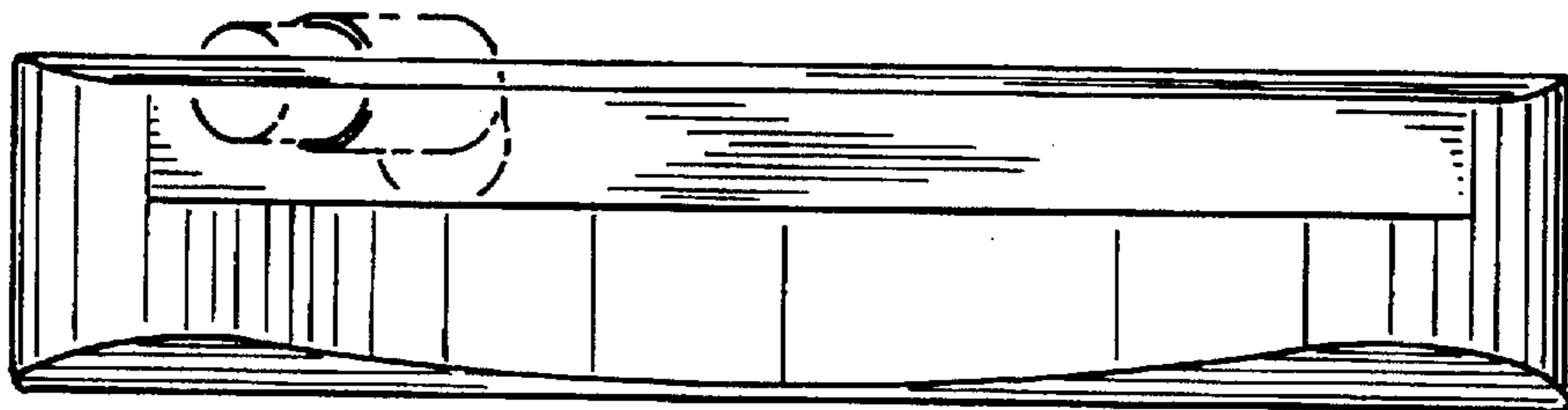


FIG. 7

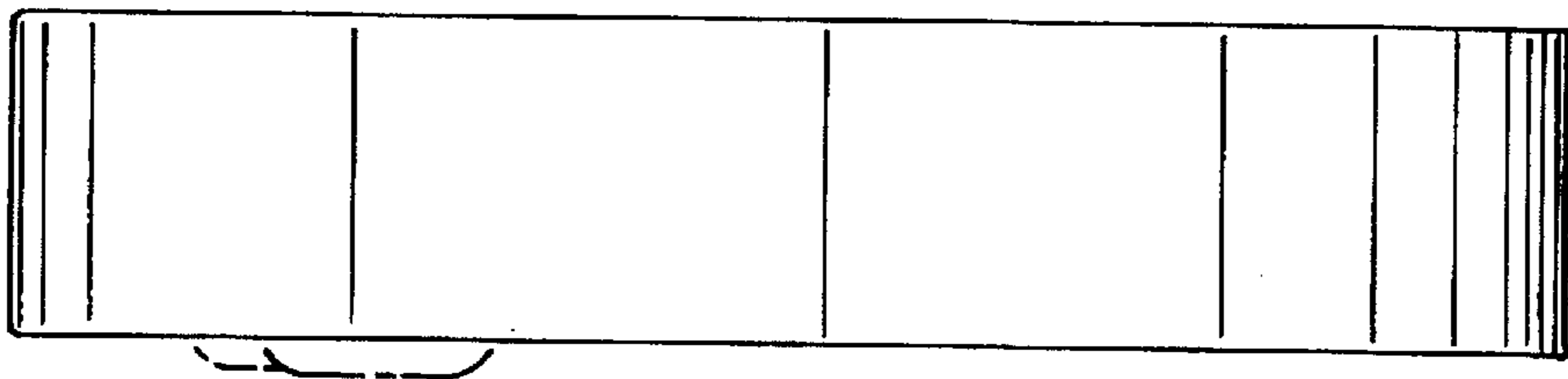


FIG. 8

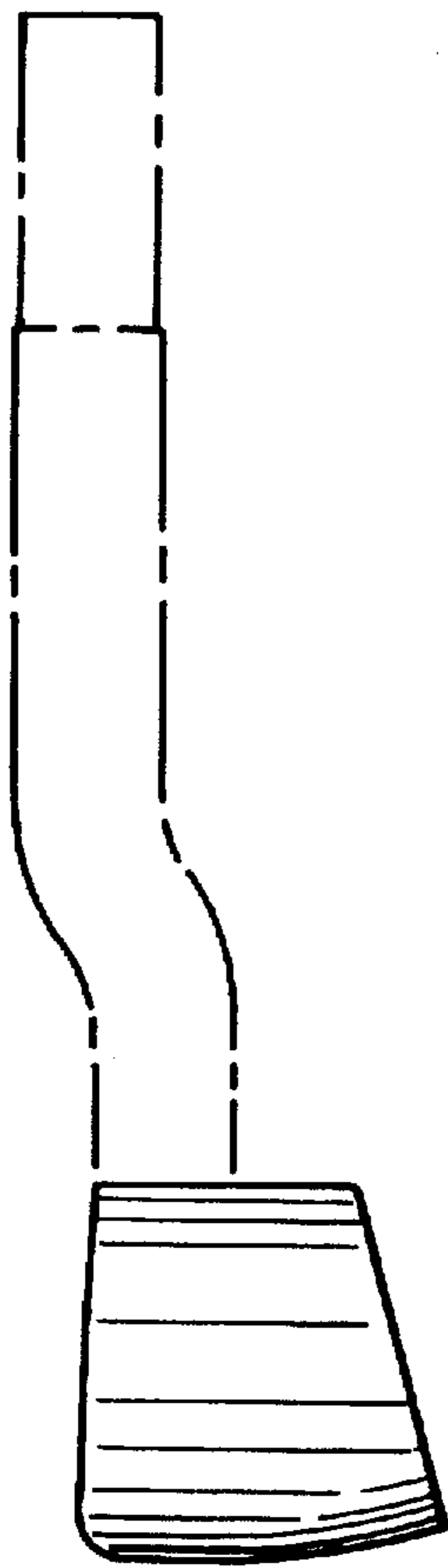


FIG. 9



FIG. 10

