



US00D408059S

# United States Patent [19]

Marnix

[11] Patent Number: **Des. 408,059**

[45] Date of Patent: **\*\*Apr. 13, 1999**

[54] **COMBINED HAND EXERCISER AND PAPERWEIGHT**

[75] Inventor: **Kleefmann Marnix**, Delft, Netherlands

[73] Assignee: **Pollyflame International B.V.**,  
Roelofarendsveen, Netherlands

[\*\*] Term: **14 Years**

[21] Appl. No.: **29/091,744**

[22] Filed: **Aug. 5, 1998**

[51] LOC (6) Cl. .... **19-02**

[52] U.S. Cl. .... **D19/97; D19/96; D19/82;**  
**D11/133; D21/684**

[58] Field of Search ..... **D21/684; D19/65,**  
**D19/75, 82, 95, 96, 97, 99, 100; D10/6;**  
**482/44, 49, 50; 294/1.1, 92; 40/358, 214,**  
**551, 552, 545, 596, 620; D11/133, 157;**  
**432/144**

[56] **References Cited**

**U.S. PATENT DOCUMENTS**

- D. 15,480 10/1884 Summer ..... D6/450
- D. 187,580 4/1960 Holden ..... D8/401
- D. 248,936 8/1978 Lohan ..... D11/157
- D. 305,619 1/1990 Diehl ..... D10/6
- D. 327,307 6/1992 Mojden ..... D21/684
- D. 360,849 8/1995 Beckett ..... D11/133 X

- D. 379,104 5/1997 Beard et al. .... D21/684
- D. 390,614 2/1998 Morley ..... D21/684 X
- 3,358,398 12/1967 Chalfin ..... 40/596
- 3,675,355 7/1972 Shanok et al. .... 40/596
- 3,947,237 3/1976 Ongaro ..... 432/144 X
- 3,965,597 6/1976 Noellert ..... 40/545

**OTHER PUBLICATIONS**

Computer Typefaces—Styles Showing the “at” Symbol, 1995.

*Primary Examiner*—Martie K. Holtje

*Attorney, Agent, or Firm*—Notaro & Michalos P.C.

[57] **CLAIM**

The ornamental design for a combined hand exerciser and paperweight, as shown and described.

**DESCRIPTION**

FIG. 1 is a right, bottom, front perspective view of the design for the combined hand exerciser and paperweight, illustrating my new design therefor;

FIG. 2 is a front elevational view of the design;

FIG. 3 is a rear elevational view thereof;

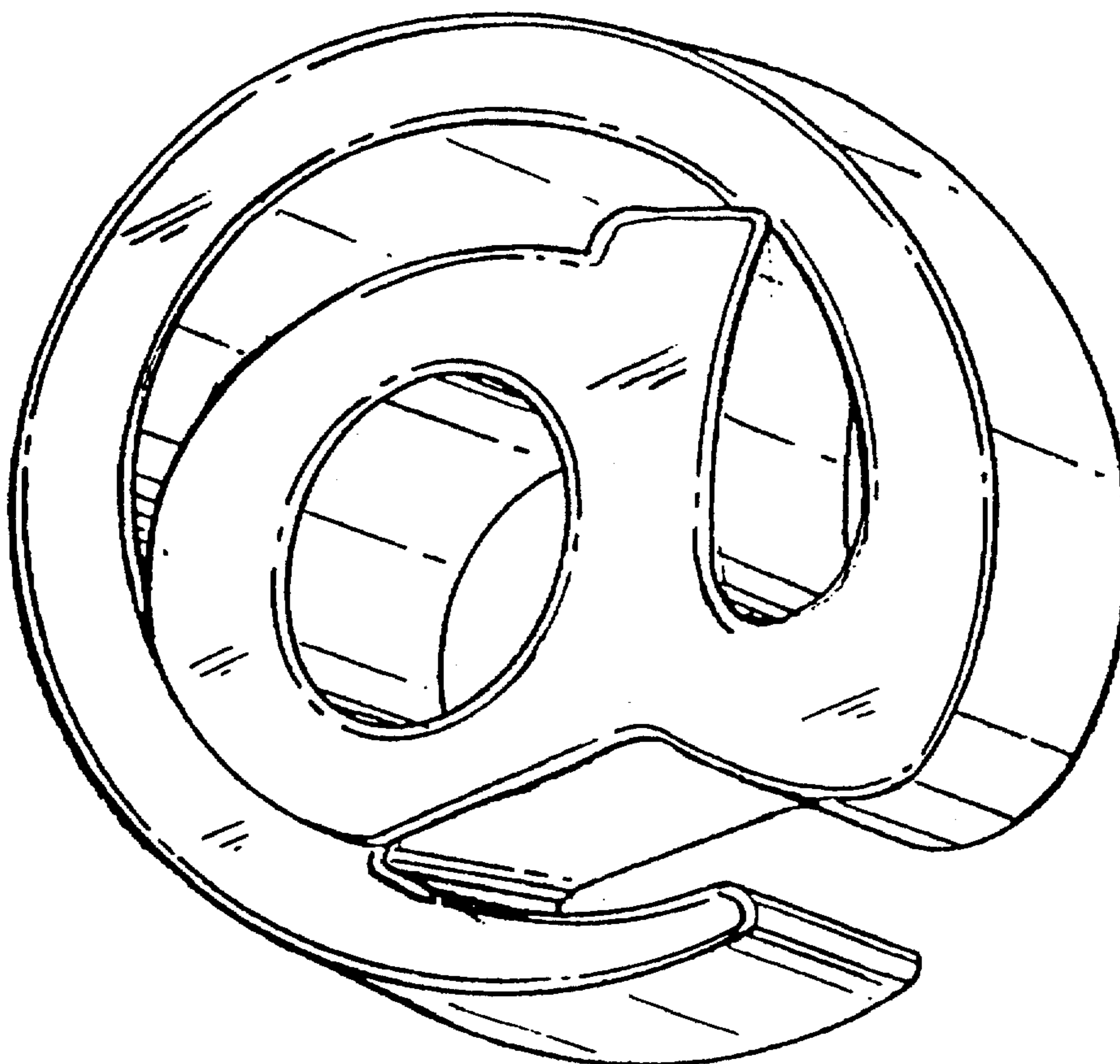
FIG. 4 is a bottom plan view thereof;

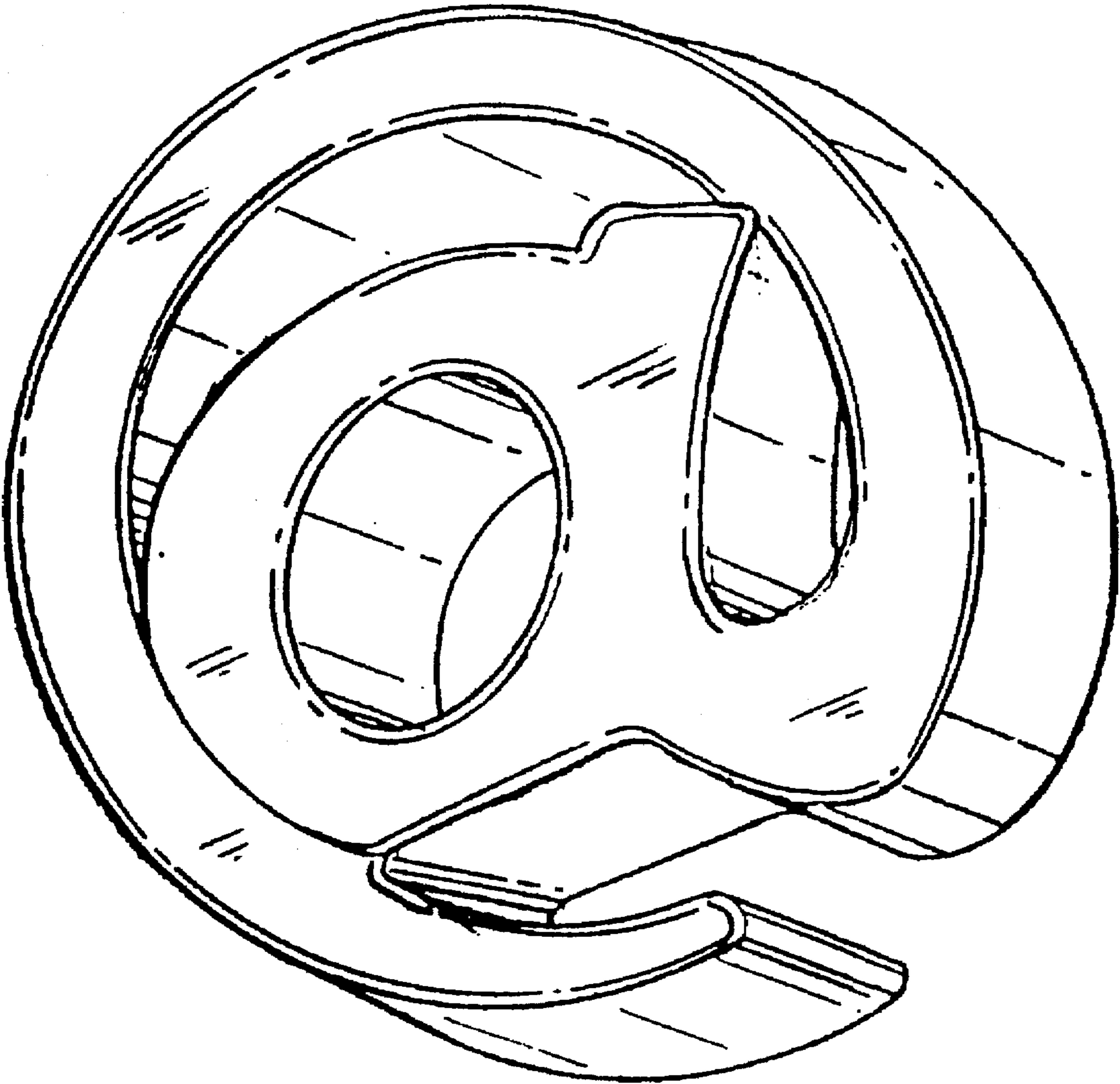
FIG. 5 is a top plan view thereof;

FIG. 6 is a right side elevational view thereof; and,

FIG. 7 is a left side elevational view of the design.

**1 Claim, 3 Drawing Sheets**





**FIG. 1**

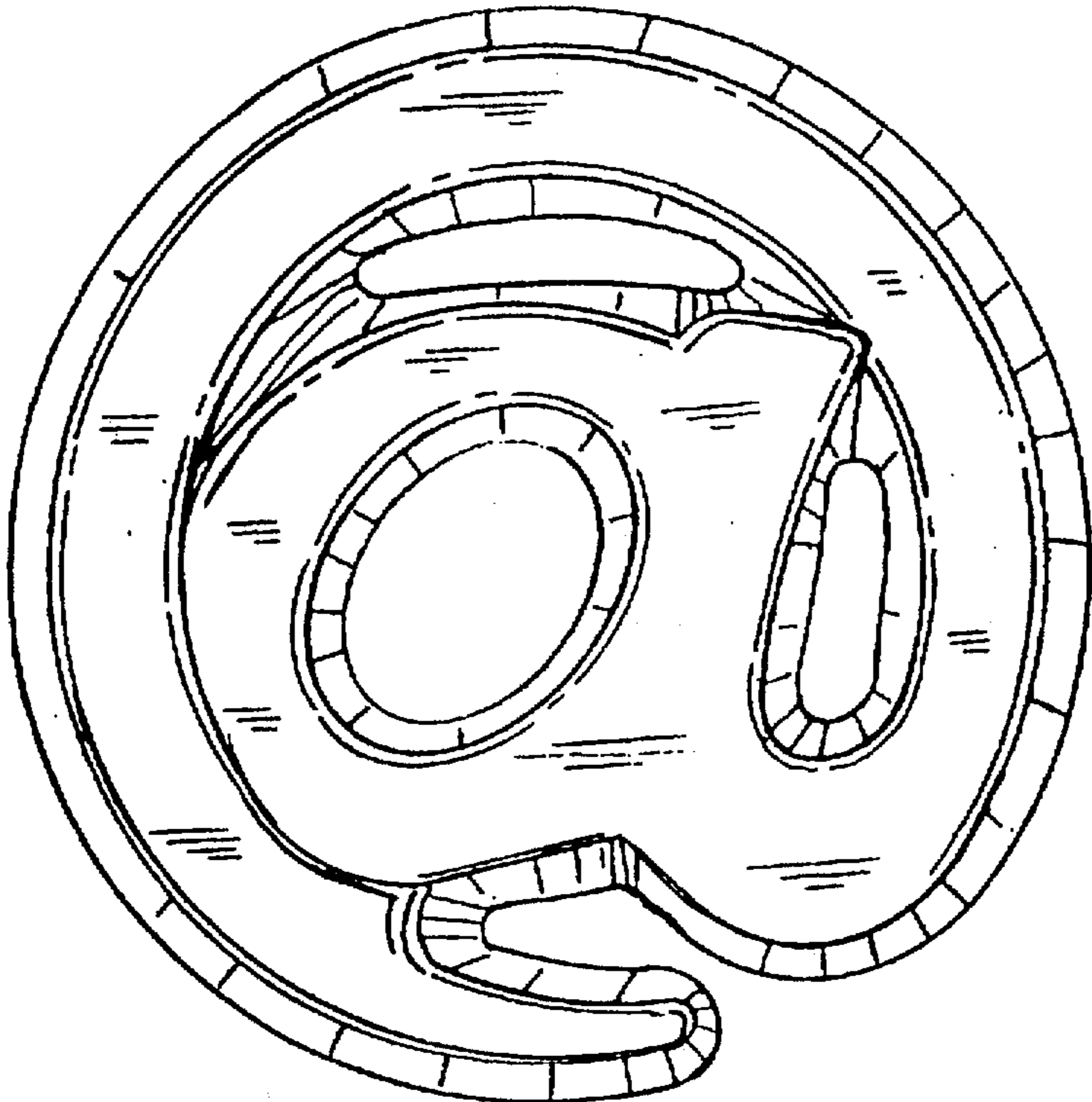


FIG. 2

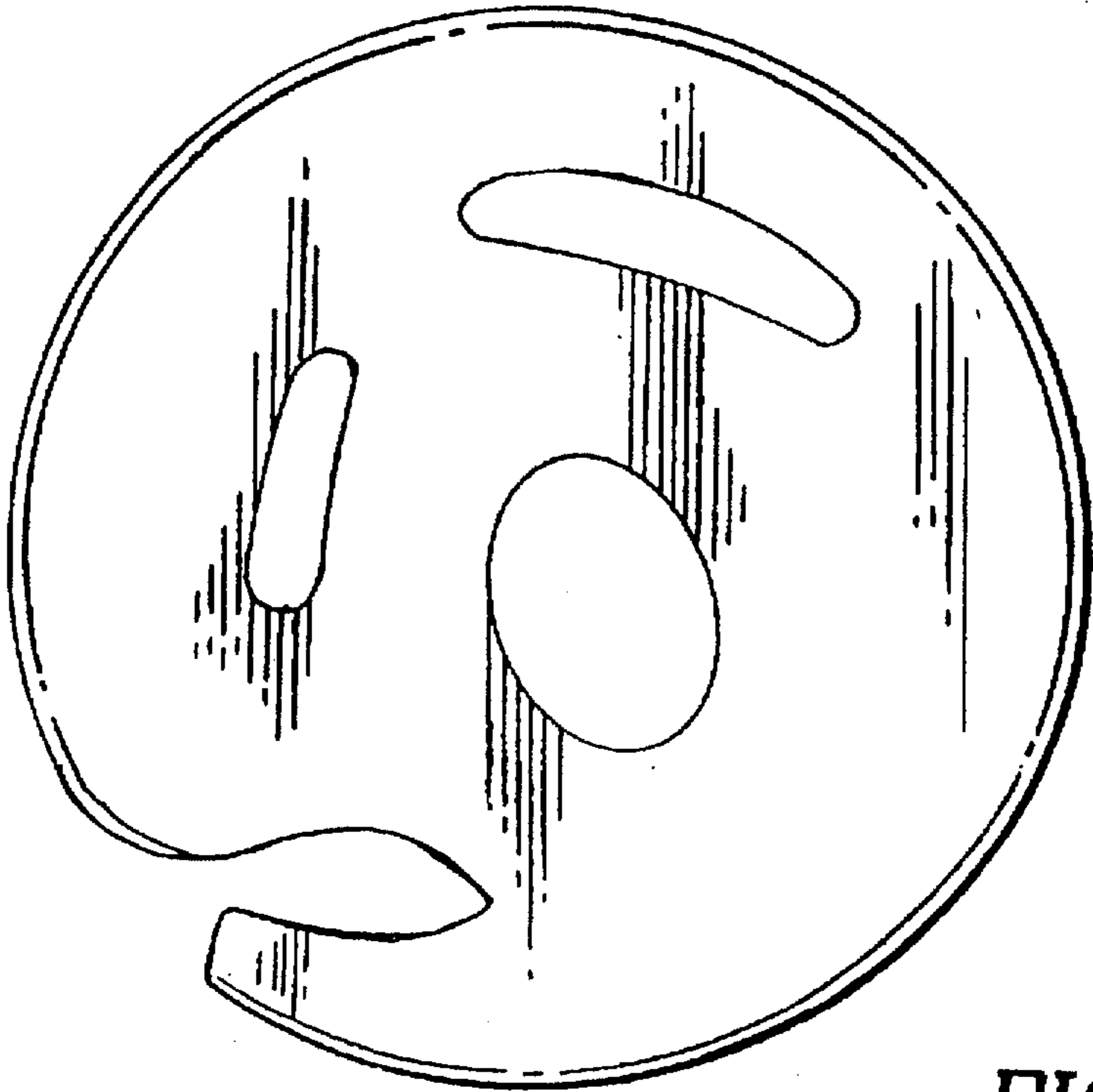
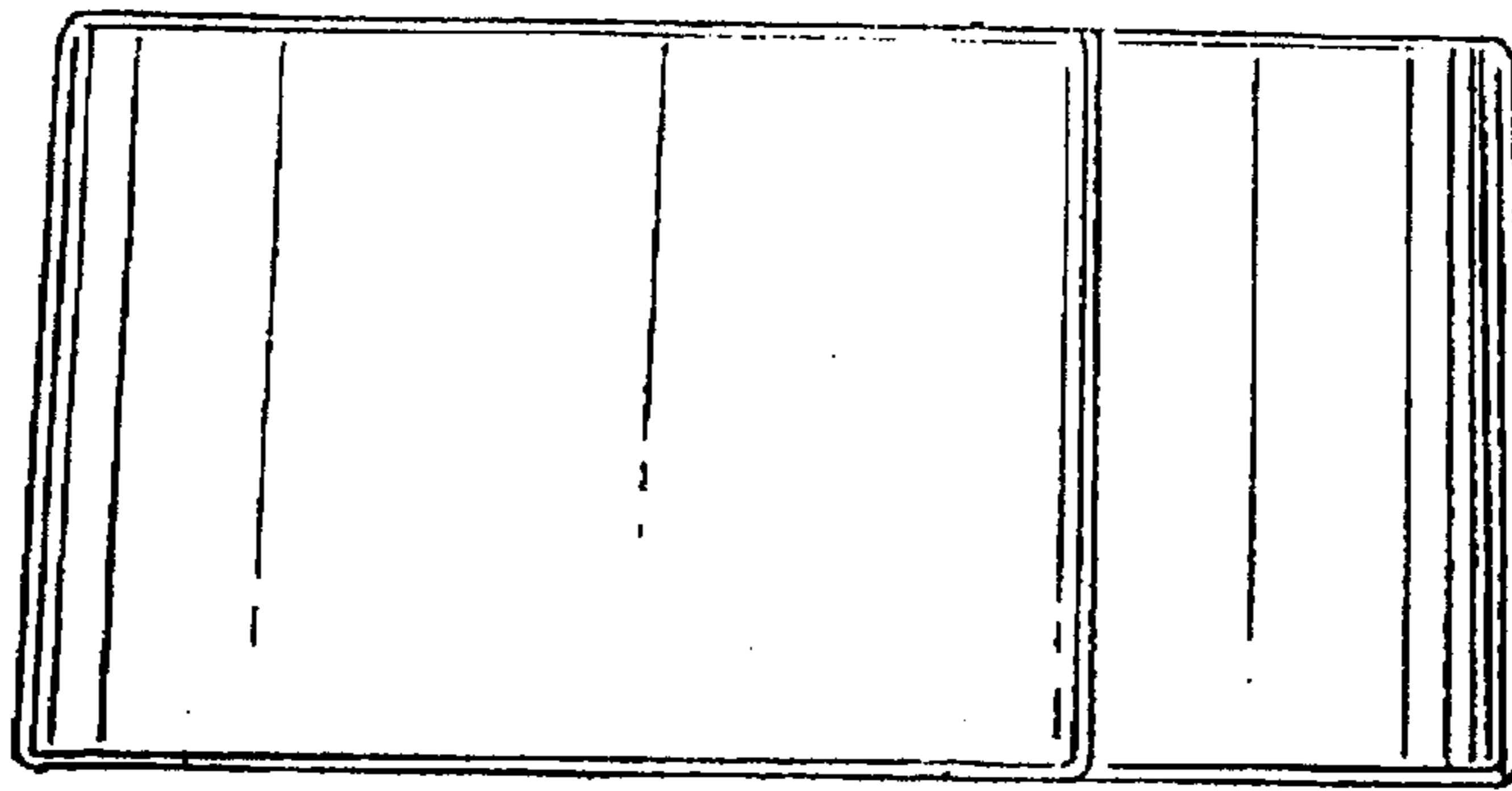
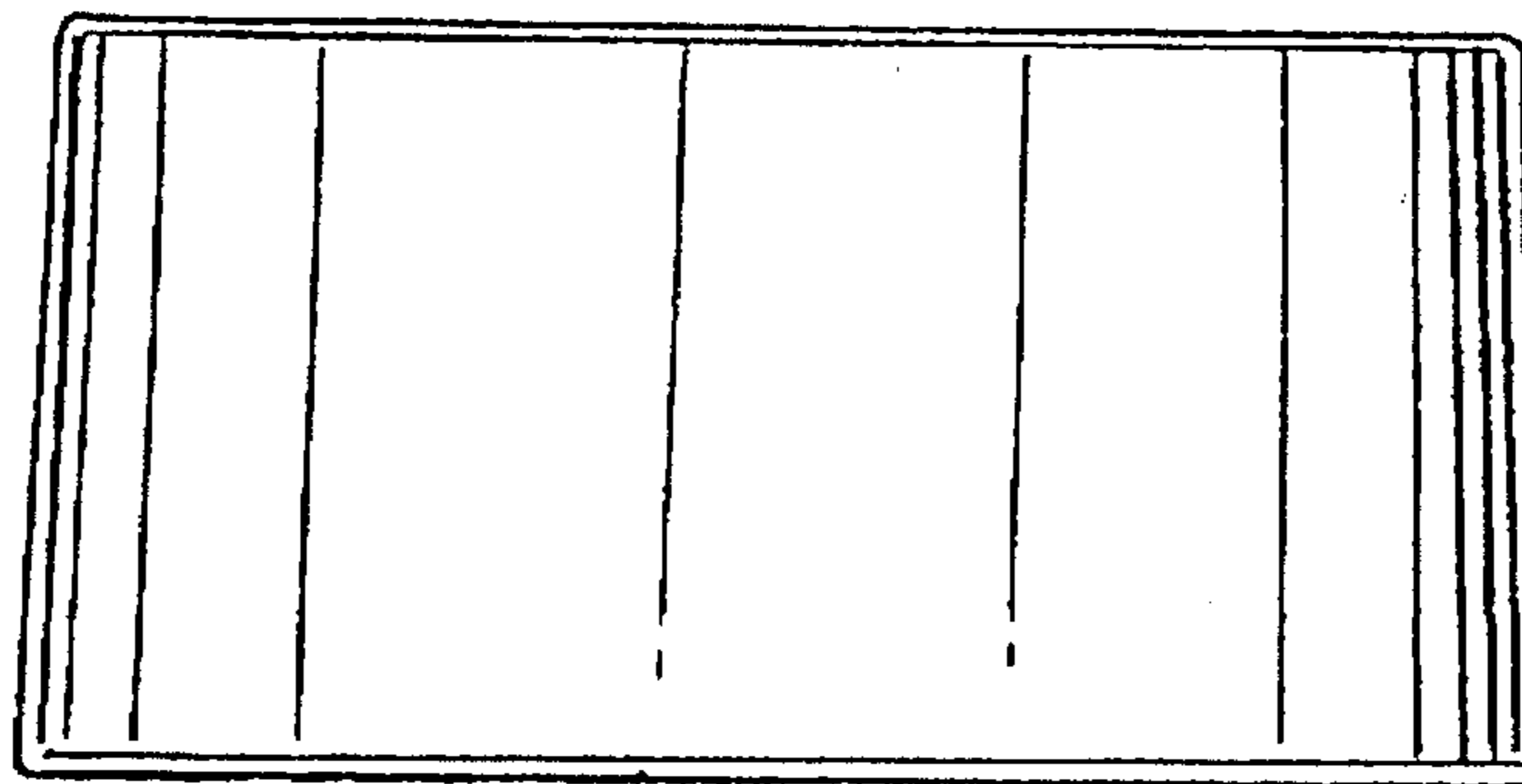


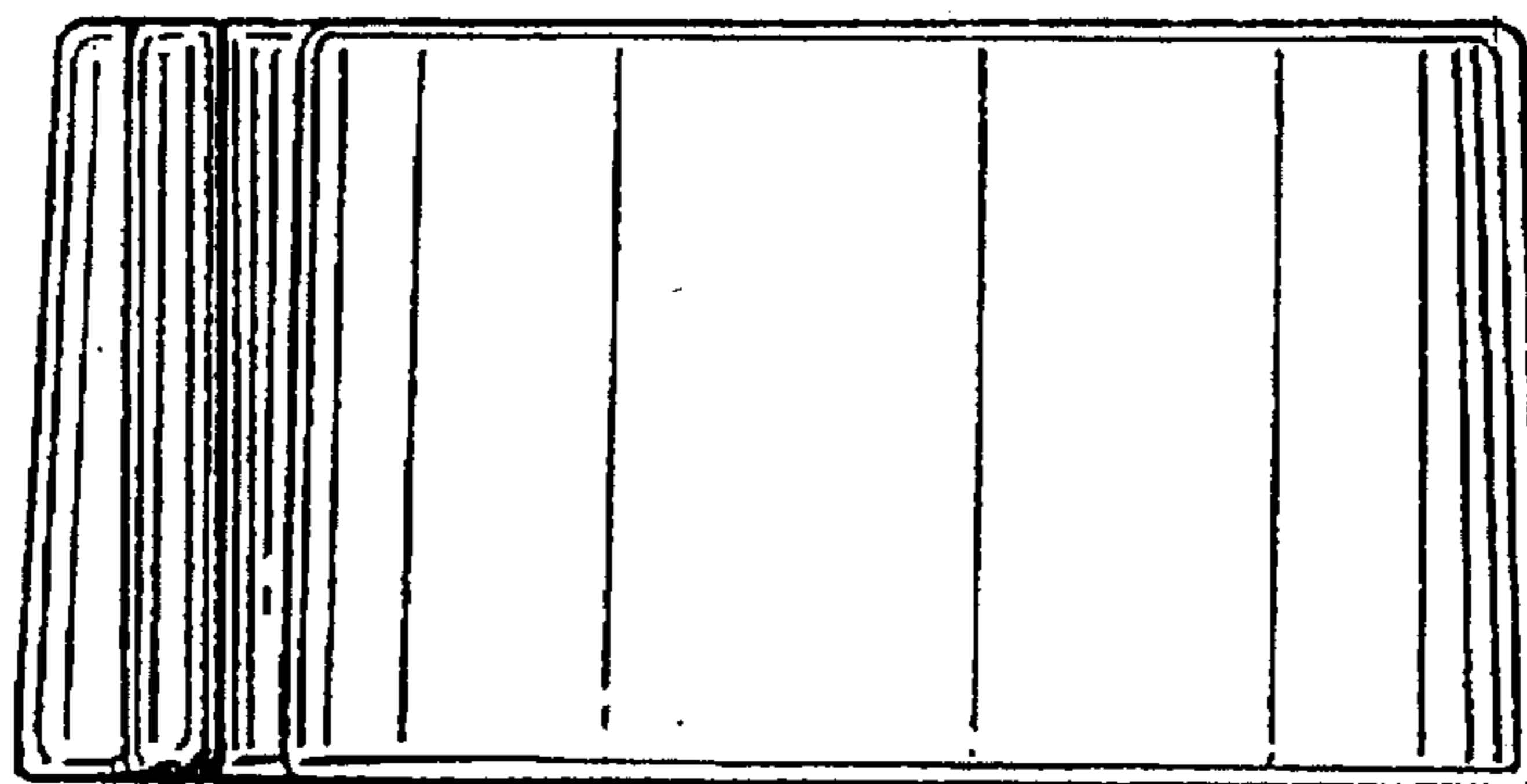
FIG. 3



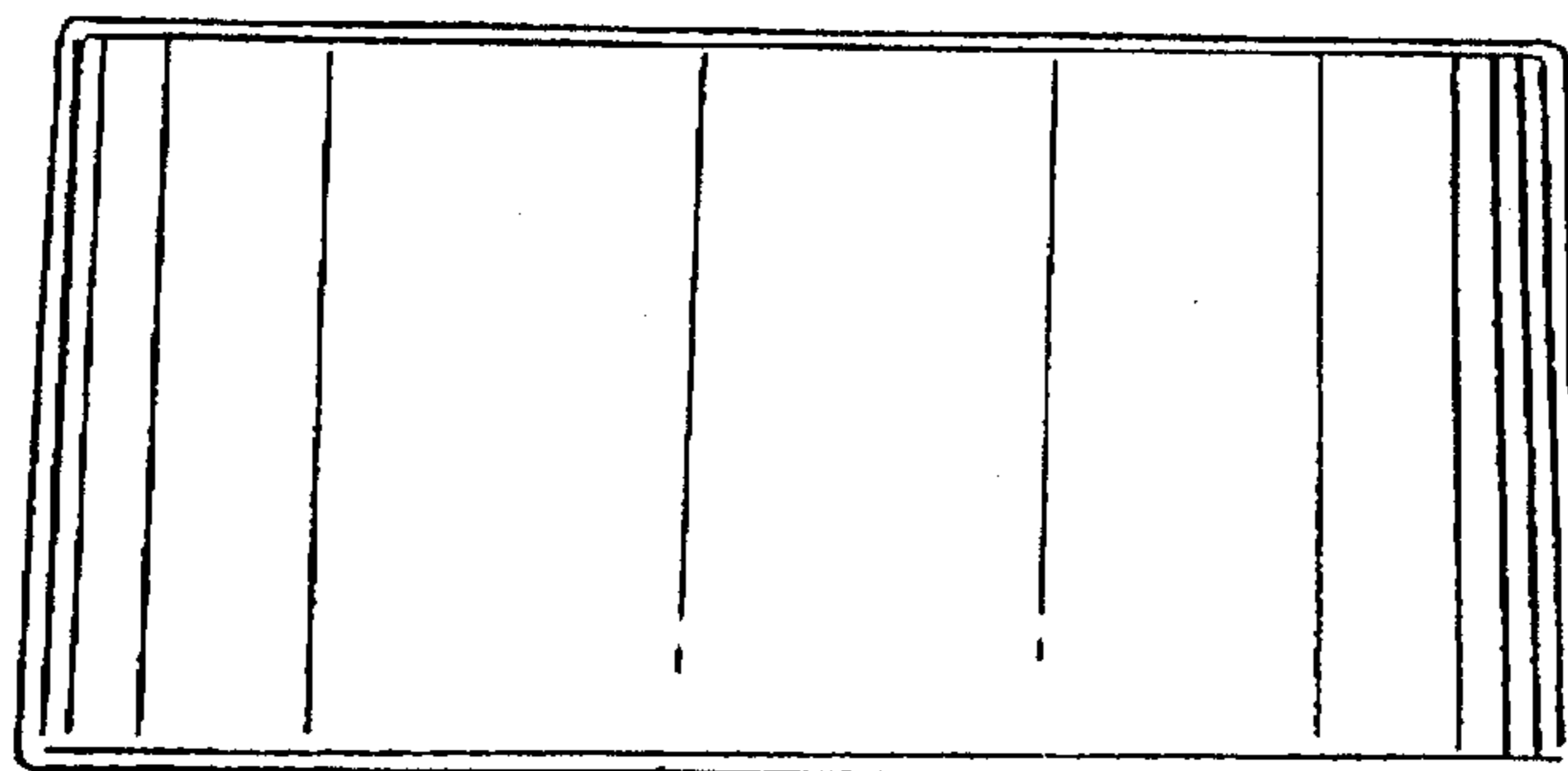
*FIG. 4*



*FIG. 5*



*FIG. 6*



*FIG. 7*