



US00D408058S

United States Patent [19]

Isaacs

[11] Patent Number: **Des. 408,058**

[45] Date of Patent: ****Apr. 13, 1999**

[54] **SOLUTION PEN HOLDER**

[75] Inventor: **Linda Robin Fuchs Isaacs**, Far Rockaway, N.Y.

[73] Assignee: **Innovative Premiums Inc.**, Oceanside, N.Y.

[**] Term: **14 Years**

[21] Appl. No.: **29/095,259**

[22] Filed: **Oct. 20, 1998**

[51] LOC (6) Cl. **19-06**

[52] U.S. Cl. **D19/85; D19/75; D19/90; D24/230**

[58] Field of Search **D19/35, 36, 65, D19/75, 77, 78, 81-85, 90, 95, 99, 100; D24/227, 229, 230; 206/214, 224, 371; 211/69.1-69.9, 68, 69**

[56] **References Cited**

U.S. PATENT DOCUMENTS

D. 183,031 6/1958 Tarte, Jr. D19/77

D. 206,324	11/1966	Broadwin	D24/230
D. 337,165	7/1993	Mallinoff	D24/277
D. 394,879	6/1998	Carbonaro	D19/78
1,092,156	4/1914	Mathis	211/69.1
1,463,805	8/1923	Faber	211/69.1
2,637,299	5/1953	Salkey	206/214
4,155,446	5/1979	Aronson	206/214 X

Primary Examiner—Martie K. Holtje
Attorney, Agent, or Firm—Helfgott & Karas, P. C.

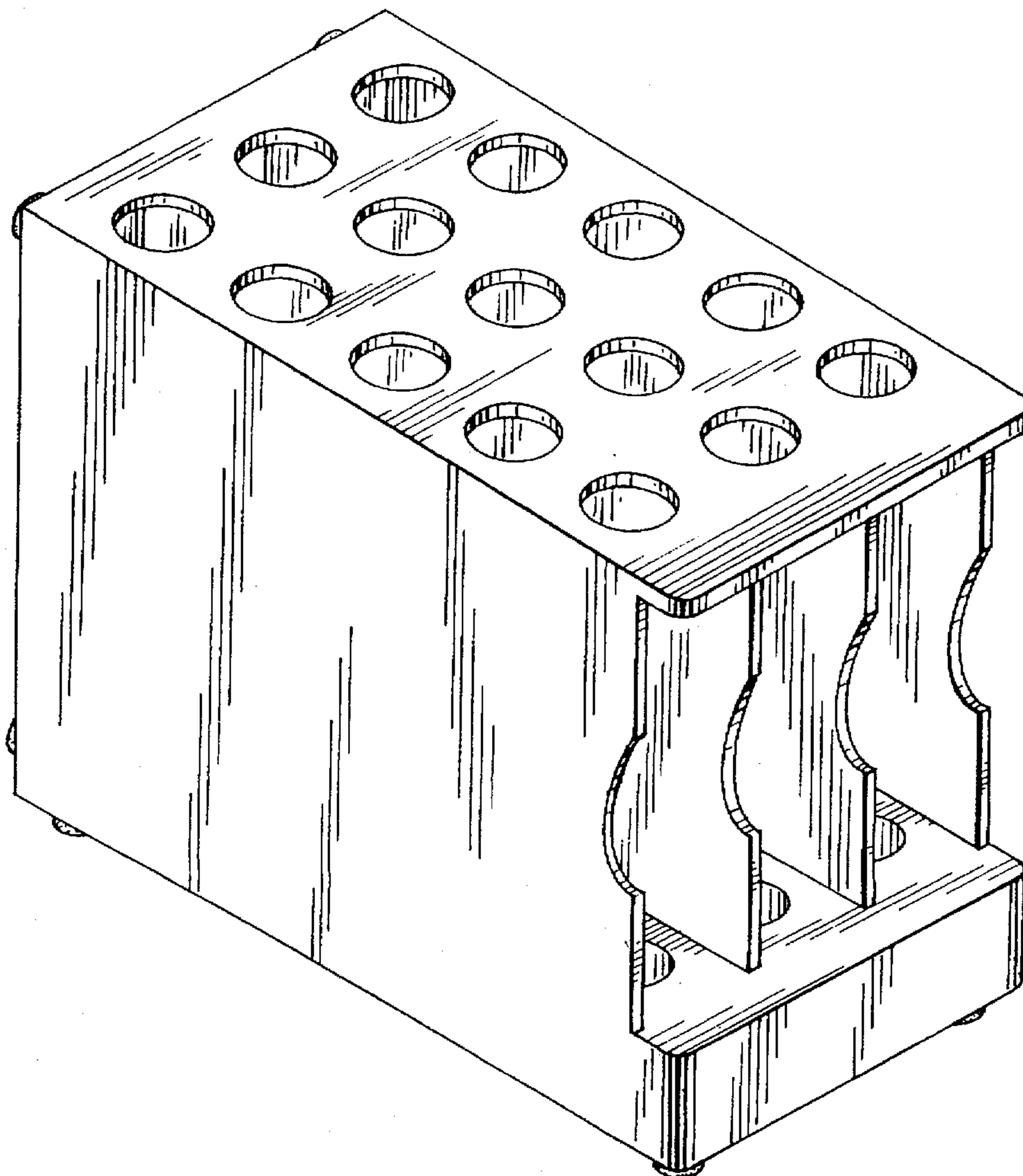
[57] **CLAIM**

The ornamental design for a solution pen holder, as shown and described.

DESCRIPTION

FIG. 1 is a perspective view of the solution pen holder showing the new design;
FIG. 2 is a top view thereof;
FIG. 3 is a front side view thereof;
FIG. 4 is a side view thereof;
FIG. 5 is a rear view thereof; and,
FIG. 6 is a bottom view thereof.

1 Claim, 3 Drawing Sheets



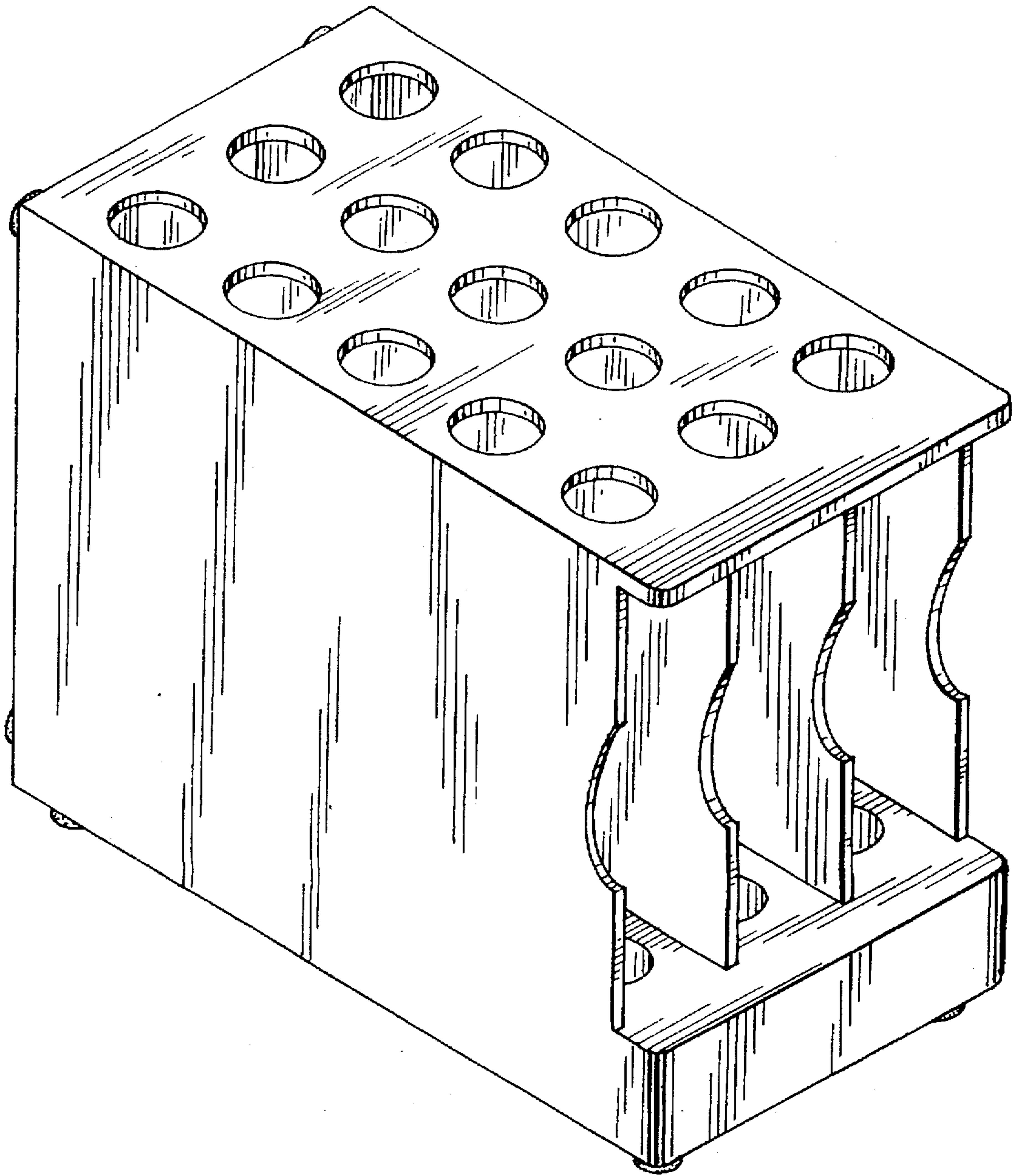


FIG. 1

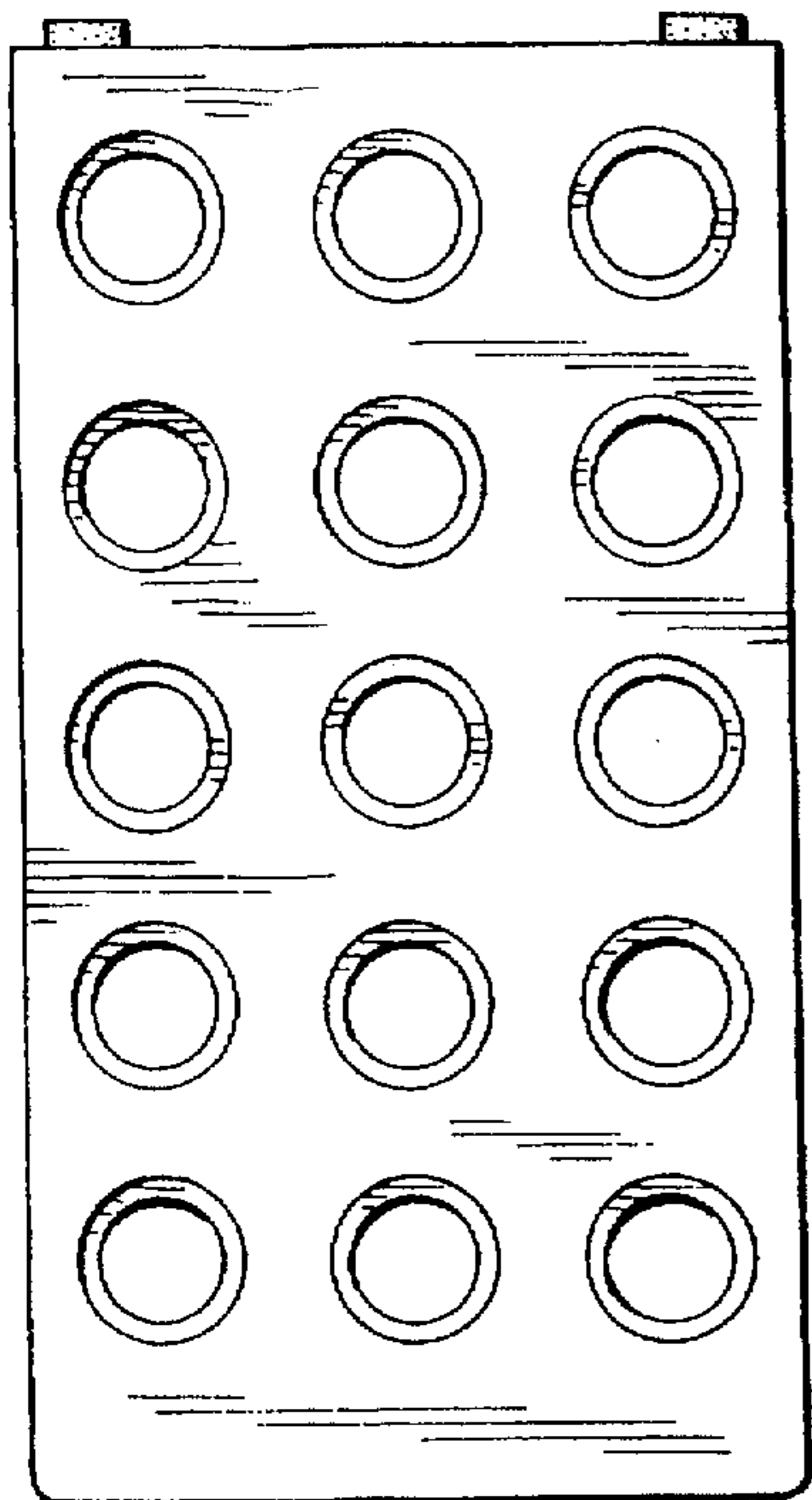


FIG. 2

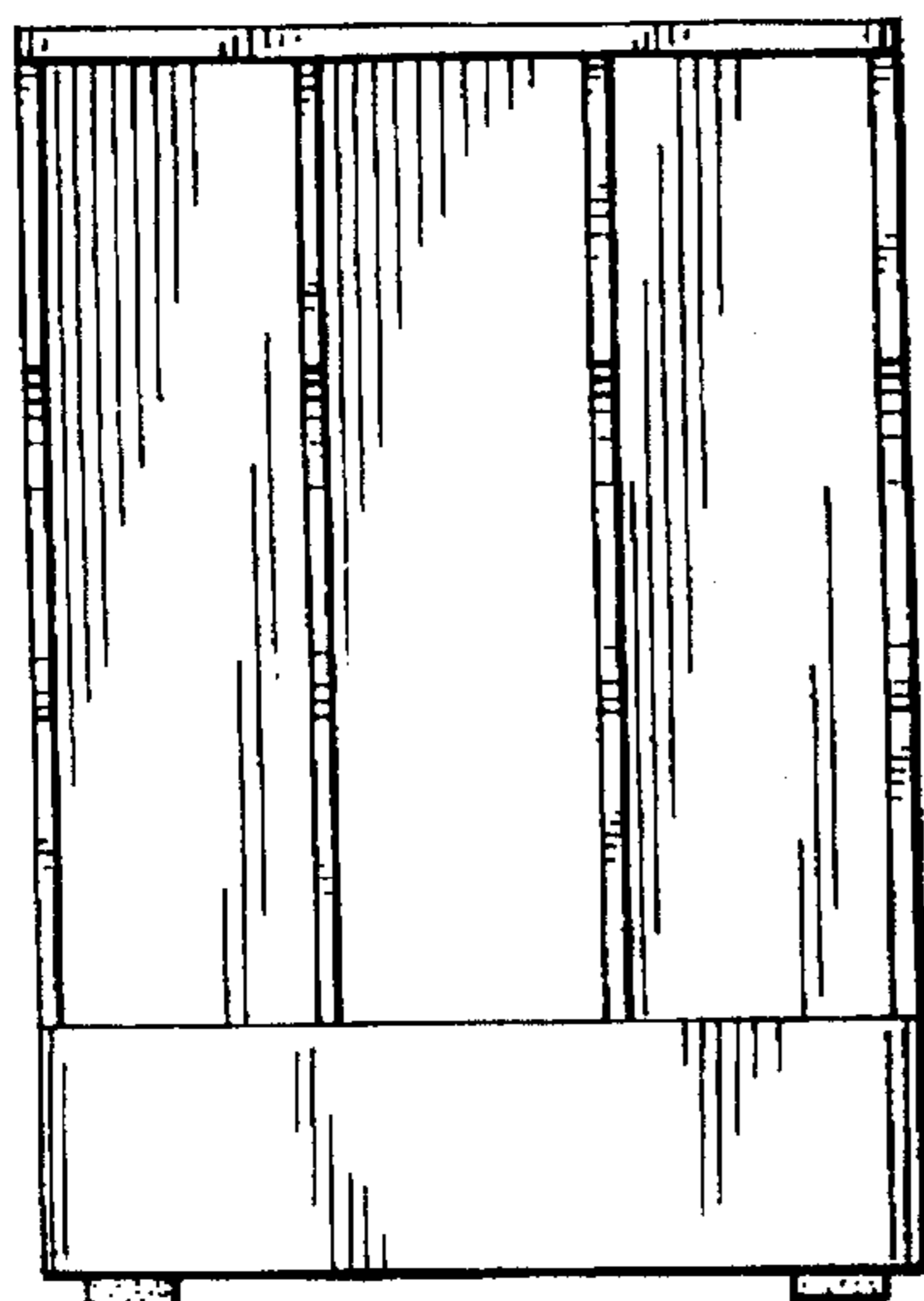


FIG. 3

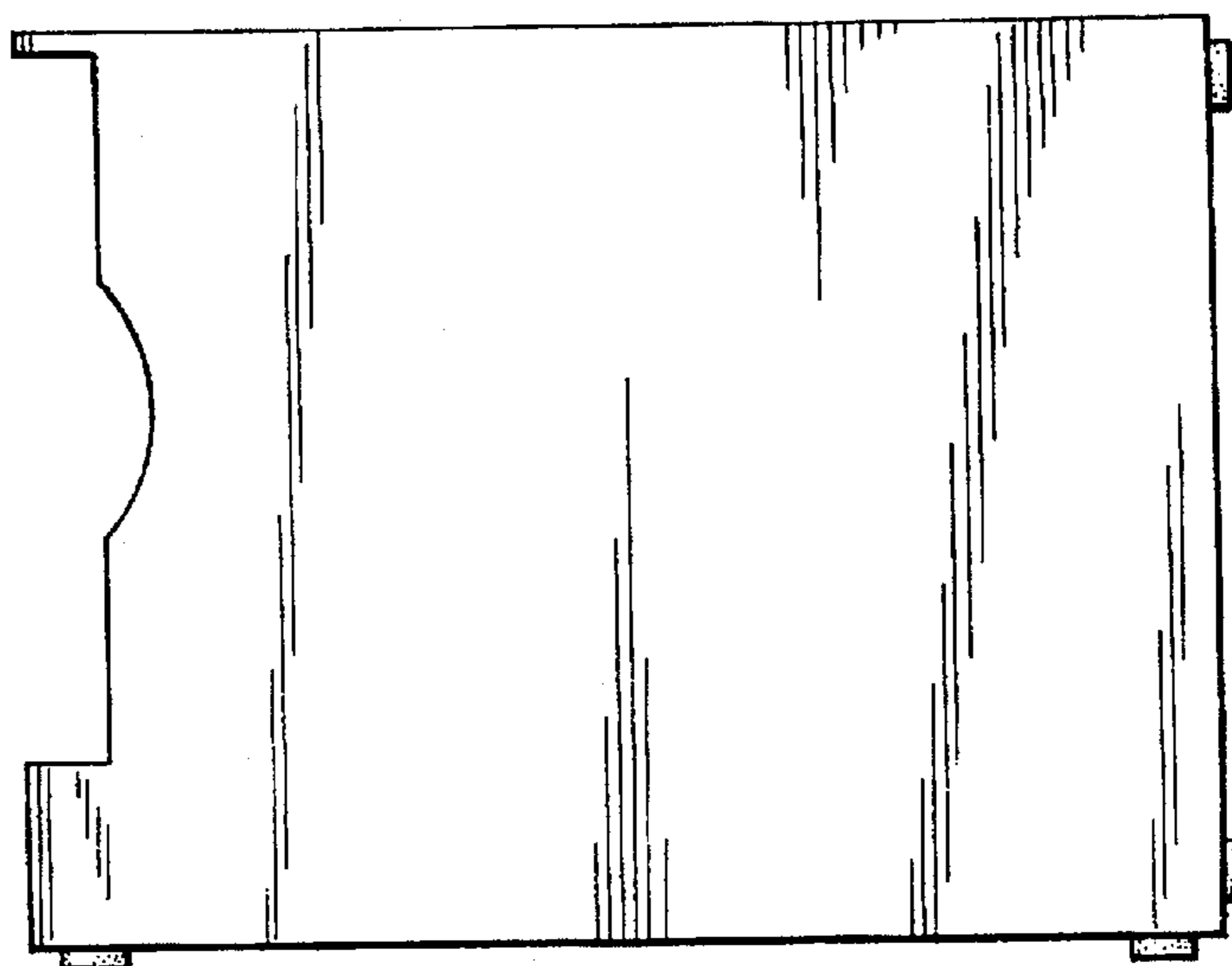


FIG. 4

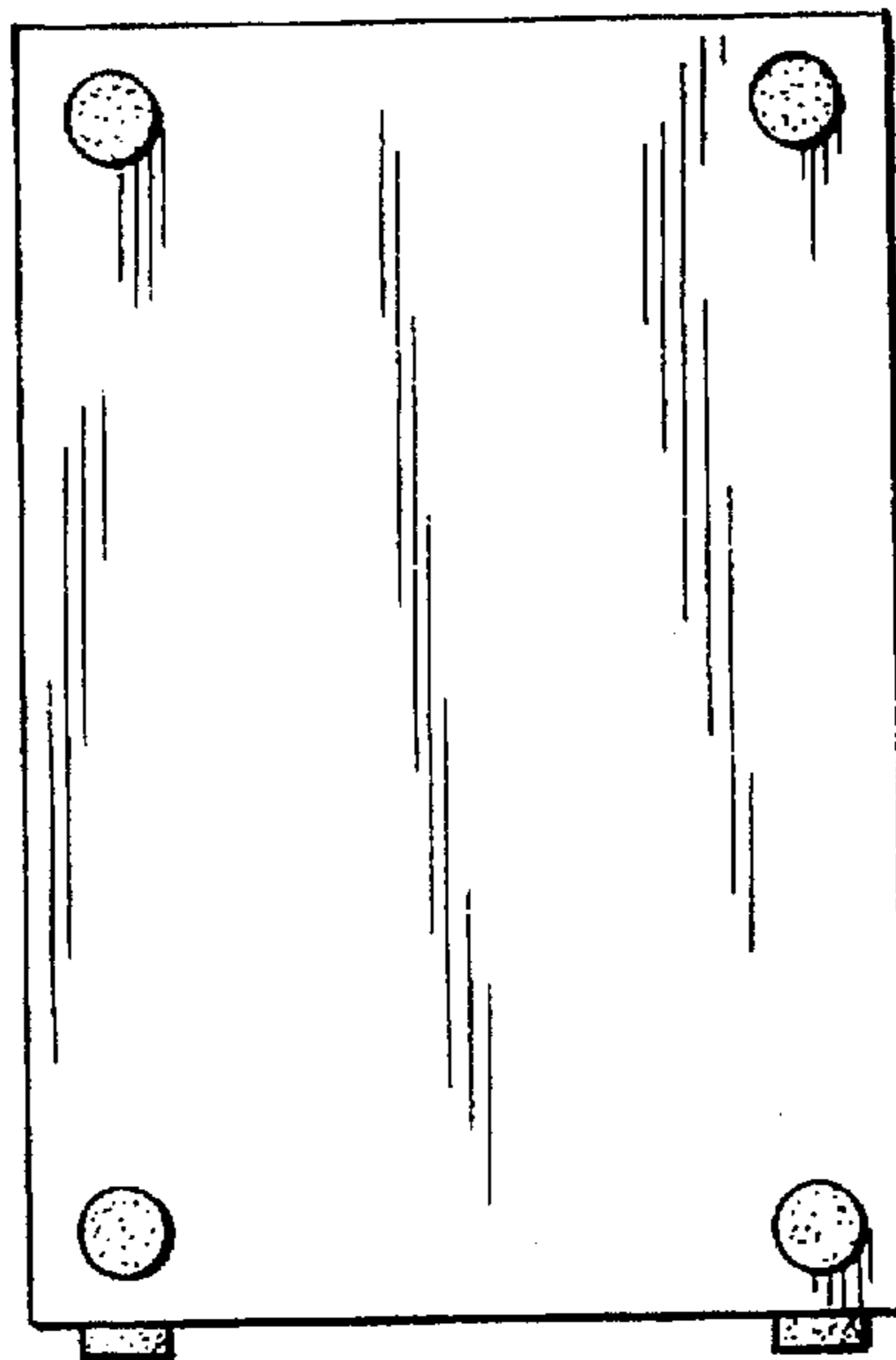


FIG. 5

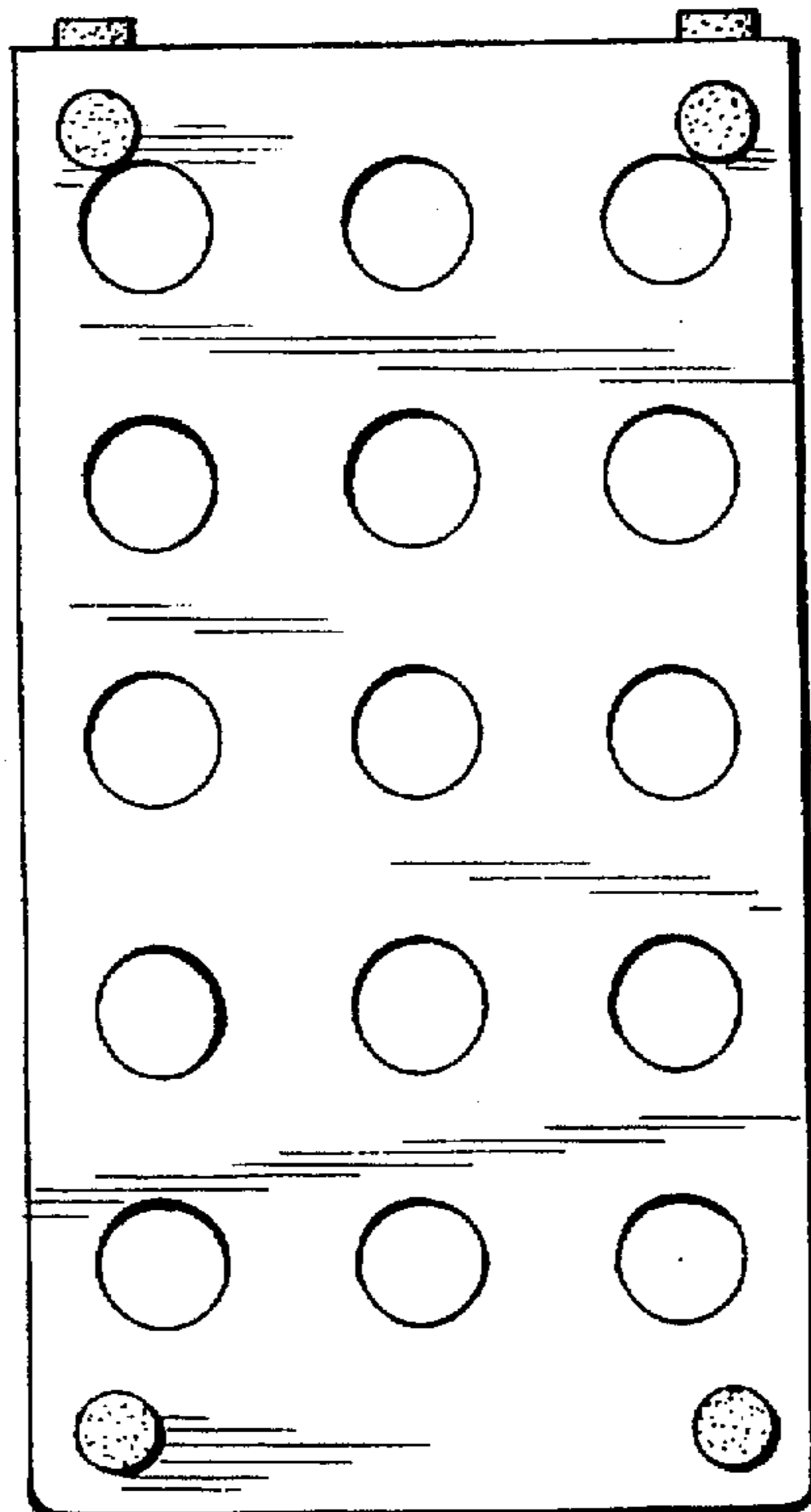


FIG. 6