



US00D408052S

# United States Patent [19] Hayashi

[11] Patent Number: Des. 408,052

[45] Date of Patent: \*\*Apr. 13, 1999

[54] STAMP RECEIVER

3,020,838 2/1962 Prost ..... 101/333

[75] Inventor: Shiro Hayashi, Nagoya, Japan

Primary Examiner—Louis S. Zarfes

Assistant Examiner—G. Andoll

[73] Assignee: Shachihata Inc., Aichi-ken, Japan

Attorney, Agent, or Firm—Evenson, McKeown, Edwards & Lenahan, PLLC

[\*\*] Term: 14 Years

### [57] CLAIM

[21] Appl. No.: 29/089,385

The ornamental design for a stamp receiver, as shown.

[22] Filed: Jun. 15, 1998

### DESCRIPTION

### [30] Foreign Application Priority Data

Dec. 22, 1997 [JP] Japan ..... 9-79320

FIG. 1 is a right front perspective view of a stamp receiver taken from above;

[51] LOC (6) Cl. .... 19-02

FIG. 2 is a right front perspective view of the stamp receiver taken from under;

[52] U.S. Cl. .... D18/17; D19/70

FIG. 3 is a front view of the stamp receiver;

[58] Field of Search ..... D18/14-18; 118/264, 118/268; 101/103, 333, 334, 327, 405, 406, 371-373, 376; D19/70

FIG. 4 is a rear view of the stamp receiver;

FIG. 5 is a right side view of the stamp receiver and left side view of the stamp receiver is a mirror image thereof;

### [56] References Cited

#### U.S. PATENT DOCUMENTS

- D. 192,459 3/1962 Pajek ..... D19/70
- D. 219,842 2/1971 Miller ..... D18/15
- D. 232,001 7/1974 Funahashi ..... D18/15
- D. 348,898 7/1994 Nagasawa ..... D18/15
- D. 366,894 2/1996 Vesey ..... D18/17
- 650,654 5/1900 Poulton ..... 118/264

FIG. 6 is a top plan view of the stamp receiver;

FIG. 7 is a bottom view of the stamp receiver; and,

FIG. 8 is a perspective view of the stamp receiver in which a stamp is received.

The broken line showing of the stamp in FIG. 8 is for illustrative purposes only and forms no part of the claimed design.

1 Claim, 4 Drawing Sheets

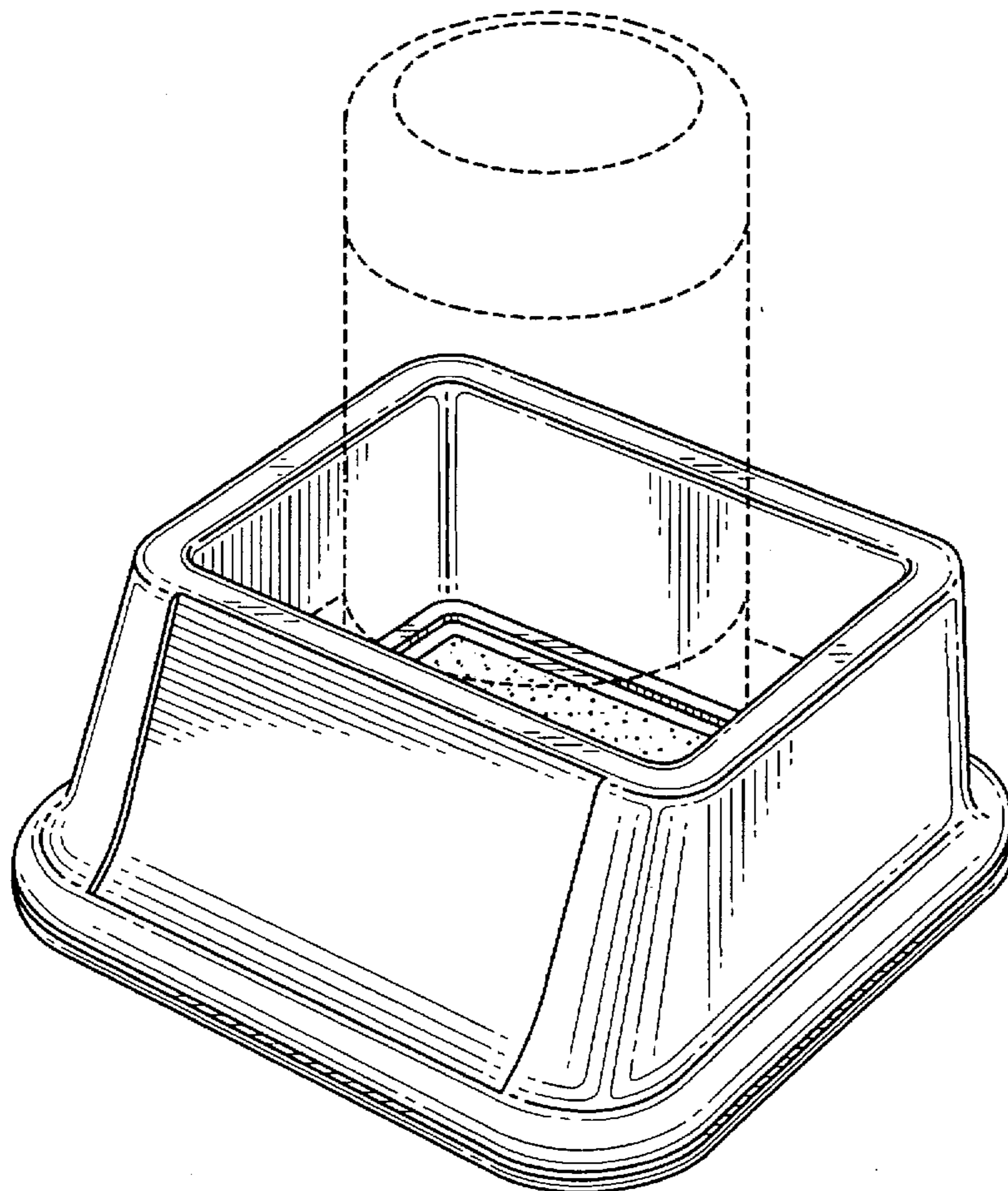


FIG. 1

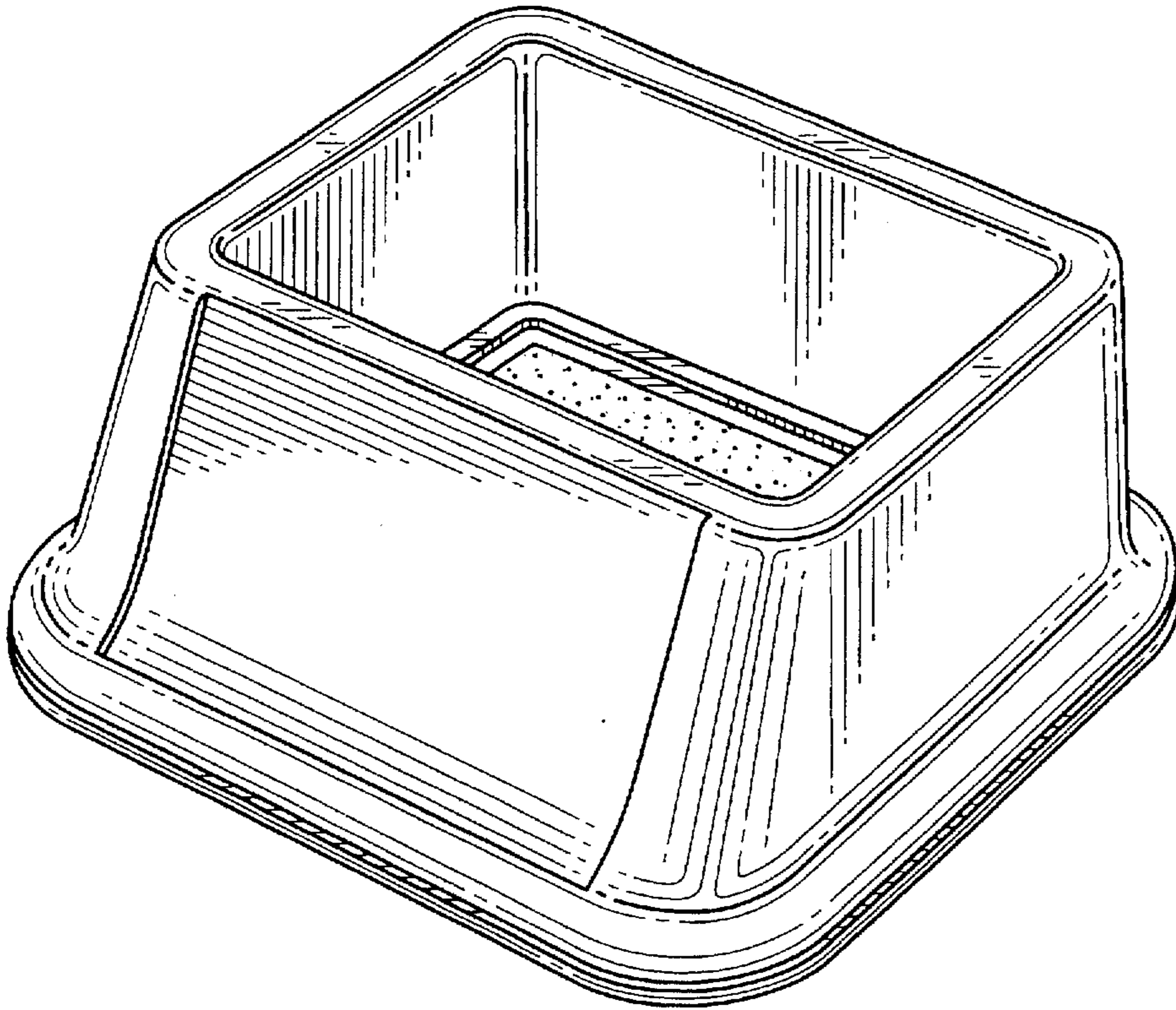


FIG. 2

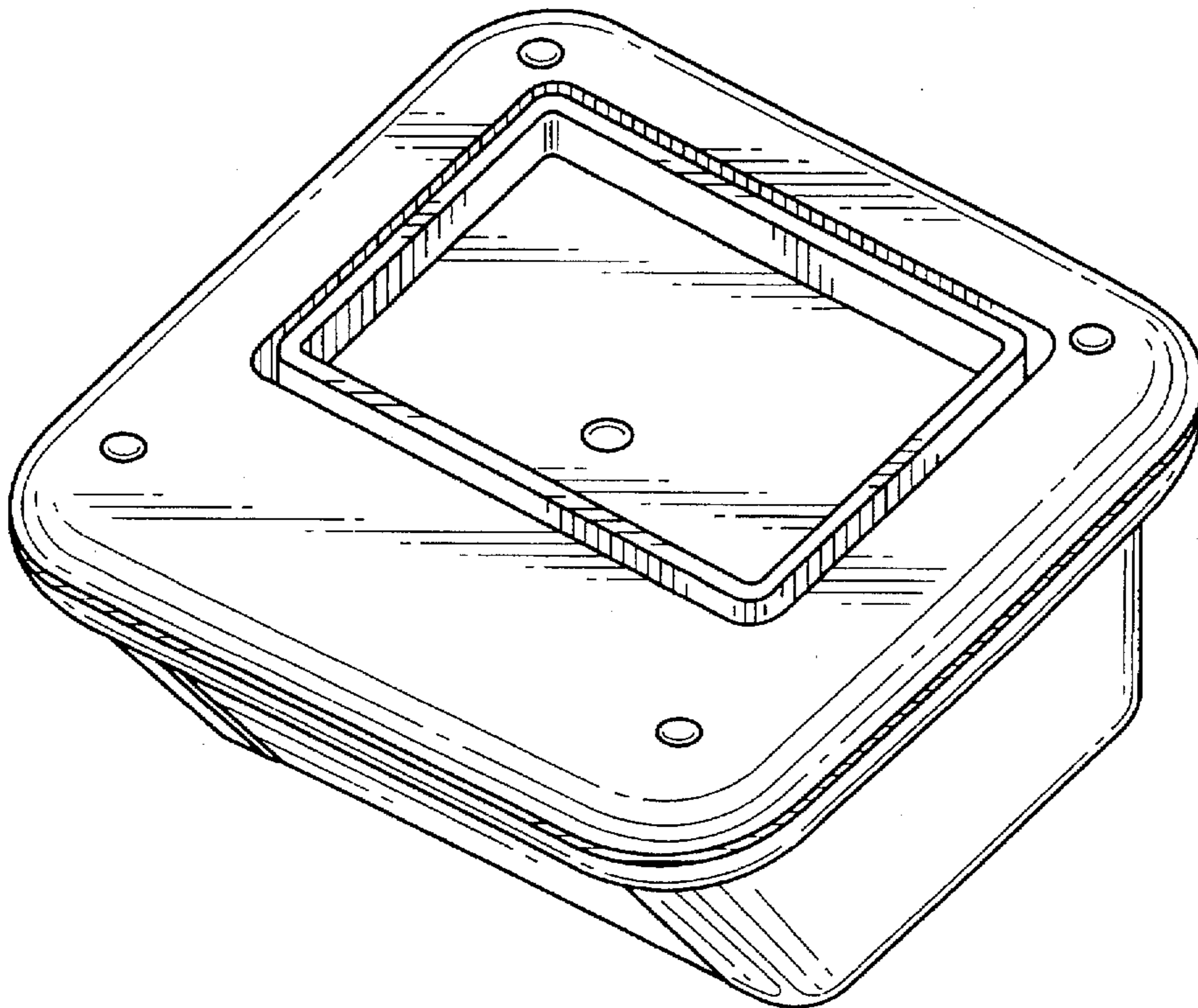


FIG. 3

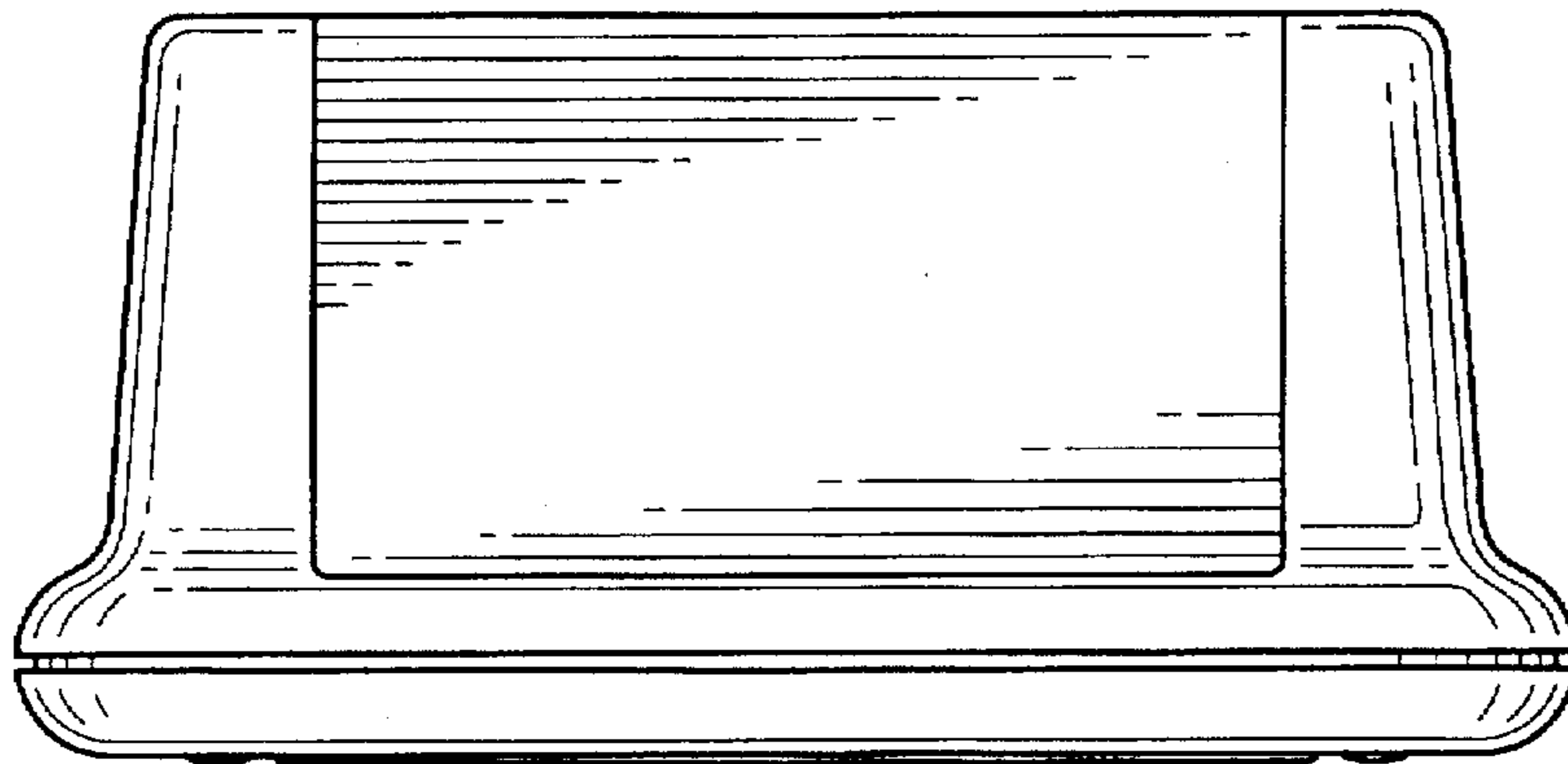


FIG. 4

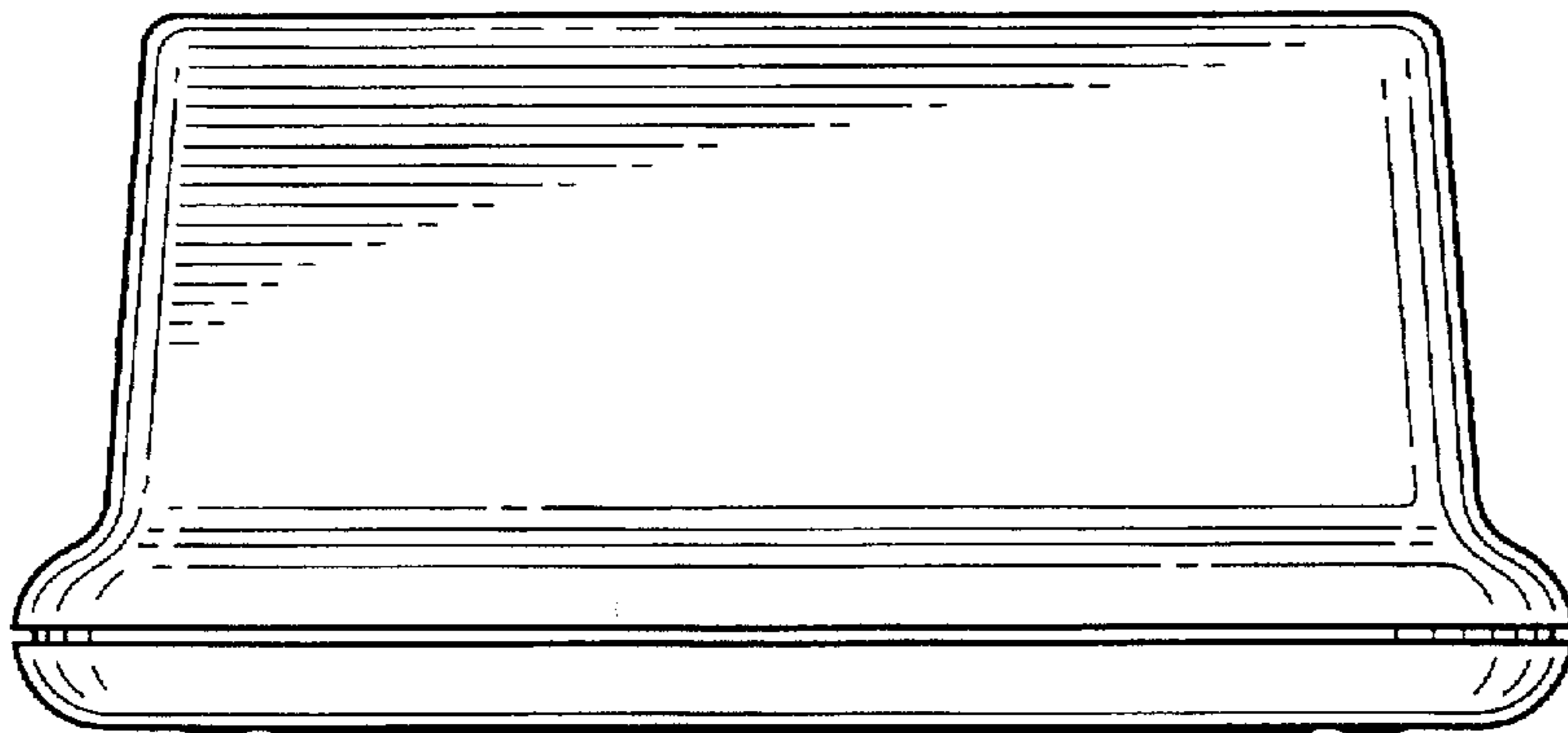


FIG. 5

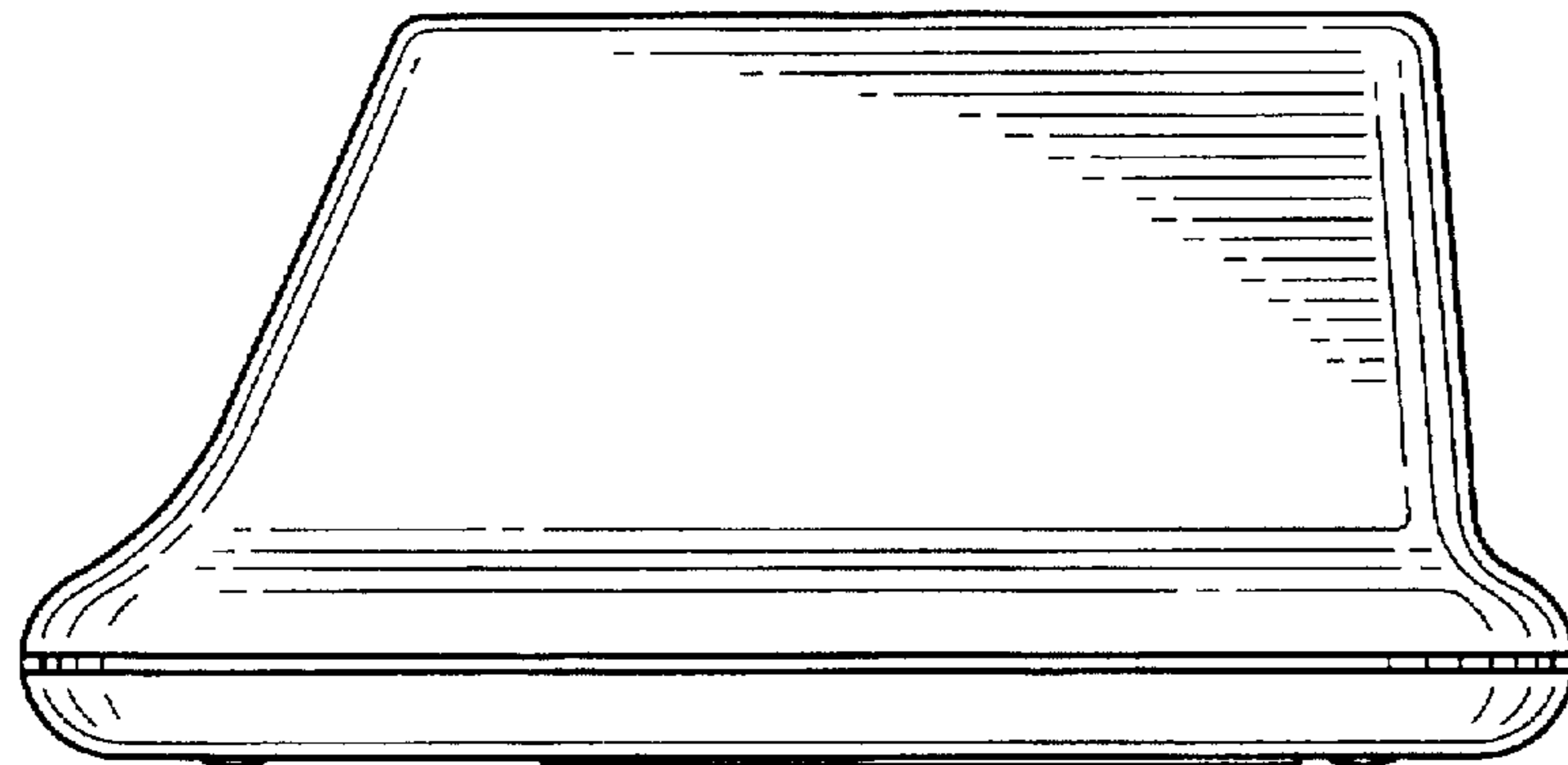




FIG. 6

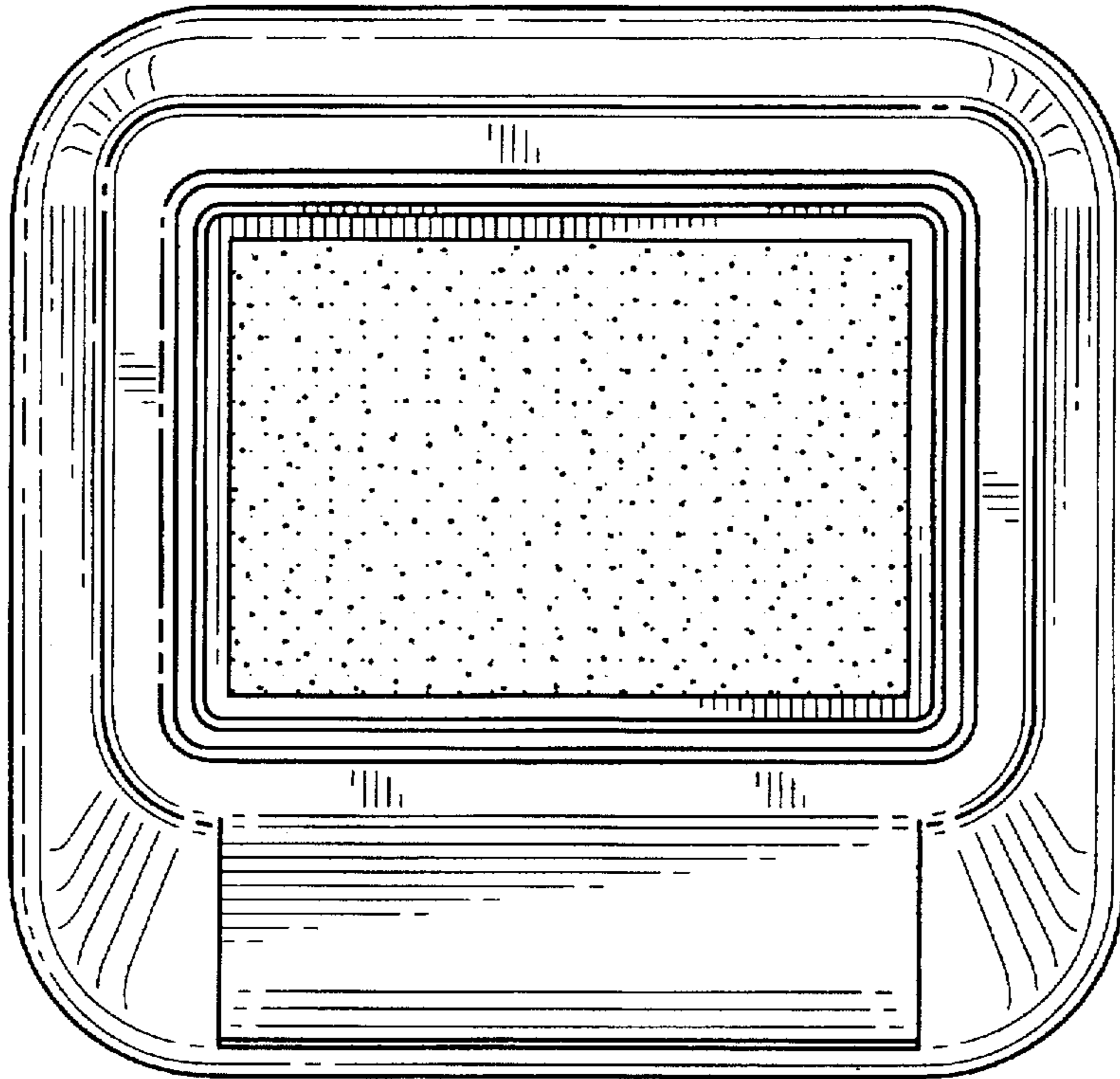


FIG. 7

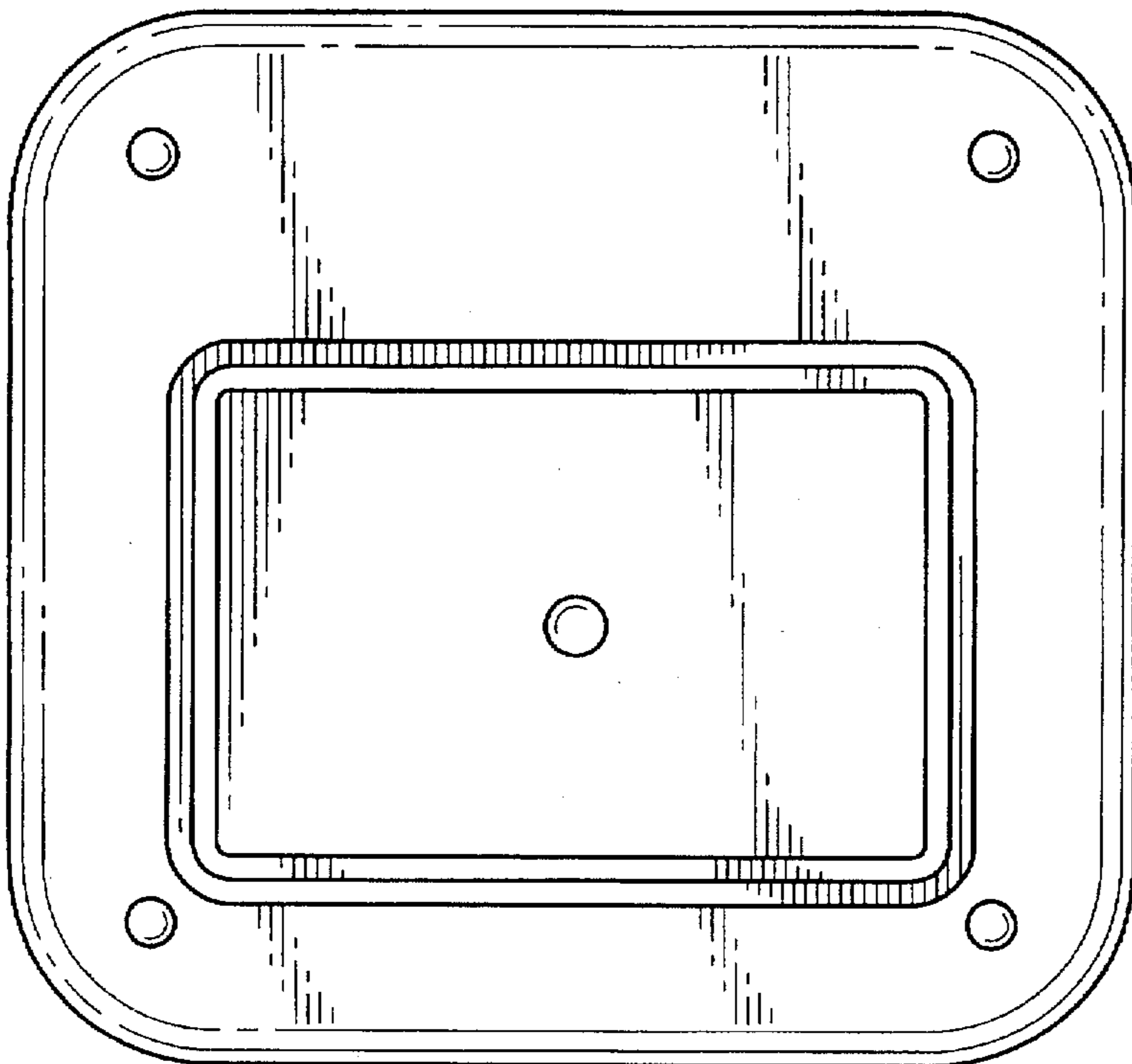


FIG. 8

