



US00D408044S

United States Patent [19]

Tanaka et al.

[11] Patent Number: Des. 408,044

[45] Date of Patent: **Apr. 13, 1999

[54] VIDEO STILL CAMERA

[75] Inventors: **Kunihiko Tanaka; Yutaka Senda**, both of Tokyo, Japan

[73] Assignee: **Fuji Photo Film Co., Ltd.**, Kanagawa, Japan

[**] Term: **14 Years**

[21] Appl. No.: **29/089,543**

[22] Filed: **Jun. 17, 1998**

[30] Foreign Application Priority Data

Dec. 19, 1997 [JP] Japan 9-79154

[51] LOC (6) Cl. **16-01**

[52] U.S. Cl. **D16/202; D16/218**

[58] Field of Search D16/200-208, D16/209, 216, 217, 218; 348/373-376; 358/906, 909.1; 396/155, 176, 535-543

[56] References Cited

U.S. PATENT DOCUMENTS

D. 244,686 6/1977 Hansen D16/218
D. 369,819 5/1996 Mori D16/202
D. 384,964 10/1997 Ito et al. D16/202

D. 396,051 7/1998 Mori D16/202
3,001,461 9/1961 Irwin 396/176

OTHER PUBLICATIONS

Sony Catalog No. 87 p. 209 (Cybershot and Digital Mavica), Nov. 1997.

Primary Examiner—Philip S. Hyder
Assistant Examiner—Adir Aronovich
Attorney, Agent, or Firm—Young & Thompson

[57] CLAIM

The ornamental design for a video still camera, as shown.

DESCRIPTION

FIG. 1 is a top, front and side perspective view of a video still camera showing our new design;
FIG. 2 is a front elevational view thereof;
FIG. 3 is a rear elevational view thereof;
FIG. 4 is a top plan view thereof;
FIG. 5 is a bottom plan view thereof;
FIG. 6 is a side elevational view thereof from the left of FIG. 2; and,
FIG. 7 is a side elevational view thereof from the right of FIG. 2.

1 Claim, 5 Drawing Sheets

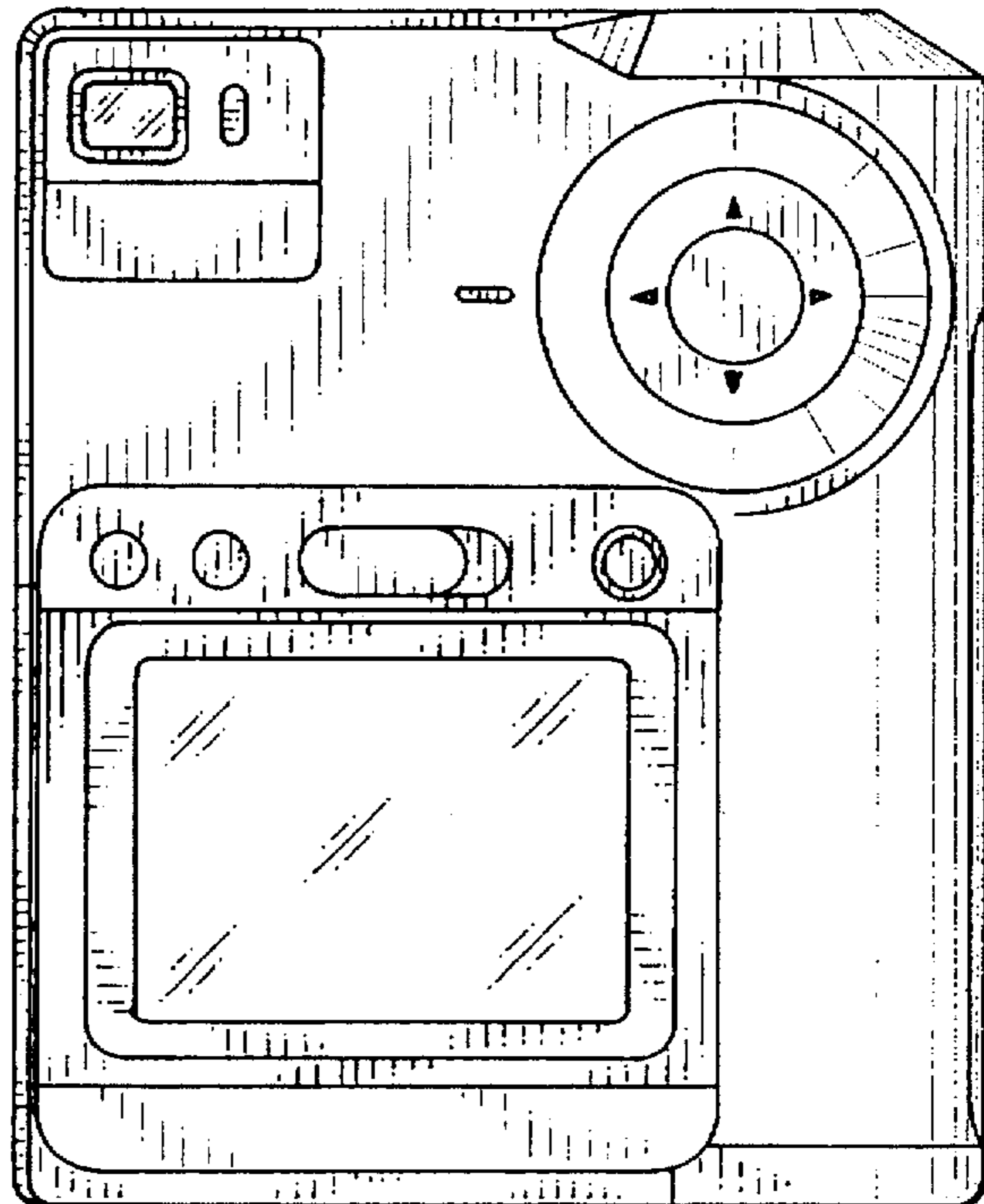
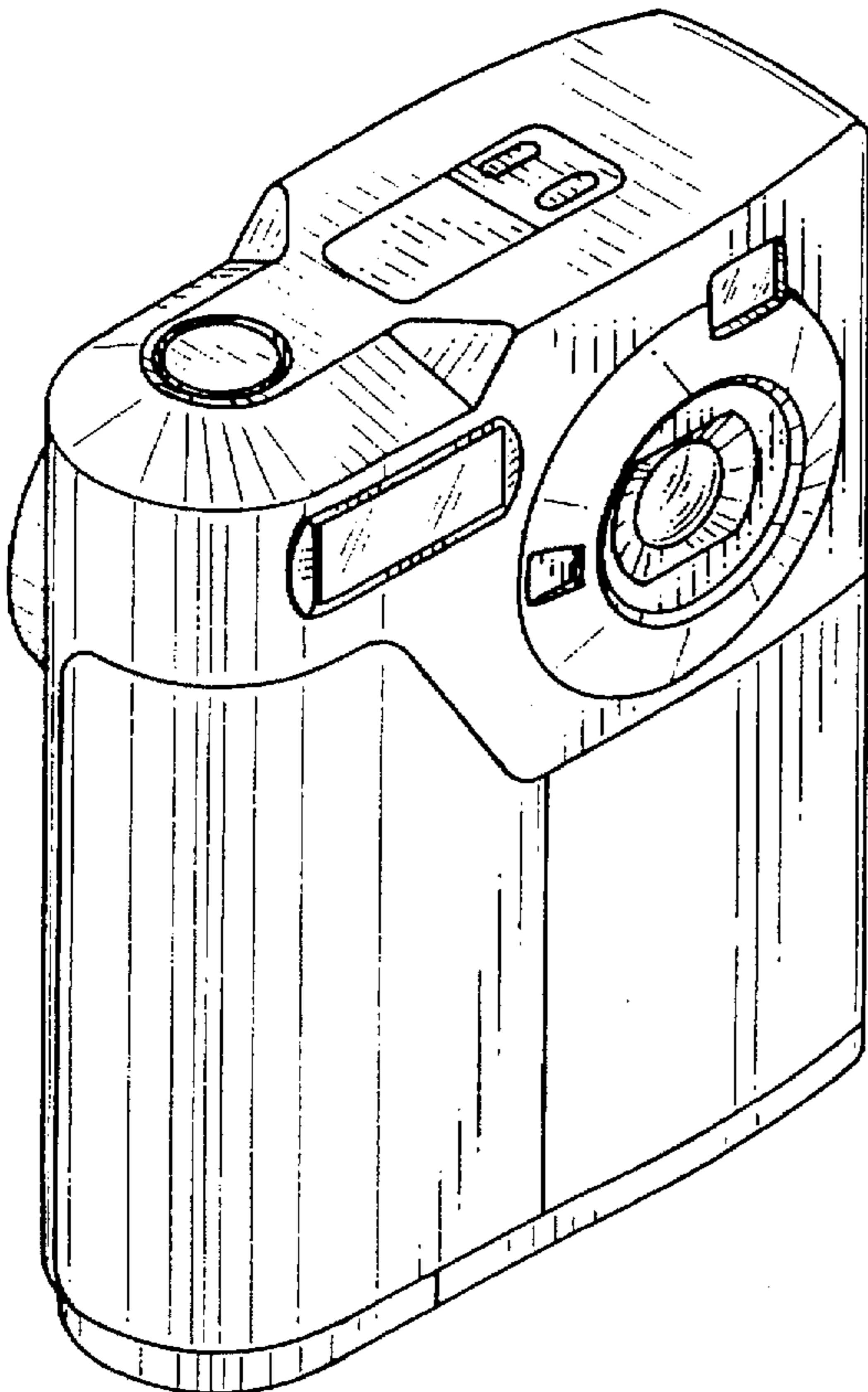


FIG. 1

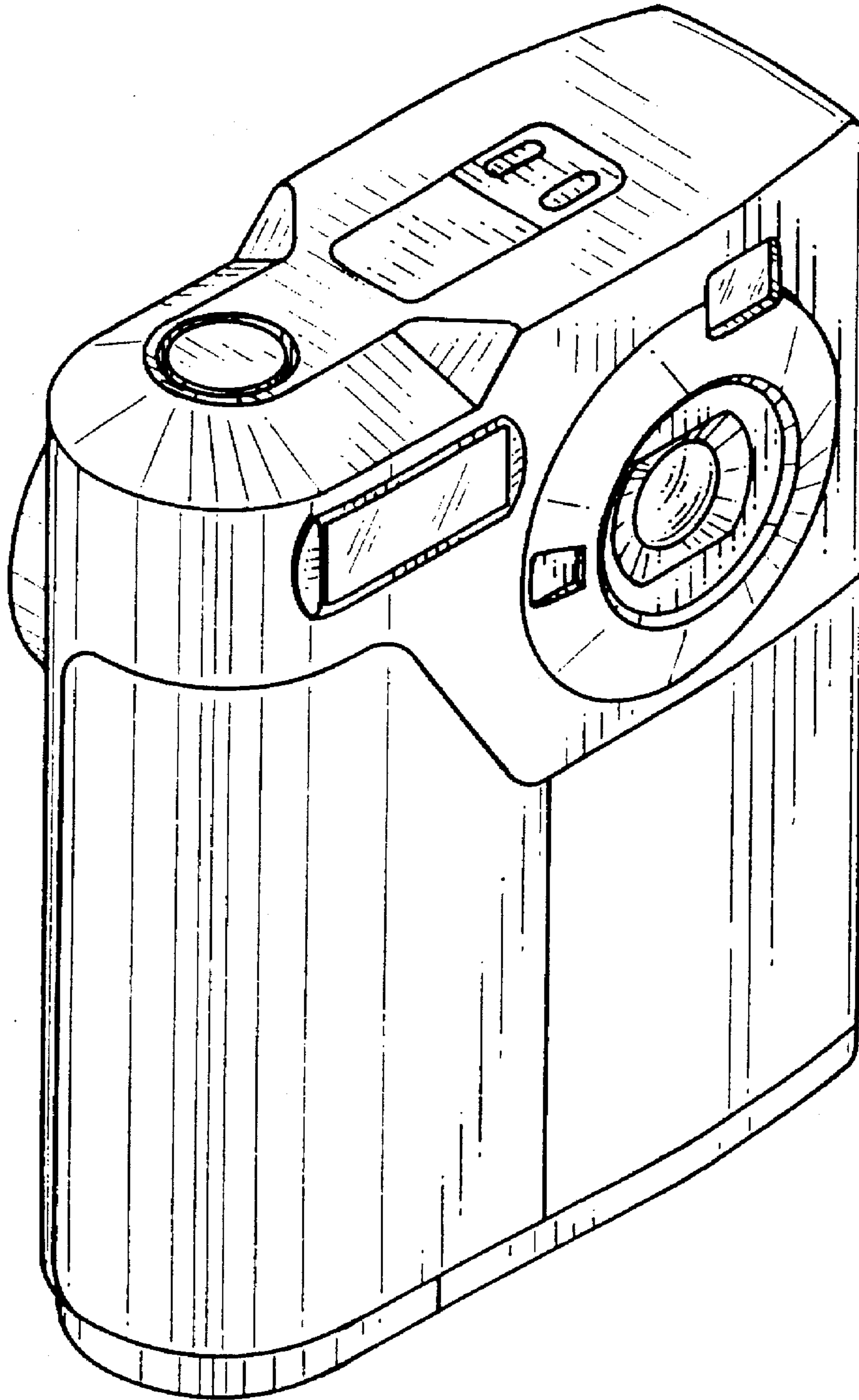


FIG. 2

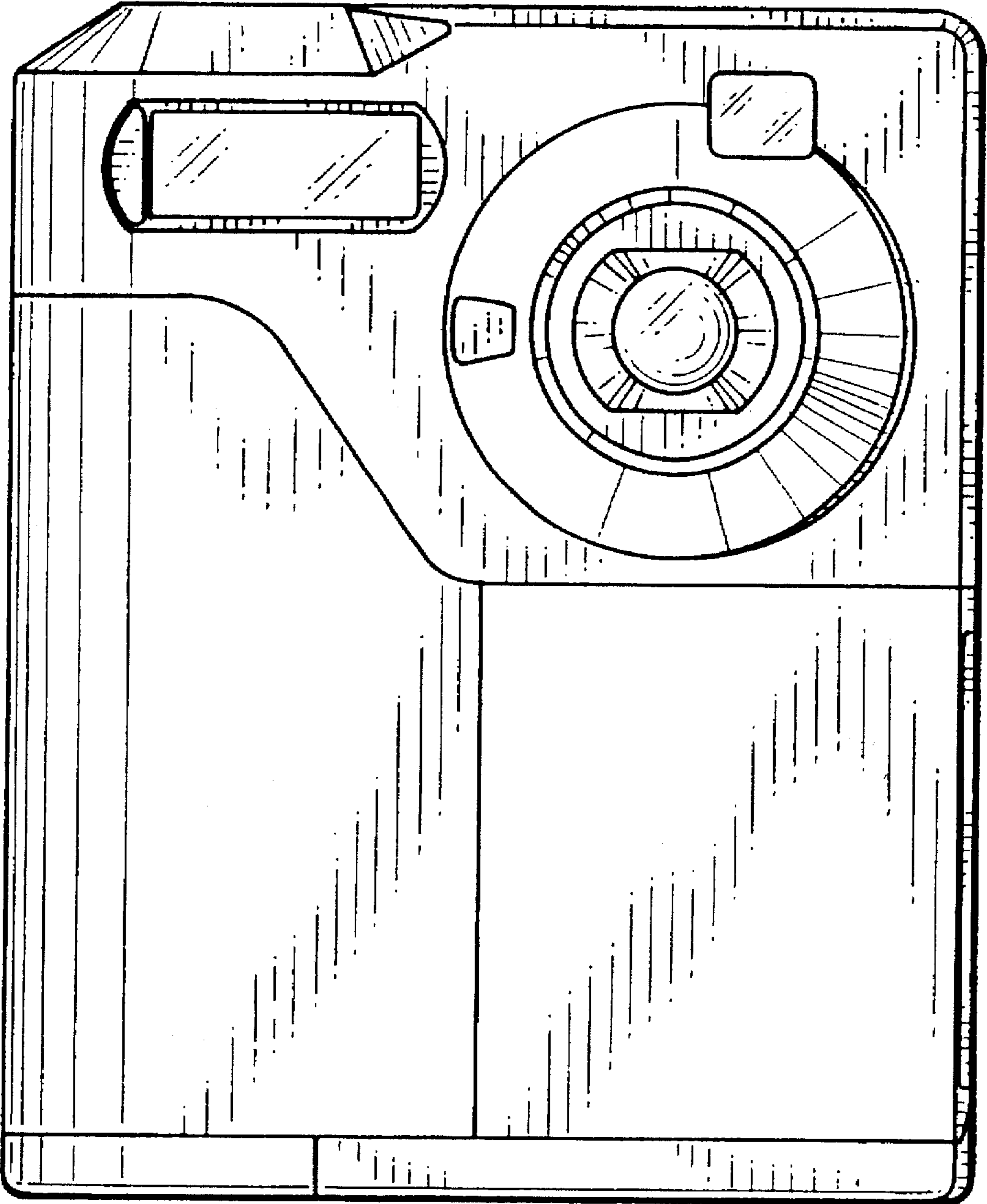


FIG. 3

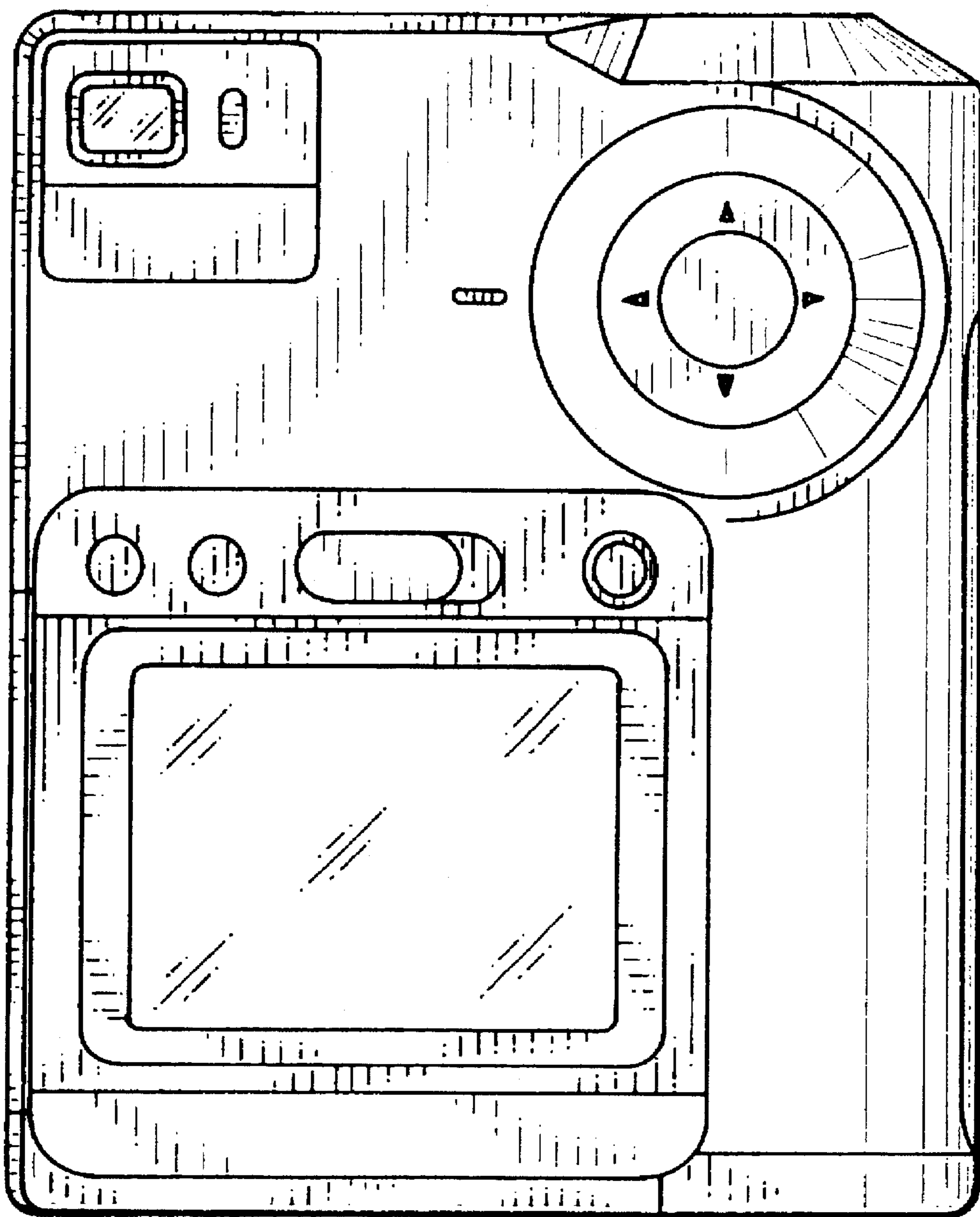


FIG. 4

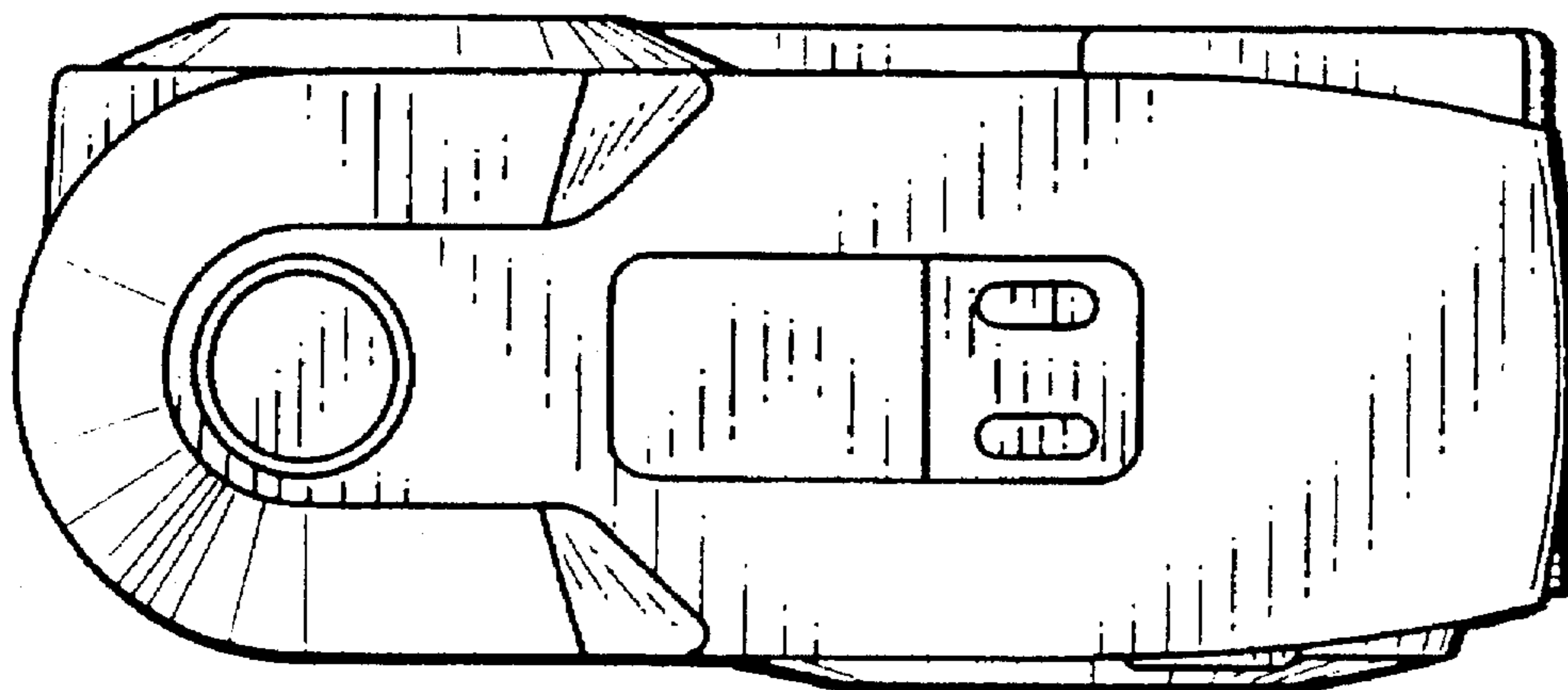


FIG. 5

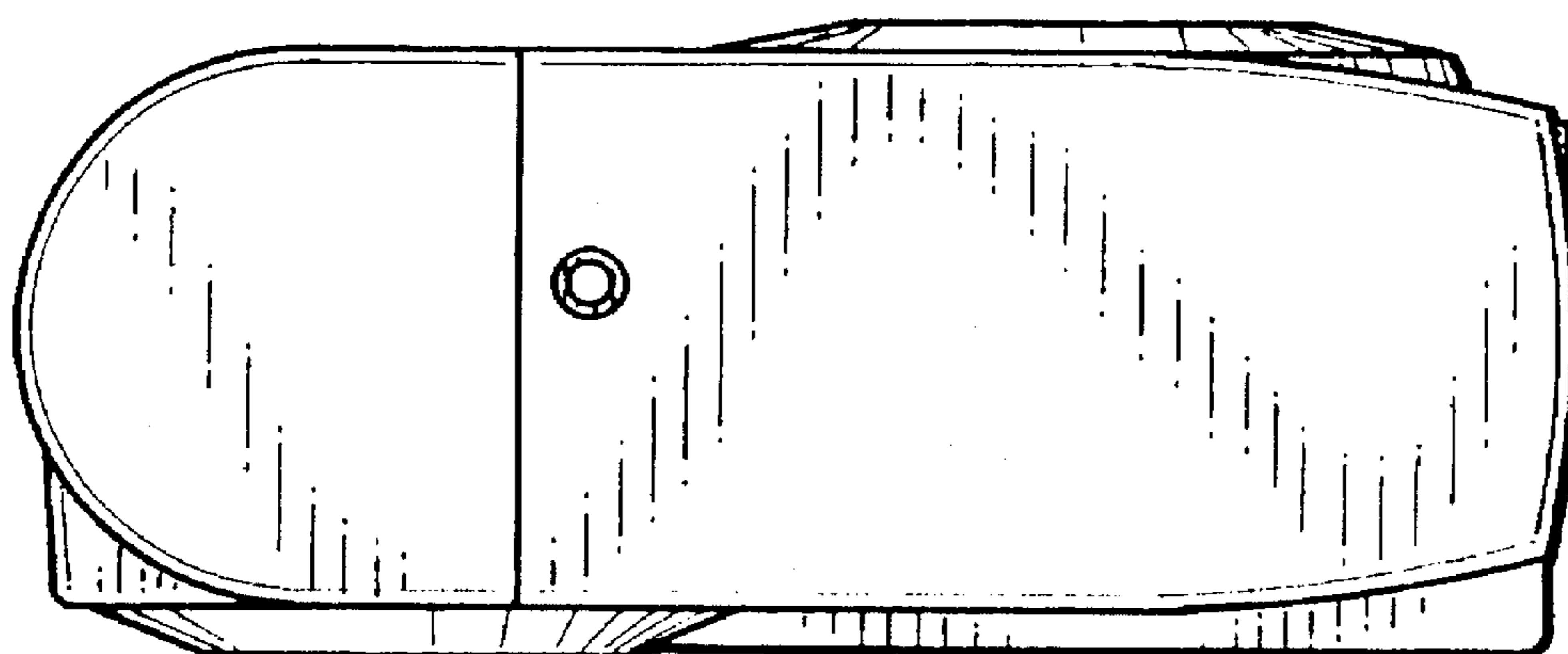


FIG. 6

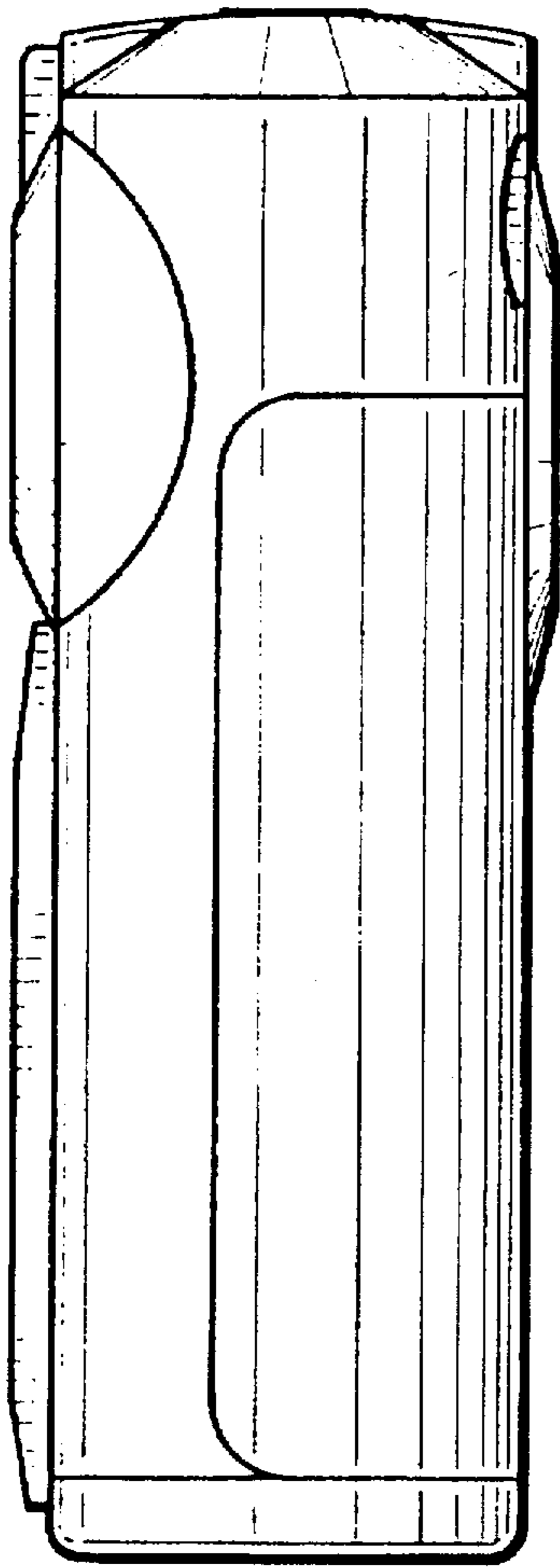


FIG. 7

