



US00D408043S

United States Patent [19]

Goto et al.

[11] Patent Number: **Des. 408,043**

[45] Date of Patent: ****Apr. 13, 1999**

[54] **COMBINED VIDEO CAMERA WITH VIDEO TAPE RECORDER**

D. 367,072 2/1996 Goto D16/202
5,132,800 7/1992 Wada et al. 348/375

[75] Inventors: **Masaaki Goto; Akira Onoda; Shigetada Ninomiya**, all of Ehime, Japan

[73] Assignee: **Matsushita Electric Industrial Co., Ltd.**, Japan

[**] Term: **14 Years**

[21] Appl. No.: **29/086,299**

[22] Filed: **Apr. 9, 1998**

[30] **Foreign Application Priority Data**

Oct. 14, 1997 [JP] Japan 9-71497

[51] **LOC (6) Cl.** **16-01**

[52] **U.S. Cl.** **D16/202**

[58] **Field of Search** D16/200-208;
348/373-376; 352/242, 243; 358/906; 396/535-543

[56] **References Cited**

U.S. PATENT DOCUMENTS

D. 349,910 8/1994 Takano et al. D16/202
D. 356,100 3/1995 Mori et al. D16/202
D. 366,885 2/1996 Goto et al. D16/202

OTHER PUBLICATIONS

Panasonic Camcorder Model Nos. PV-D406 and PV-D506, Catalog page issued before Oct. 14, 1997.
Panasonic Catalog, Cover page (PV-IQ303 Camcorder), May 1994.

Primary Examiner—Ted Shooman
Assistant Examiner—Adir Aronovich
Attorney, Agent, or Firm—Saidman DesignLaw Group

[57] **CLAIM**

The ornamental design for a combined video camera with video tape recorder, as shown and described.

DESCRIPTION

FIG. 1 is a perspective view of the top, front and right side of a combined video camera with video tape recorder showing our new design;
FIG. 2 is a front view thereof;
FIG. 3 is a rear view thereof;
FIG. 4 is a top plan view thereof;
FIG. 5 is a bottom view thereof;
FIG. 6 is a right side view thereof; and,
FIG. 7 is a left side view thereof.

1 Claim, 3 Drawing Sheets

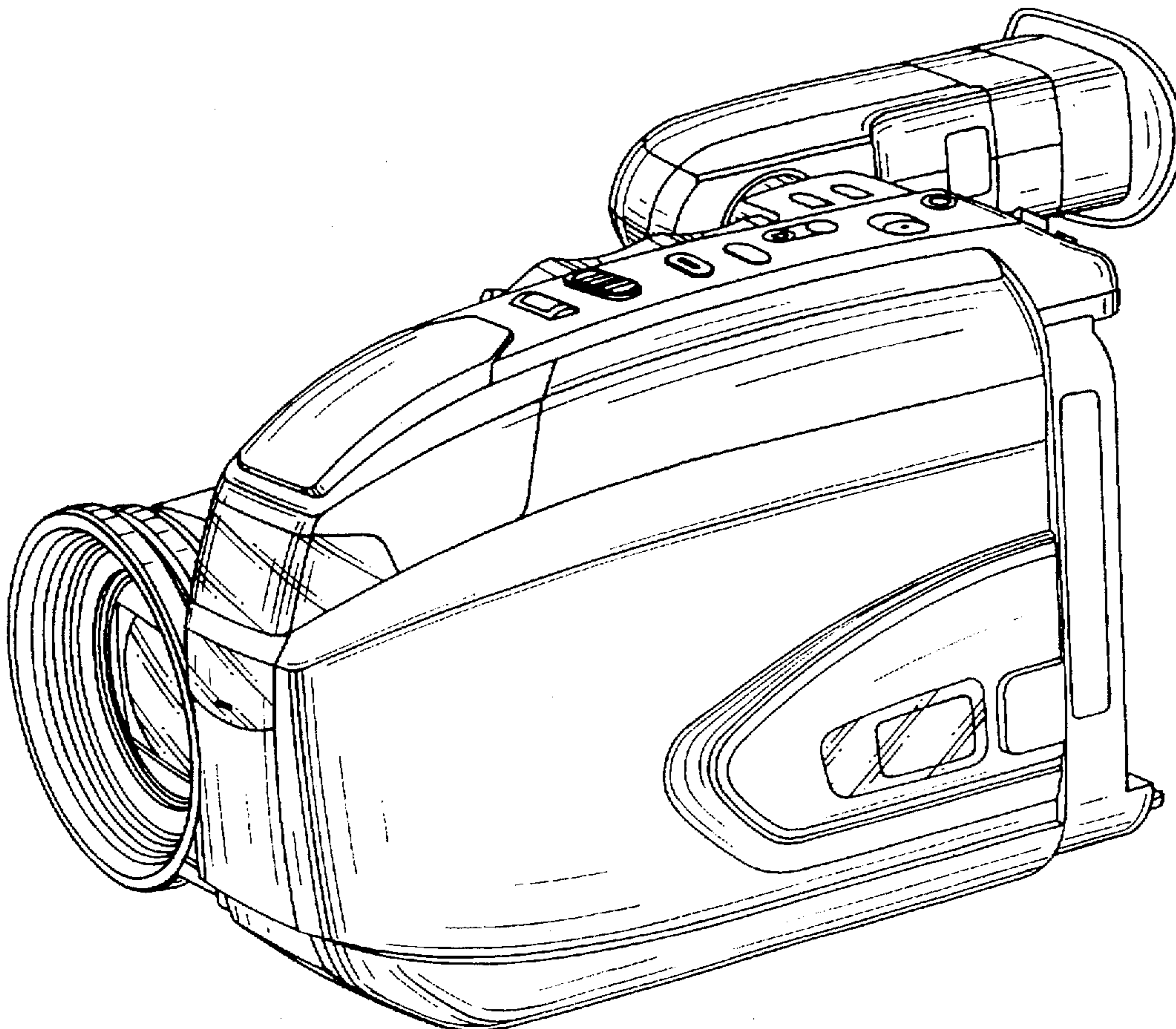


FIG. 1

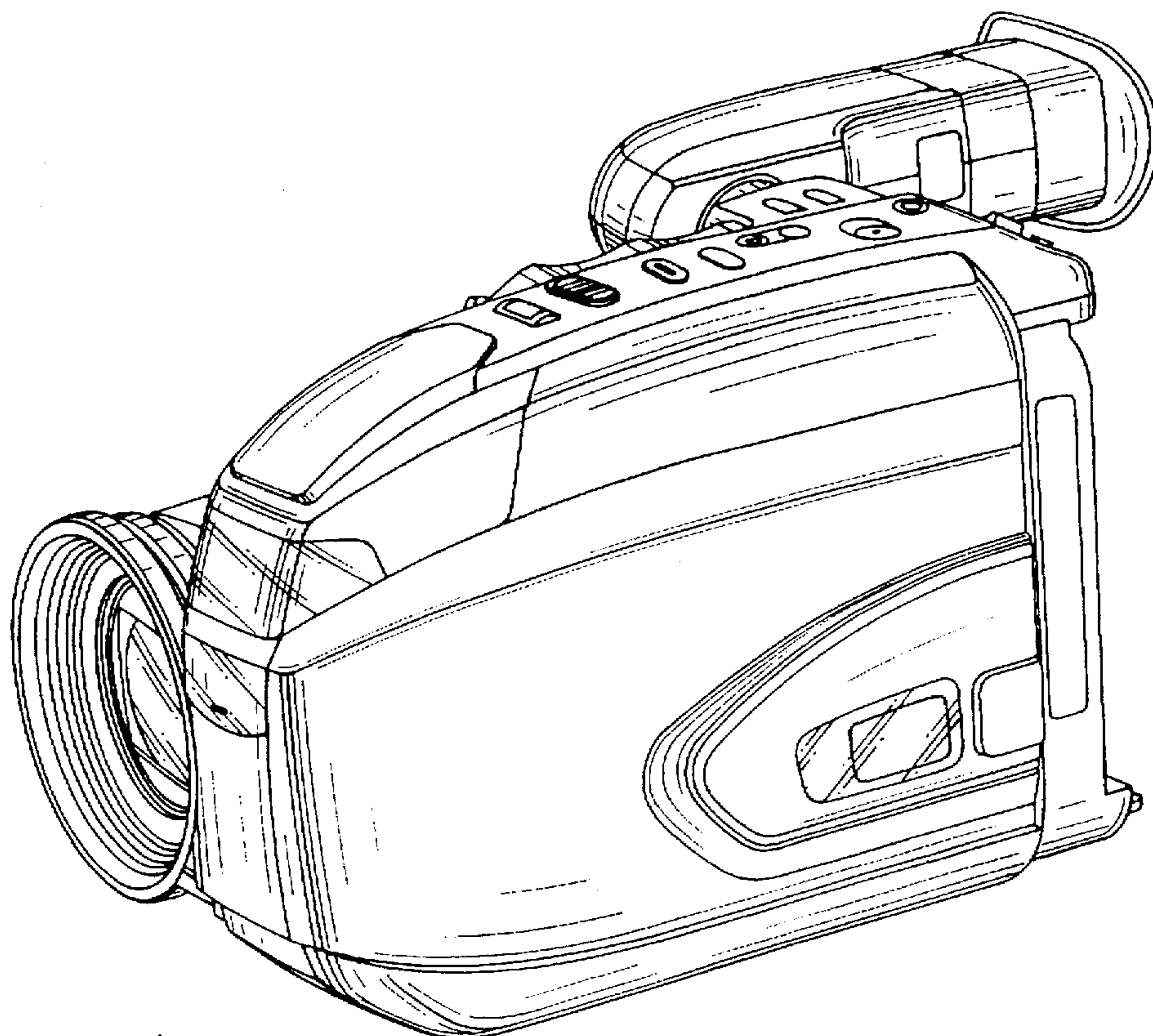


FIG. 2

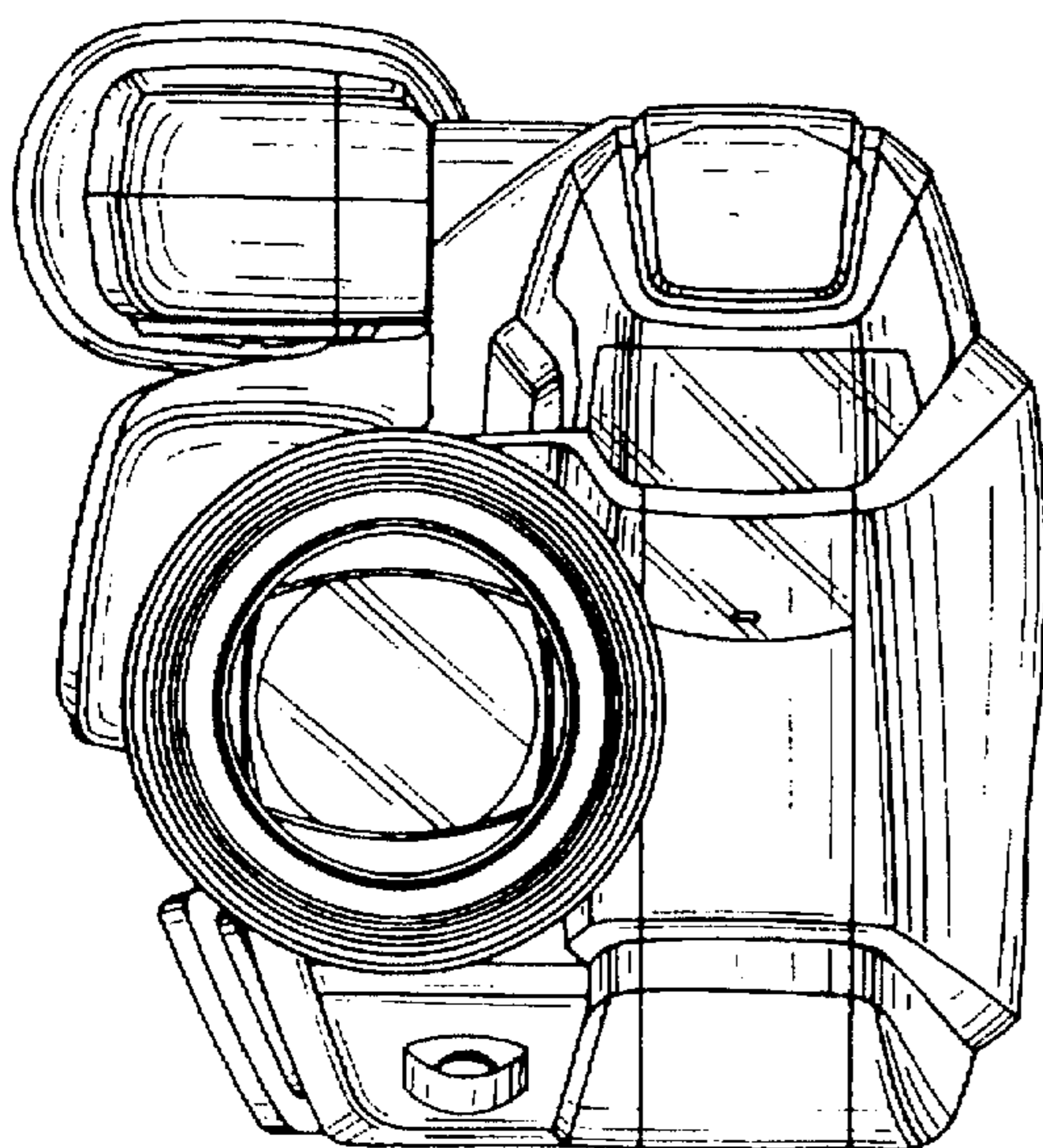


FIG. 3

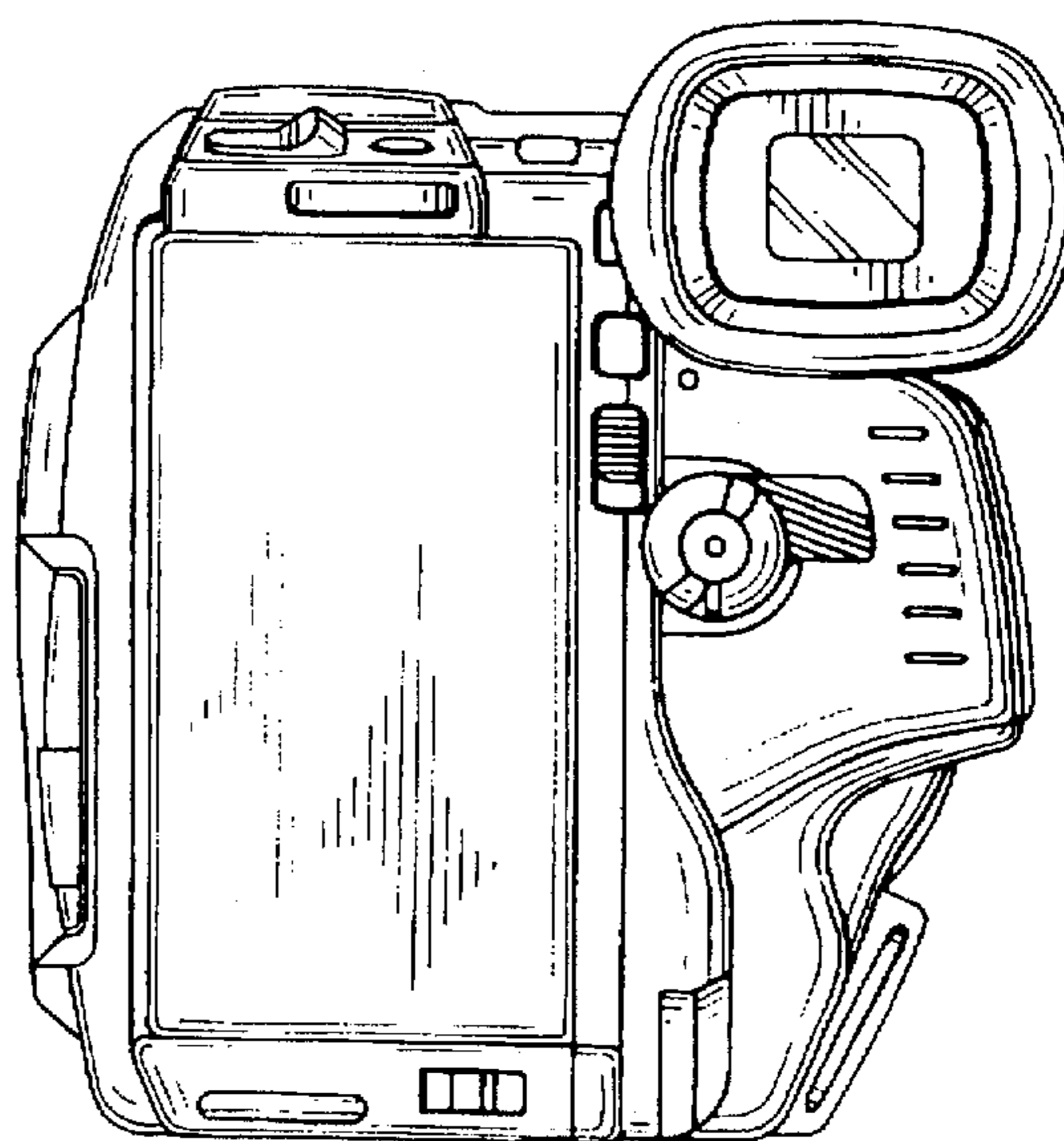


FIG. 4

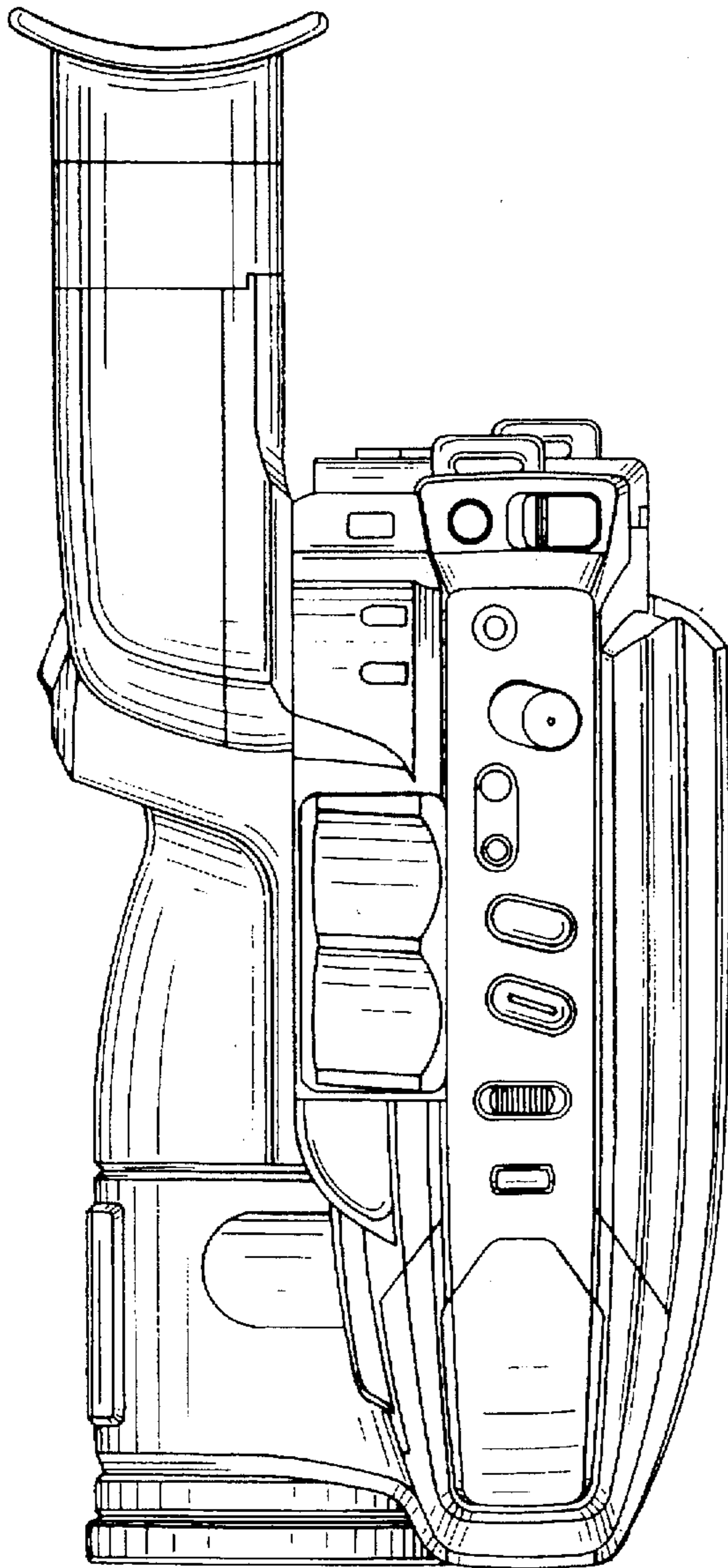


FIG. 5

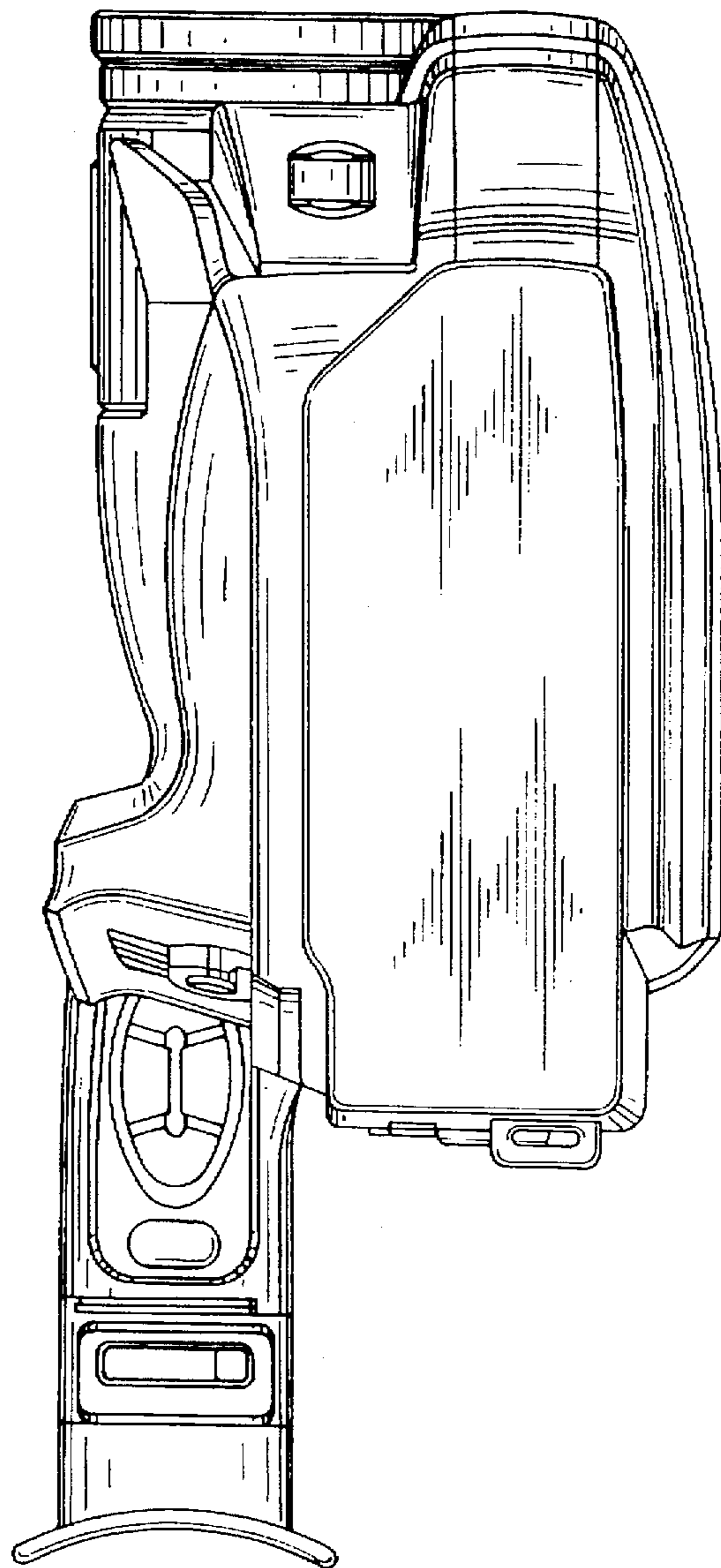


FIG. 6

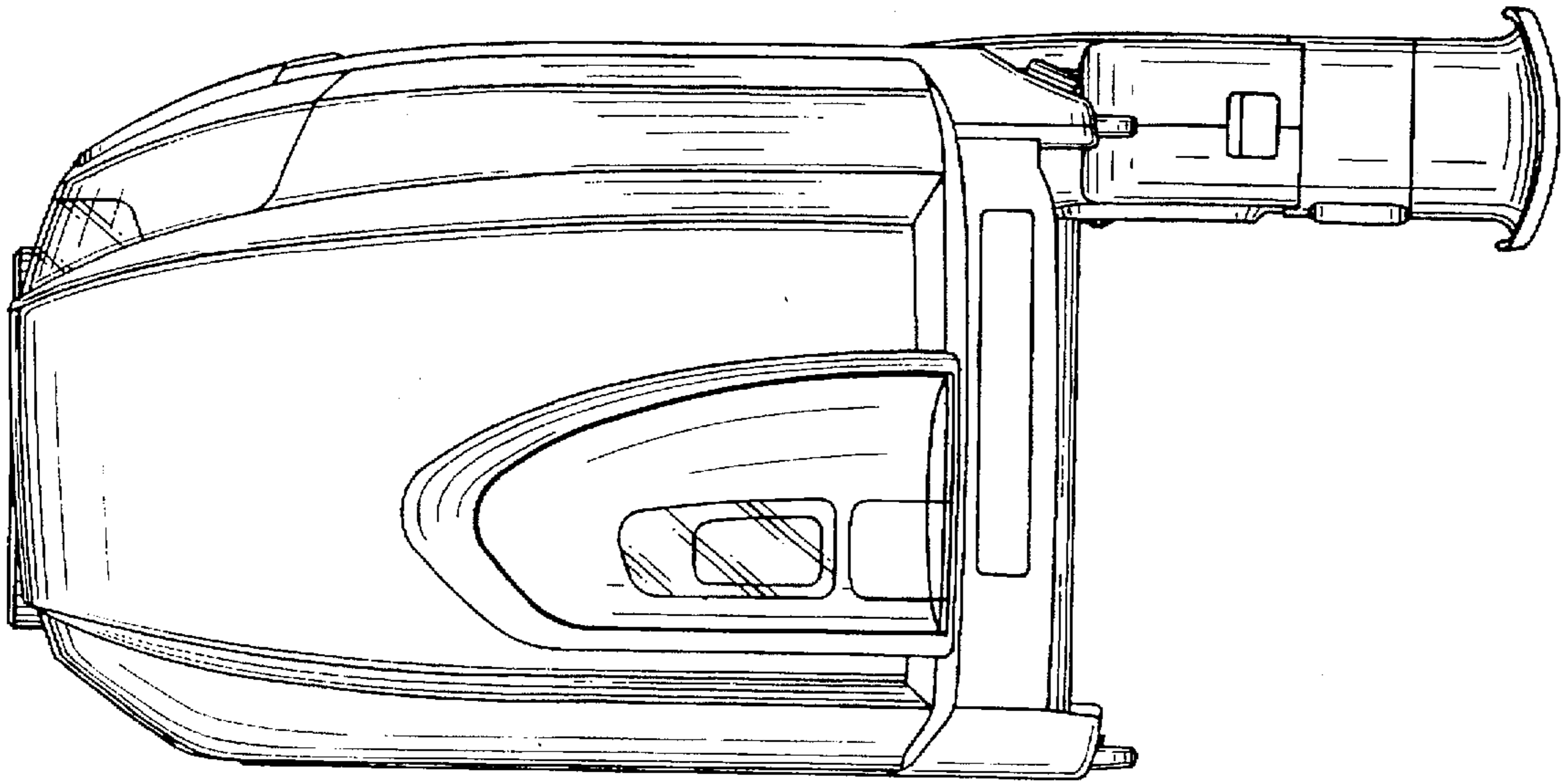


FIG. 7

