



US00D408042S

United States Patent [19]

[11] Patent Number: **Des. 408,042**

Onoda et al.

[45] Date of Patent: ****Apr. 13, 1999**

[54] **COMBINED VIDEO CAMERA WITH VIDEO TAPE RECORDER**

5,132,800 7/1992 Wada et al. 348/375

[75] Inventors: **Akira Onoda; Masaaki Goto; Shigetada Ninomiya**, all of Ehime, Japan

[73] Assignee: **Matsushita Electric Industrial Co., Ltd.**, Japan

[**] Term: **14 Years**

[21] Appl. No.: **29/086,297**

[22] Filed: **Apr. 9, 1998**

[30] **Foreign Application Priority Data**

Oct. 14, 1997 [JP] Japan 9-71498

[51] **LOC (6) Cl.** **16-01**

[52] **U.S. Cl.** **D16/202**

[58] **Field of Search** **D16/200-208; 348/373-376; 352/242, 243; 358/906; 396/535-543**

[56] **References Cited**

U.S. PATENT DOCUMENTS

D. 349,910	8/1994	Takano et al.	D16/202
D. 356,099	3/1995	Jones et al.	D16/202
D. 356,100	3/1995	Mori et al.	D16/202
D. 366,885	2/1996	Goto et al.	D16/202
D. 367,072	2/1996	Goto	D16/202
D. 372,255	7/1996	Nakamura	D16/202

OTHER PUBLICATIONS

Panasonic Catalog, Cover page (PV-IQ303 Camcorder), May 1994.

Panasonic Model No. NV-AL30, Catalog page issued before Oct. 14, 1997.

Primary Examiner—Ted Shooman

Assistant Examiner—Adir Aronovich

Attorney, Agent, or Firm—Saidman DesignLaw Group

[57] **CLAIM**

The ornamental design for a combined video camera with video tape recorder, as shown and described.

DESCRIPTION

FIG. 1 is a perspective view of the top, front and right side of a combined video camera with video tape recorder showing our new design;

FIG. 2 is a front view thereof;

FIG. 3 is a rear view thereof;

FIG. 4 is a top plan view thereof;

FIG. 5 is a bottom view thereof;

FIG. 6 is a right side view thereof;

FIG. 7 is a left side view thereof; and,

FIG. 8 is a perspective view of the top, rear and right side thereof showing the liquid crystal monitor part in open condition.

1 Claim, 4 Drawing Sheets

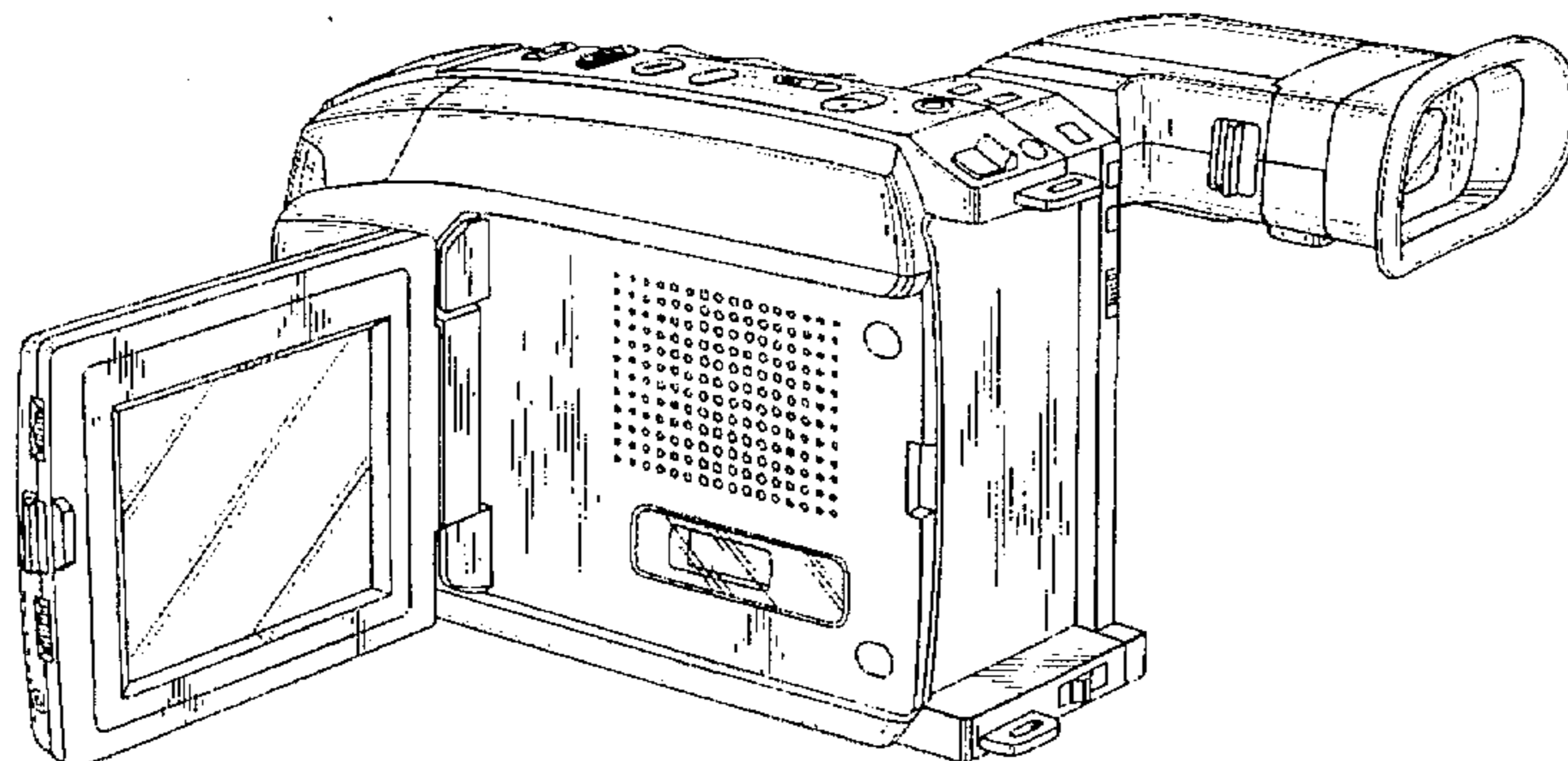
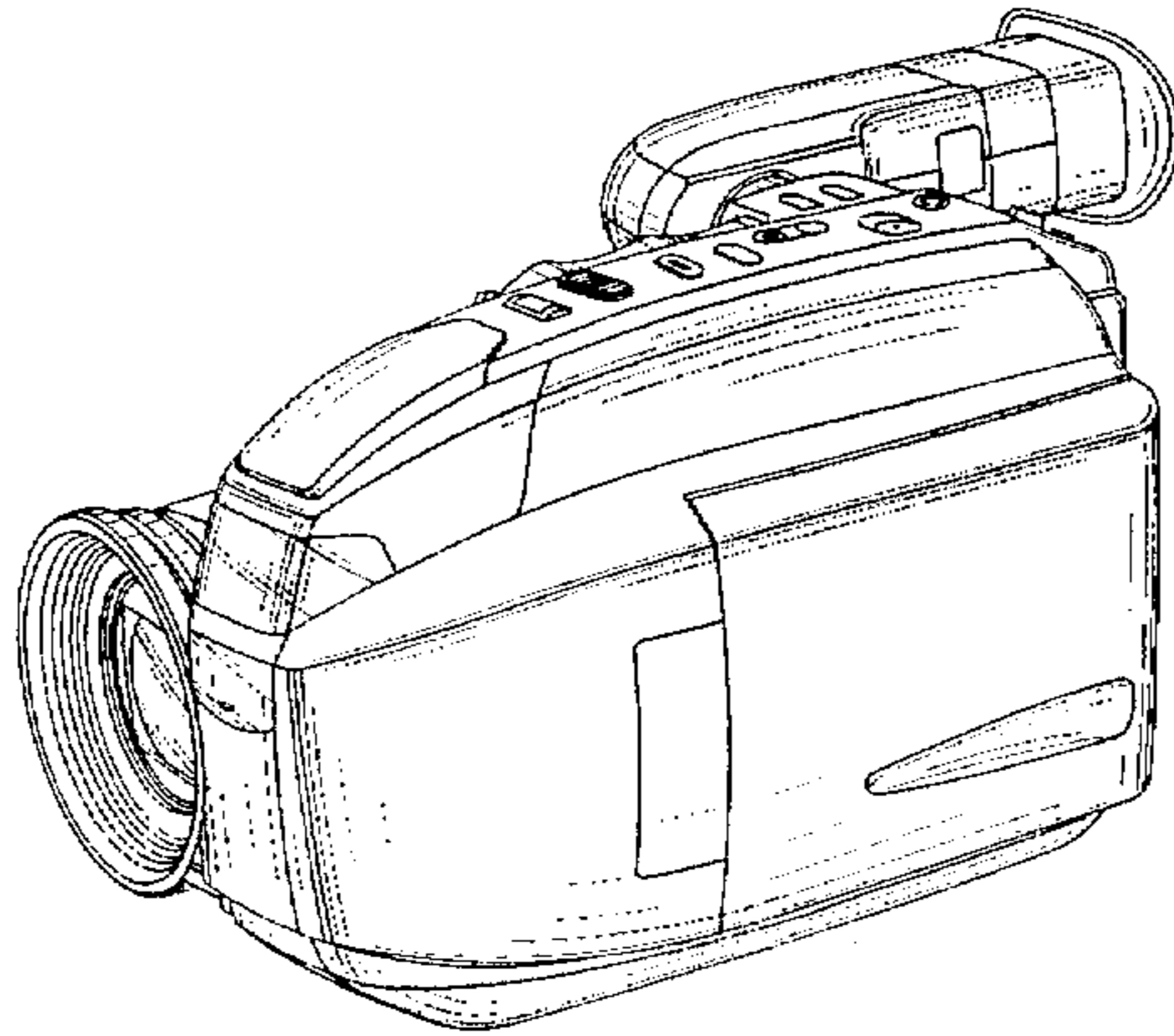


FIG. 1

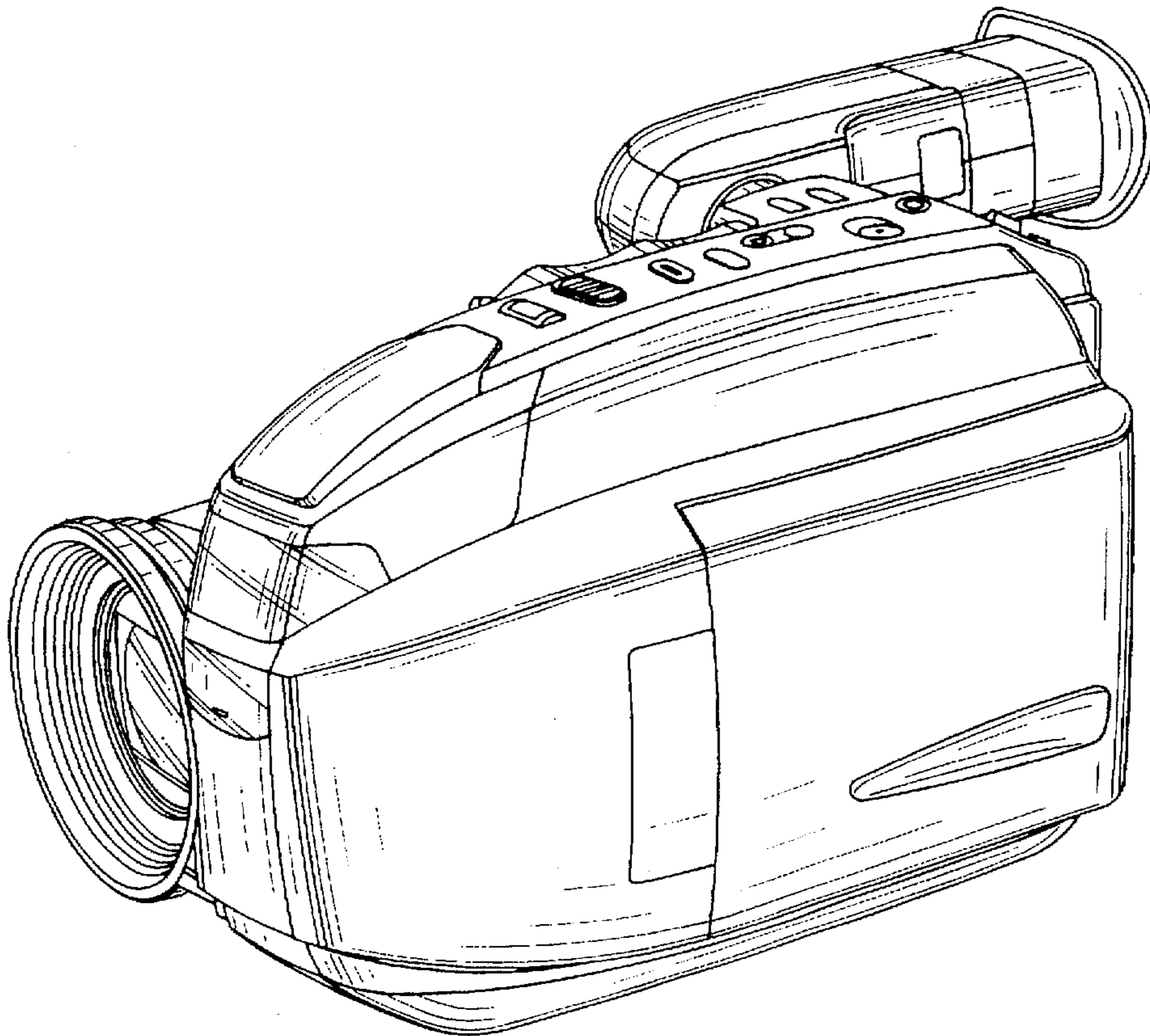


FIG. 2

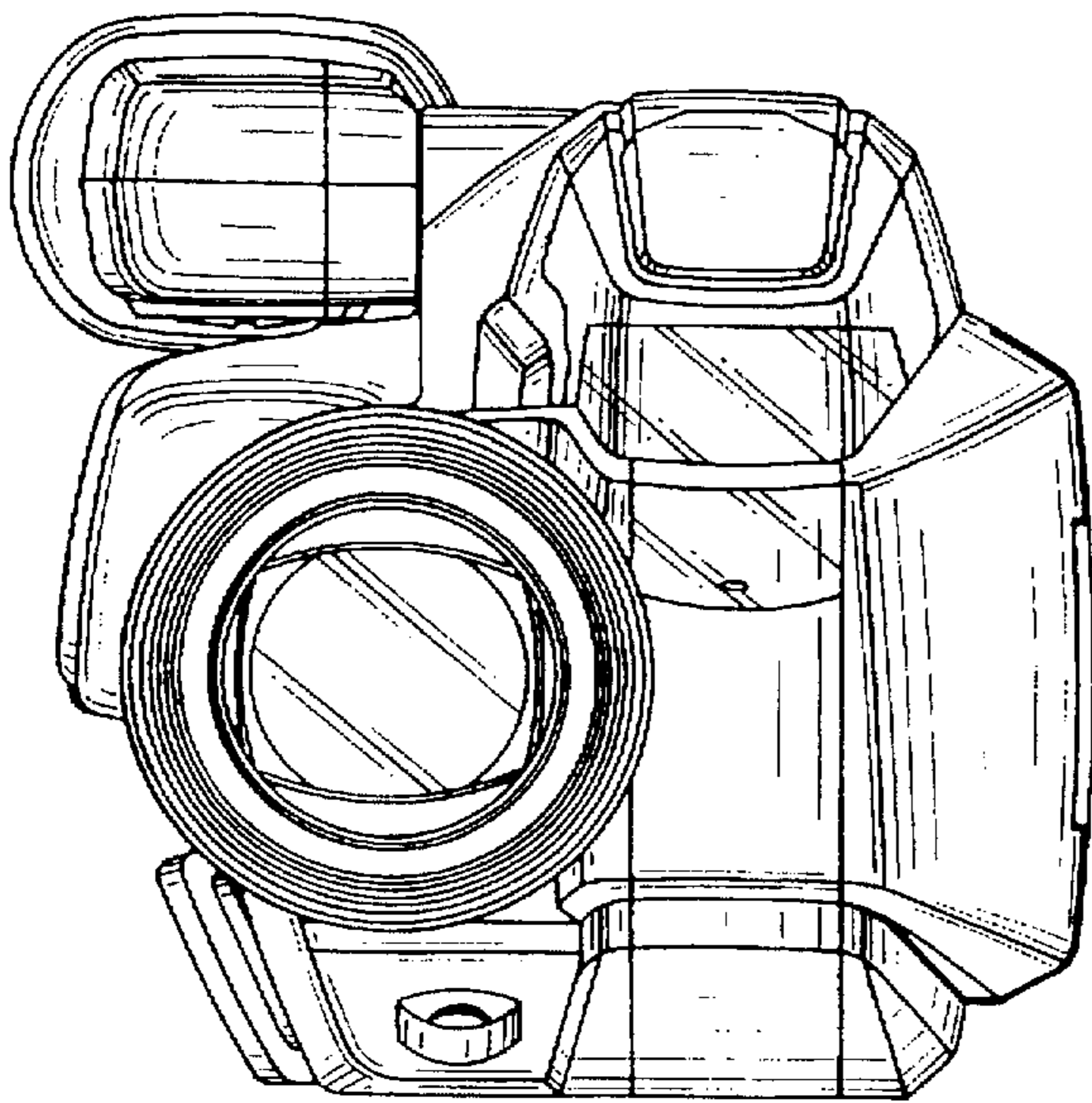


FIG. 3

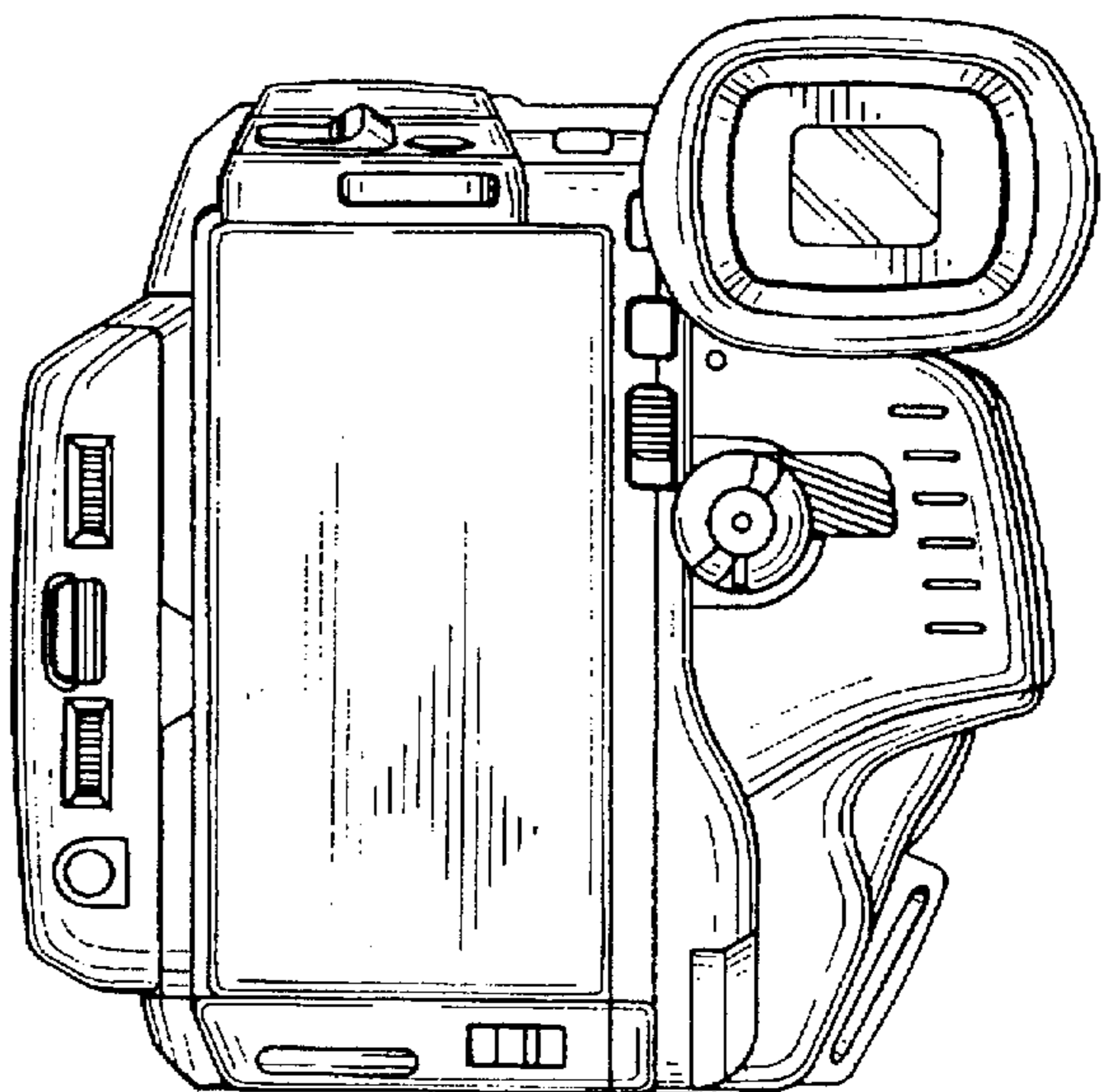


FIG. 4

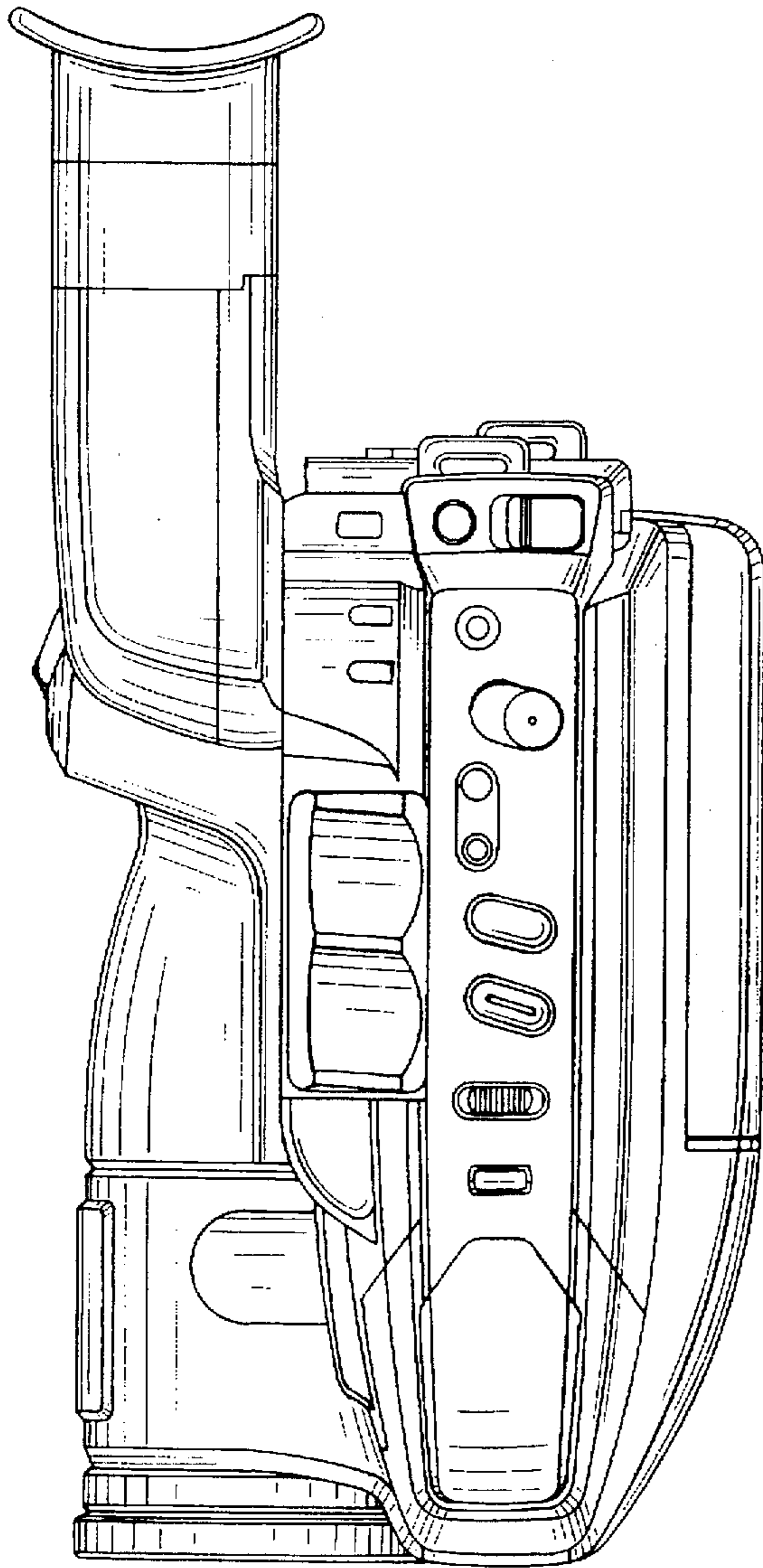


FIG. 5

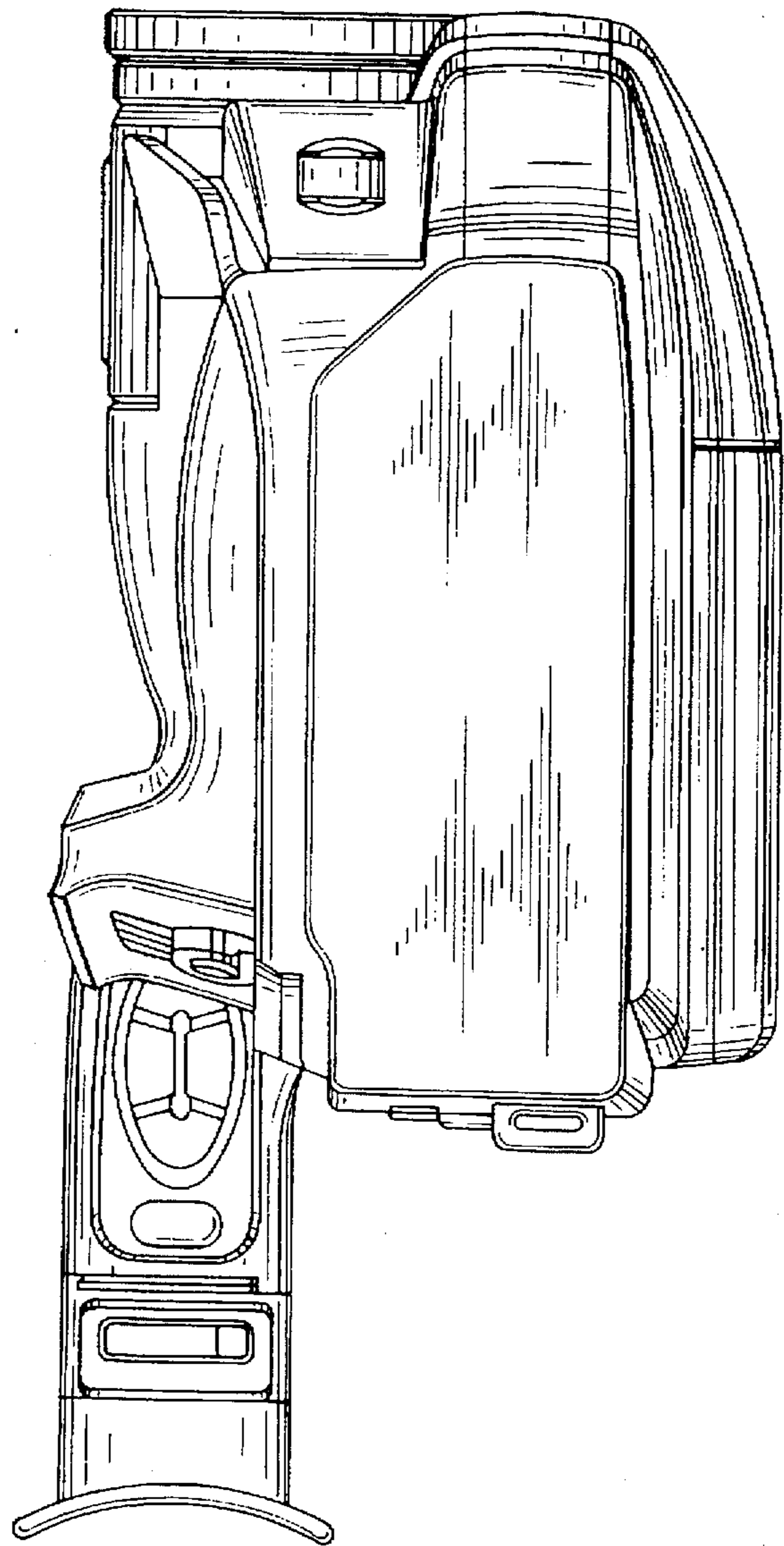


FIG. 6

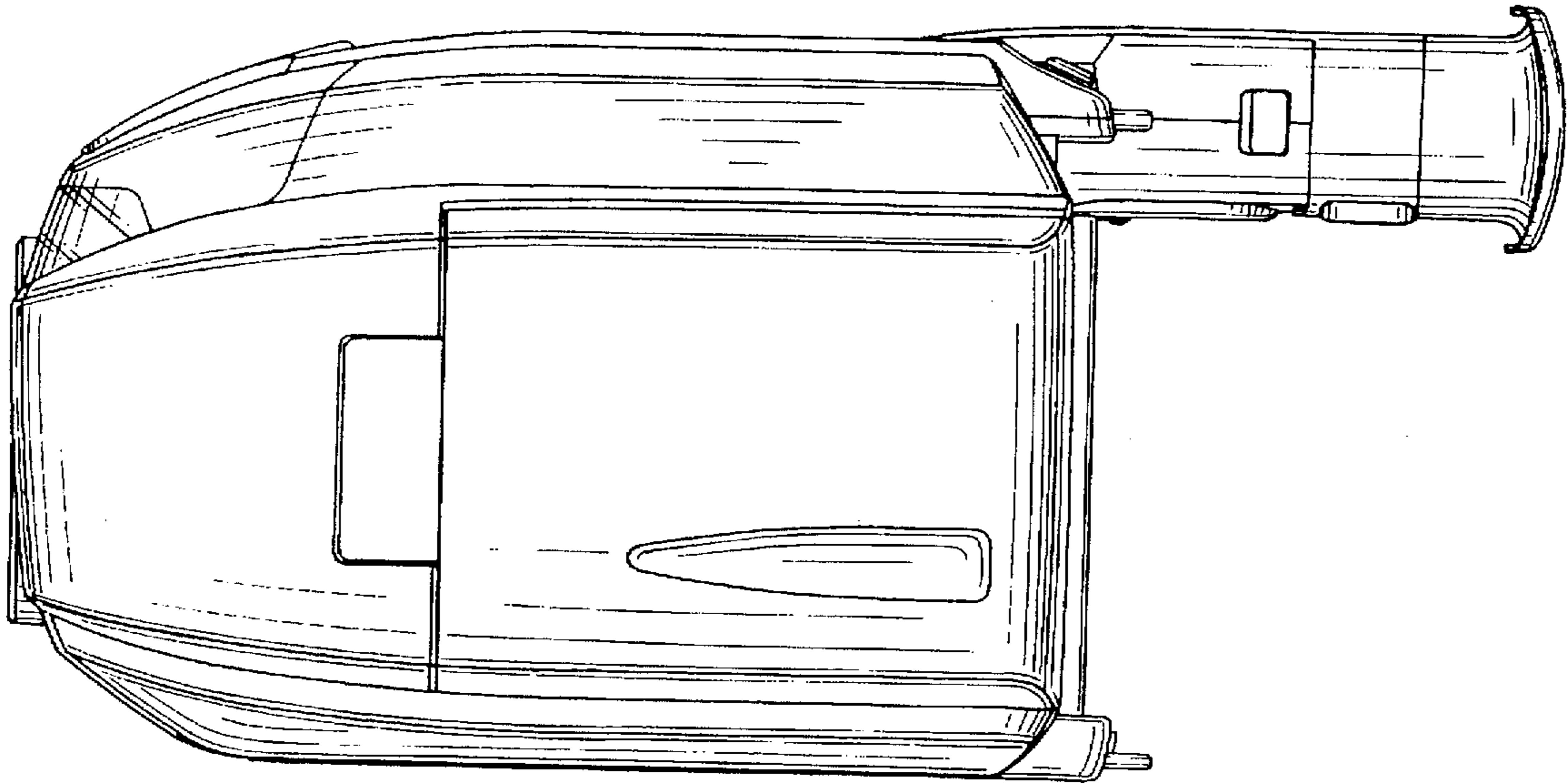


FIG. 7

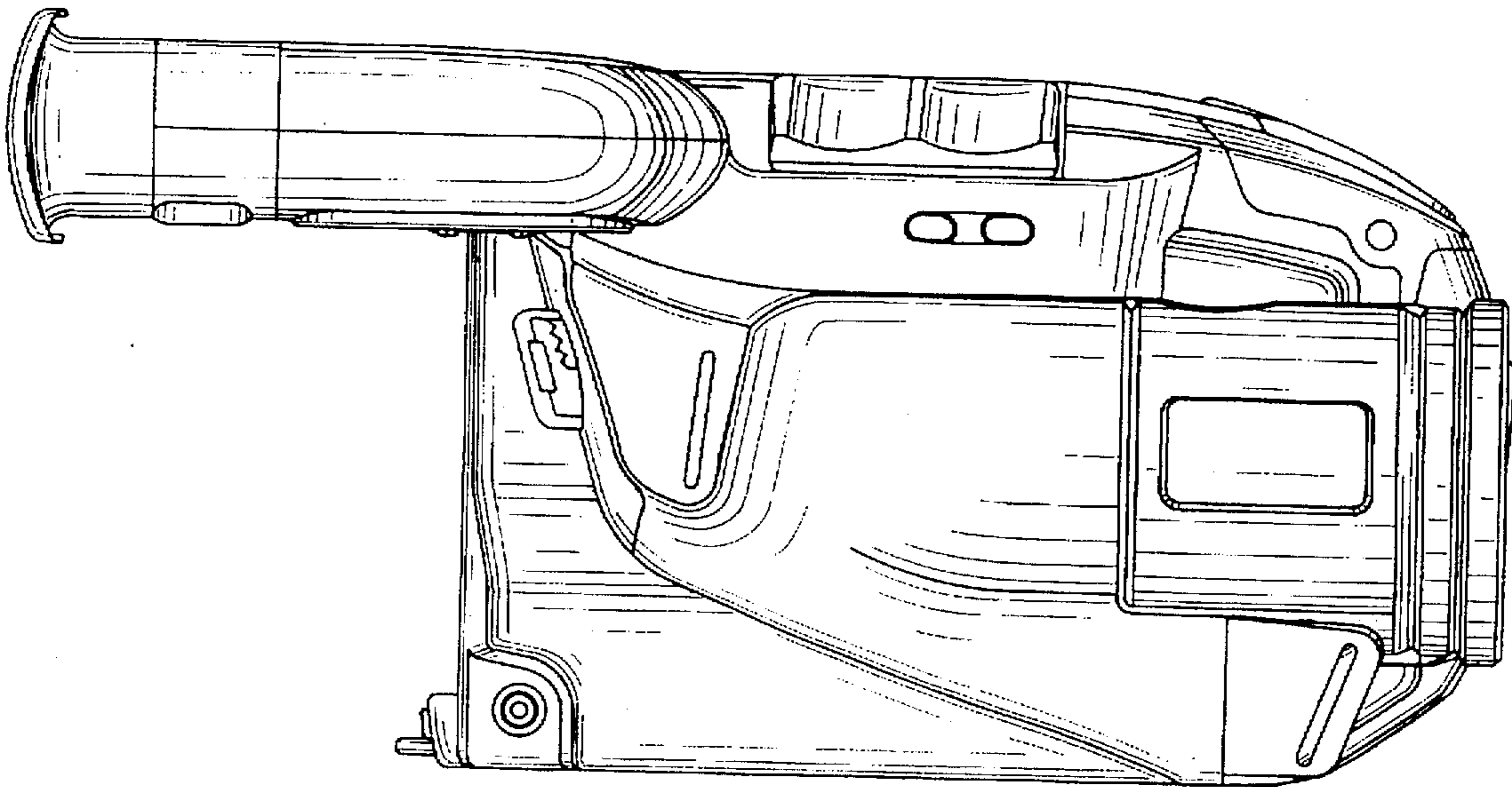


FIG. 8

