



US00D408039S

United States Patent [19]
Markee

[11] **Patent Number: Des. 408,039**

[45] **Date of Patent: **Apr. 13, 1999**

[54] **BEAN HOPPER**

[75] **Inventor: Brent Markee, Seattle, Wash.**

[73] **Assignee: Starbucks Corporation, Seattle, Wash.**

[**] **Term: 14 Years**

[21] **Appl. No.: 29/063,003**

[22] **Filed: Nov. 20, 1996**

[51] **LOC (6) Cl. 15-03**

[52] **U.S. Cl. D15/28**

[58] **Field of Search D15/10-13; D6/515;
D7/589; 111/170; 241/101.71, 101.75, 101.78,
282, 282.2**

[56] **References Cited**

U.S. PATENT DOCUMENTS

D. 206,813	1/1967	Vissers	D15/13
D. 221,287	7/1971	Enters	D15/10
D. 242,577	11/1976	Fischer	D6/515
D. 288,652	3/1987	Snediker, Sr. et al.	D7/589
D. 323,512	1/1992	D'Aleo et al.	D15/10
D. 372,922	8/1996	Tiedeman et al.	D15/10
5,199,563	4/1993	Durrant et al.	241/101.7
5,255,846	10/1993	Ortega	D15/13
5,524,558	6/1996	Pierzchalski et al.	111/170
5,697,625	12/1997	Ptp	280/47.26

Primary Examiner—Sandra L. Morris
Attorney, Agent, or Firm—Christensen O'Connor Johnson
& Kindness PLLC

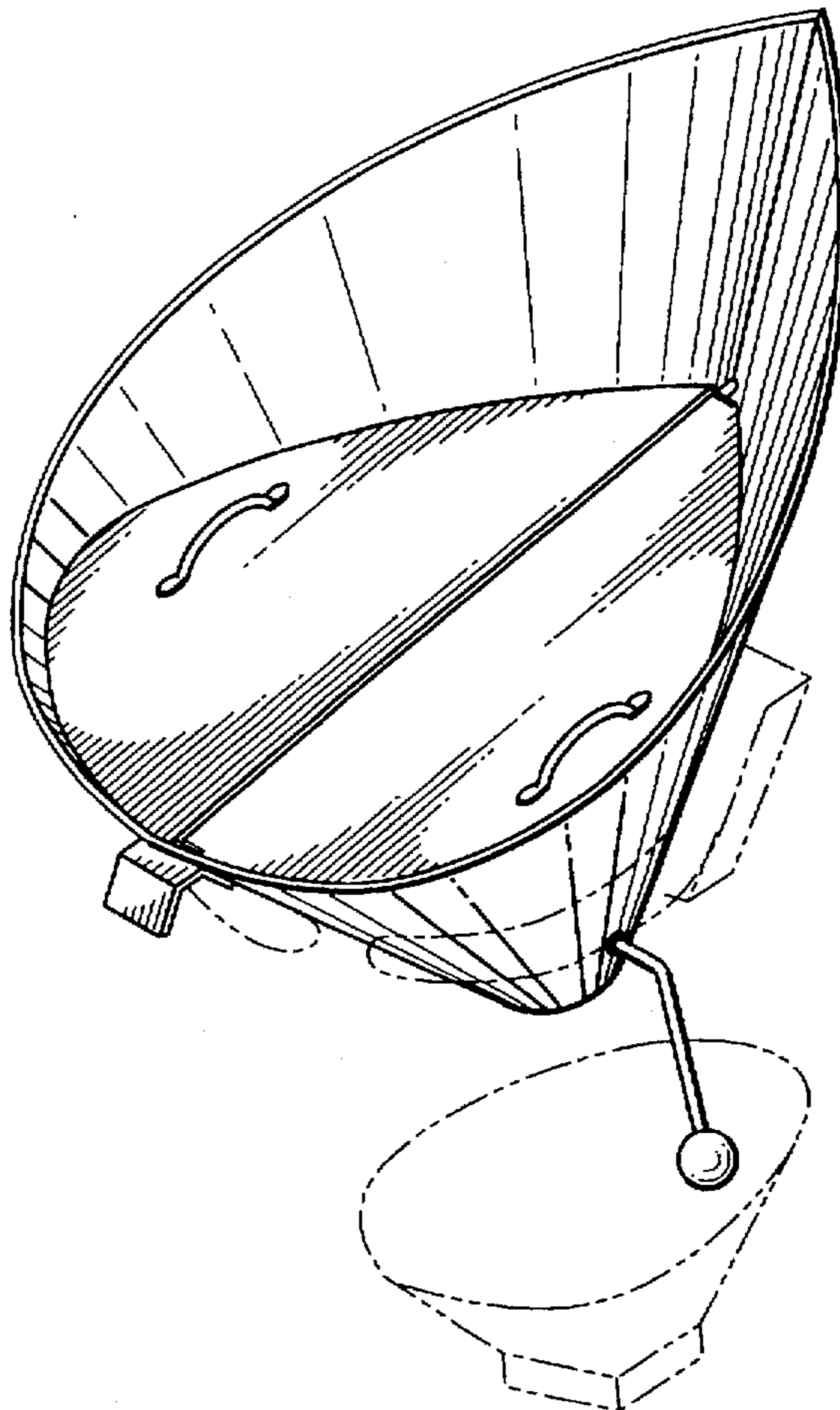
[57] **CLAIM**

The ornamental design for a bean hopper, as shown and described.

DESCRIPTION

FIG. 1 is a perspective view of my new bean hopper;
FIG. 2 is a top view thereof;
FIG. 3 is a bottom view thereof;
FIG. 4 is a front view thereof;
FIG. 5 is a back view thereof;
FIG. 6 is a right side view thereof;
FIG. 7 is a left side view thereof;
FIG. 8 is a perspective view of a second embodiment of a new bean hopper;
FIG. 9 is a top view thereof;
FIG. 10 is a bottom view thereof;
FIG. 11 is a back view thereof;
FIG. 12 is a front view thereof;
FIG. 13 is a right side view thereof; and,
FIG. 14 is a left side view thereof.
The broken line showing is for illustrative purposes only, and forms no part of the claimed design.

1 Claim, 8 Drawing Sheets



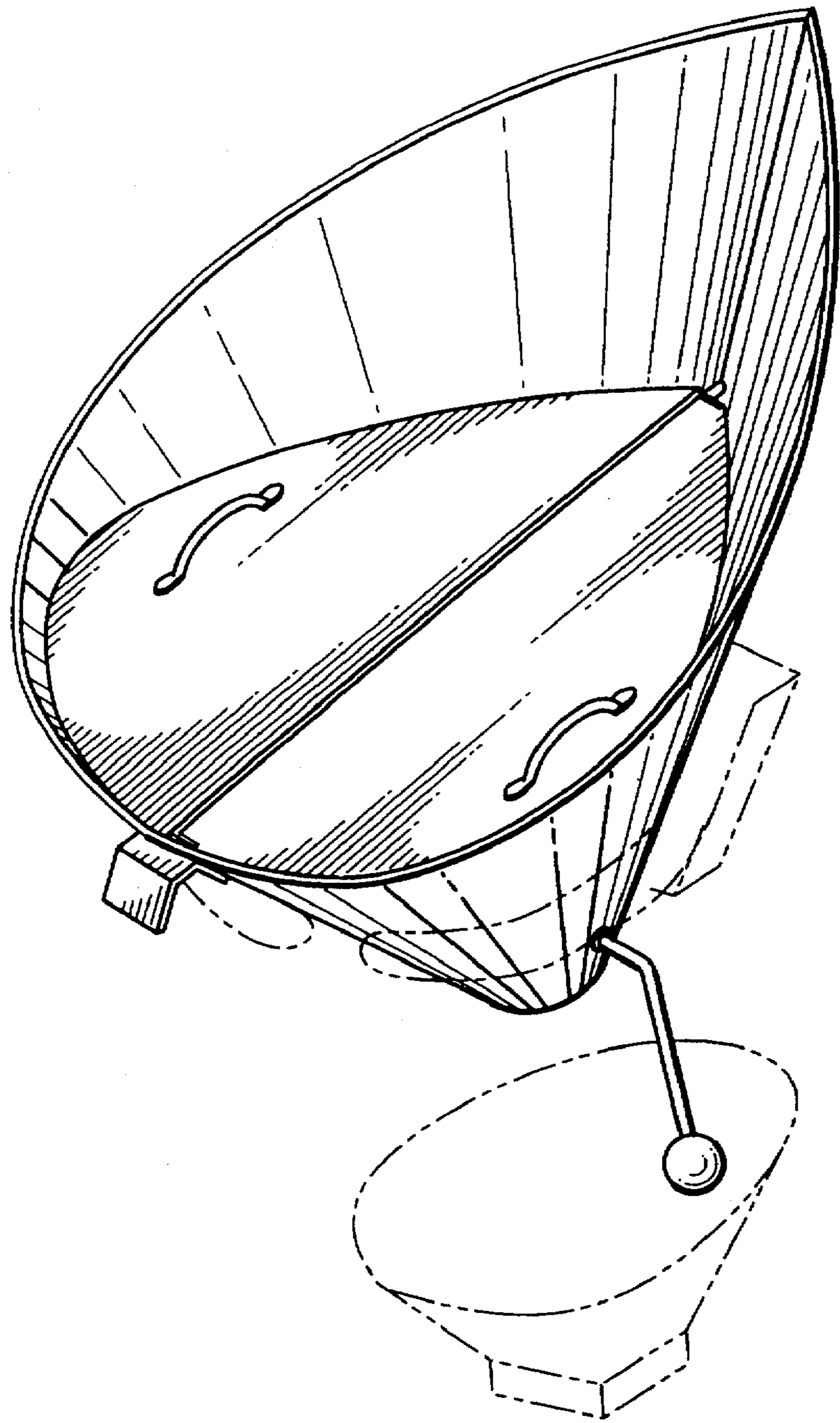


Fig. 1

Fig. 2

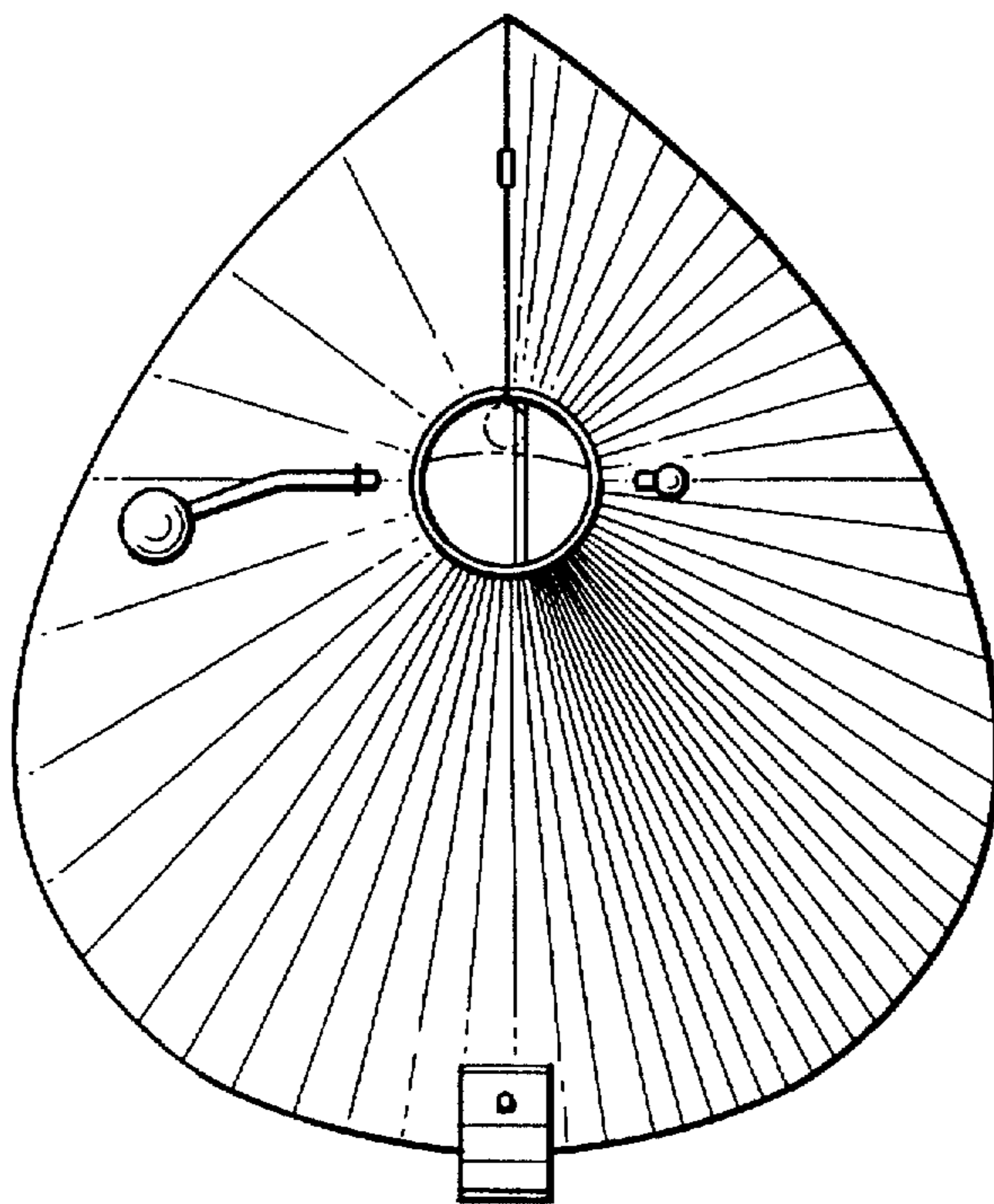
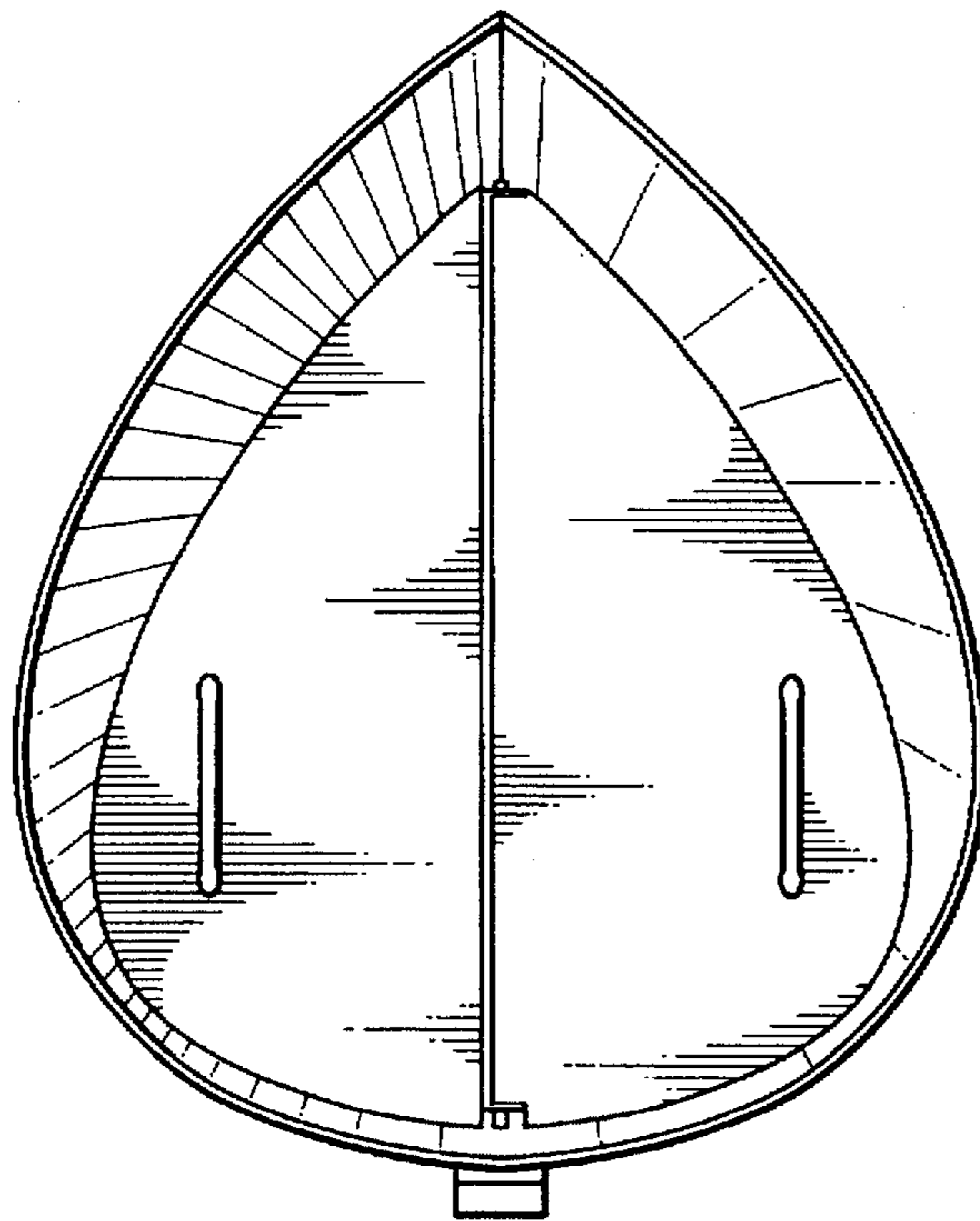


Fig. 3

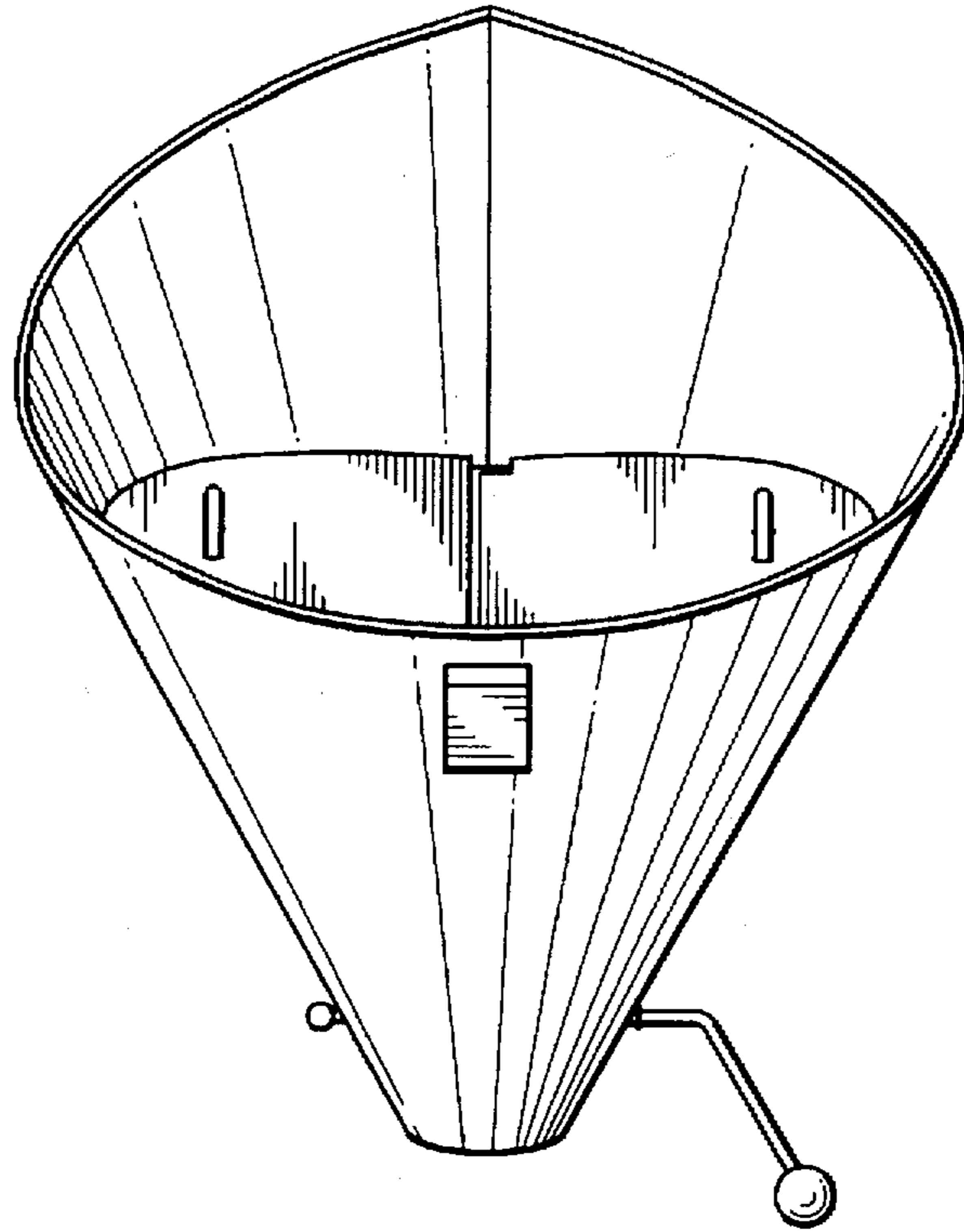


Fig. 4

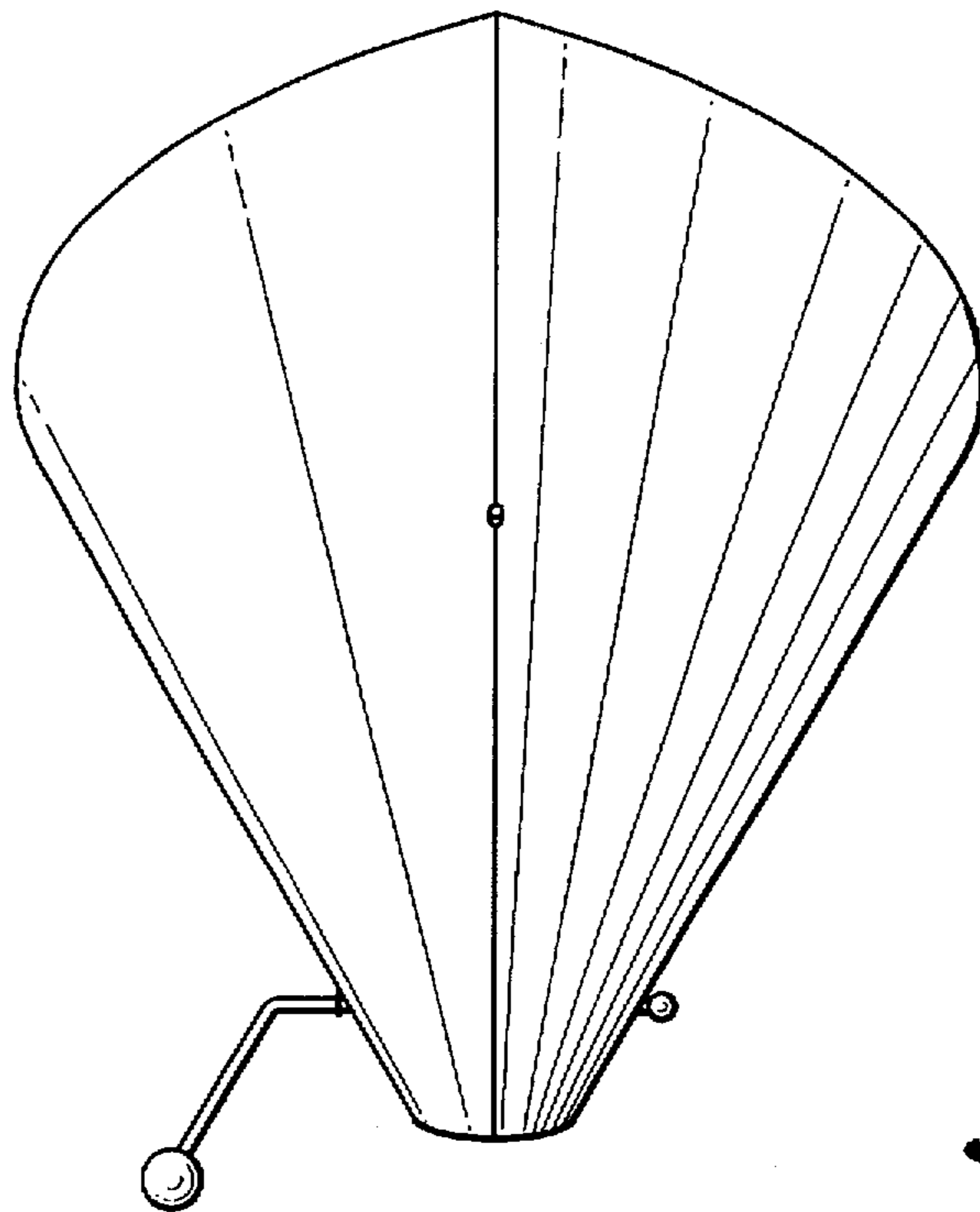


Fig. 5

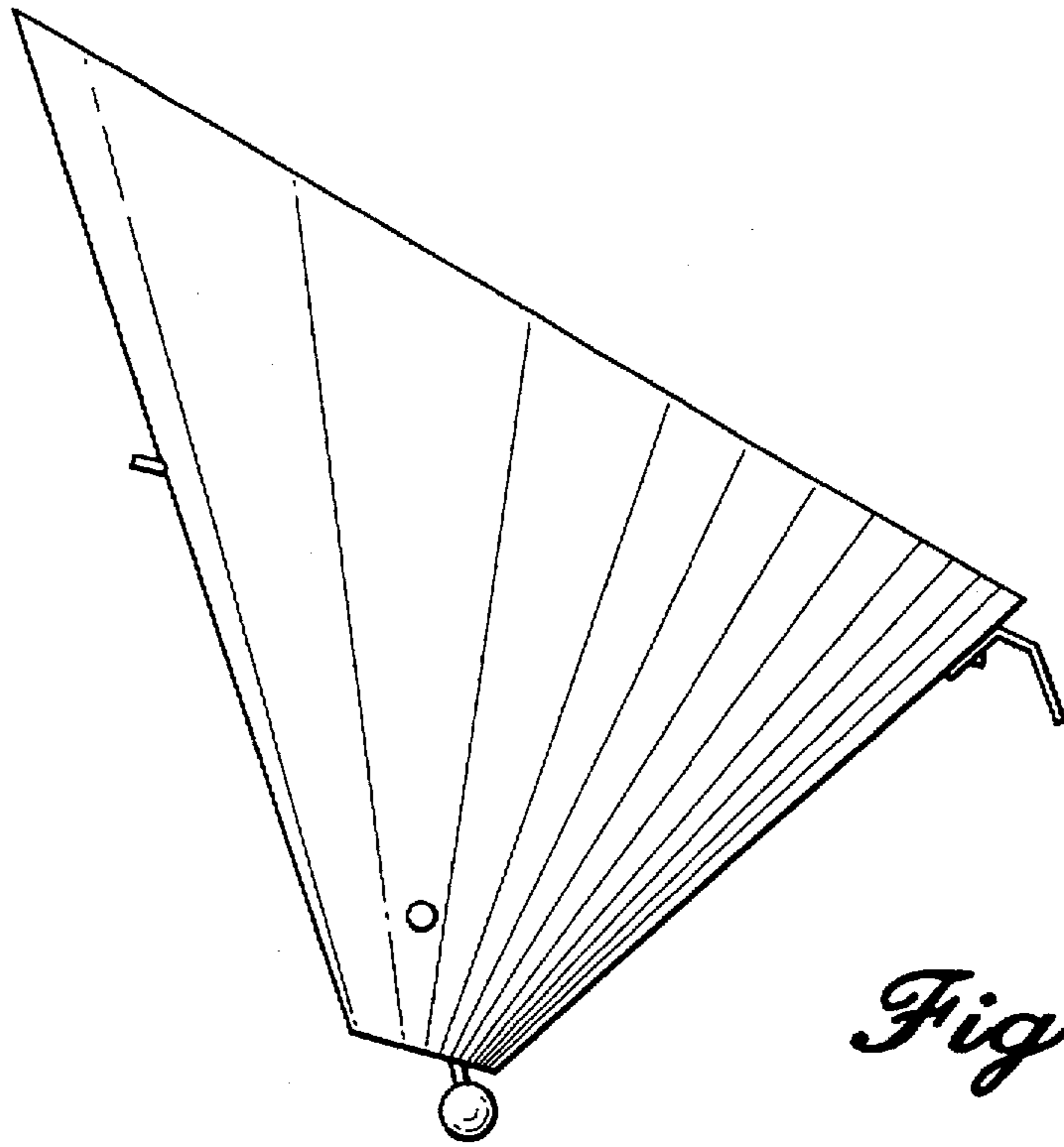


Fig. 6

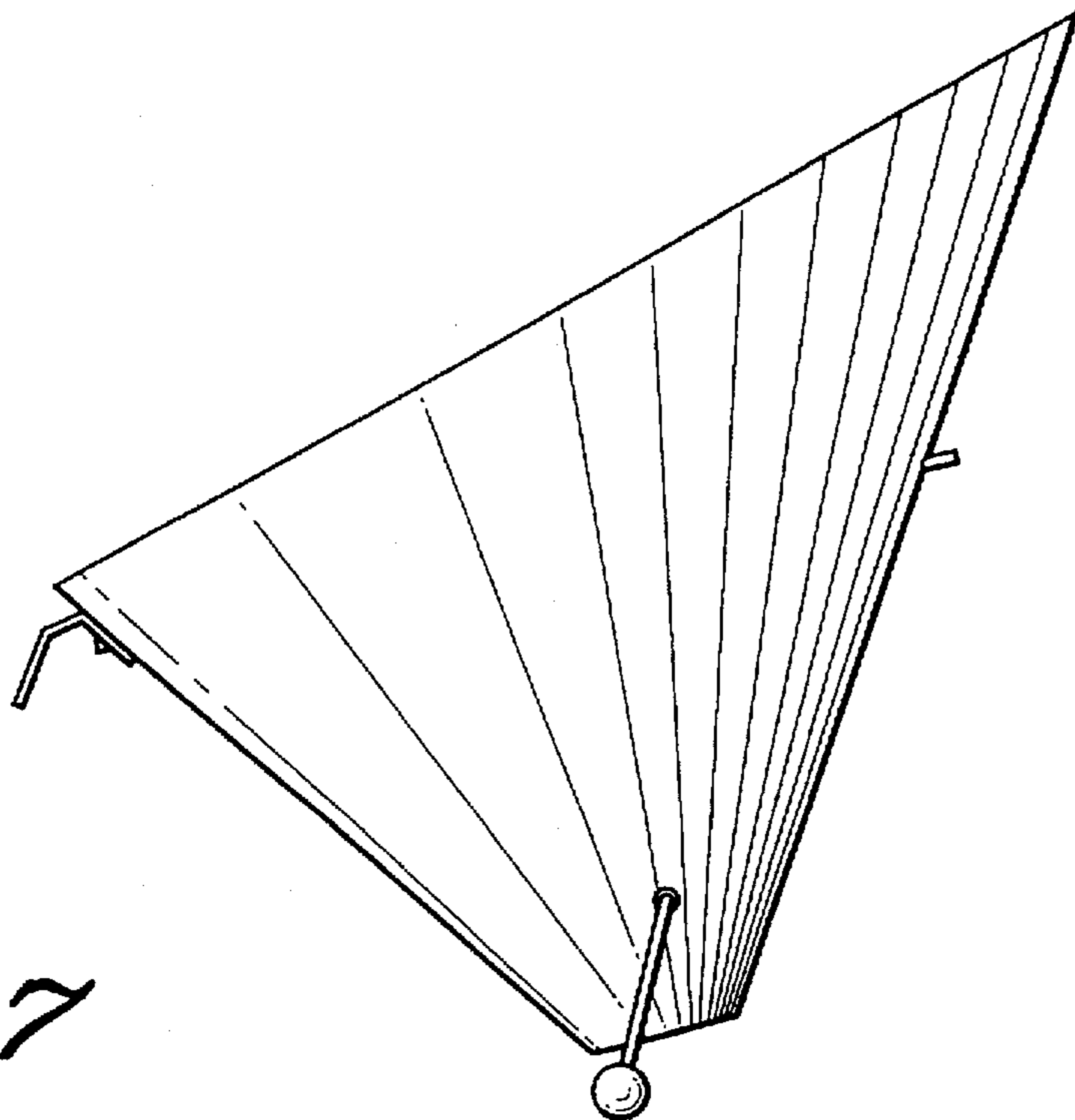


Fig. 7

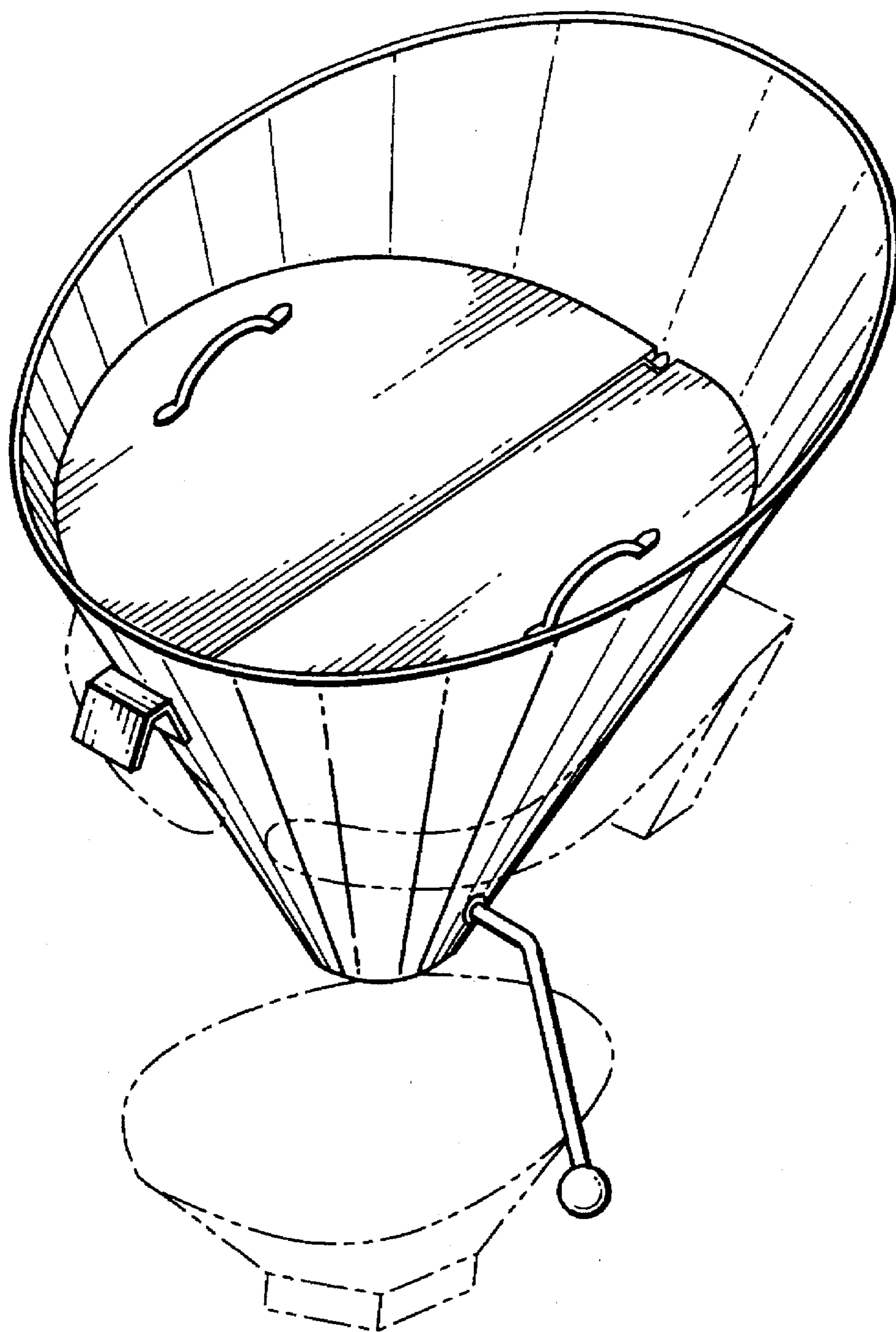


Fig. 8

Fig. 9

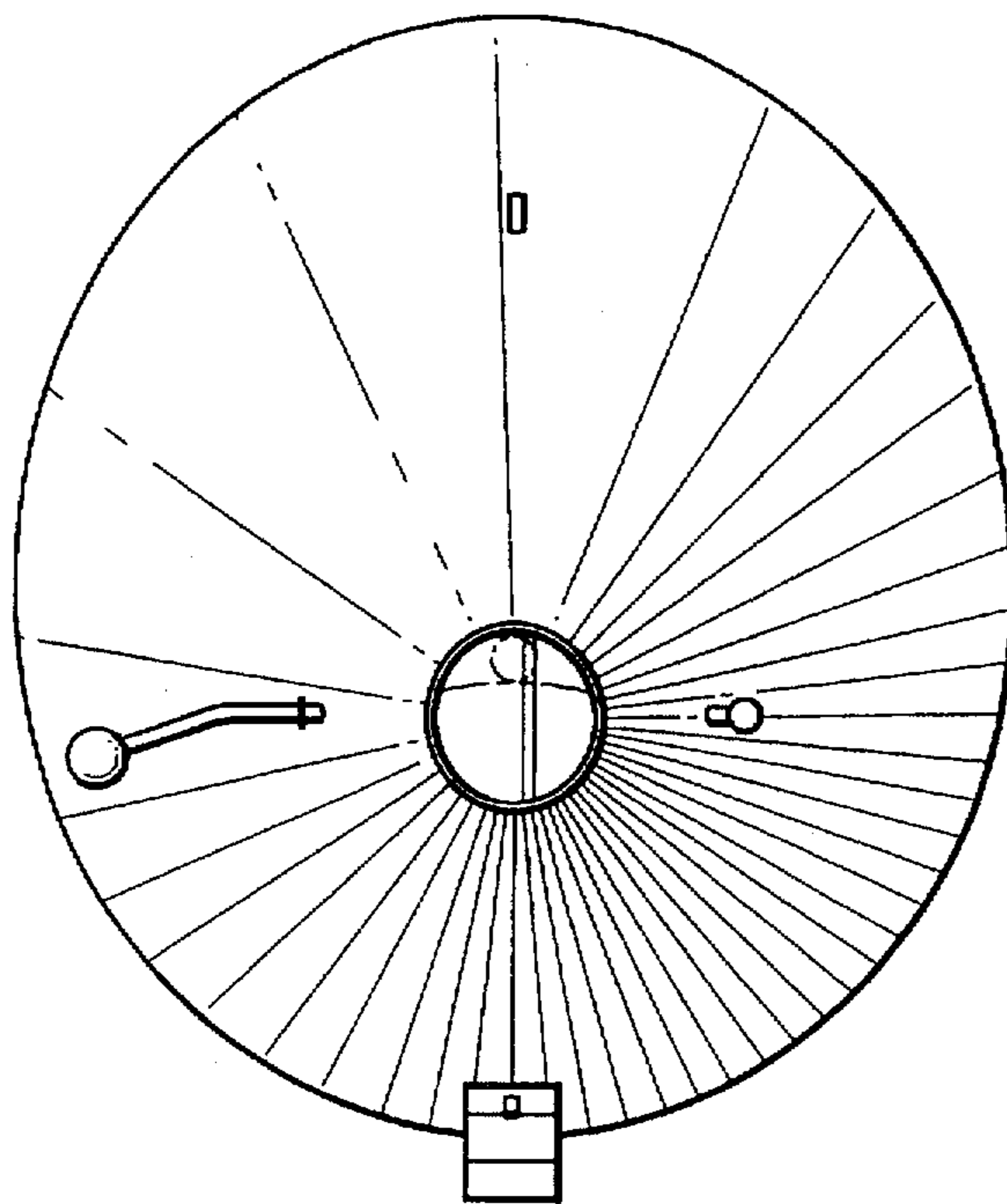
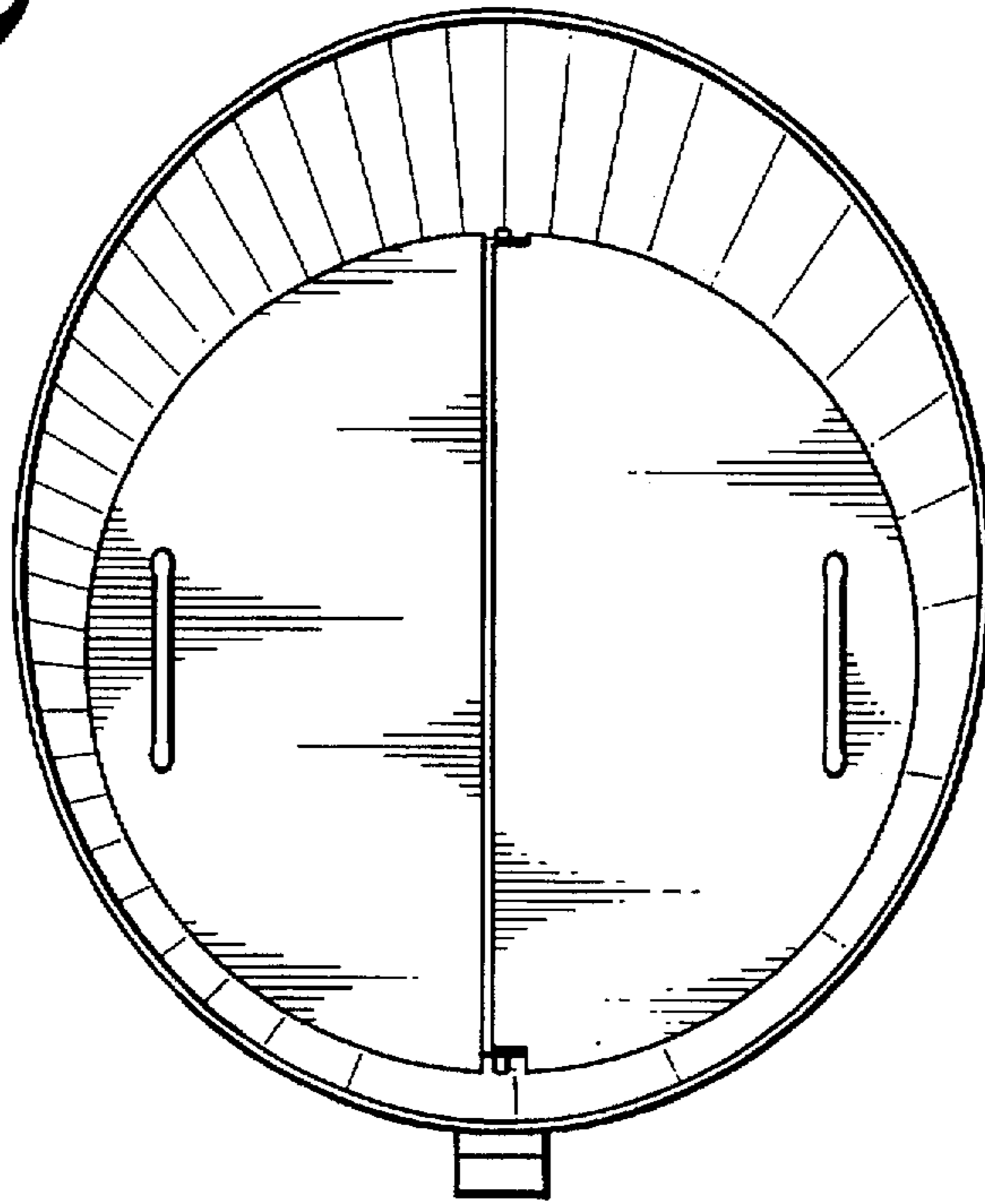


Fig. 10

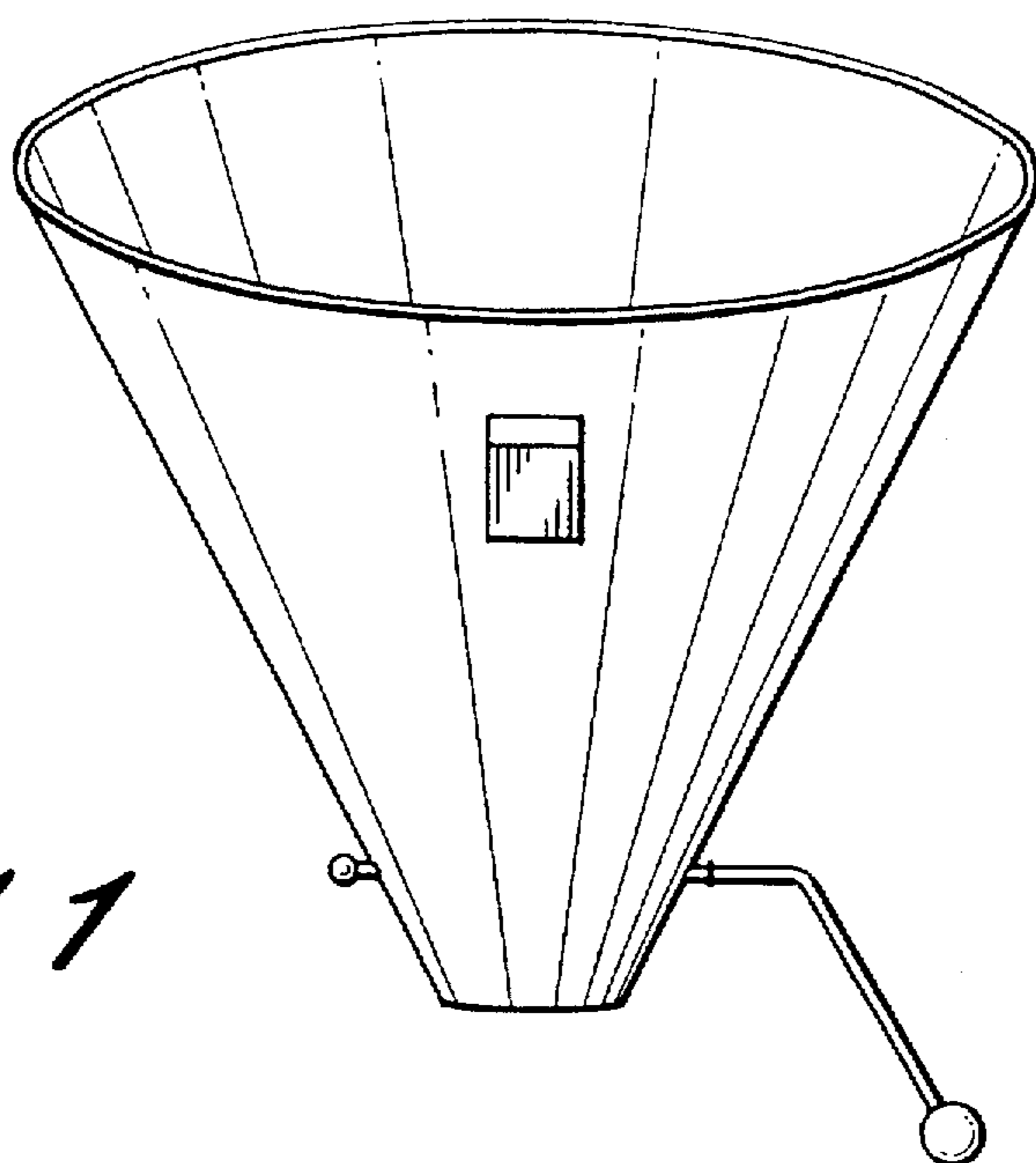


Fig. 11

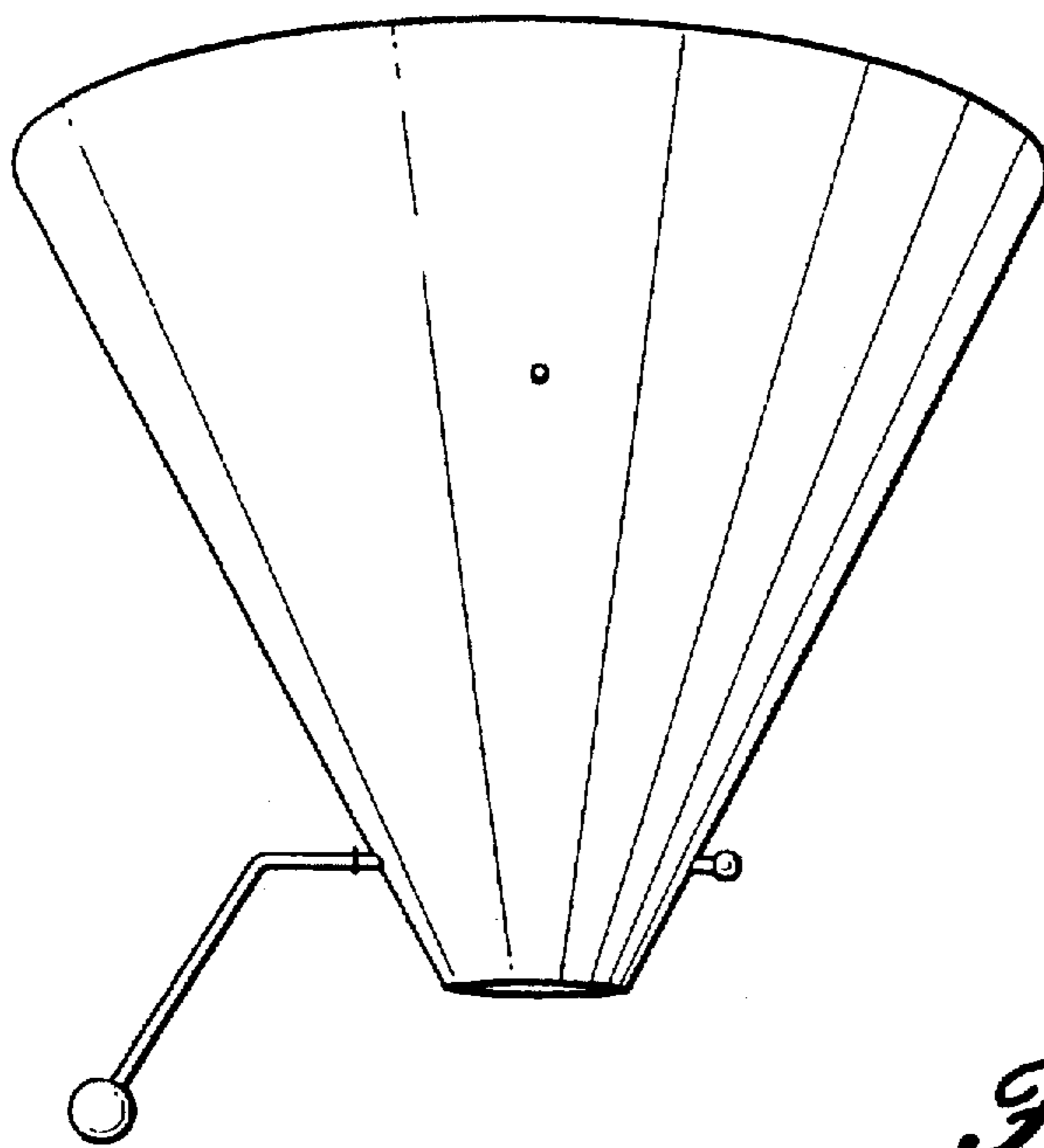


Fig. 12

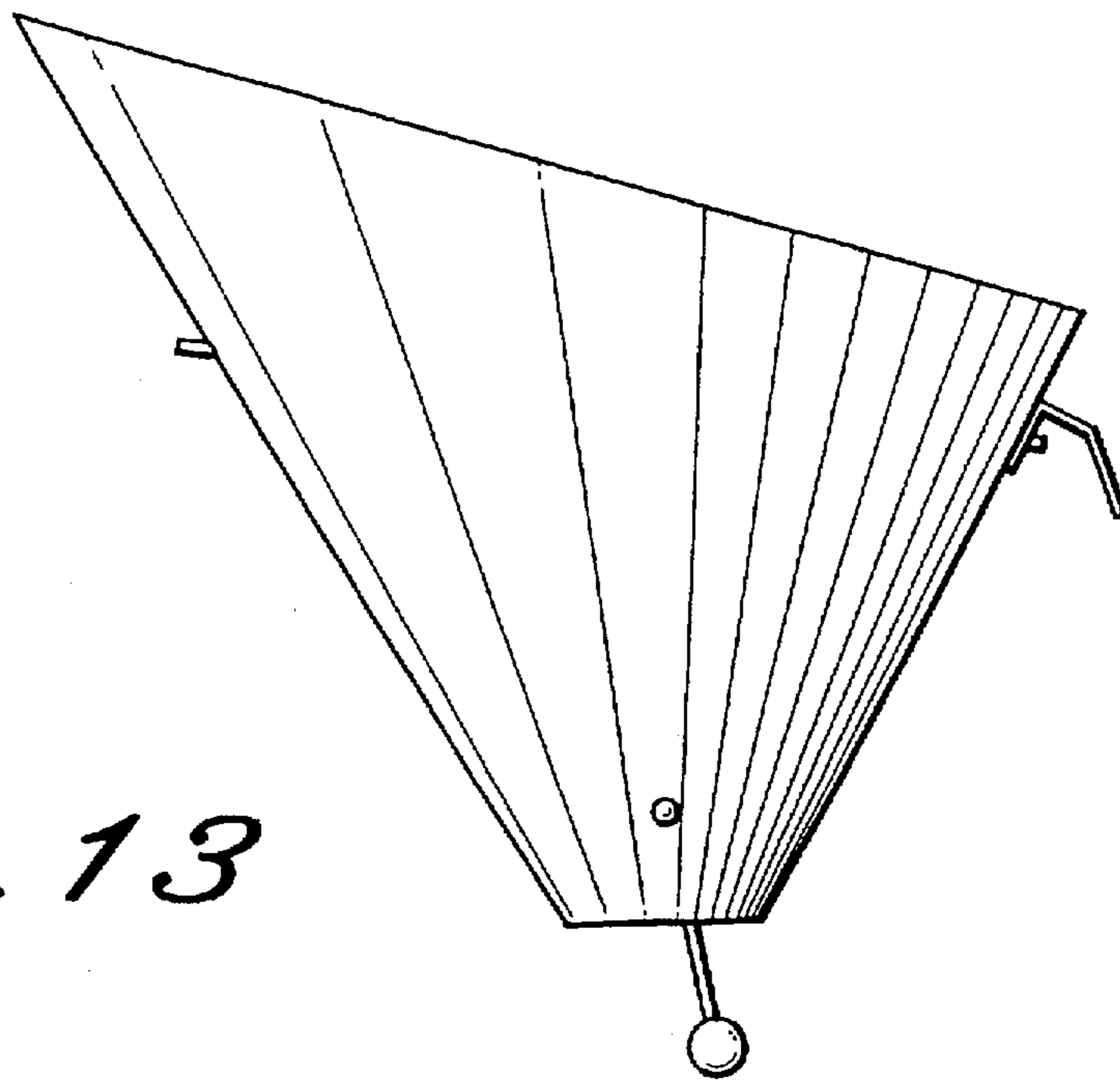


Fig. 13

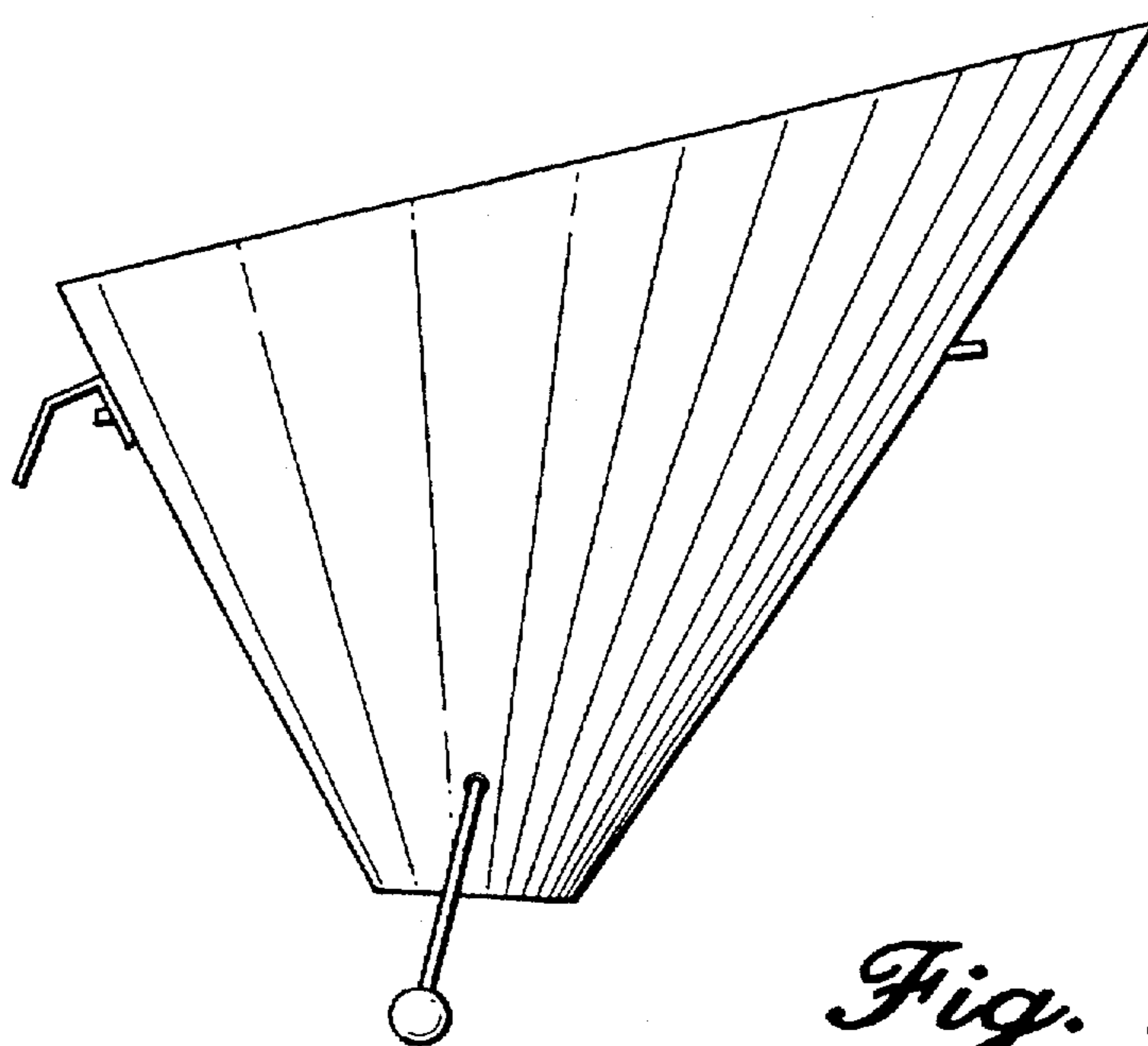


Fig. 14