



US00D408034S

**United States Patent** [19]  
**Chuang**

[11] **Patent Number: Des. 408,034**

[45] **Date of Patent: \*\*Apr. 13, 1999**

[54] **PAY PHONE**

3,511,939	5/1970	Aikawa .....	379/143
4,736,408	4/1988	Chen .....	379/155
4,991,202	2/1991	Su .....	379/146

[76] **Inventor: Tung-Wen Chuang**, No.25, Lane 169, Kang-Ning St., His-Chin Chen, Taipei Hsien, Taiwan

**OTHER PUBLICATIONS**

[\*\*] **Term: 14 Years**

Japan Telecommunications Review, Apr. 1976, p. 73, Figure 3 at top.

[21] **Appl. No.: 29/090,770**

*Primary Examiner*—Jeffrey Asch  
*Attorney, Agent, or Firm*—Pro-Techtor International Services

[22] **Filed: Jul. 15, 1998**

[51] **LOC (6) Cl. .... 14-03**

[57] **CLAIM**

[52] **U.S. Cl. .... D14/146**

The ornamental design for a pay phone, as shown and described.

[58] **Field of Search** ..... D14/137, 138, D14/140, 142, 147-151, 146, 240; 379/433-436, 419, 420, 428, 440, 430, 453, 143-155, 368

**DESCRIPTION**

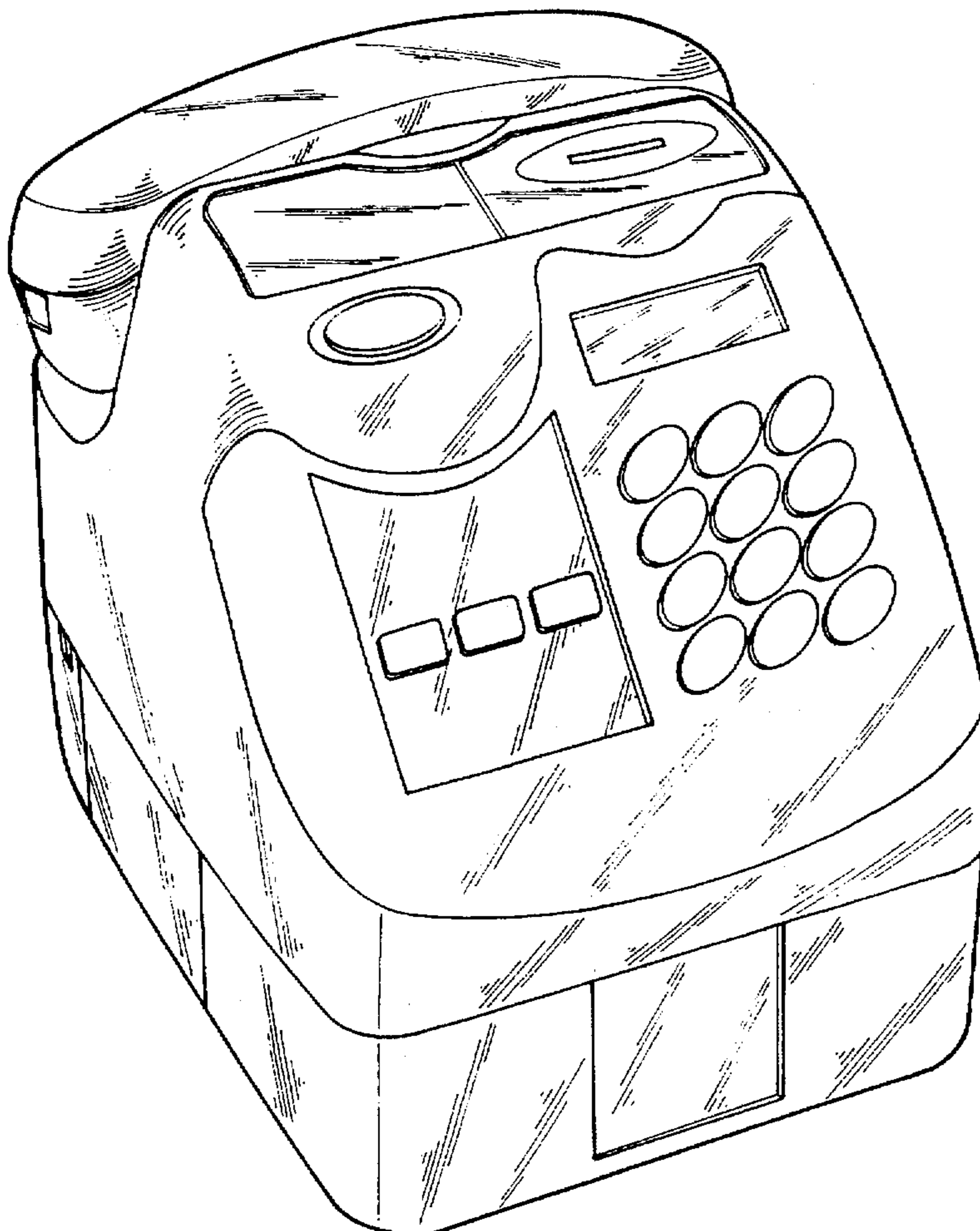
[56] **References Cited**

FIG. 1 is the perspective view of a pay phone showing my new design;  
FIG. 2 is the front elevation view thereof;  
FIG. 3 is the rear elevation view thereof;  
FIG. 4 is the left side view thereof;  
FIG. 5 is the right side view thereof;  
FIG. 6 is the top plan view thereof; and,  
FIG. 7 is the bottom plan view thereof.

**U.S. PATENT DOCUMENTS**

D. 202,110	8/1965	Wann .....	D14/150
D. 233,352	10/1974	Krammer et al. ....	D14/146
D. 297,638	9/1988	Chu .....	D14/150
D. 320,206	9/1991	Graves et al. ....	D14/150
D. 396,465	7/1998	Chien et al. ....	D14/146
D. 396,858	8/1998	Chien et al. ....	D14/146

**1 Claim, 4 Drawing Sheets**



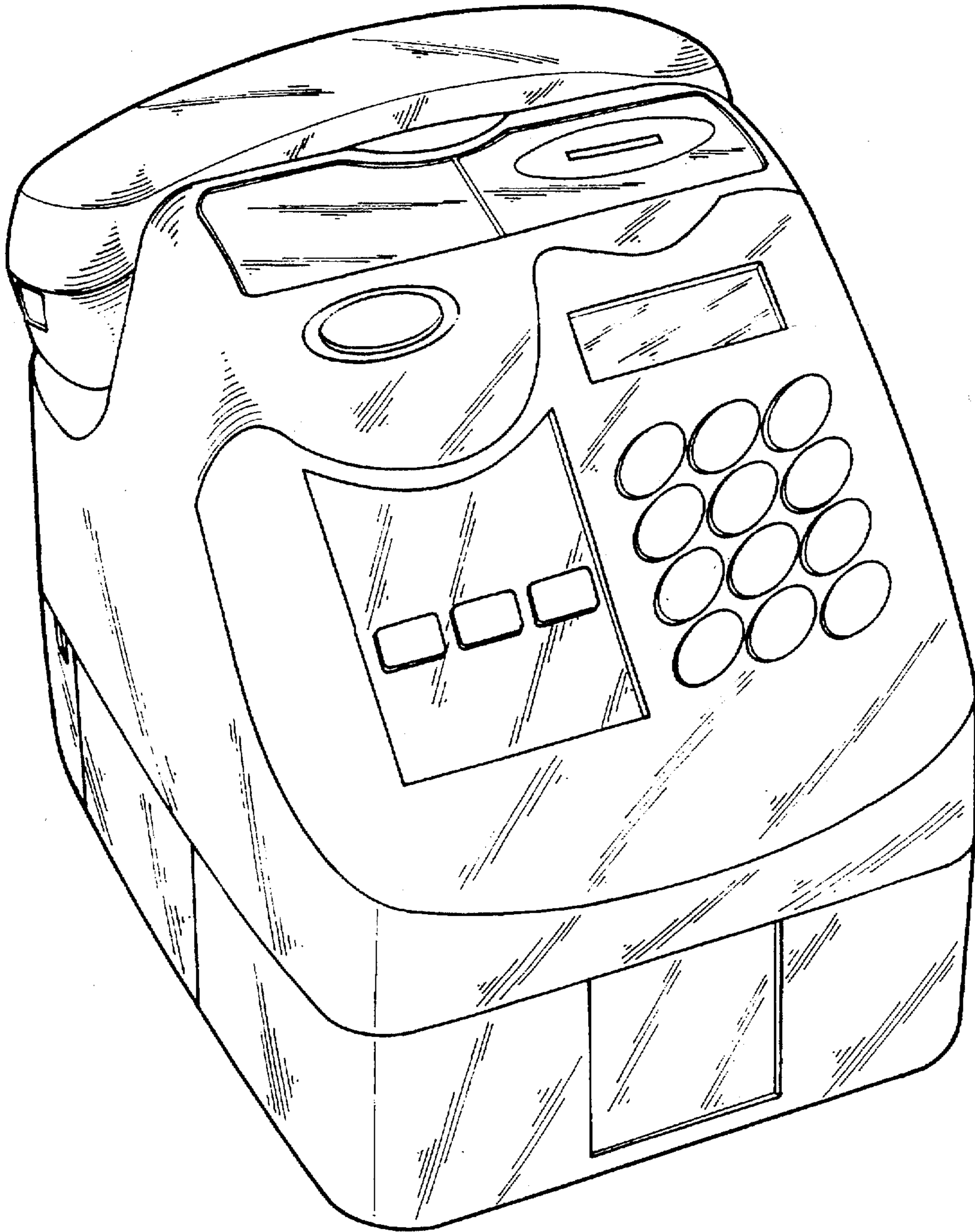


Fig. 1

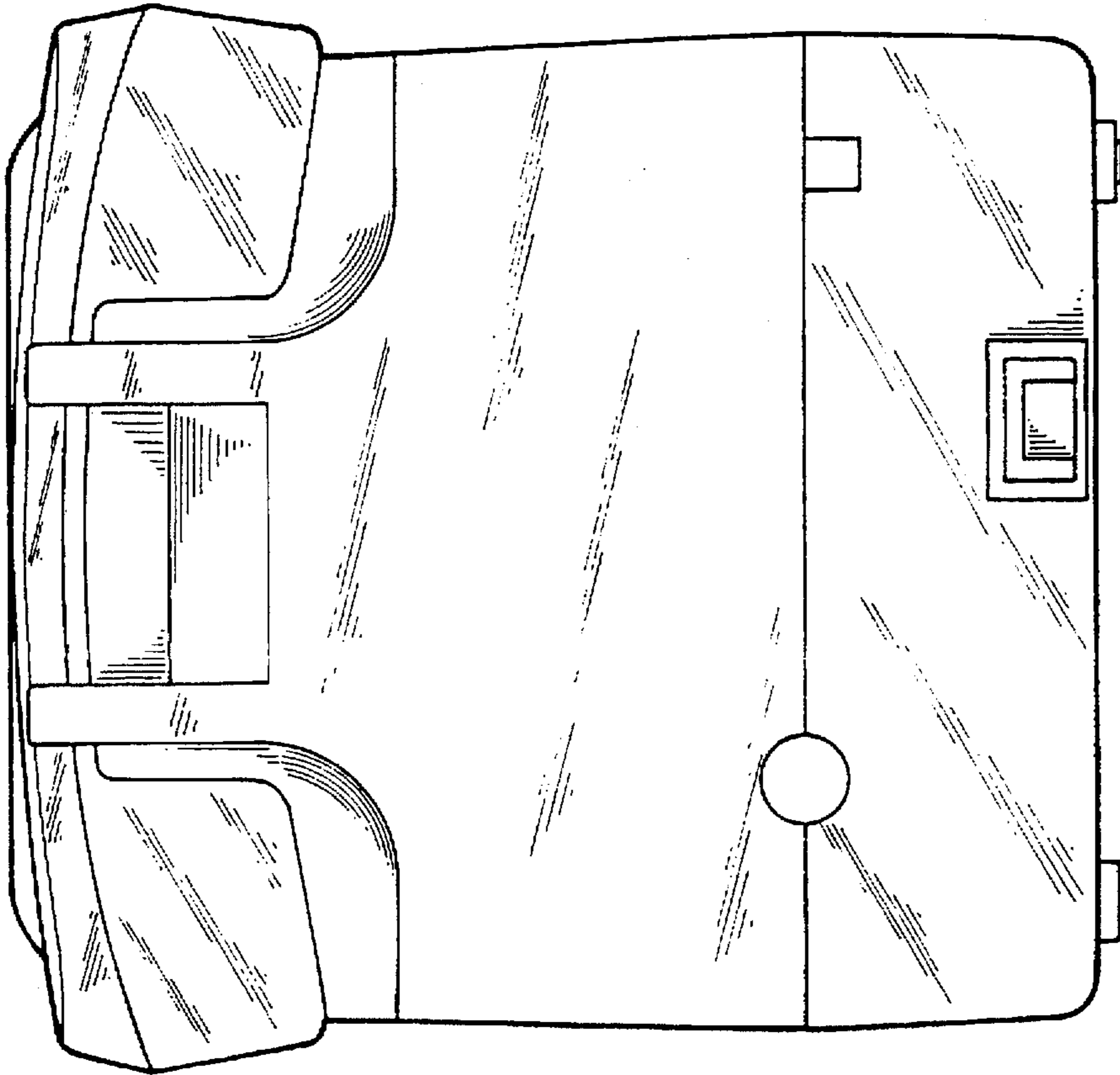


Fig. 3

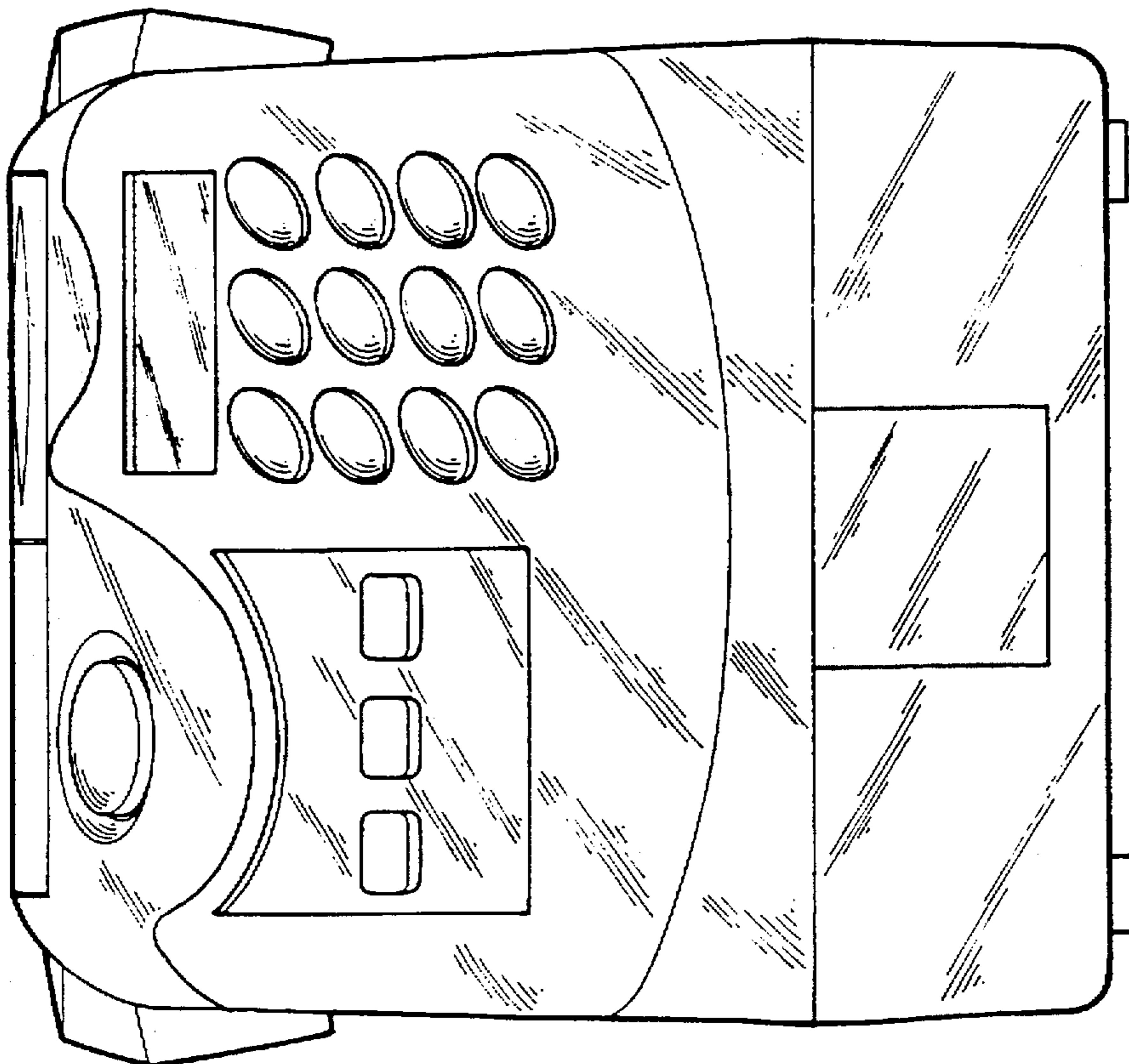


Fig. 2

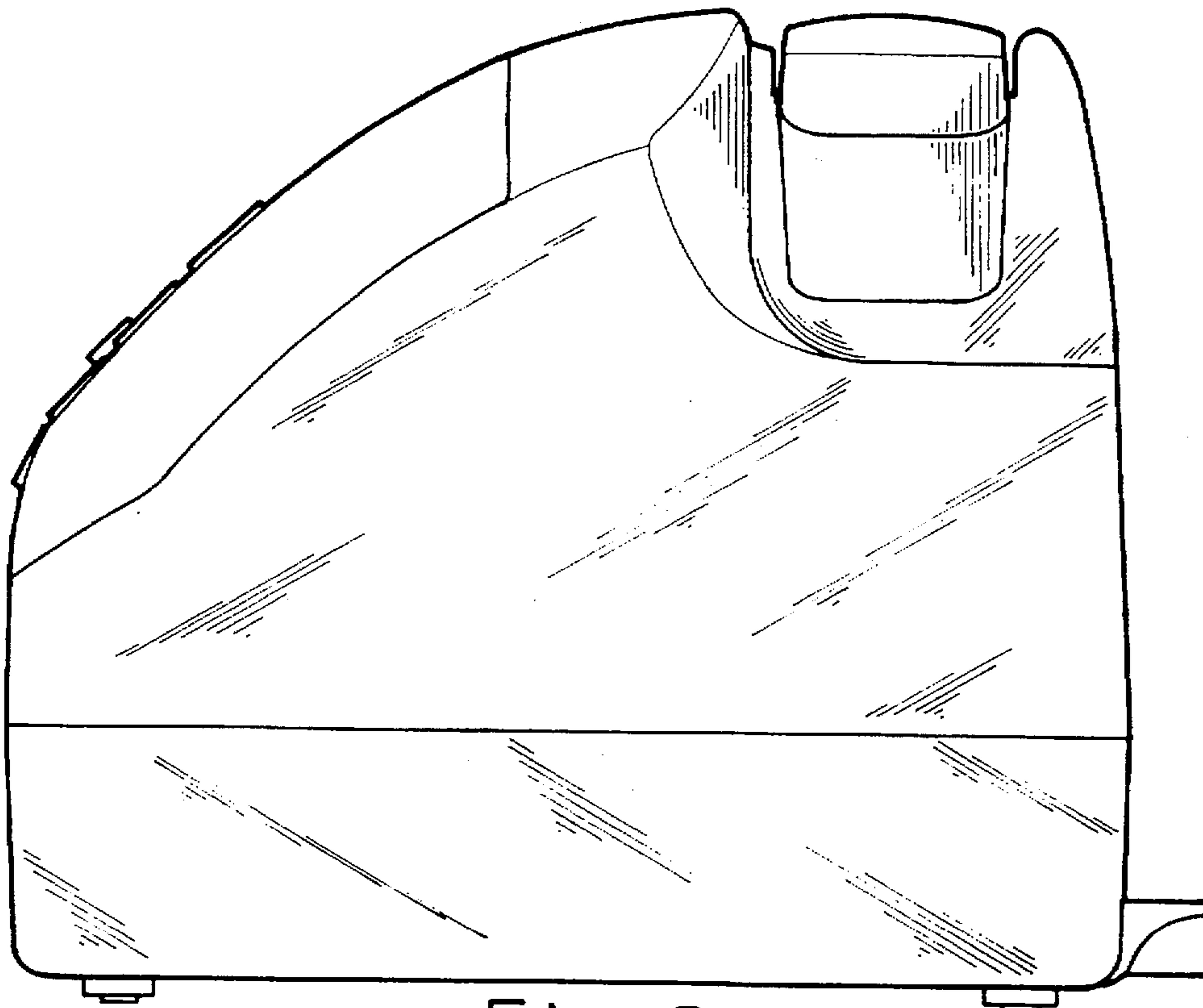


Fig. 5

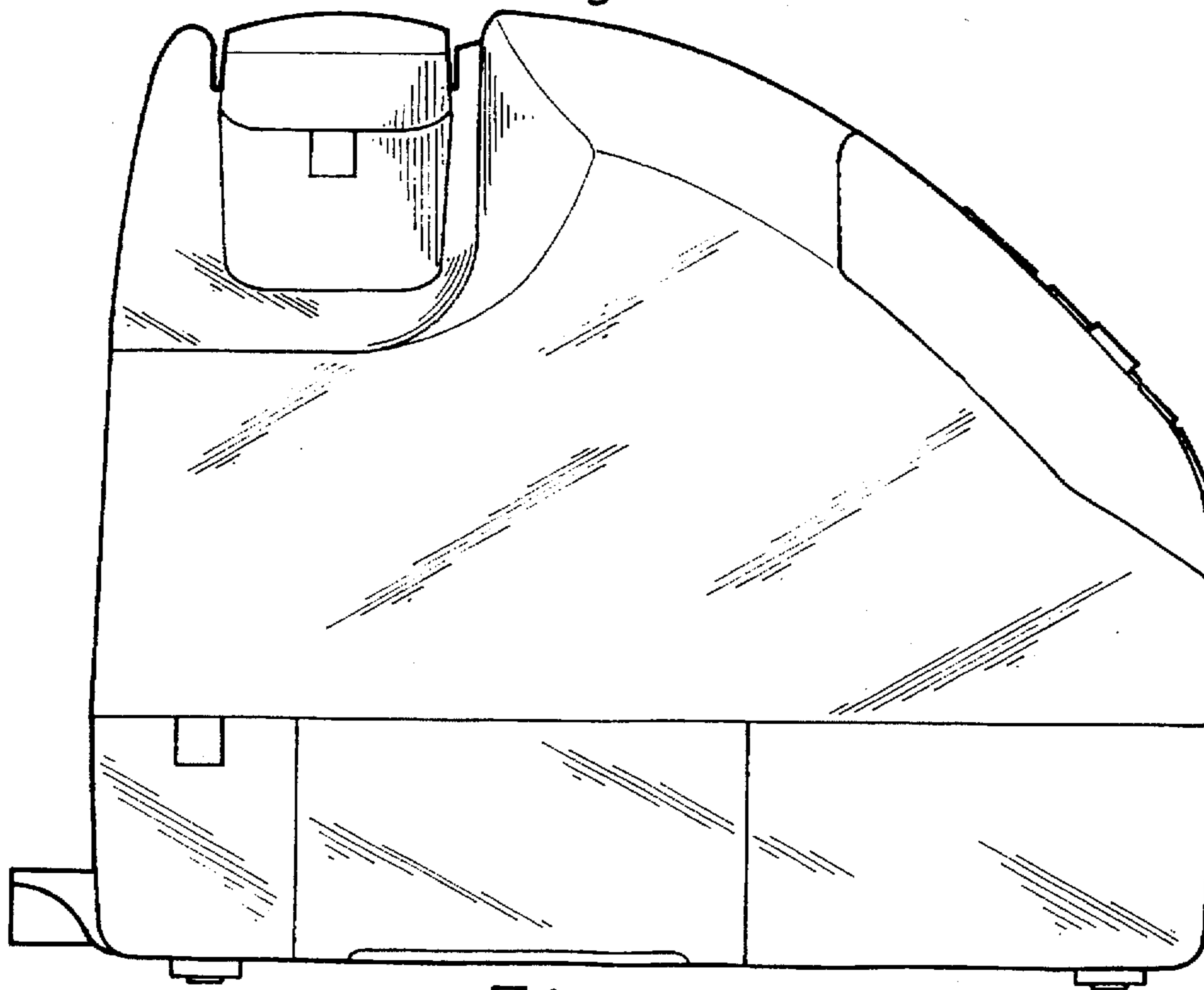


Fig. 4

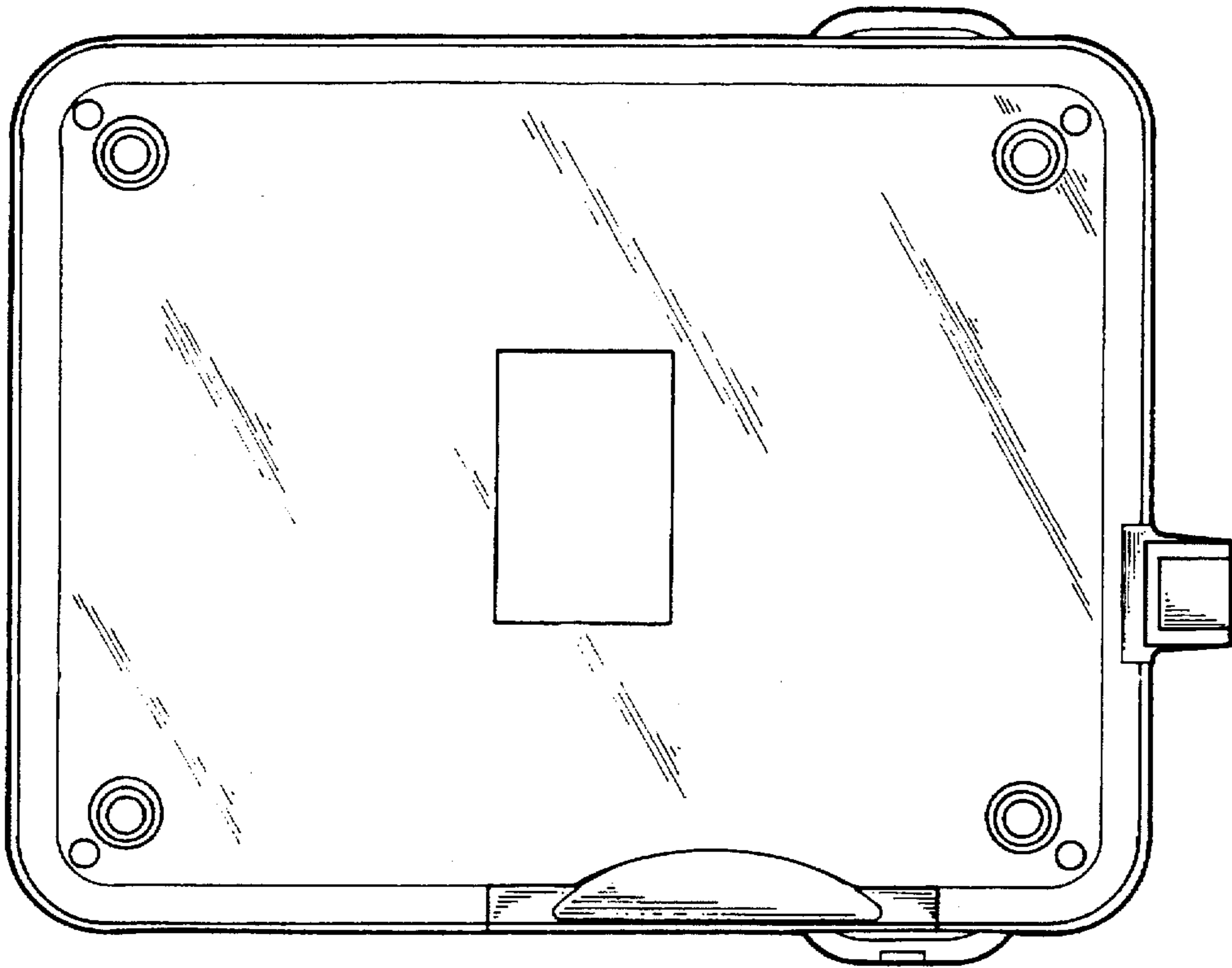


Fig. 7

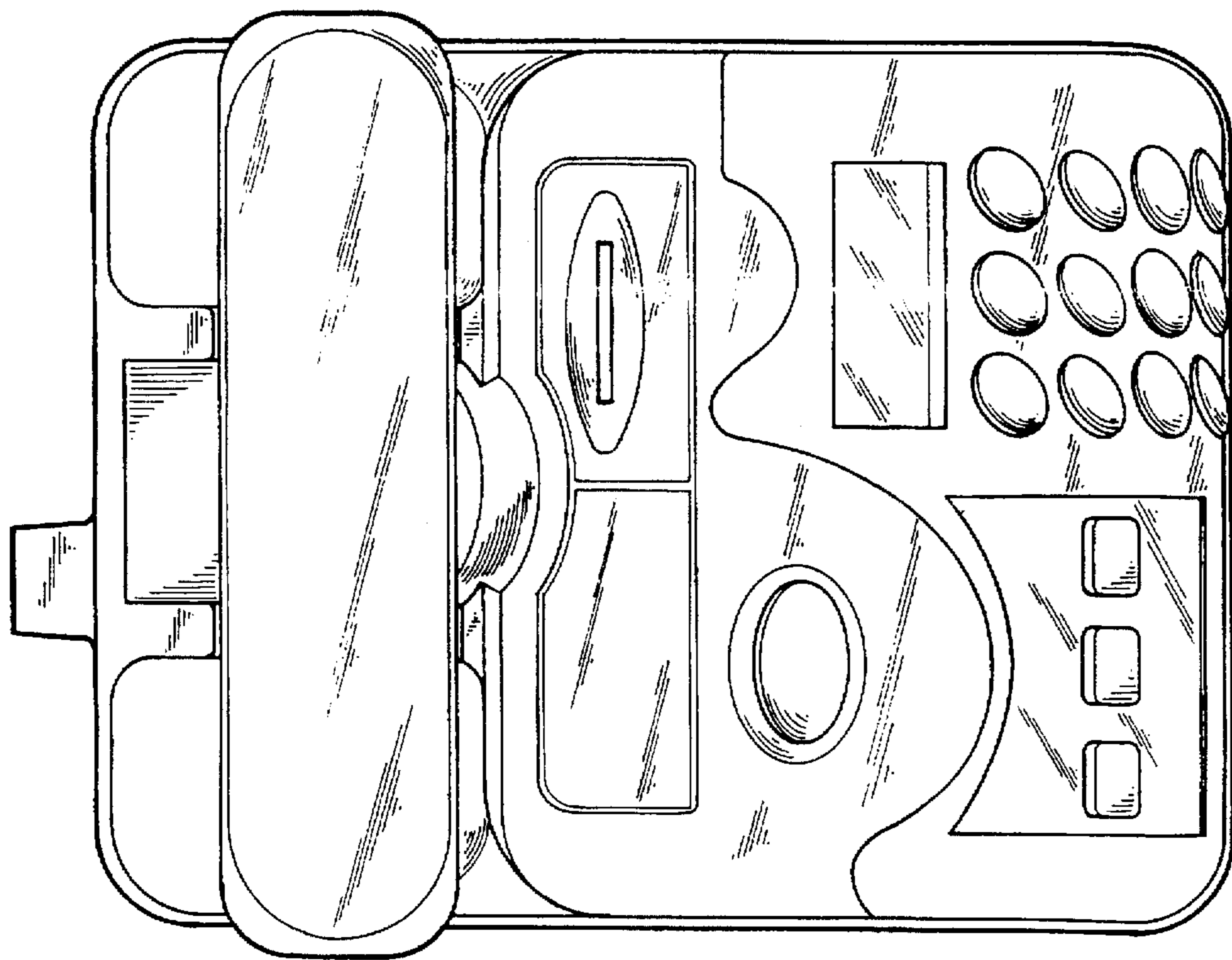


Fig. 6