

US00D408025S

United States Patent [19] Tanimura

[11] Patent Number: **Des. 408,025**

[45] Date of Patent: ****Apr. 13, 1999**

[54] **EXPANSION UNIT FOR AN ELECTRONIC COMPUTER**

[75] Inventor: **Yoichi Tanimura**, Nara-ken, Japan

[73] Assignee: **Sharp Kabushiki Kaisha**, Osaka, Japan

[**] Term: **14 Years**

[21] Appl. No.: **29/086,872**

[22] Filed: **Apr. 22, 1998**

[30] **Foreign Application Priority Data**

Oct. 22, 1997 [JP] Japan 9-72479

[51] **LOC (6) Cl.** **14-02**

[52] **U.S. Cl.** **D14/107**

[58] **Field of Search** D14/100, 107,
D14/109, 114; 361/679-87, 600, 622, 627-36;
200/5 R, 5 A, 6 R, 6 A; D13/184, 199;
360/97.01-99.12; 364/708.1

[56] **References Cited**

U.S. PATENT DOCUMENTS

- D. 332,090 12/1992 Iino D14/107 X
- D. 332,091 12/1992 Iino D14/107
- D. 336,287 6/1993 Mizusugi et al. .

- D. 342,487 12/1993 Iino D14/107
- D. 359,034 6/1995 Kondo D14/107
- D. 389,819 1/1998 Yamazaki D14/114 X
- D. 391,931 3/1998 Iino D14/114 X
- D. 394,247 5/1998 Kondo D14/107

Primary Examiner—M. H. Tung
Attorney, Agent, or Firm—Nixon & Vanderhye

[57] **CLAIM**

The ornamental design for an “expansion unit for an electronic computer”, as shown and described.

DESCRIPTION

FIG. 1 is a top, front and right side perspective view of an expansion unit for an electronic computer according to my design wherein the dashed lines illustrate environmental structure such as an electronic computer with which the expansion unit is employed but which forms no part of the present invention;

FIG. 2 is a top, front and right side perspective view thereof;

FIG. 3 is a top plan view thereof;

FIG. 4 is a front elevational view thereof;

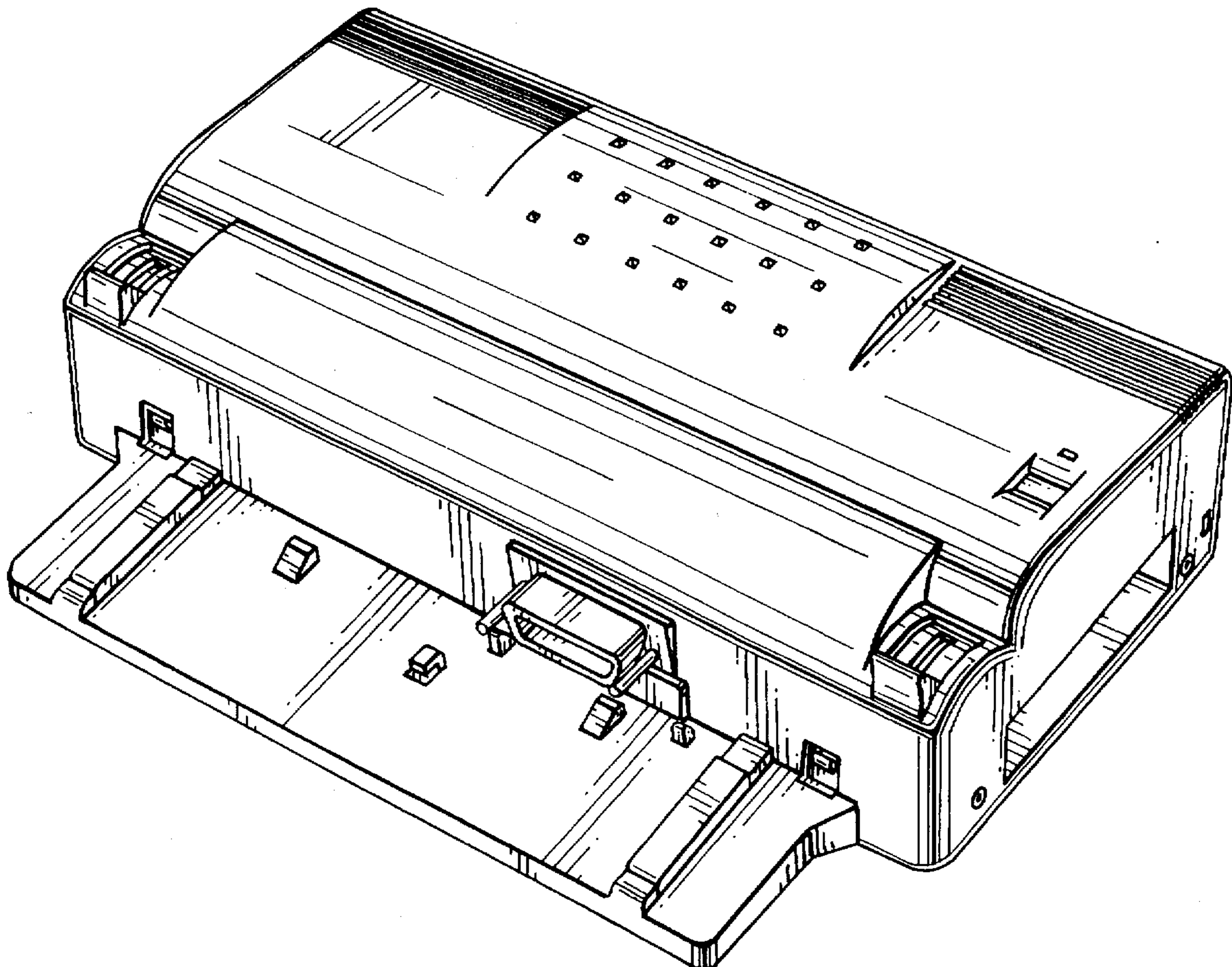
FIG. 5 is a right side elevational view thereof;

FIG. 6 is a rear elevational view thereof;

FIG. 7 is a left side elevational view thereof; and,

FIG. 8 is a bottom plan view.

1 Claim, 6 Drawing Sheets



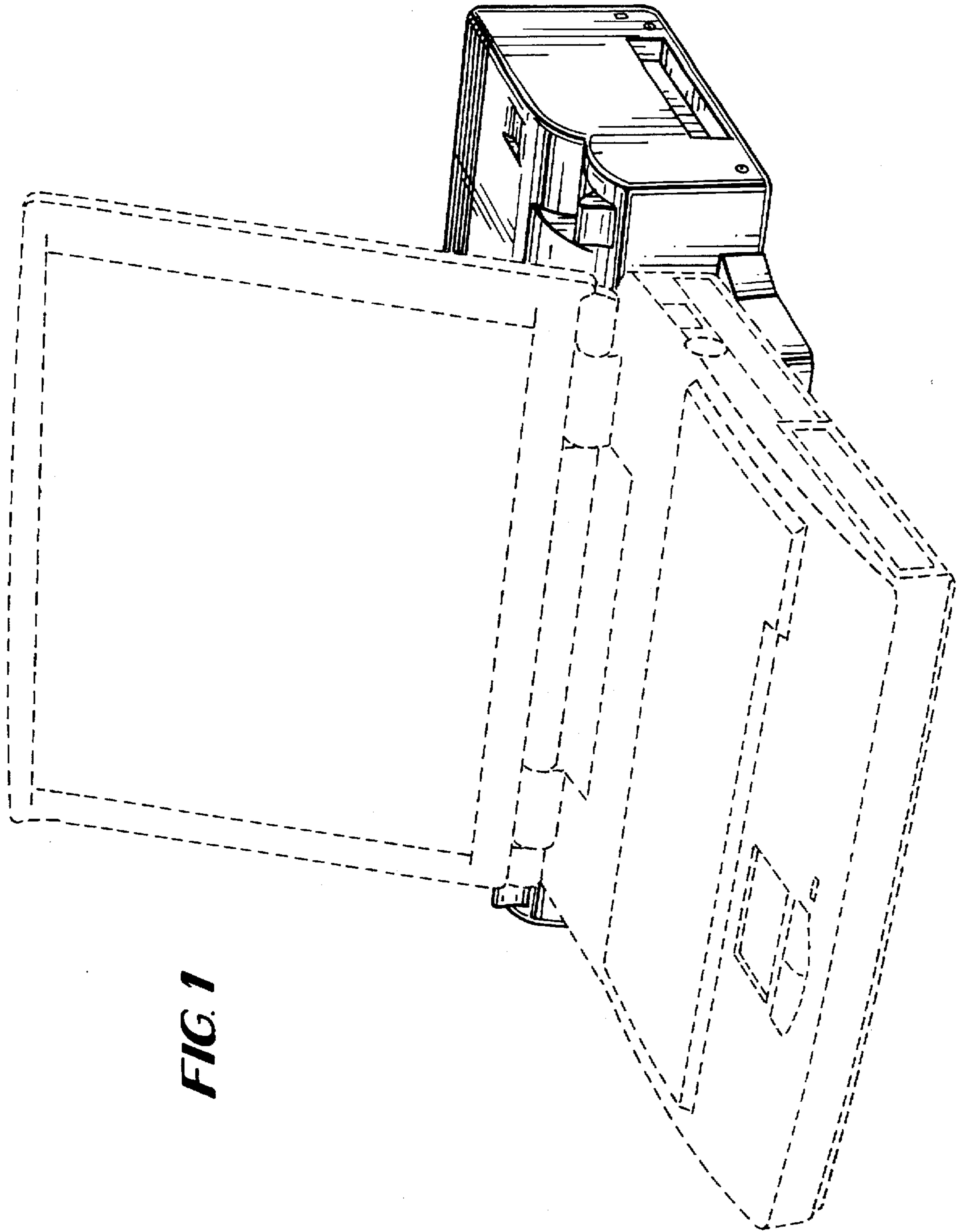


FIG. 1

FIG. 2

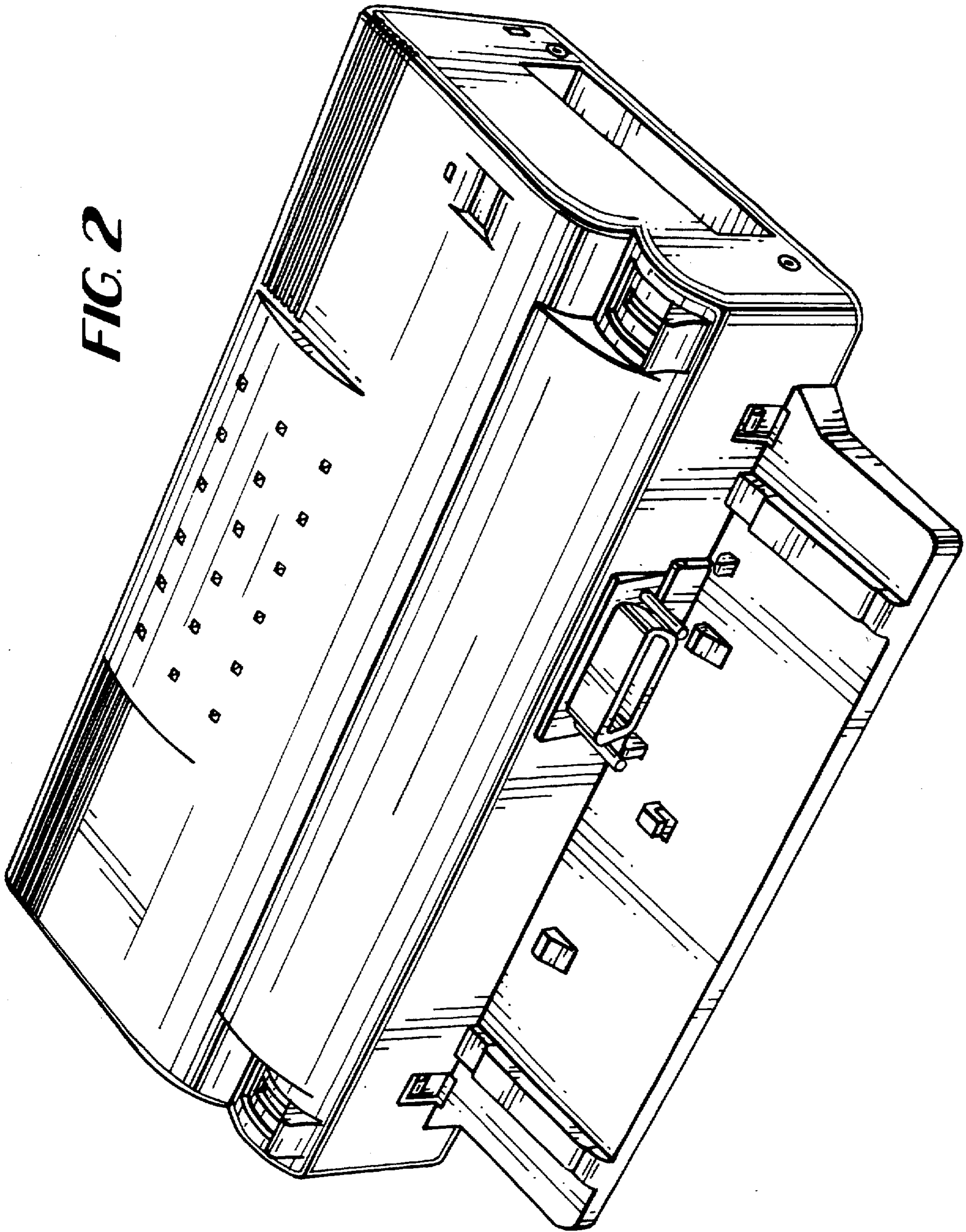


FIG. 3

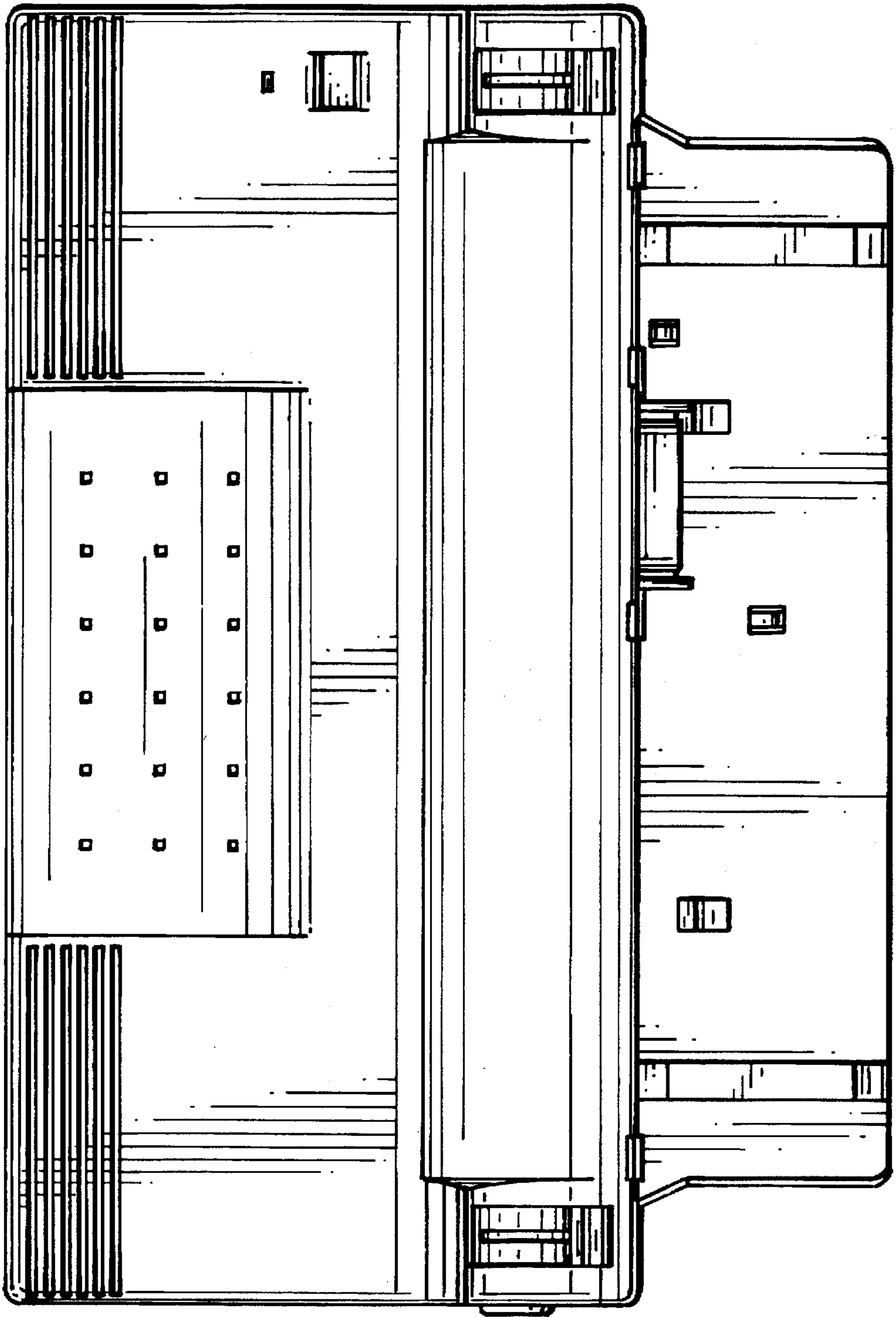


FIG. 4

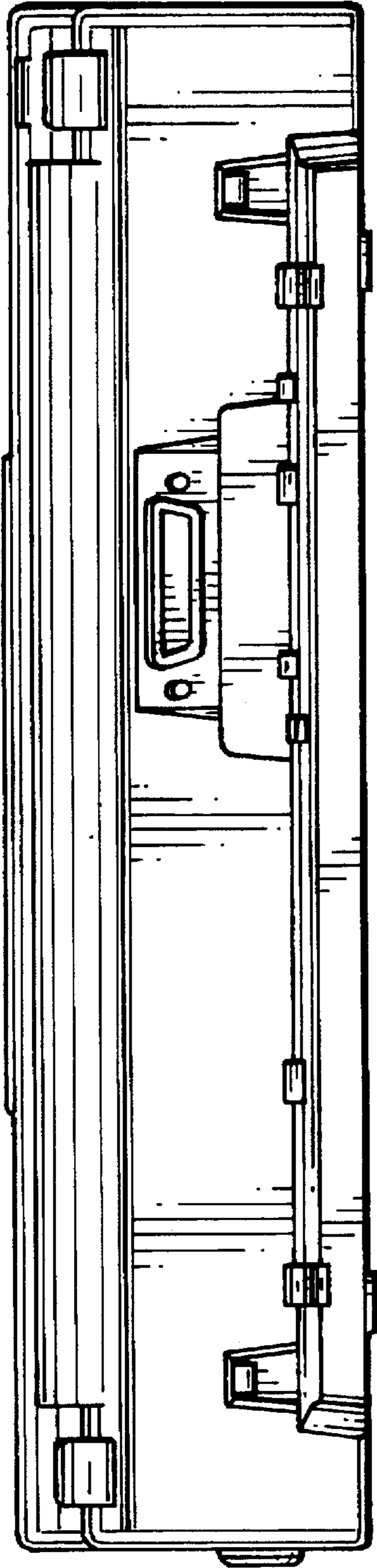


FIG. 5

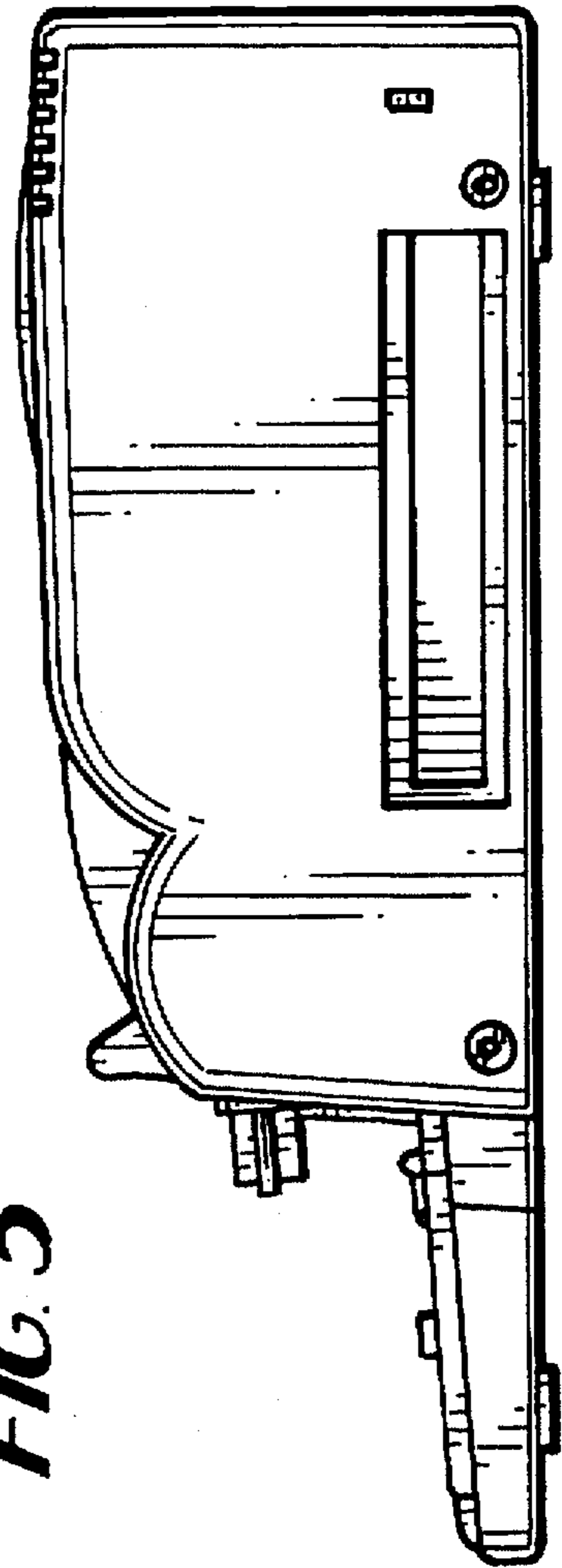


FIG. 6

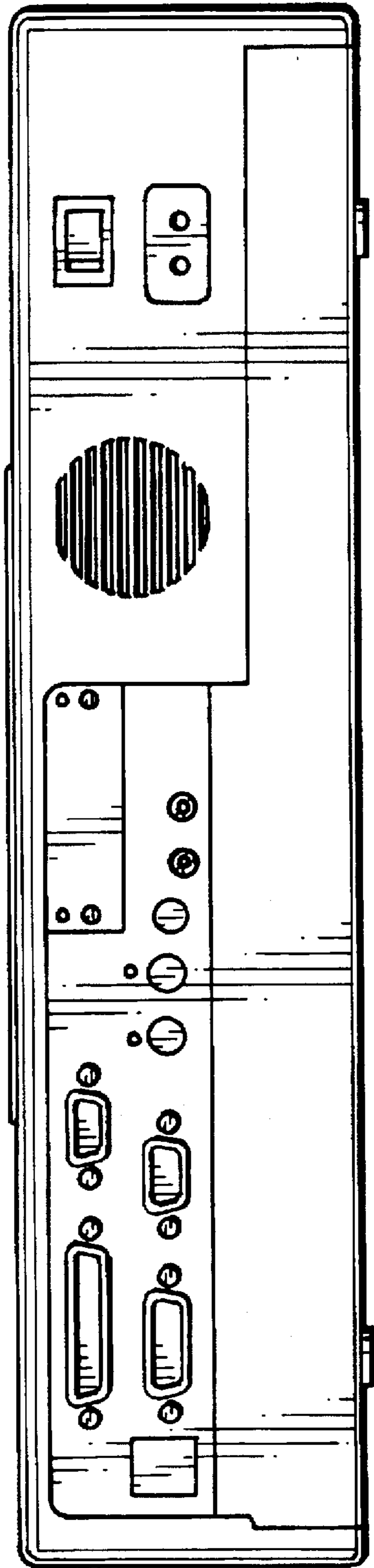
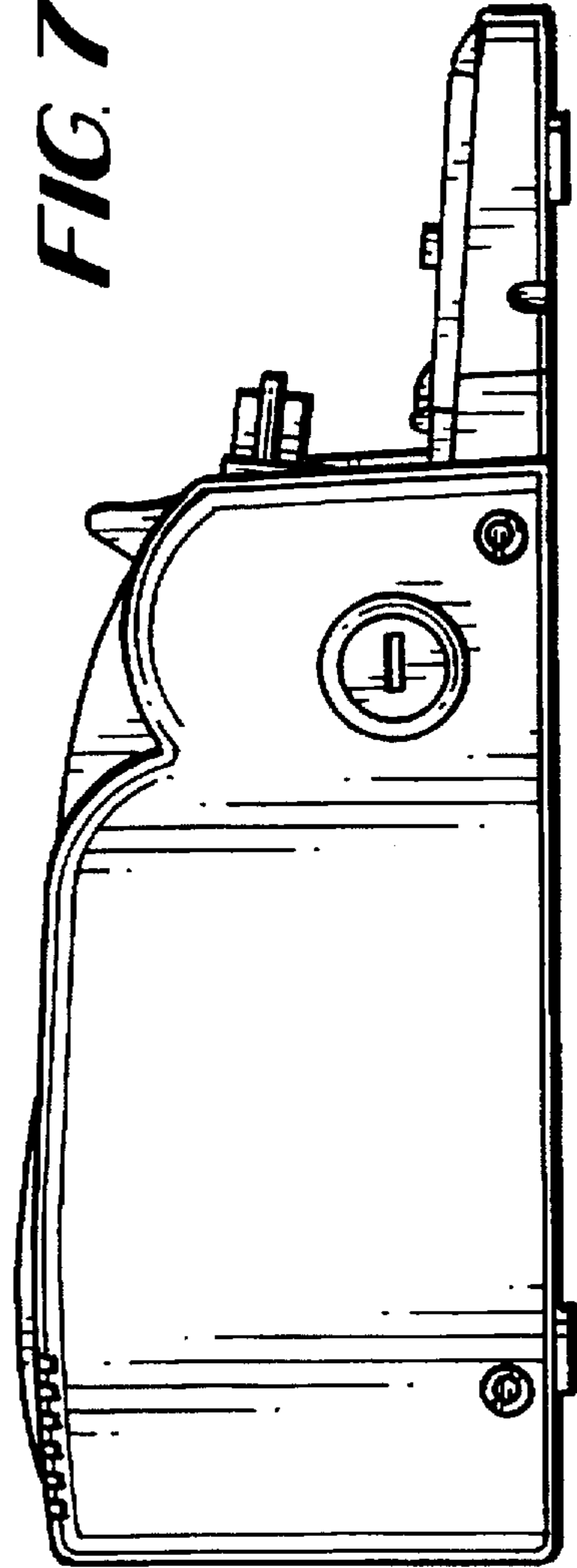


FIG. 7



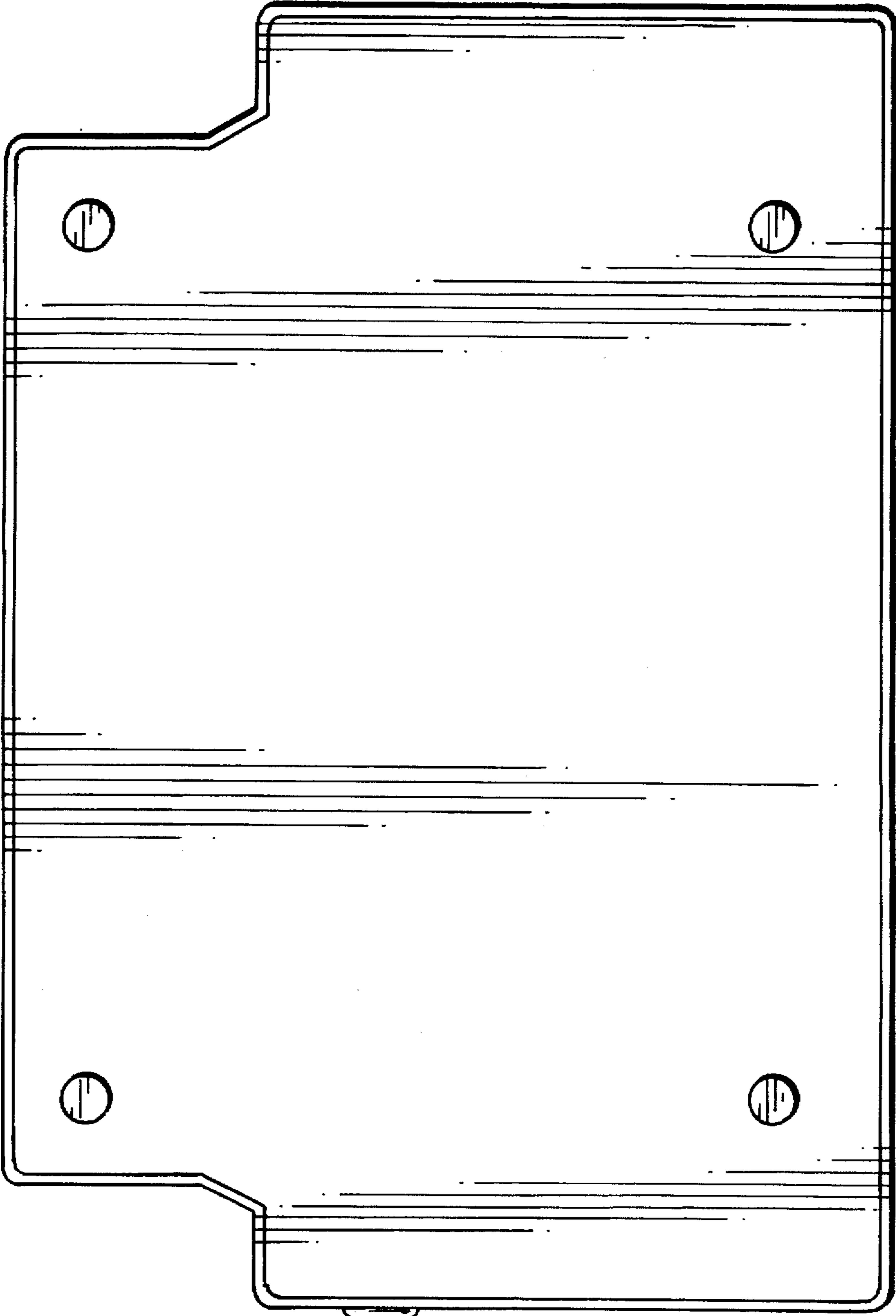


FIG. 8