



US00D408024S

# United States Patent [19]

Wilson, Sr. et al.

[11] Patent Number: **Des. 408,024**

[45] Date of Patent: **\*\*Apr. 13, 1999**

[54] **COMPUTER DATA STORAGE ENCLOSURE**

[75] Inventors: **Robert M. Wilson, Sr.**, Lakeside;  
**Jonathan Guerra**, San Francisco;  
**Maaike Evers**, San Francisco; **Nicholas Brawne**, San Francisco, all of Calif.

[73] Assignee: **Iomega Corporation**, Roy, Utah

[\*\*] Term: **14 Years**

[21] Appl. No.: **29/087,484**

[22] Filed: **May 4, 1998**

### Related U.S. Application Data

[63] Continuation of application No. 29/072,290, Jun. 13, 1997, abandoned.

[51] **LOC (6) Cl.** ..... **14-02**

[52] **U.S. Cl.** ..... **D14/100; D14/107**

[58] **Field of Search** ..... **D14/100, 106, D14/107-109; D13/162, 184, 199; D6/432, 436, 445, 448; 361/680-690**

### [56] References Cited

#### U.S. PATENT DOCUMENTS

D. 309,298 7/1990 Pushelberg ..... D14/107

D. 311,389 10/1990 Festa et al. .... D14/107  
D. 375,728 11/1996 Nicklos et al. .... D14/114  
D. 377,008 12/1996 Nicklos et al. .... D14/106 X

*Primary Examiner*—Freda Nunn  
*Attorney, Agent, or Firm*—Woodcock Washburn Kurtz Mackiewicz & Norris LLP

### [57] CLAIM

The ornamental design for a computer data storage enclosure, as shown and described.

### DESCRIPTION

FIG. 1 is a top perspective view of the computer data storage enclosure;

FIG. 2 is a rear elevation view of the embodiment shown in FIG. 1;

FIG. 3 is a top plan view of the embodiment shown in FIG. 1;

FIG. 4 is a bottom plan view of the embodiment shown in FIG. 1;

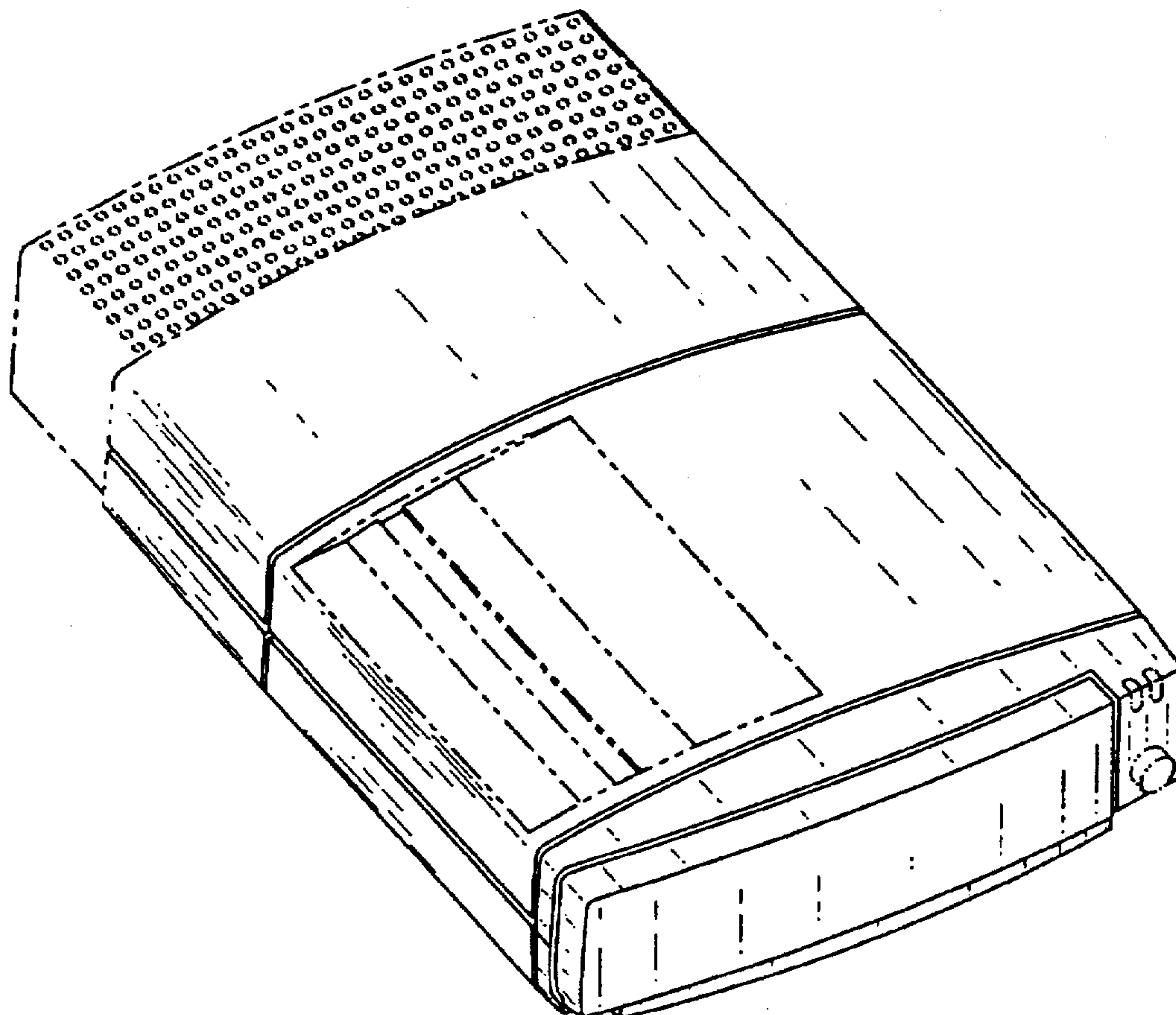
FIG. 5 is a side elevation view of FIG. 1;

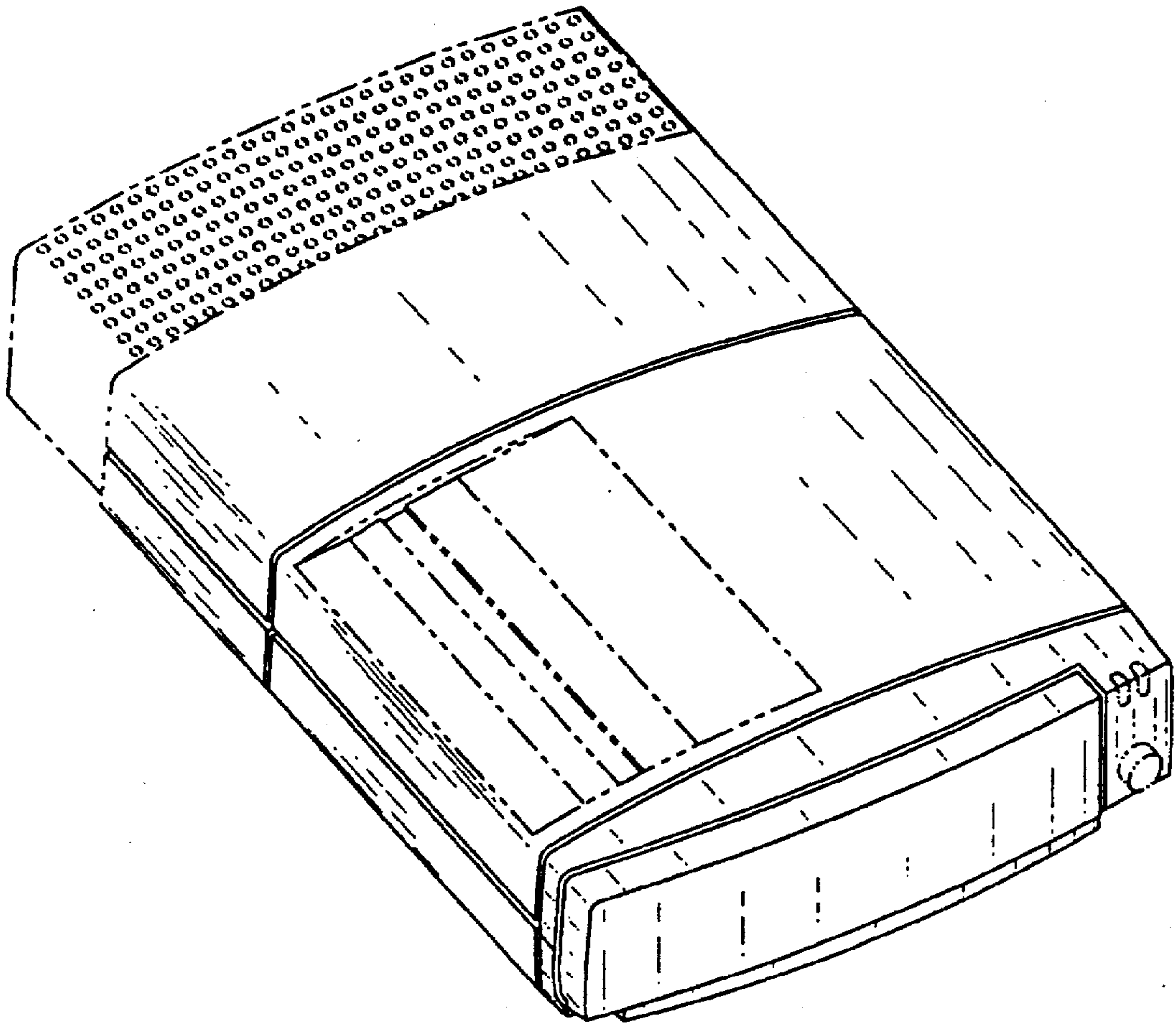
FIG. 6 is another side elevation of FIG. 1; and,

FIG. 7 is a front elevation of FIG. 1.

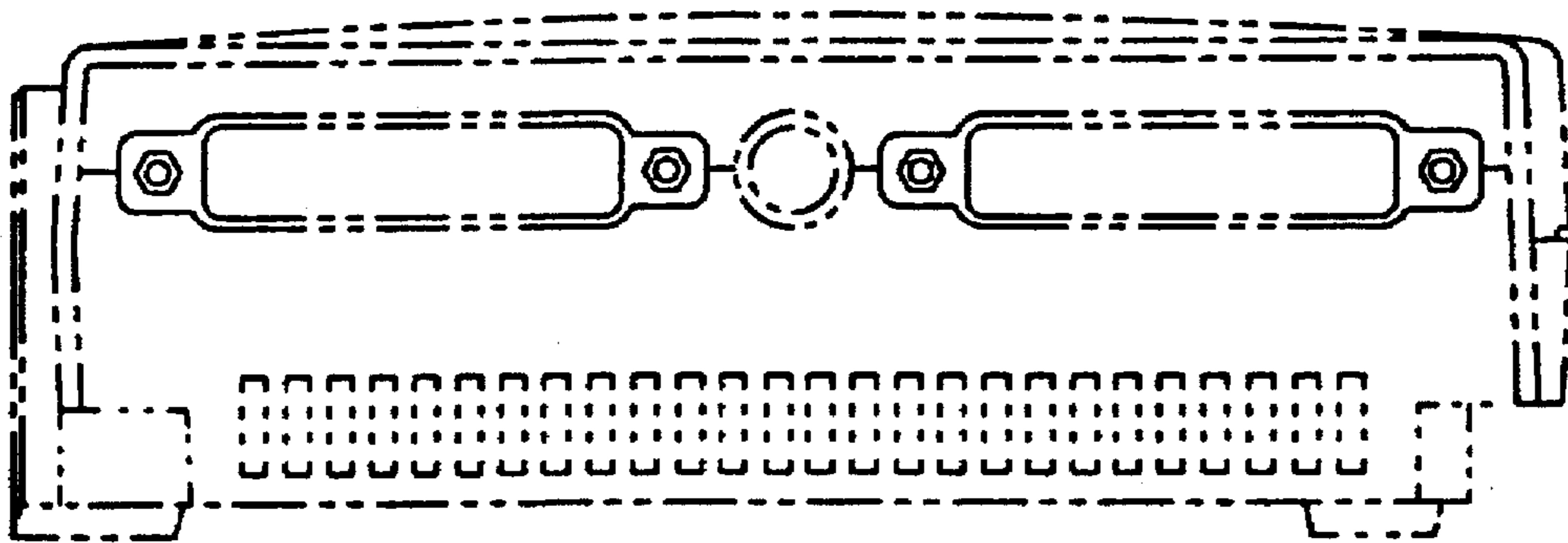
The broken lines are shown in the views for illustrative purposes only and form no part of the claimed design.

**1 Claim, 7 Drawing Sheets**





*FIG. 1*



**FIG. 2**

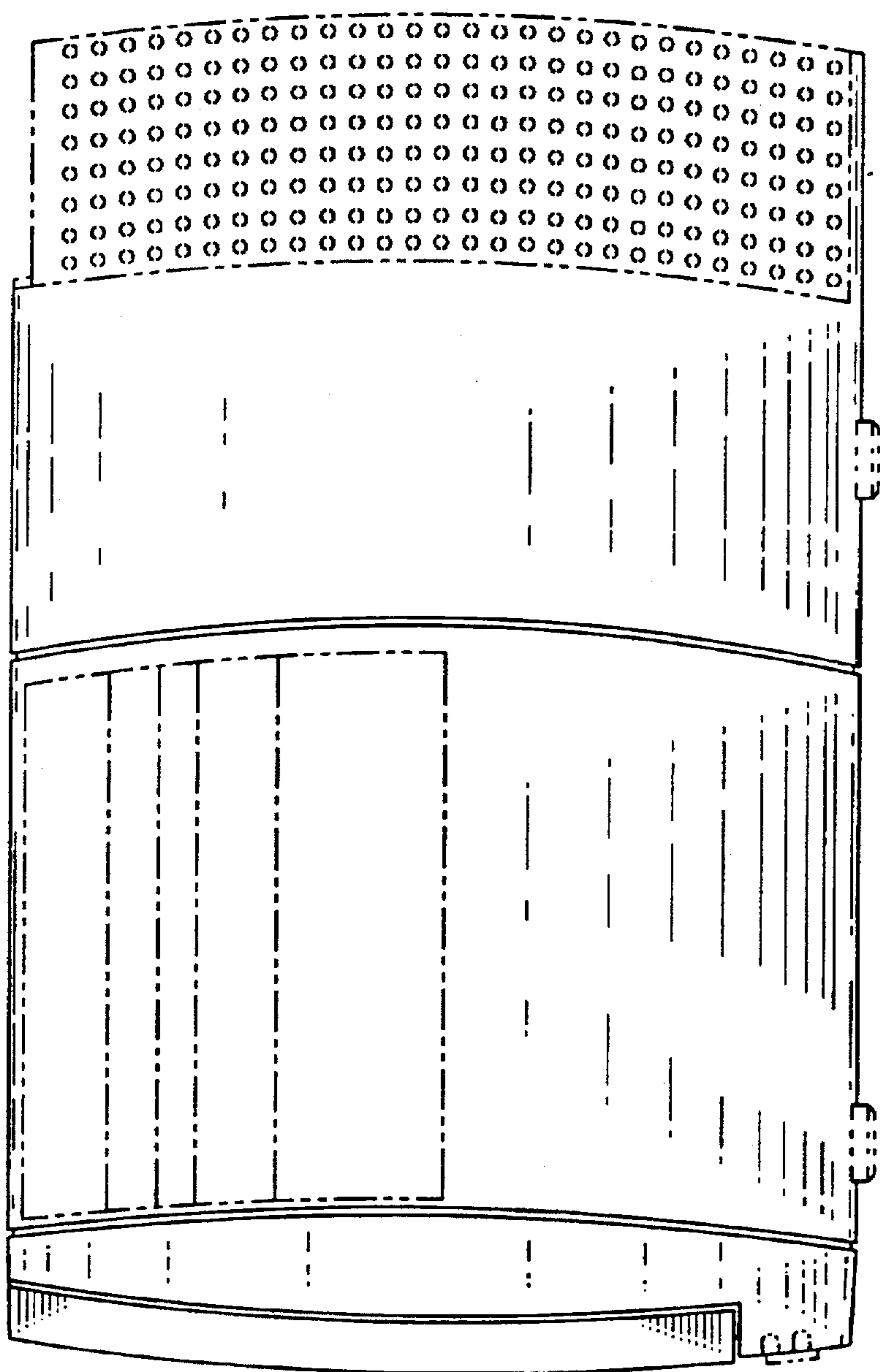


FIG. 3

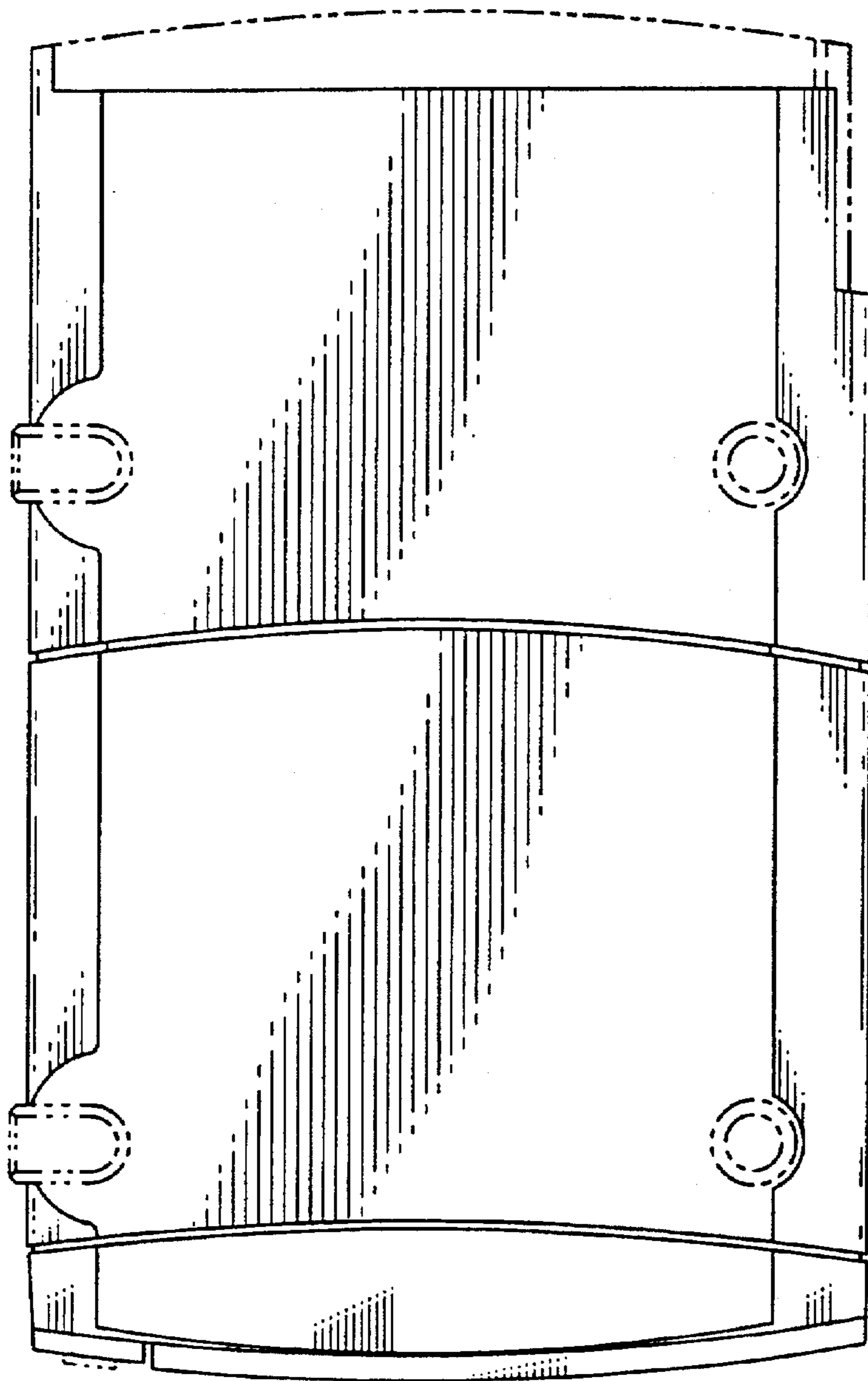
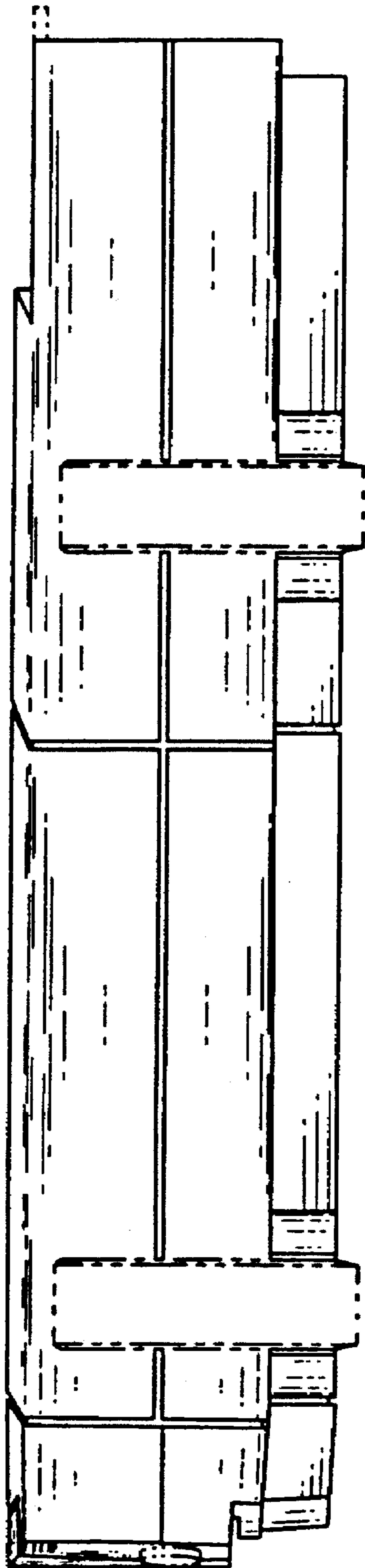
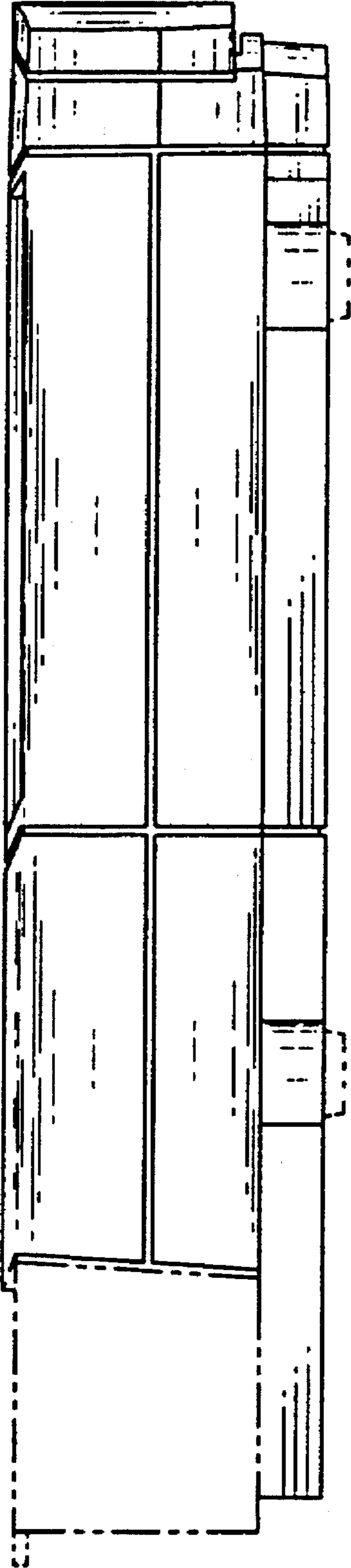


FIG. 4

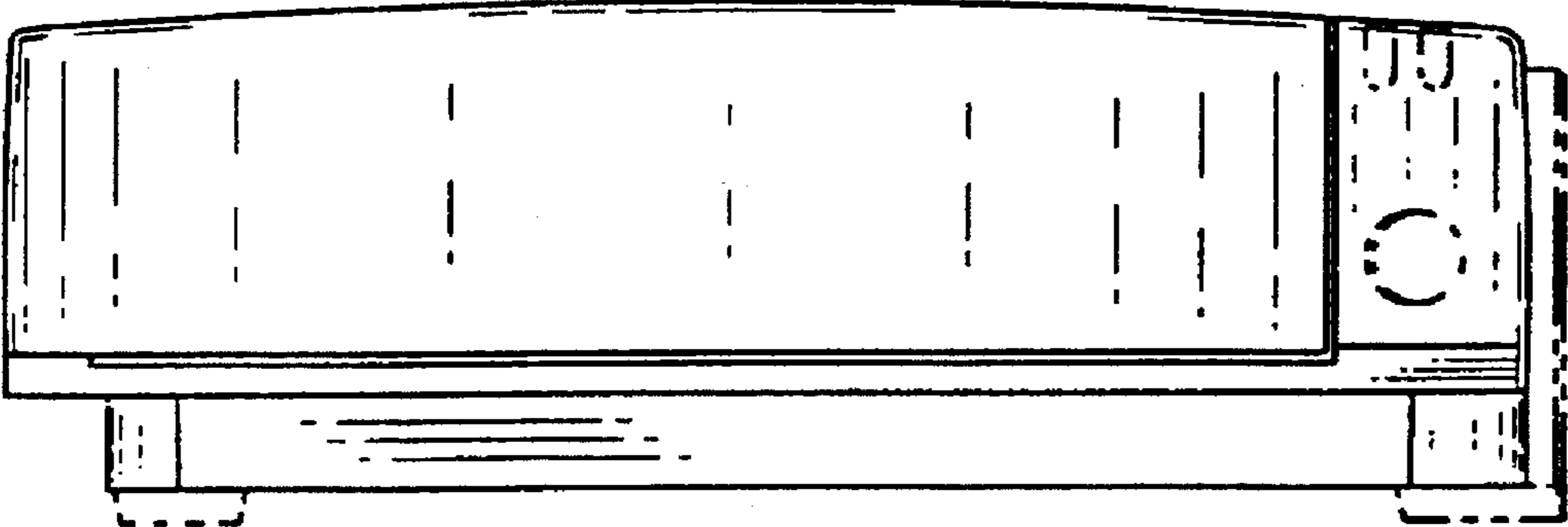




*FIG. 5*



*FIG. 6*



*FIG. 7*