



US00D408017S

United States Patent [19]

Matsuoka

[11] Patent Number: **Des. 408,017**

[45] Date of Patent: ****Apr. 13, 1999**

[54] **REMOTE CONTROLLER**

[75] Inventor: **Yoshimichi Matsuoka**, Tokyo, Japan

[73] Assignee: **Sony Corporation**, Tokyo, Japan

[**] Term: **14 Years**

[21] Appl. No.: **29/079,495**

[22] Filed: **Nov. 17, 1997**

[30] **Foreign Application Priority Data**

May 21, 1997 [JP] Japan 9-55004

[51] **LOC (6) Cl.** **13-03**

[52] **U.S. Cl.** **D13/168**

[58] **Field of Search** D13/162, 168;
D21/324; D14/174, 191, 218; 340/825,
825.22, 825.23, 825.24, 825.25, 825.31,
825.32, 825.36, 825.58, 825.69, 825.72;
123/179.2; 341/176

[56] **References Cited**

U.S. PATENT DOCUMENTS

D. 338,011 8/1993 Carter et al. D14/218

D. 352,931 11/1994 Tsuji D13/168
D. 392,944 3/1998 Issa D13/168
D. 393,629 4/1998 Tsui D13/168

Primary Examiner—Brian N. Vinson
Attorney, Agent, or Firm—Foley & Lardner

[57] **CLAIM**

The ornamental design for a remote controller, as shown and described.

DESCRIPTION

FIG. 1 is a perspective view of a remote controller showing my new design;
FIG. 2 is a top plan view thereof;
FIG. 3 is a left side elevational view thereof, a right side elevational view thereof being a mirror image;
FIG. 4 is a front elevational view thereof;
FIG. 5 is a bottom plan view thereof; and,
FIG. 6 is a rear elevational view thereof.

1 Claim, 3 Drawing Sheets

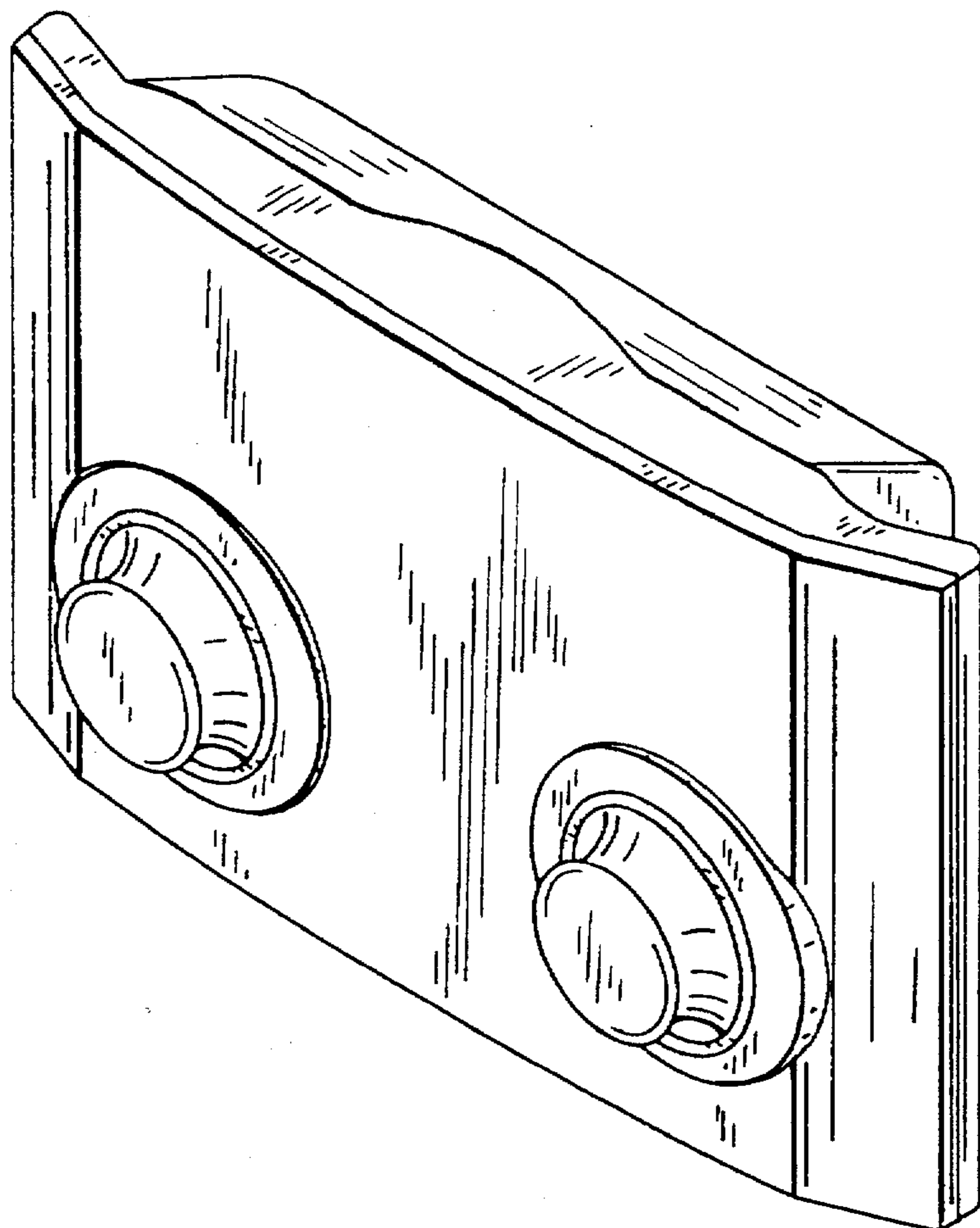


FIG. 1

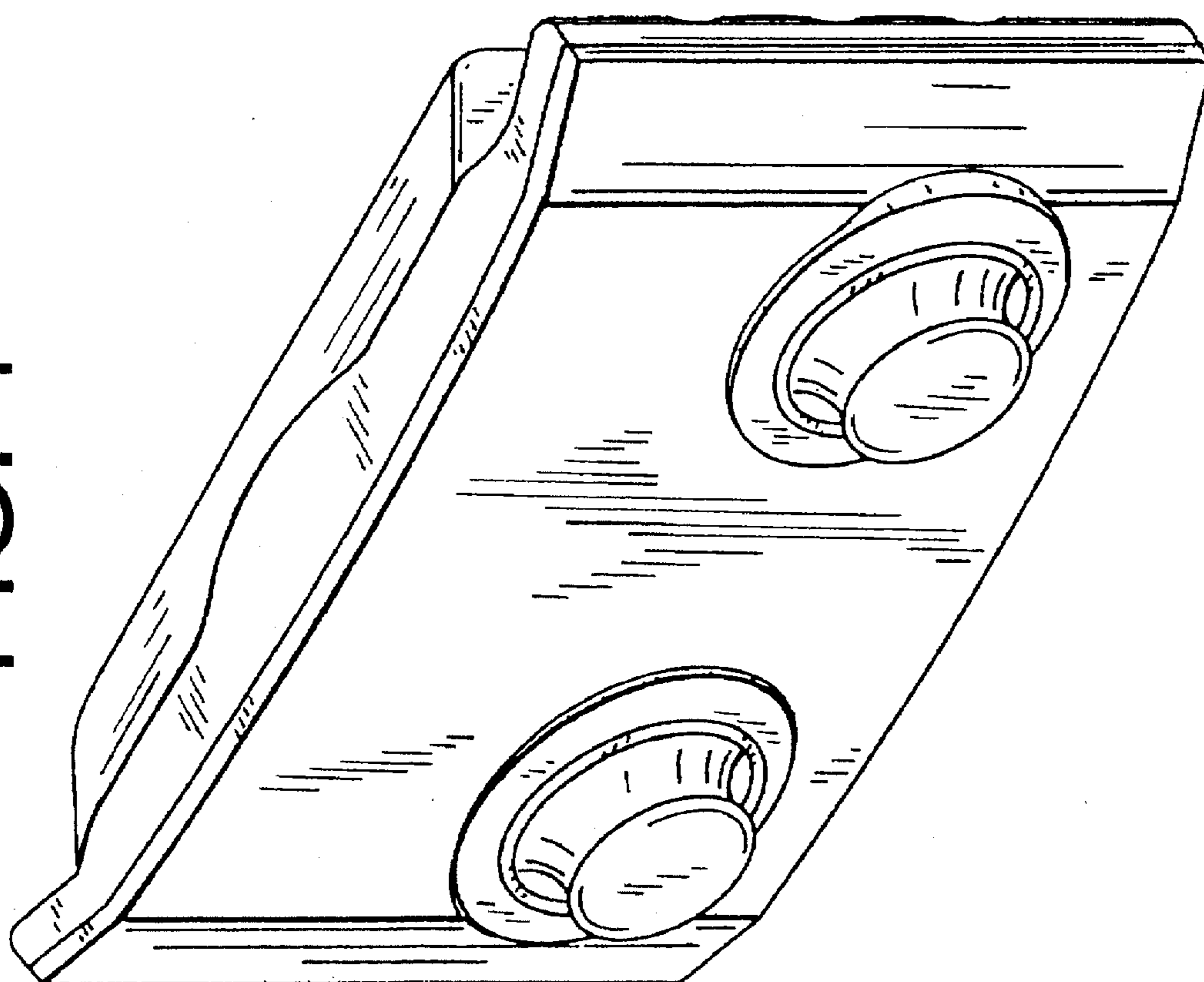


FIG. 2

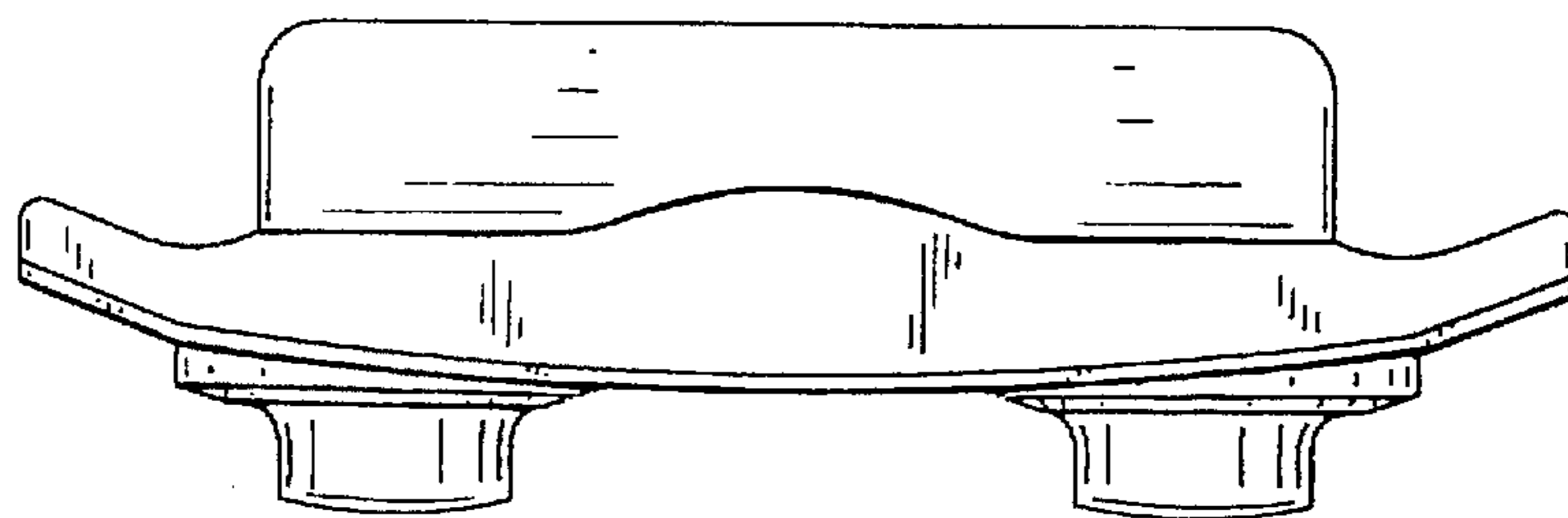


FIG. 3

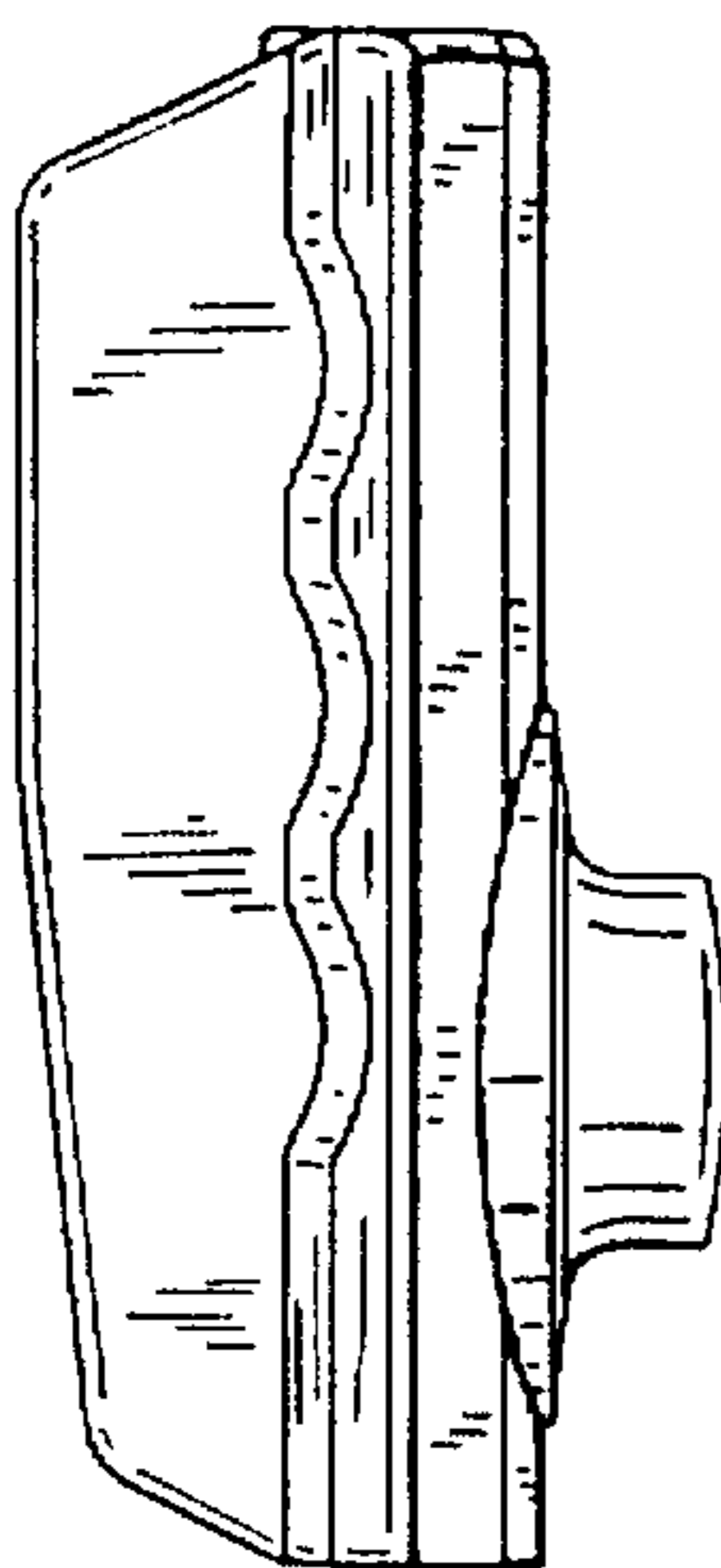


FIG. 4

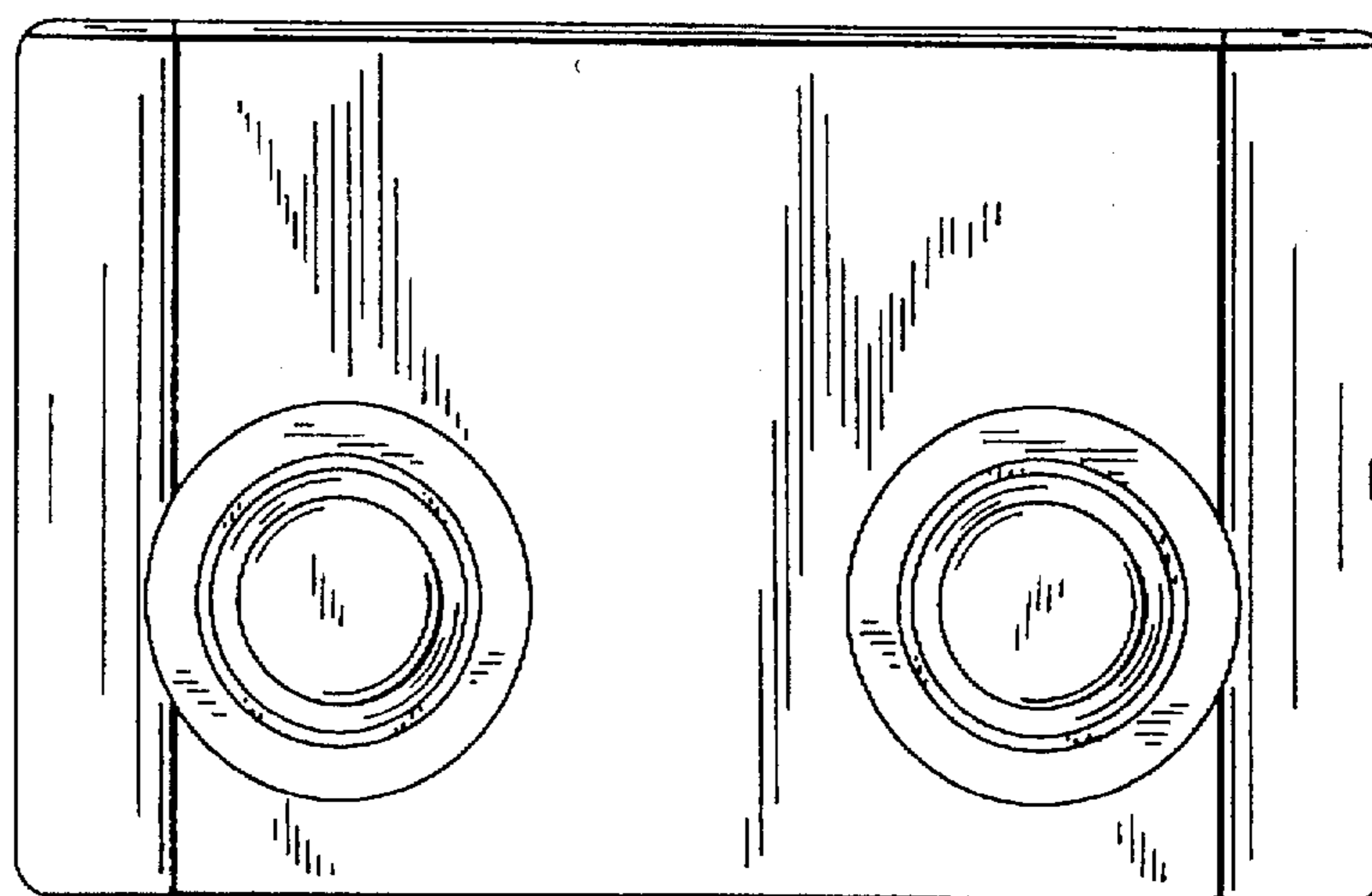


FIG. 5

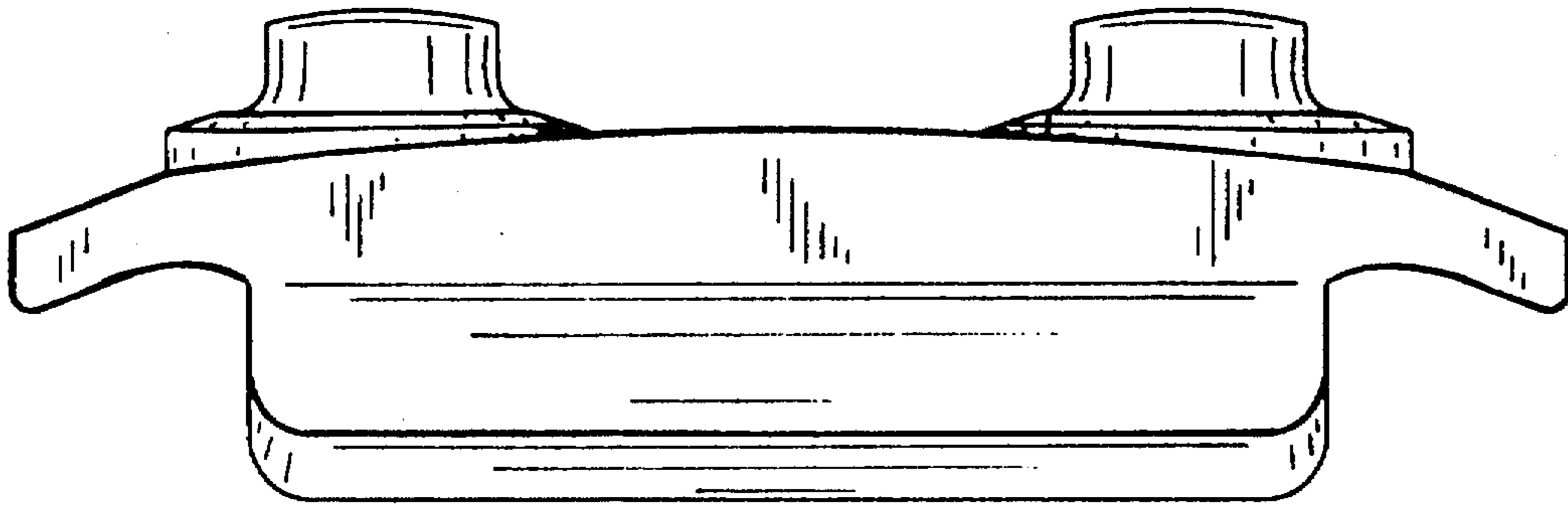


FIG. 6

