



US00D408012S

United States Patent [19]
Brownlie

[11] **Patent Number: Des. 408,012**

[45] **Date of Patent: **Apr. 13, 1999**

[54] **HUB**

[75] **Inventor: Alan Waddell Brownlie, Skaneateles, N.Y.**

[73] **Assignee: The Whitaker Corporation, Wilmington, Del.**

[**] **Term: 14 Years**

[21] **Appl. No.: 29/073,832**

[22] **Filed: Jun. 27, 1997**

[51] **LOC (6) Cl. 13-03**

[52] **U.S. Cl. D13/147; D13/164**

[58] **Field of Search D13/146, 147, D13/162, 164, 162.1; 361/826, 827; 439/74; 370/400**

[56] **References Cited**

U.S. PATENT DOCUMENTS

D. 366,455	1/1996	Cheng	D13/147
D. 380,447	7/1997	Chen et al.	D13/164
5,645,434	7/1997	Leung	439/74

Primary Examiner—Joel Sincavage
Attorney, Agent, or Firm—Salvatore Anastasi

[57] **CLAIM**

The ornamental design for a hub, as shown and described.

DESCRIPTION

FIG. 1 is a top plan view of a hub showing my new design, the enclosure member being removed for a complete disclosure the base member;

FIG. 2 is a front elevational view thereof;

FIG. 3 is a rear elevational view thereof;

FIG. 4 is a bottom plan view thereof;

FIG. 5 is a right side elevational view thereof;

FIG. 6 is a left side elevational view thereof;

FIG. 7 is a rear elevational view of a hub, the base member being removed for a clear disclosure the enclosure member;

FIG. 8 is a top plan view thereof;

FIG. 9 is a front elevational view thereof;

FIG. 10 is a bottom plan view thereof;

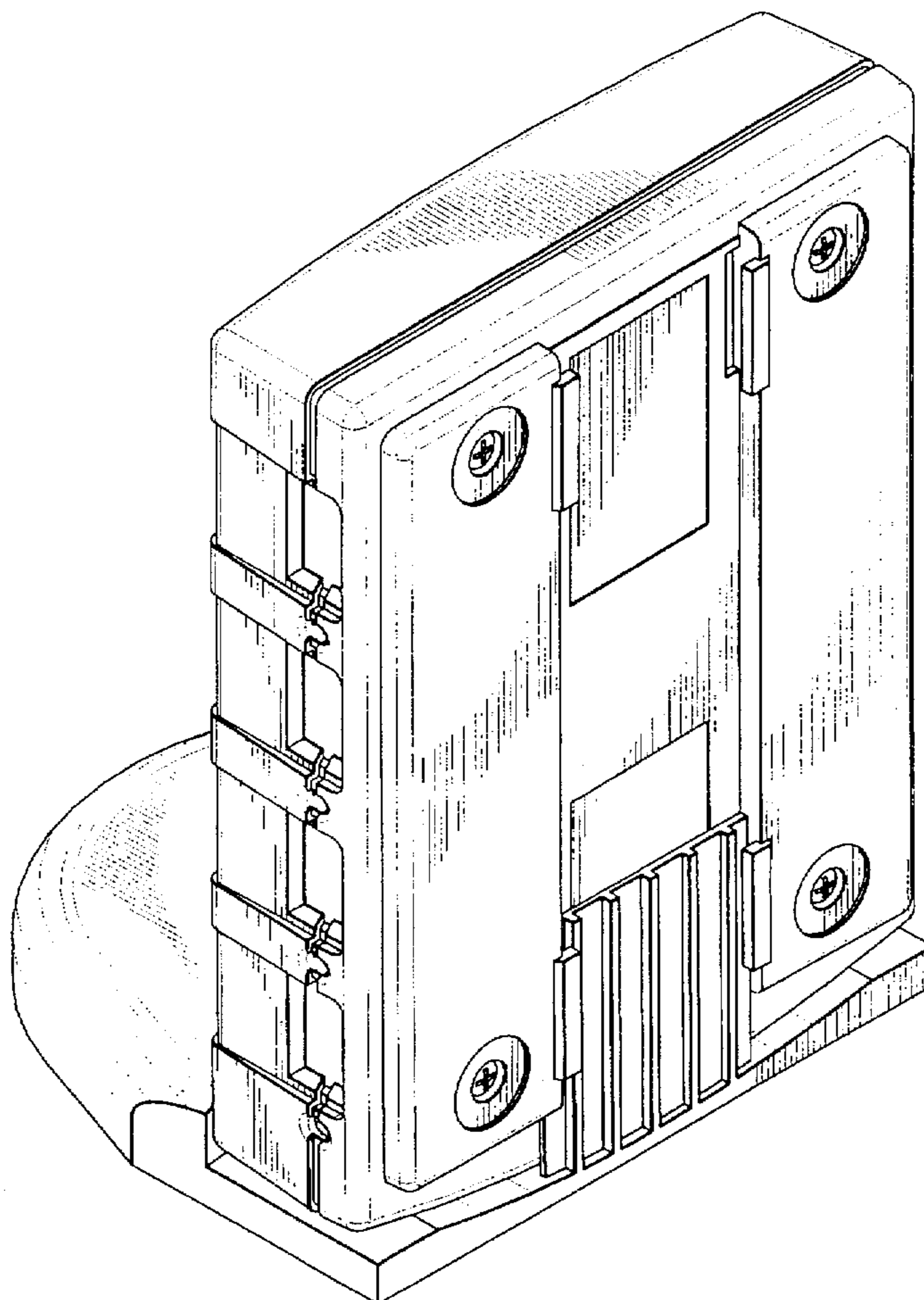
FIG. 11 is a right side elevational view thereof;

FIG. 12 is a left side elevational view thereof;

FIG. 13 is a perspective view of the hub seen from the rear and upper right of the base showing the enclosure member assembled to the base with its front surface downward; and,

FIG. 14 is a perspective view of the hub seen from the rear and upper right of the base showing the enclosure member assembled to the base with its front surface upward.

1 Claim, 8 Drawing Sheets



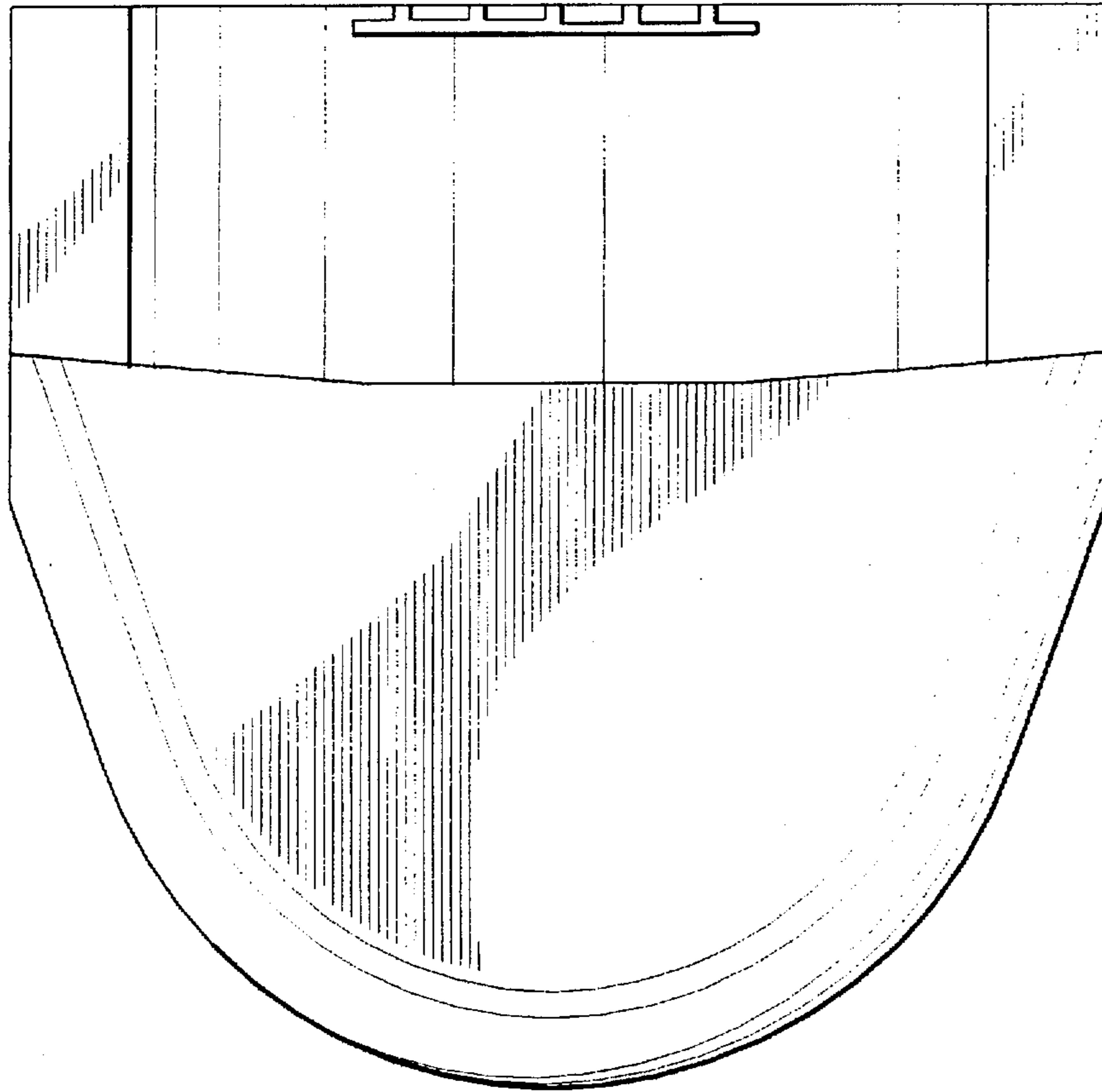


FIG. 1

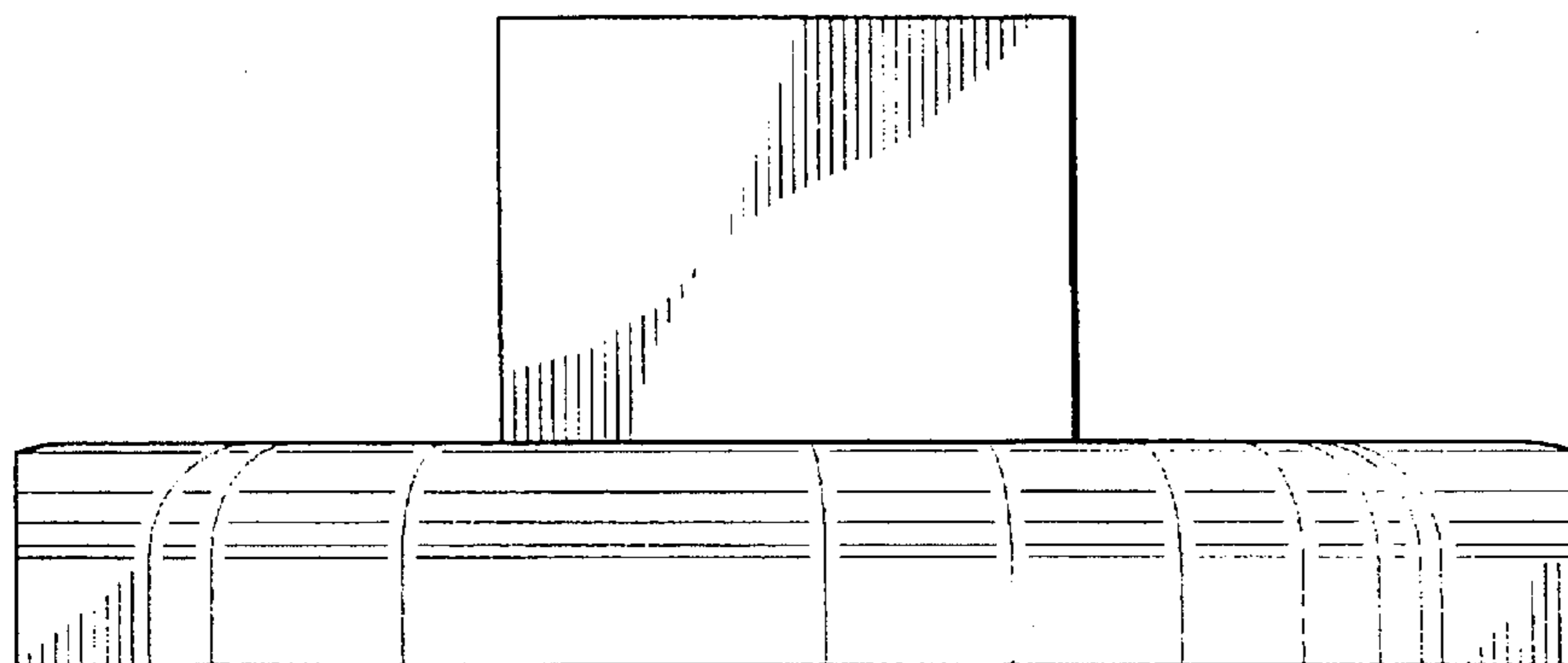


FIG. 2

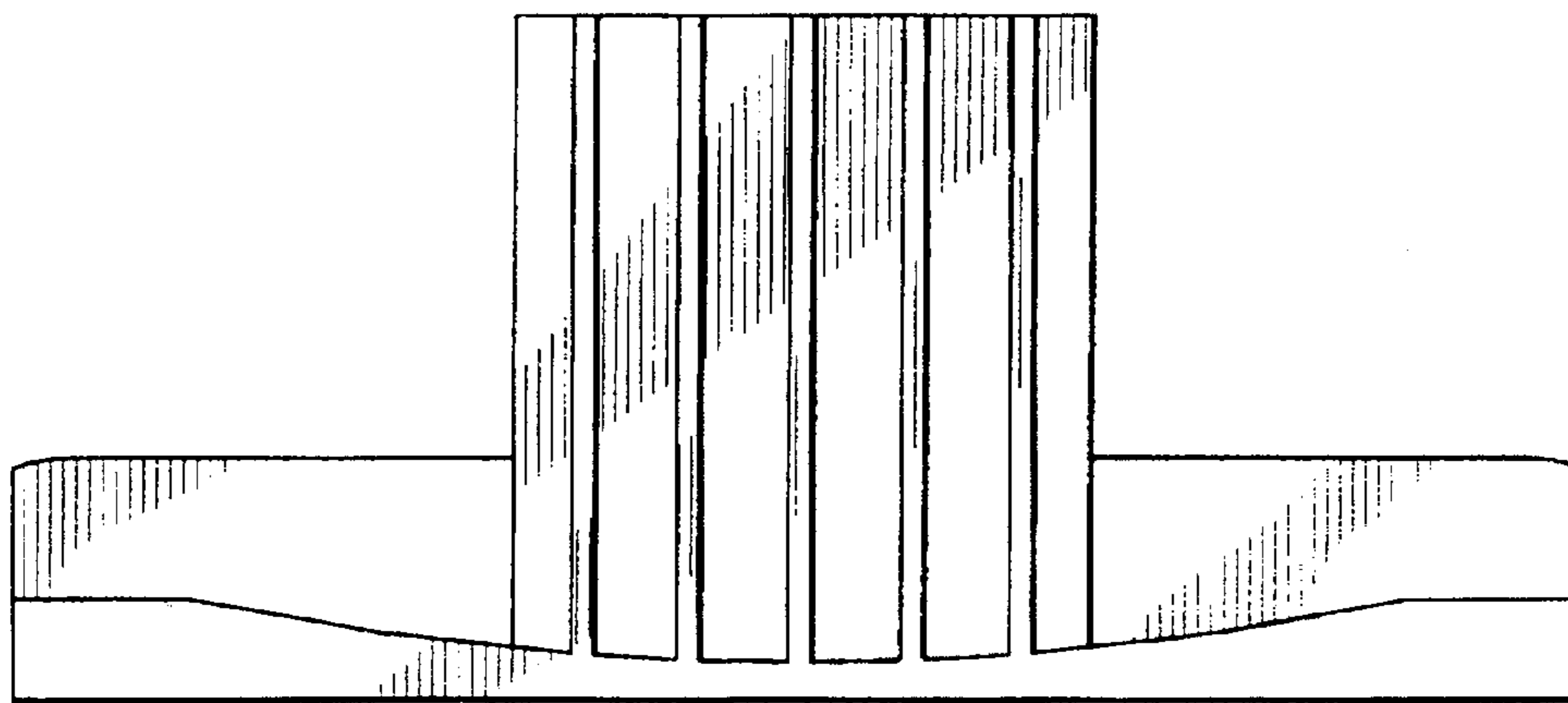


FIG. 3

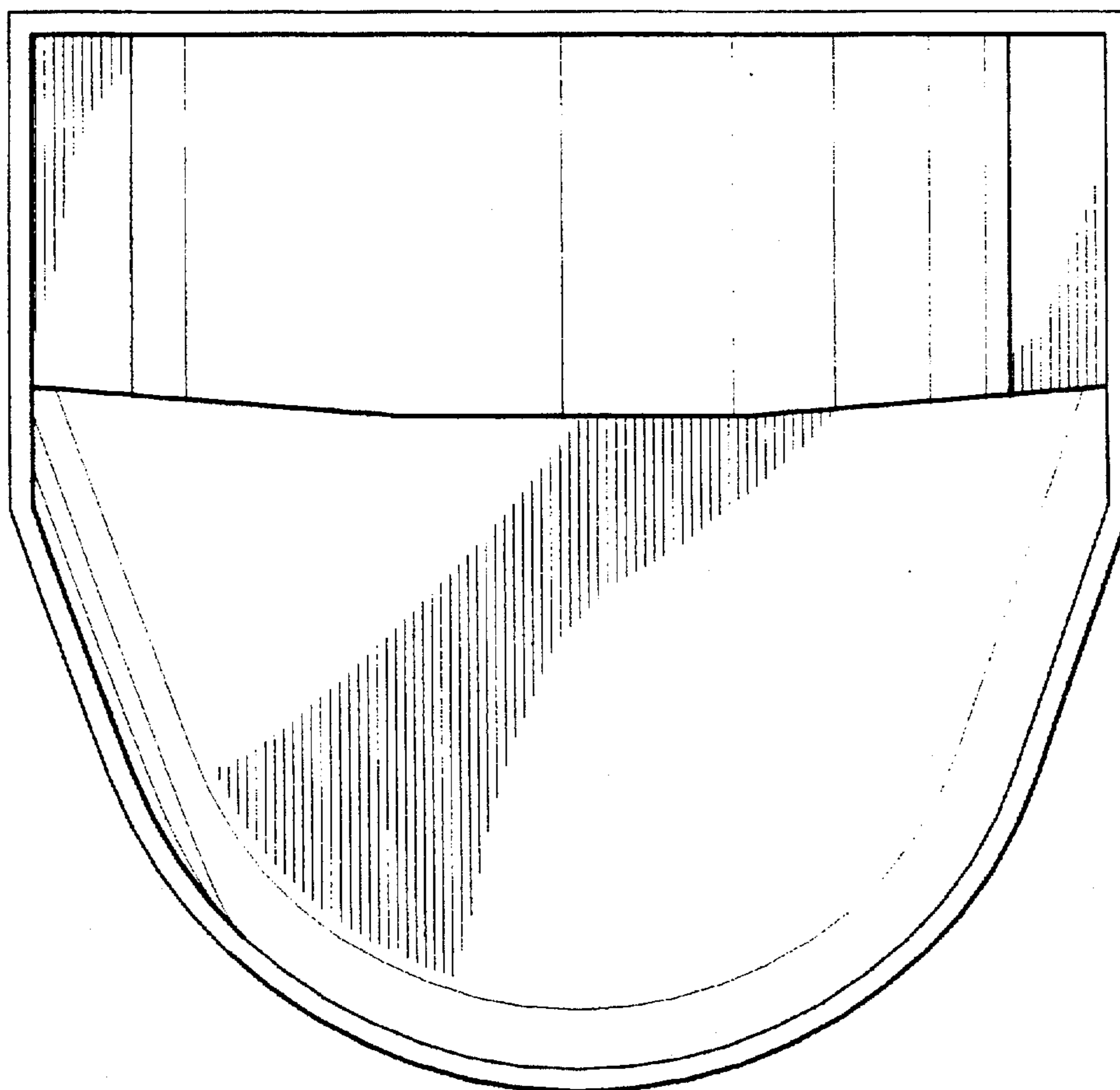


FIG. 4

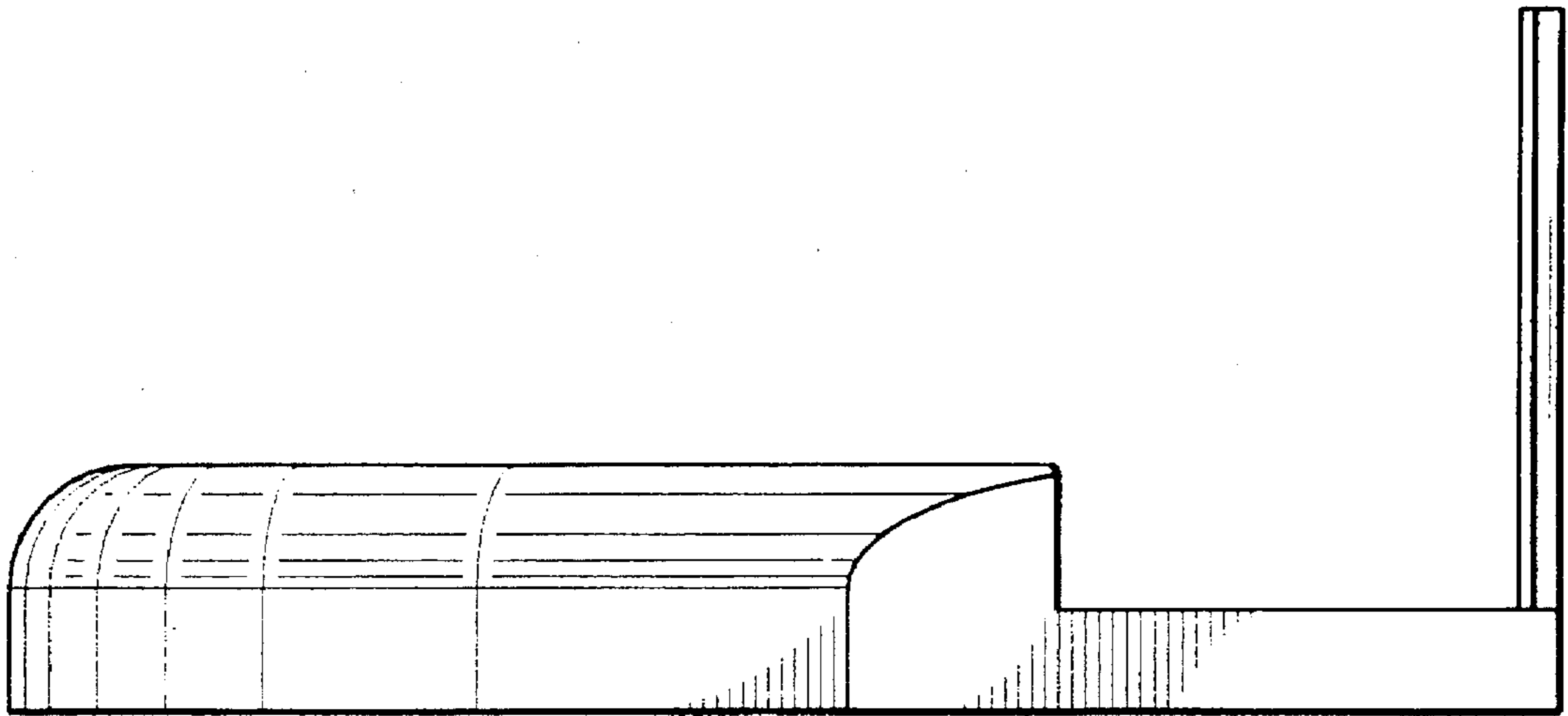


FIG. 5

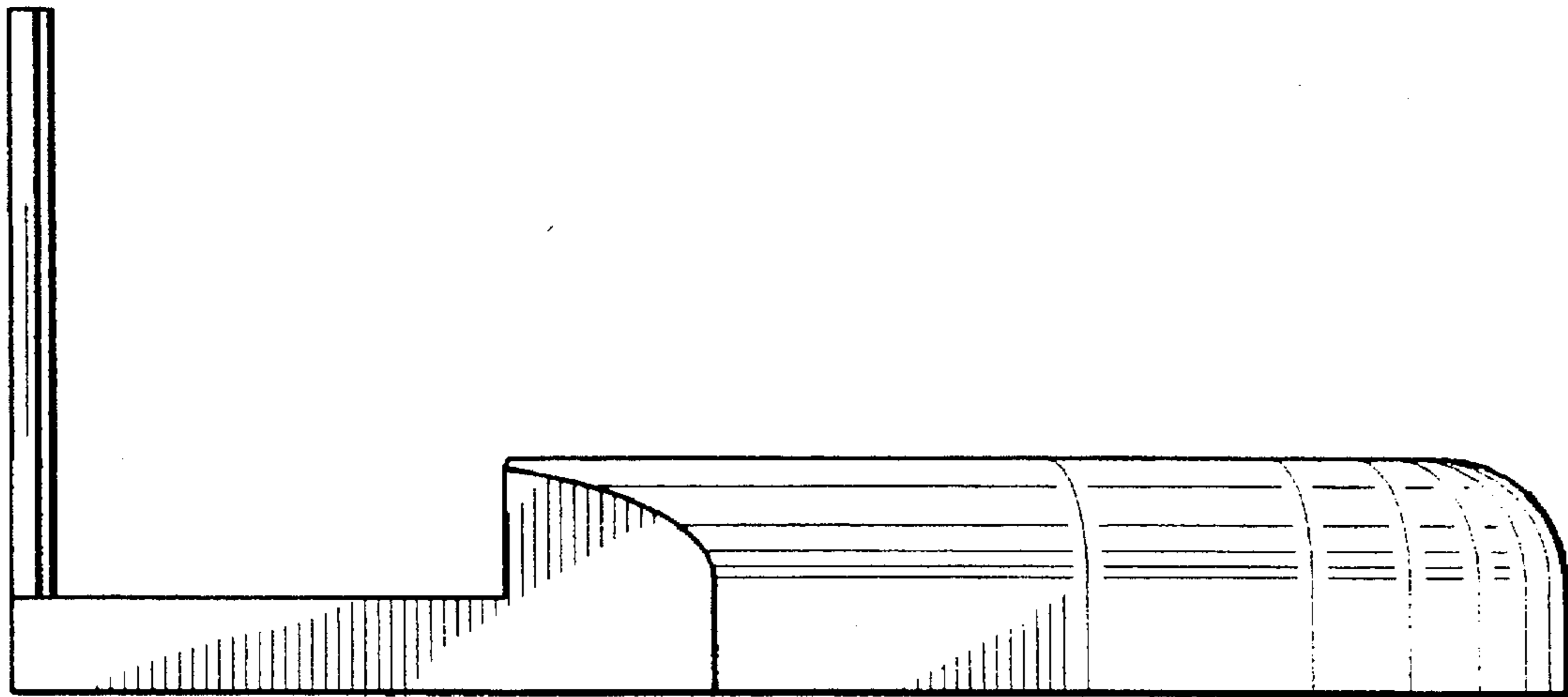


FIG. 6

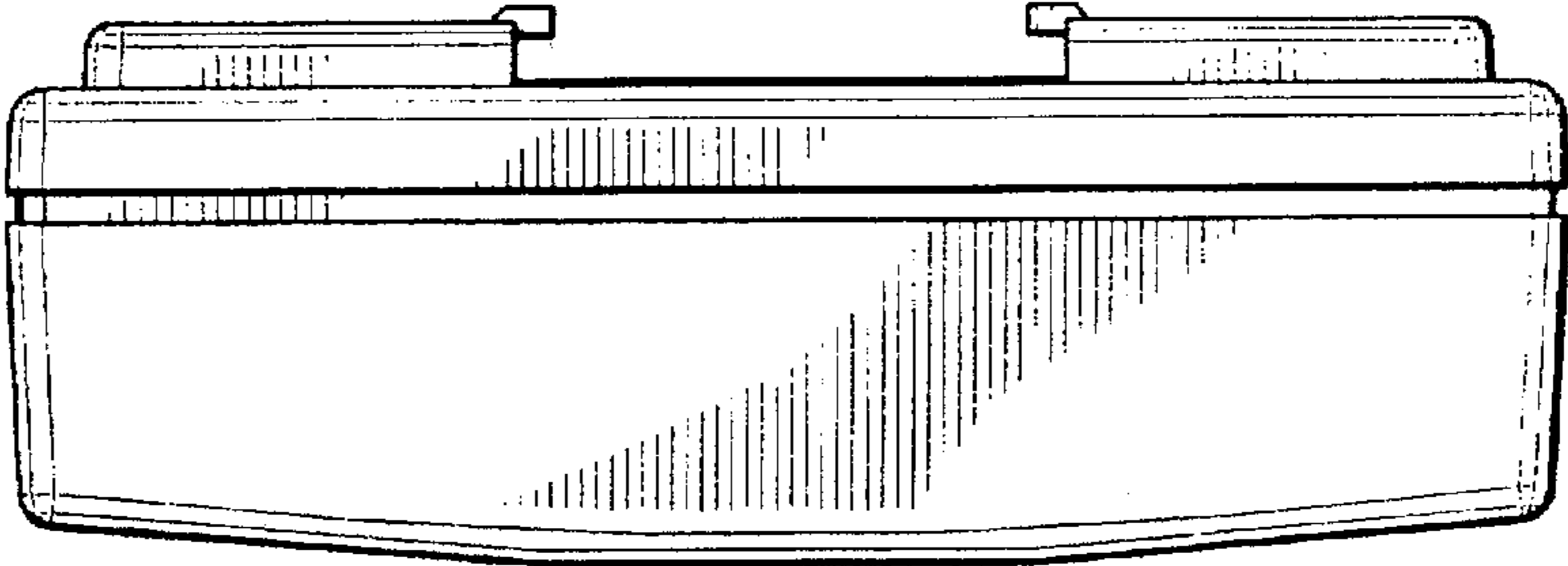


FIG. 7

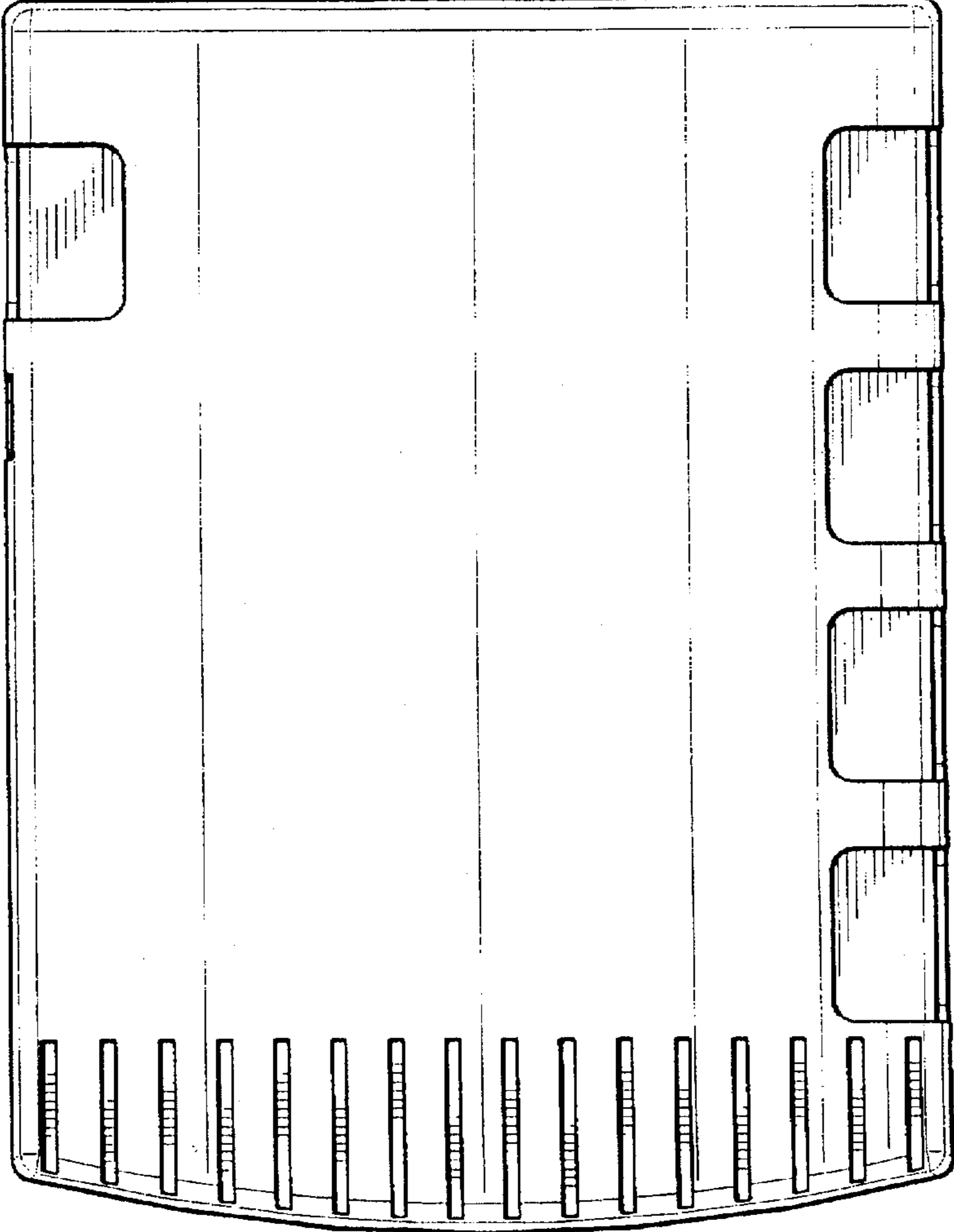


FIG. 8

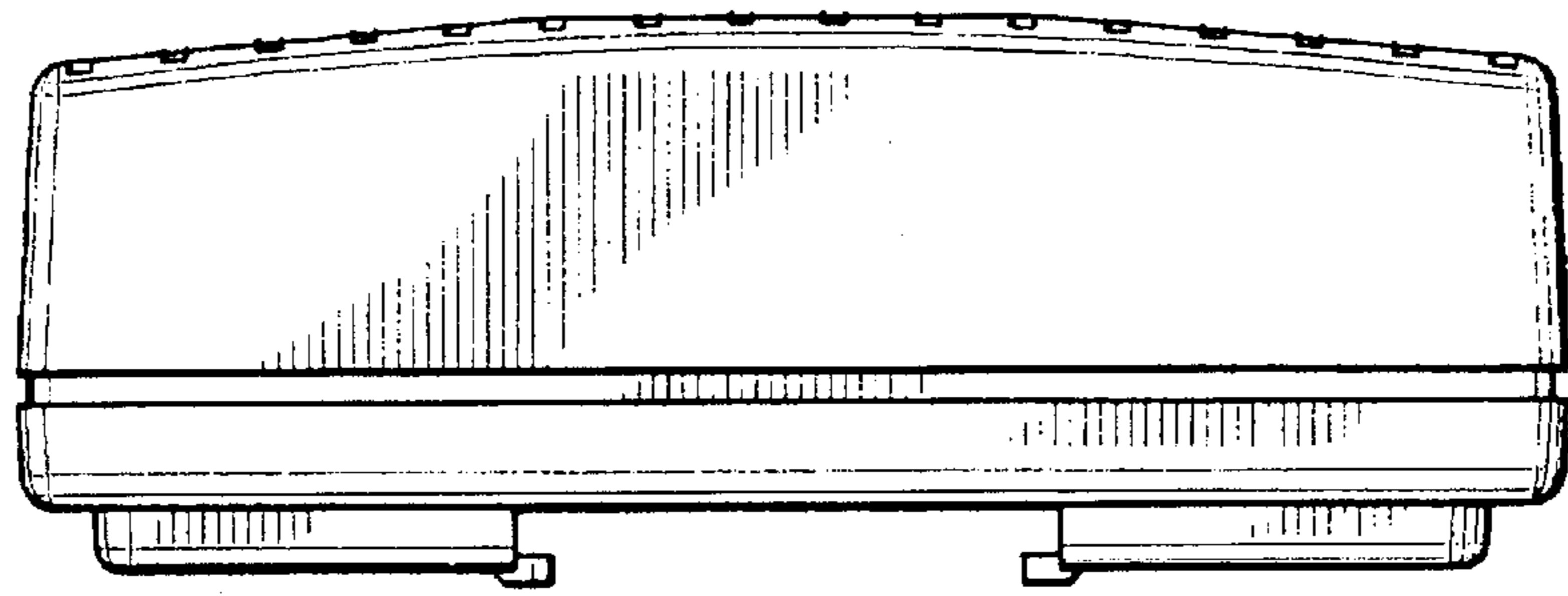


FIG. 9

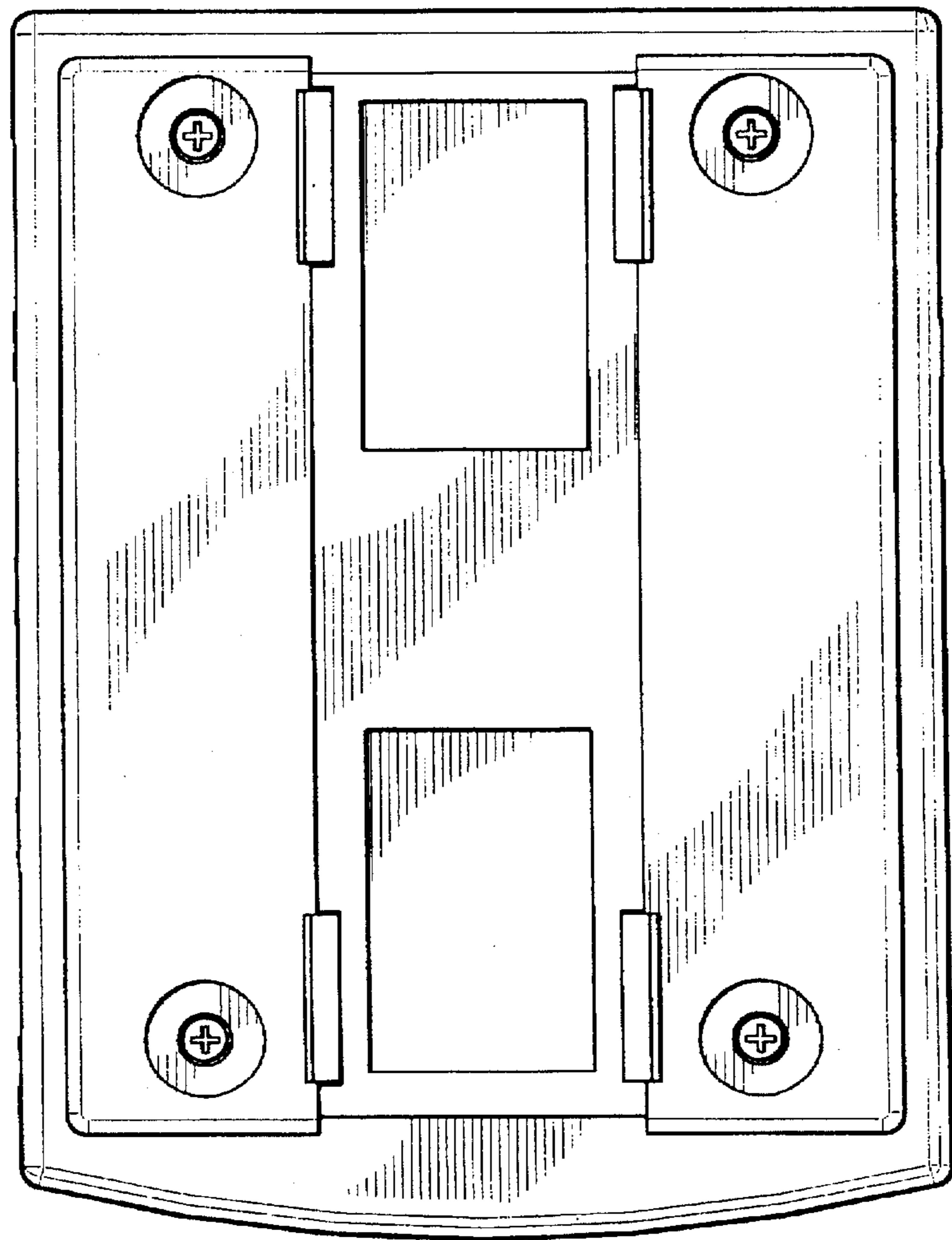


FIG. 10

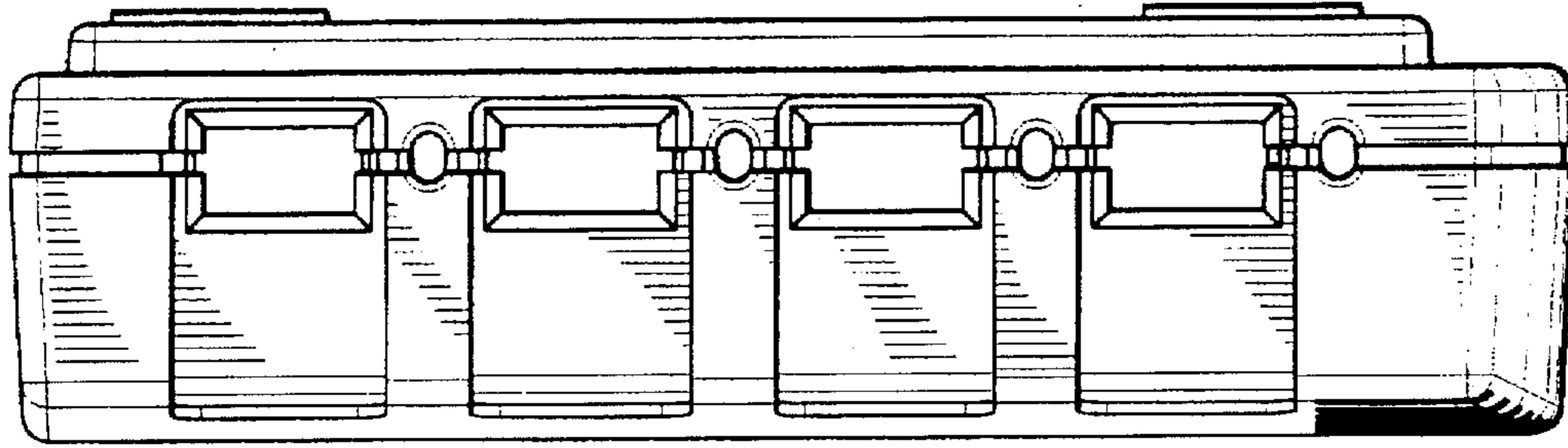


FIG. 12

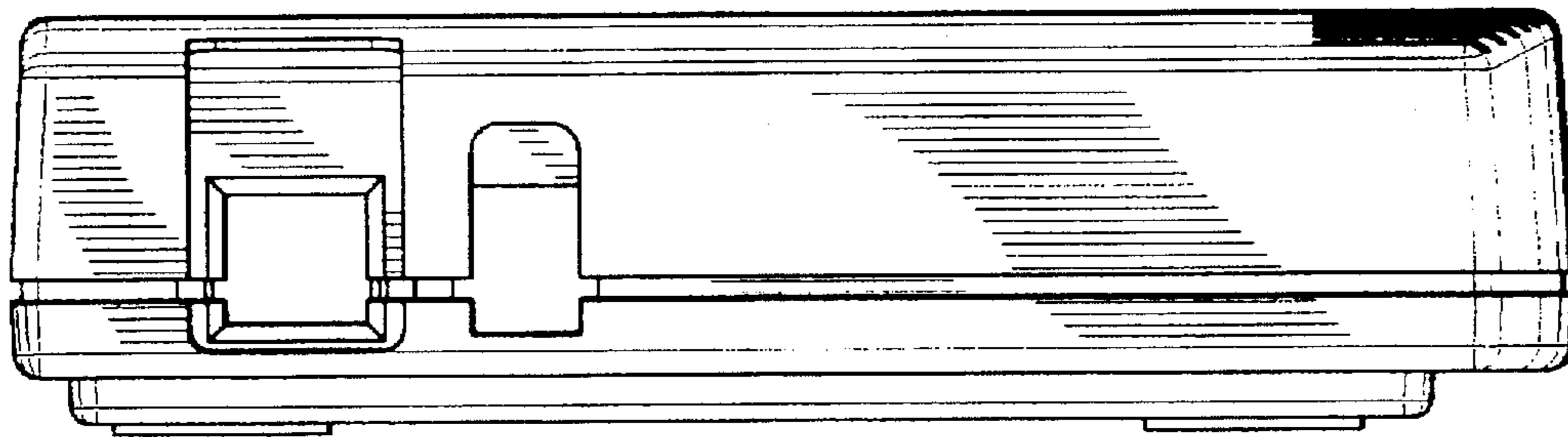


FIG. 11

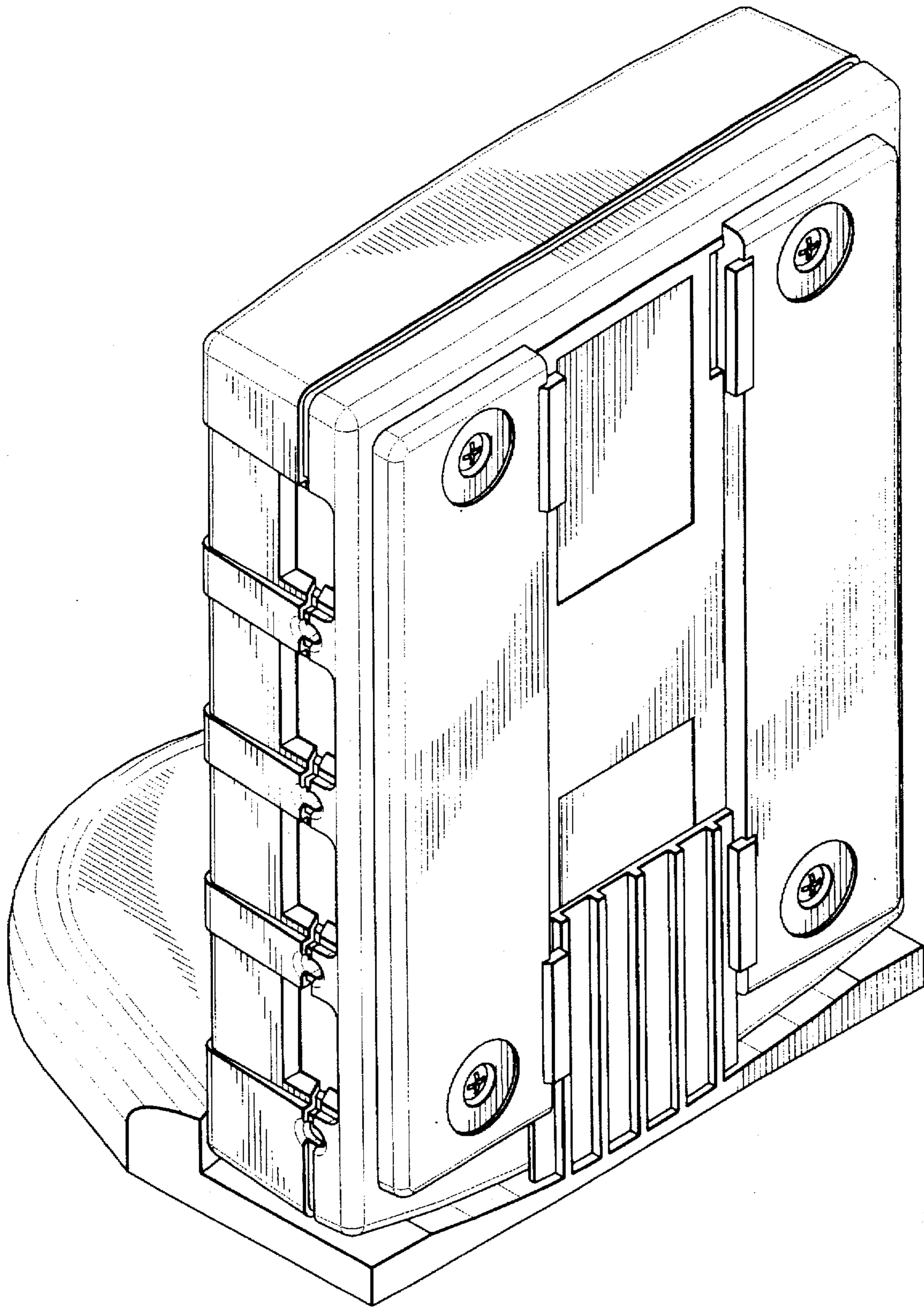


FIG. 13

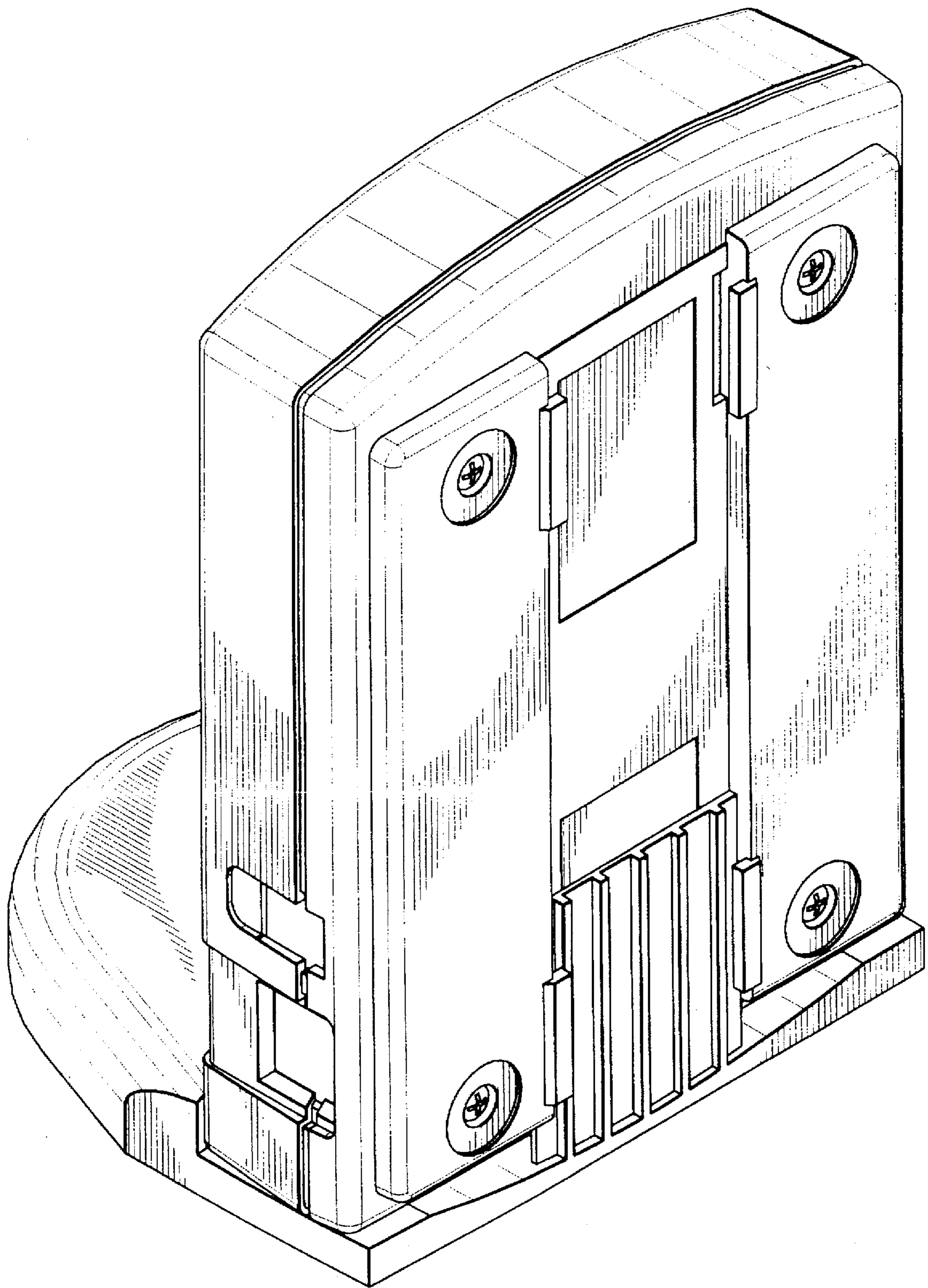


FIG. 14