



US00D408007S

United States Patent [19]

[11] Patent Number: **Des. 408,007**

Lund

[45] Date of Patent: ****Apr. 13, 1999**

[54] **PICKUP TRUCK CAB ADDITION**

4,892,346 1/1990 Berlin 296/99.1

[76] Inventor: **James R. Lund**, 11116 W. River Rd.,
Champlin, Minn. 55316

Primary Examiner—James Gandy
Assistant Examiner—Stacia Sinuik
Attorney, Agent, or Firm—James R. Cwayna

[**] Term: **14 Years**

[57] **CLAIM**

[21] Appl. No.: **29/071,464**

The ornamental design for a pickup truck cab addition, as shown and described.

[22] Filed: **May 27, 1997**

DESCRIPTION

[51] LOC (6) Cl. **12-16**

[52] U.S. Cl. **D12/401**

[58] Field of Search **D12/400, 401,**
D12/404; 296/10, 99.1, 100-102, 210

FIG. 1 is a side view of a pickup truck cab addition, showing my new design, shown attached to a pickup truck;
FIG. 2 is an enlarged front perspective view of the pickup truck cab addition;
FIG. 3 is an enlarged front view thereof;
FIG. 4 is an enlarged side view thereof, it being understood that the opposite side is a mirror image thereof;
FIG. 5 is an enlarged top view thereof;
FIG. 6 is an enlarged rear view thereof; and,
FIG. 7 is an enlarged bottom view thereof.

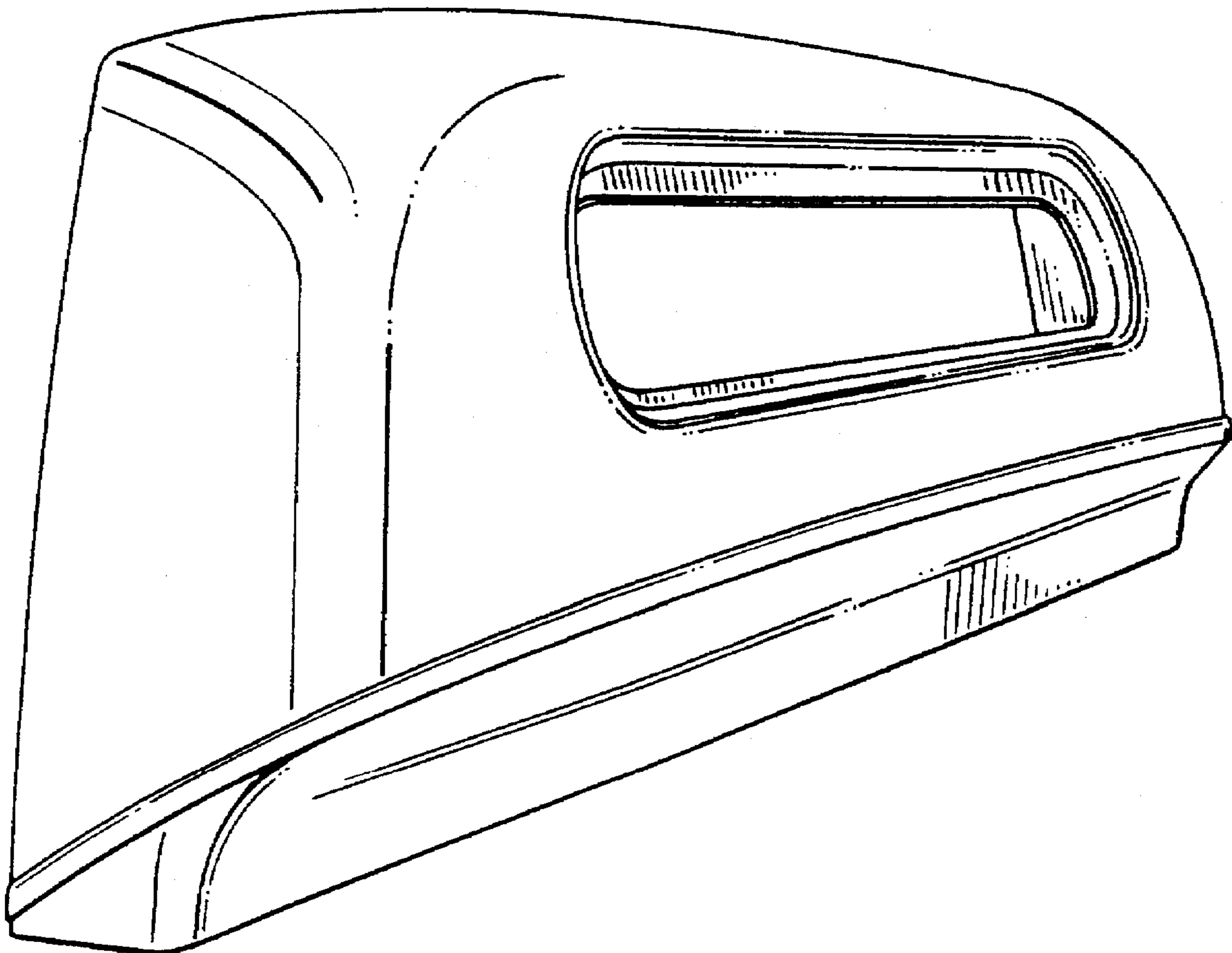
[56] **References Cited**

The broken line showing of environment is for illustrative purposes only and forms no part of the claimed design.

U.S. PATENT DOCUMENTS

D. 244,267	5/1977	Fay	D12/401
D. 280,496	9/1985	Rohrbacher	D12/401
D. 300,735	4/1989	Thomas	D12/401
D. 335,116	4/1993	Reed et al.	D12/401
D. 383,110	9/1997	Haney, Jr.	D12/401
3,508,786	4/1970	Colville	296/99.1 X
3,833,253	9/1974	Butler	296/99.1 X
4,688,845	8/1987	Kingsley	296/99.1

1 Claim, 3 Drawing Sheets



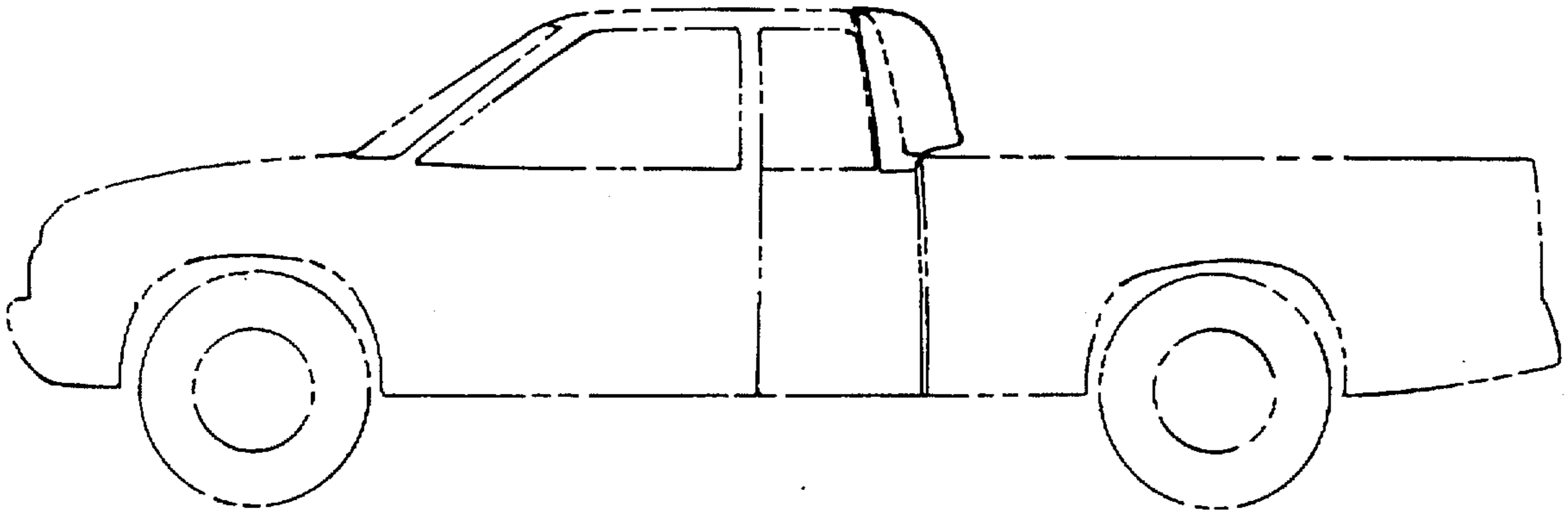


Fig. 1

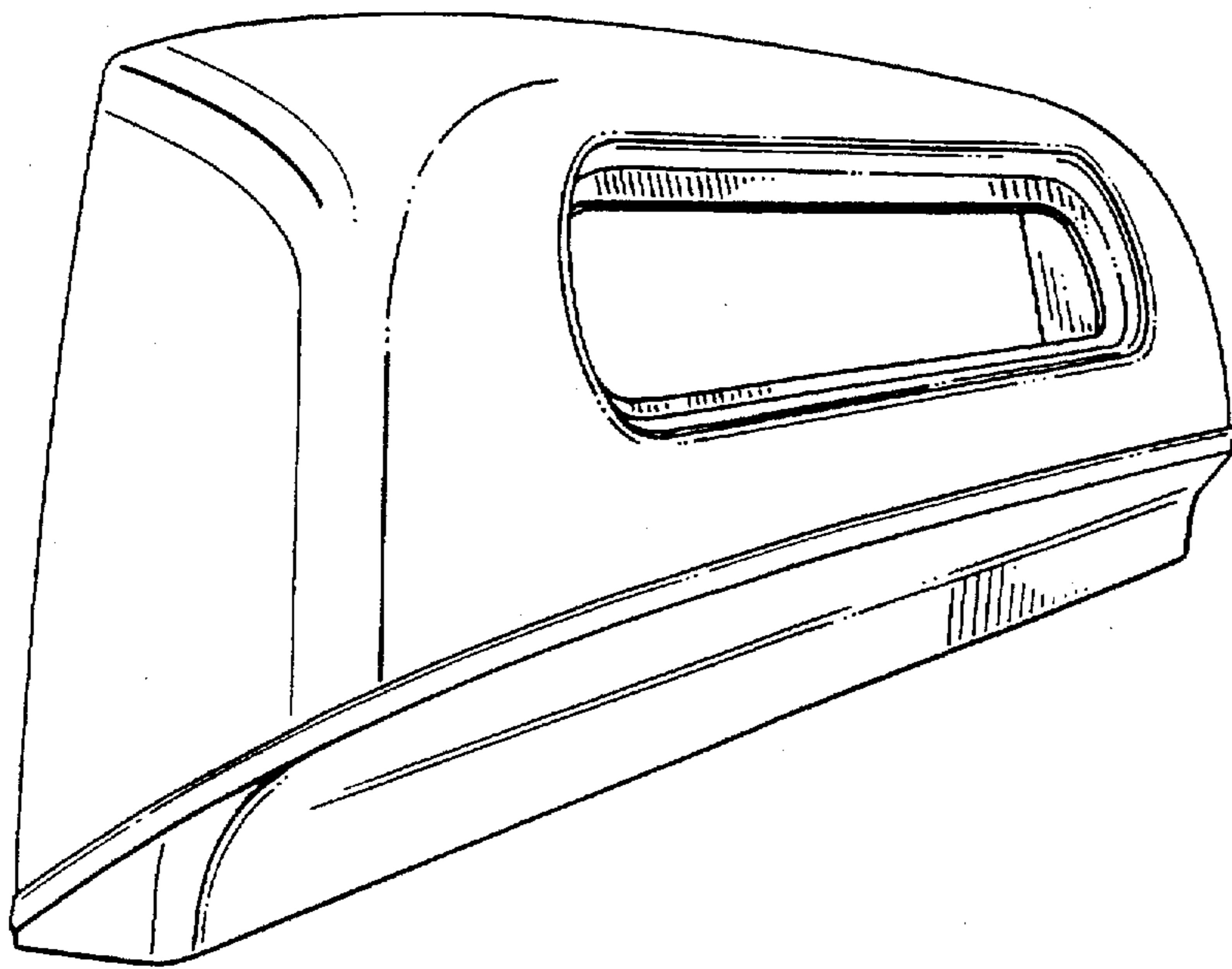


Fig. 2

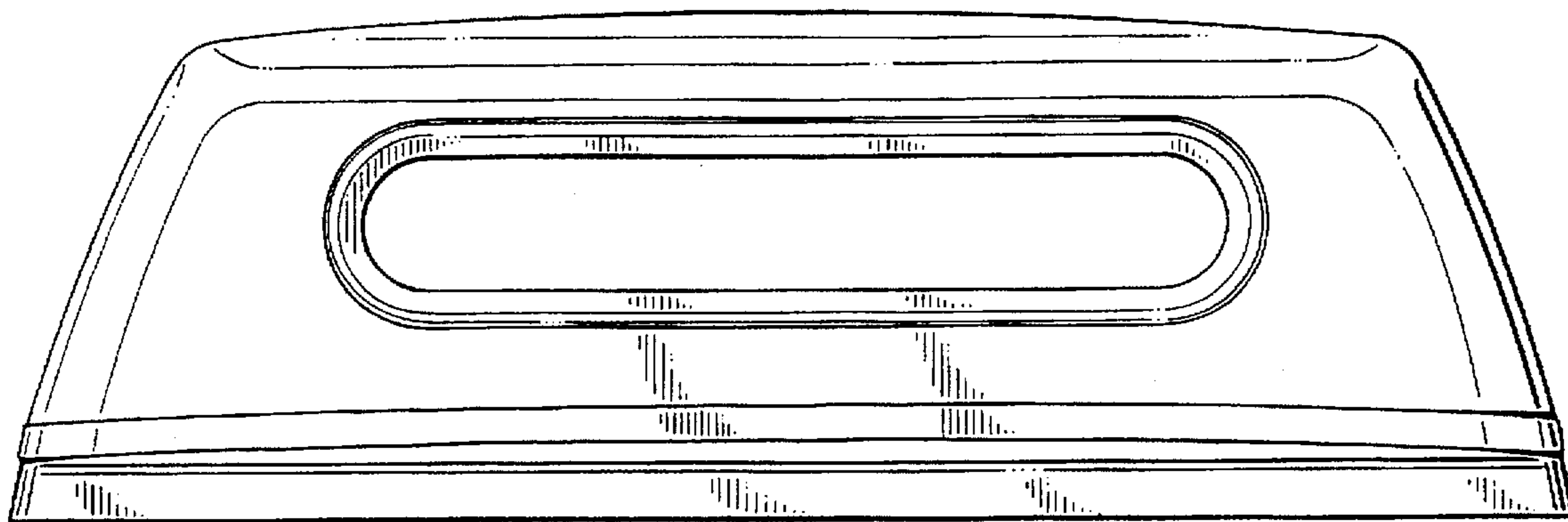


Fig. 3

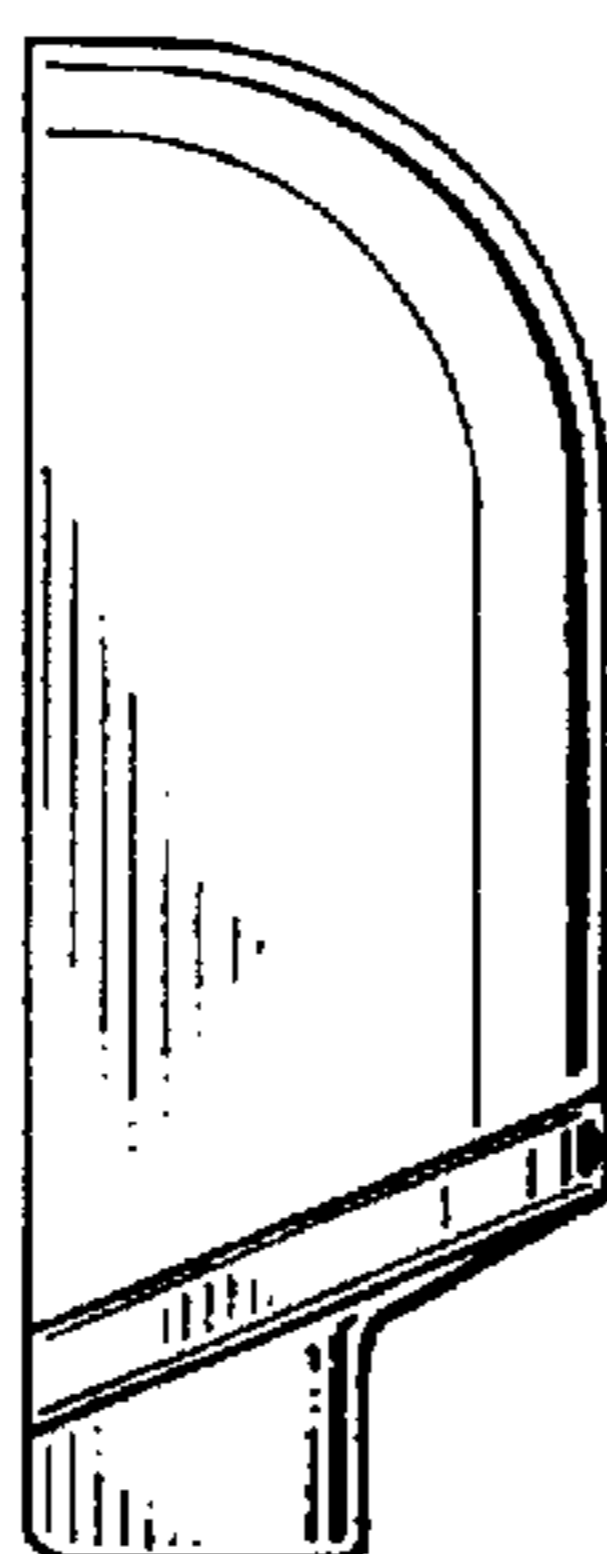


Fig. 4

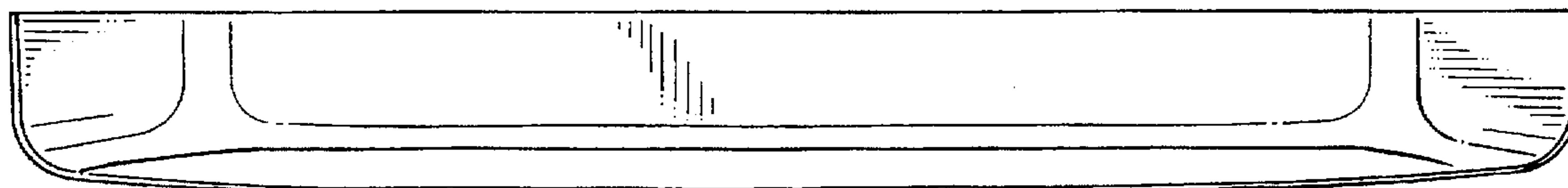


Fig. 5

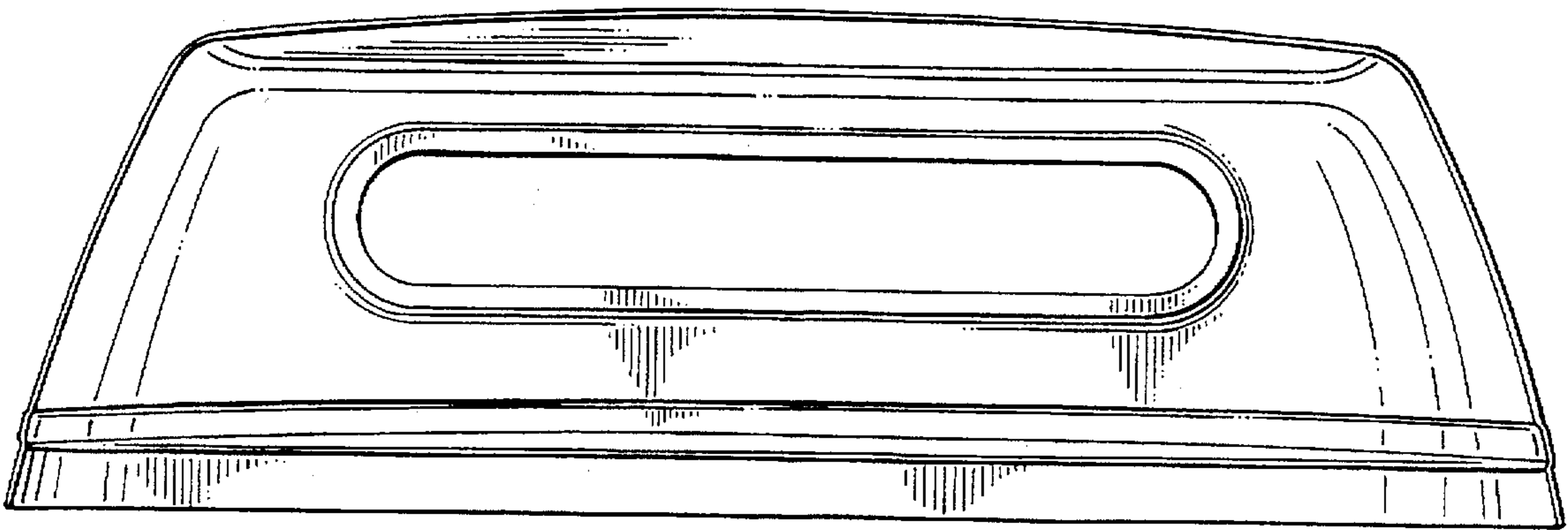


Fig. 6

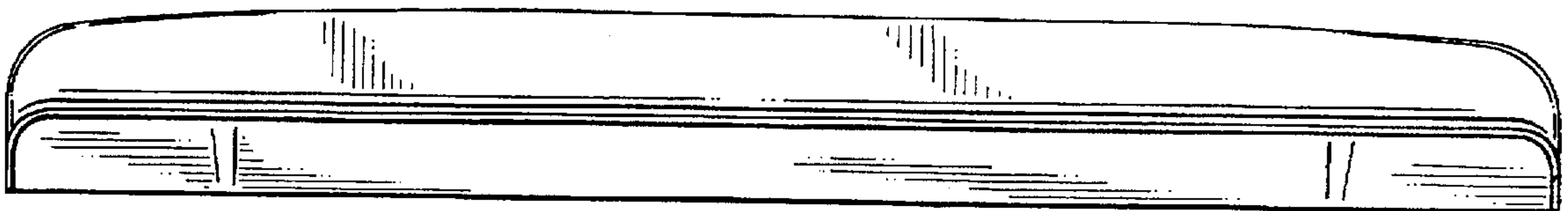


Fig. 7