



US00D408002S

United States Patent [19]

[11] Patent Number: **Des. 408,002**

Hale, Jr.

[45] Date of Patent: ****Apr. 13, 1999**

[54] **VEHICLE-WHEEL FRONT FACE**

[75] Inventor: **Arthur D. Hale, Jr.**, Long Beach, Calif.

[73] Assignee: **Mobile Hi-Tech Wheels**, Torrance, Calif.

[**] Term: **14 Years**

[21] Appl. No.: **29/070,957**

[22] Filed: **May 16, 1997**

[51] LOC (6) Cl. **12-16**

[52] U.S. Cl. **D12/209**

[58] Field of Search D12/204-213;
301/64.1, 65, 37.1

[56] **References Cited**

U.S. PATENT DOCUMENTS

D. 235,431	6/1975	Scott	D12/205
D. 257,615	12/1980	Horikoshi	D12/205
D. 258,503	3/1981	Semple	D12/211
D. 351,821	10/1994	Oka	D12/209
D. 361,547	8/1995	Weld	D12/211

D. 366,641	1/1996	Neeper	D12/209
D. 368,464	4/1996	Morley et al.	D12/209
D. 377,640	1/1997	Neeper	D12/209
D. 378,078	2/1997	Cattaneo	D12/205

Primary Examiner—James Gandy
Assistant Examiner—Stacia Sinuik
Attorney, Agent, or Firm—Christie, Parker & Hale, LLP

[57] **CLAIM**

The ornamental design for vehicle-wheel front face, as shown and described.

DESCRIPTION

FIG. 1 is a perspective view of a vehicle-wheel front face according to my new design; FIG. 2 is an enlarged front elevational view thereof; and, FIG. 3 is a front elevational view of a vehicle-wheel front face showing a second embodiment of my new design with the only difference being the reverse direction of the spokes. Portions of the wheel depicted in broken line are for illustrative purposes only, and form no part of the claimed design.

1 Claim, 3 Drawing Sheets

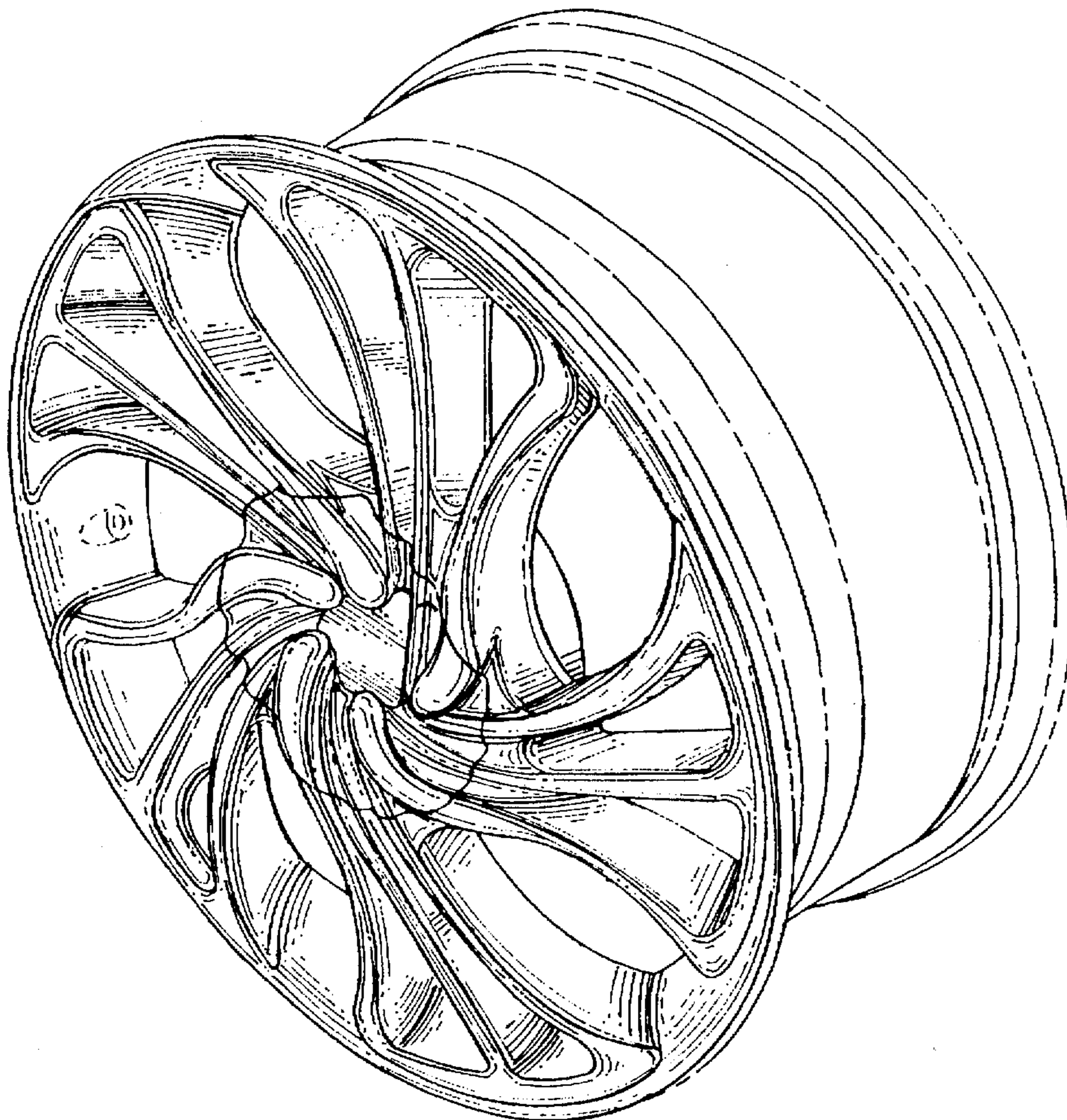


Fig. 1

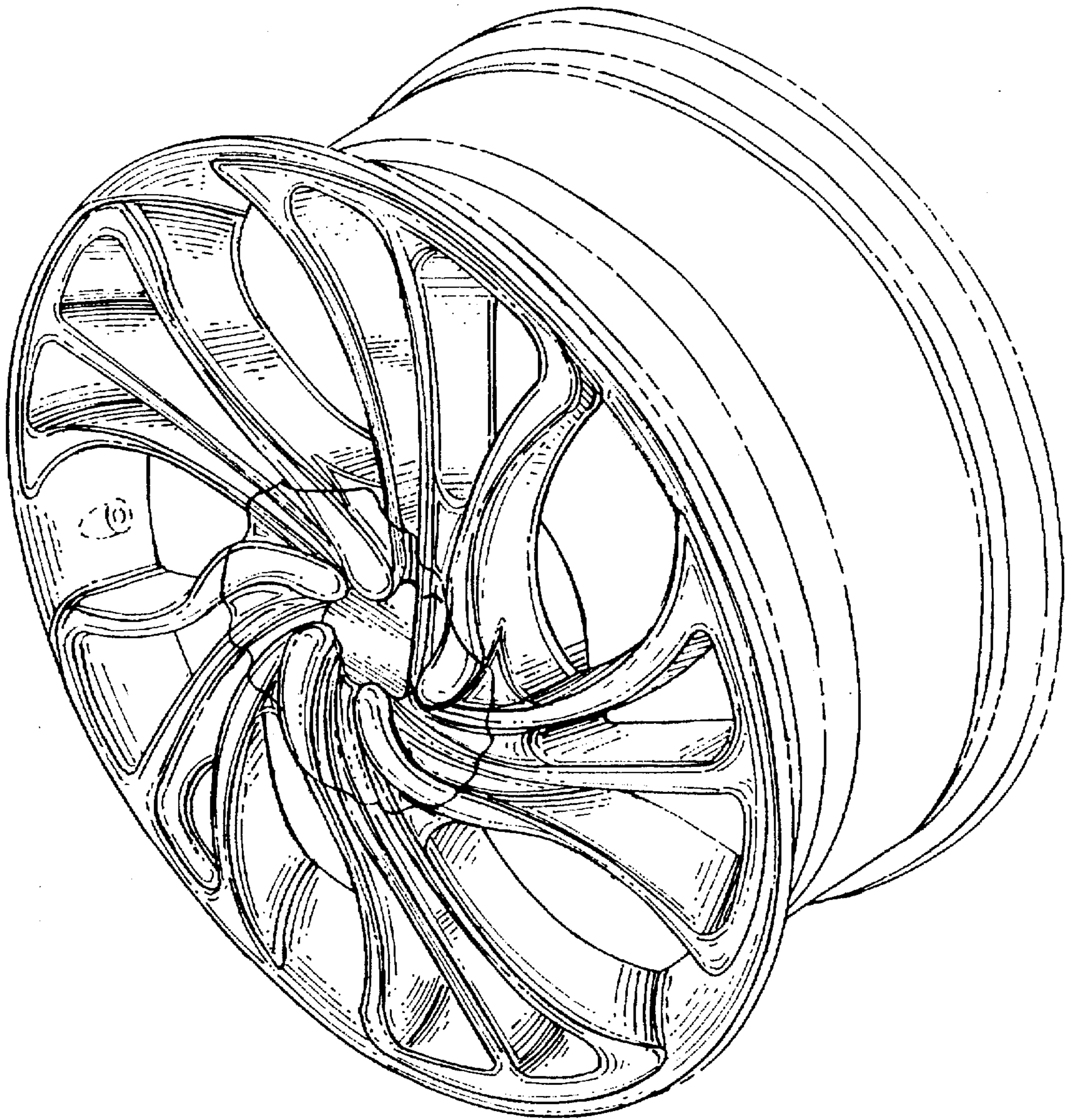


FIG. 2

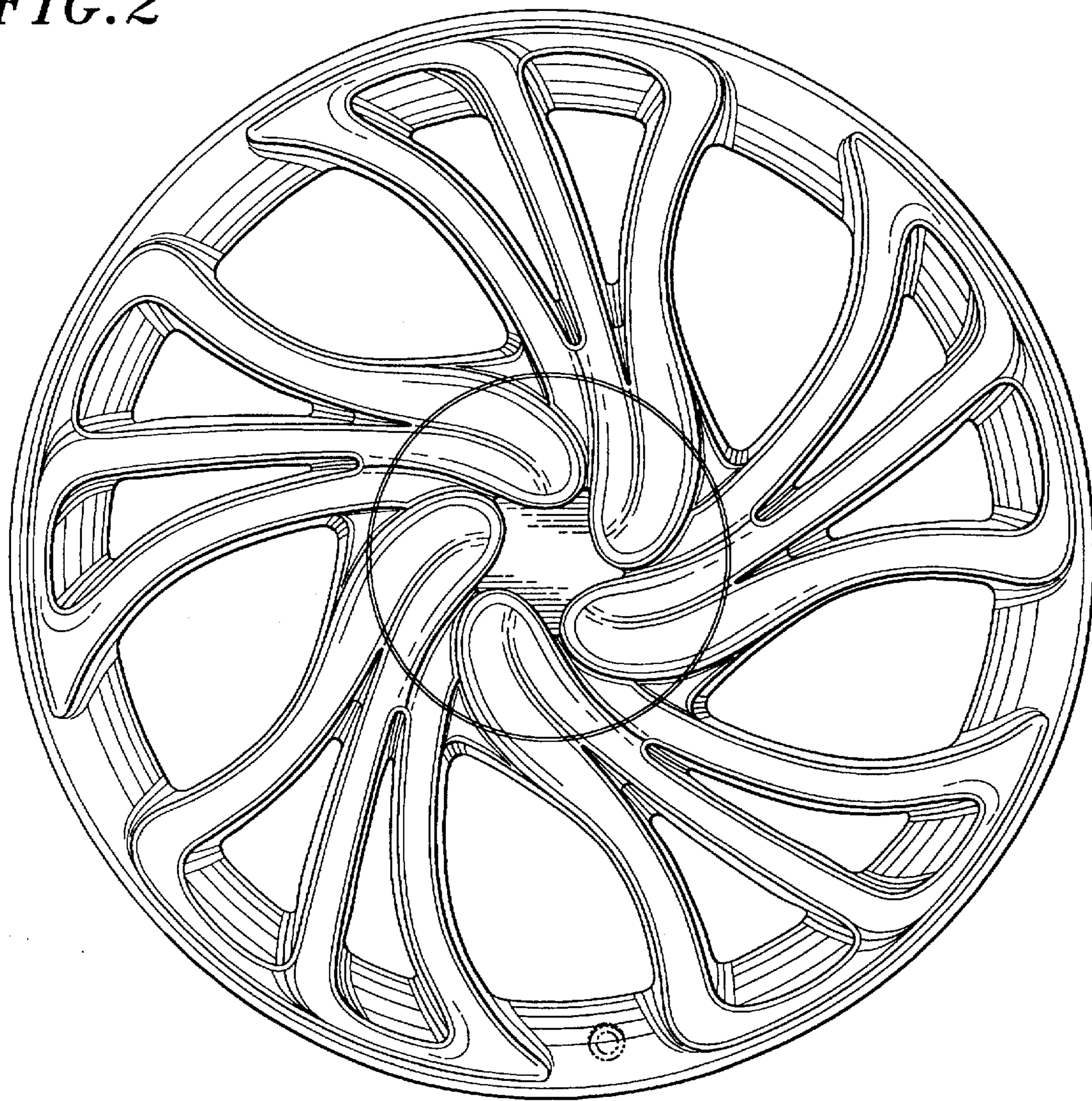


FIG. 3

