



US00D408001S

United States Patent [19]
Kelley

[11] **Patent Number: Des. 408,001**
[45] **Date of Patent: **Apr. 13, 1999**

[54] **VEHICLE WHEEL**

[75] **Inventor: Steve Kelley, Irvine, Calif.**

[73] **Assignee: Wheel Components, Inc., Fullerton, Calif.**

[**] **Term: 14 Years**

[21] **Appl. No.: 29/090,163**

[22] **Filed: Jul. 1, 1998**

[51] **LOC (6) Cl. 12-16**

[52] **U.S. Cl. D12/209**

[58] **Field of Search D12/204-213;
301/64.1, 65, 37.1**

[56] **References Cited**

U.S. PATENT DOCUMENTS

D. 103,682	3/1937	Kerr	D12/206
D. 172,292	5/1954	Lyon	D12/206
D. 215,652	10/1969	Griffith	D12/209
D. 249,787	10/1978	Tanaka	D12/205
D. 267,488	1/1983	Hayashi	D12/211
D. 268,260	3/1983	Kerschbaum et al.	D12/209
D. 284,073	6/1986	Flodman	D12/211
D. 336,886	6/1993	Mikawa	D12/211
D. 360,610	7/1995	Bernoni	D12/211
D. 361,547	8/1995	Weld	D12/211
D. 361,976	9/1995	Echazabal	D12/211
D. 367,031	2/1996	Hubbach	D12/209
D. 368,884	4/1996	Cole	D12/209
D. 368,885	4/1996	Wagner	D12/209
D. 371,533	7/1996	Castiglione	D12/209
D. 371,761	7/1996	Abbott	D12/209
D. 372,698	8/1996	Mantua	D12/209
D. 375,073	10/1996	Theiss	D12/209
D. 375,075	10/1996	Kugler	D12/209

D. 377,471	1/1997	Stach	D12/209
D. 384,930	10/1997	Hale, Jr.	D12/209
D. 385,246	10/1997	Neeper	D12/209
D. 390,822	2/1998	Neeper	D12/209
D. 395,031	6/1998	Timm	D12/209
D. 395,862	7/1998	Cullen	D12/209
D. 396,442	7/1998	Hale, Jr.	D12/209
D. 396,443	7/1998	Neeper	D12/209
D. 396,444	7/1998	Neeper	D12/209
D. 396,680	8/1998	Kuribayashi	D12/209

OTHER PUBLICATIONS

Custom Wheel & Tire Style Guide, p. 45, see "P.234" (1993).
Customer Wheel & Tire Style Guide, p. 29, See "Style 2003" (1993).
Custom Wheel & Tire Style Guide, p. 21, See "DP Excalibur" (1993).

Primary Examiner—James Gandy
Assistant Examiner—Stacia Sinuik
Attorney, Agent, or Firm—Fulwider Patton Lee & Utecht, LLP

[57] **CLAIM**

The ornamental design for a vehicle wheel, as shown and described.

DESCRIPTION

FIG. 1 is a perspective view of a vehicle wheel, showing my new design;
FIG. 2 is a side view, in enlarged scale, of the wheel shown in FIG. 1, the right side being a mirror image thereof; and,
FIG. 3 is a front view, in enlarged scale, of the wheel shown in FIG. 1.

1 Claim, 2 Drawing Sheets

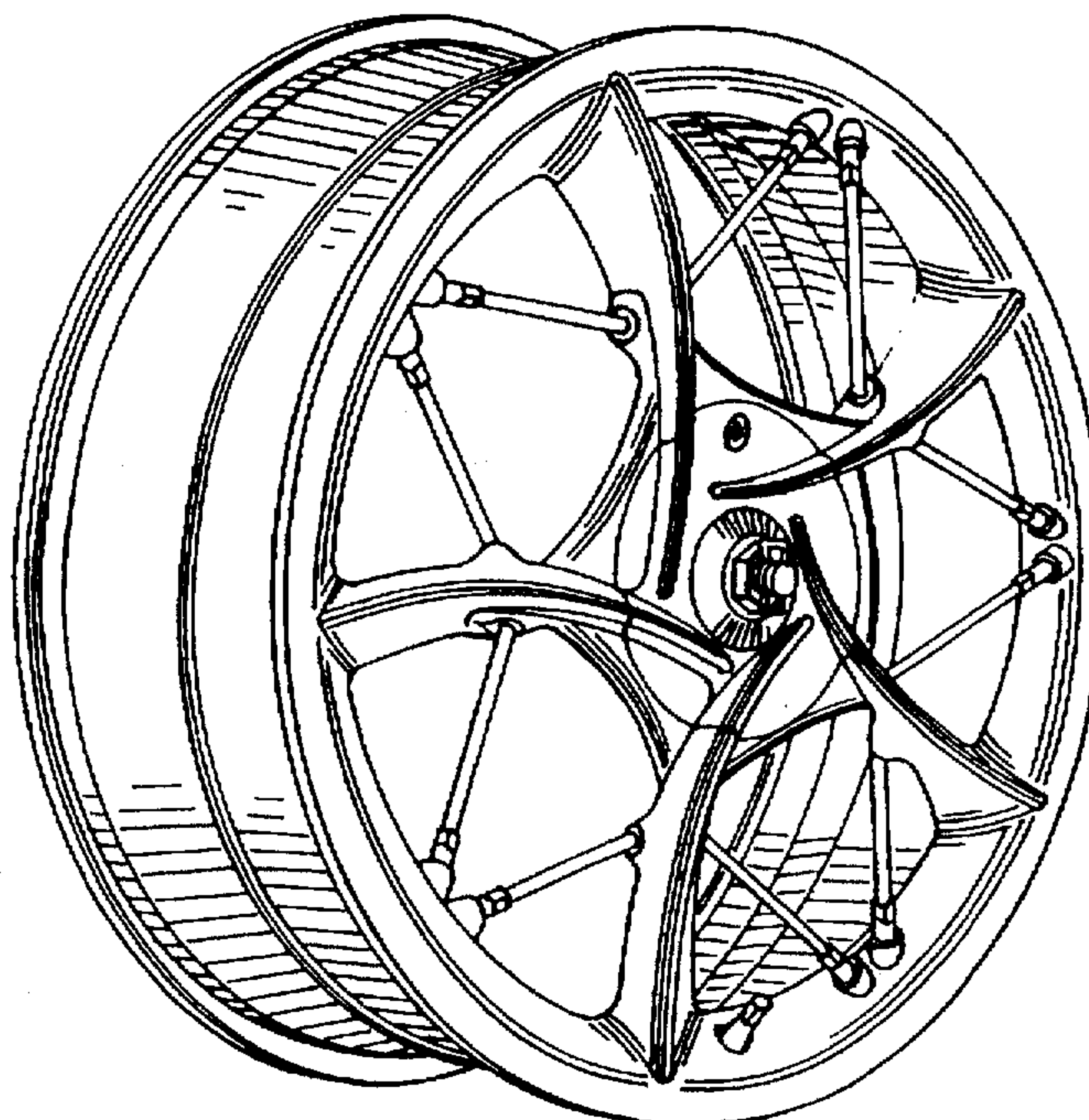


FIG. 1

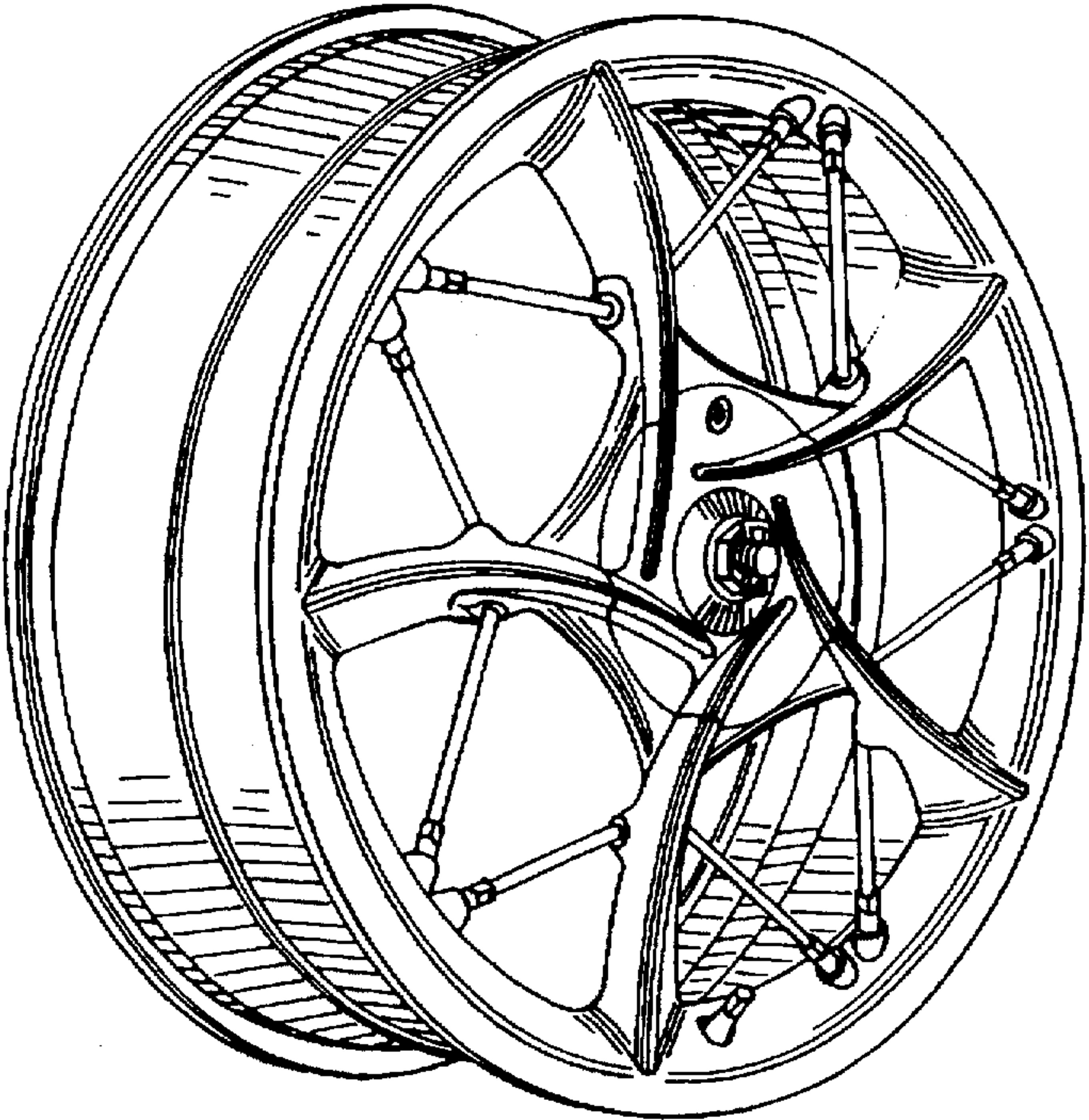


FIG. 2

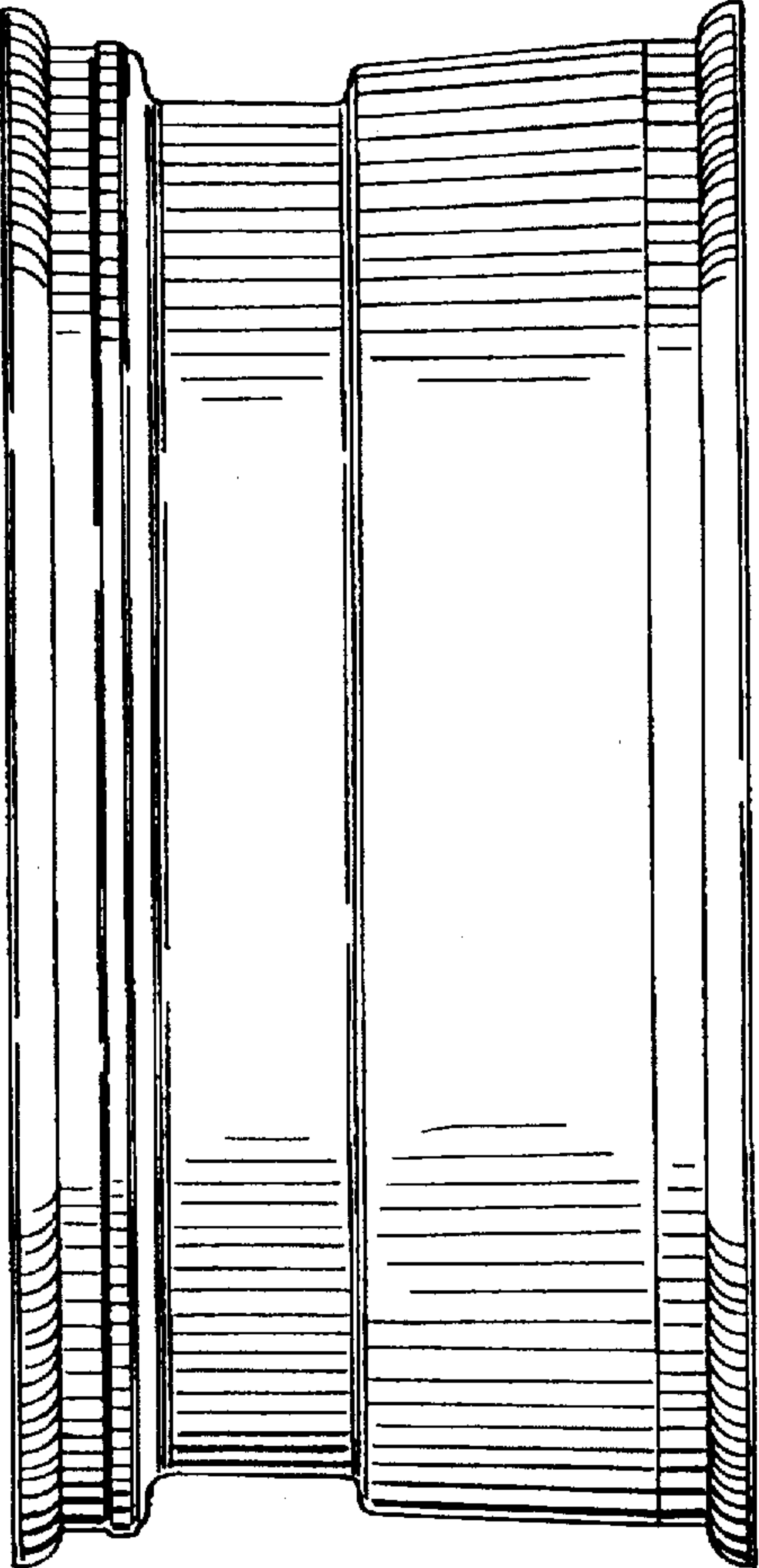


FIG. 3

