



US00D407999S

United States Patent [19]

[11] Patent Number: **Des. 407,999**

Greaves et al.

[45] Date of Patent: ****Apr. 13, 1999**

[54] **INVALID LIFTING DEVICE**

[75] Inventors: **John Greaves, Romsey; Philip von Schroeter, Gloucester, both of United Kingdom**

[73] Assignee: **Arjo Limited, Gloucester, United Kingdom**

[**] Term: **14 Years**

[21] Appl. No.: **29/081,832**

[22] Filed: **Nov. 7, 1997**

[30] **Foreign Application Priority Data**

May 7, 1997 [GB] United Kingdom 2065523

[51] **LOC (6) Cl.** **12-12**

[52] **U.S. Cl.** **D12/128**

[58] **Field of Search** **D12/128-133; 5/87.1, 88.1, 83.1; 280/755; D34/33; D24/190**

[56] **References Cited**

U.S. PATENT DOCUMENTS

3,694,829	10/1972	Bakker	5/86.1
4,545,085	10/1985	Feldt	5/87.1
4,680,819	7/1987	James	5/87.1

Primary Examiner—Kay H. Chin
Attorney, Agent, or Firm—Young & Thompson

[57] **CLAIM**

The ornamental design for an invalid lifting device, as shown.

DESCRIPTION

FIG. 1 is a side perspective view of an invalid lifting device showing our new design;

FIG. 2 is a perspective view thereof from the side opposite that shown in FIG. 1;

FIG. 3 is a front perspective view thereof;

FIG. 4 is a rear perspective view thereof;

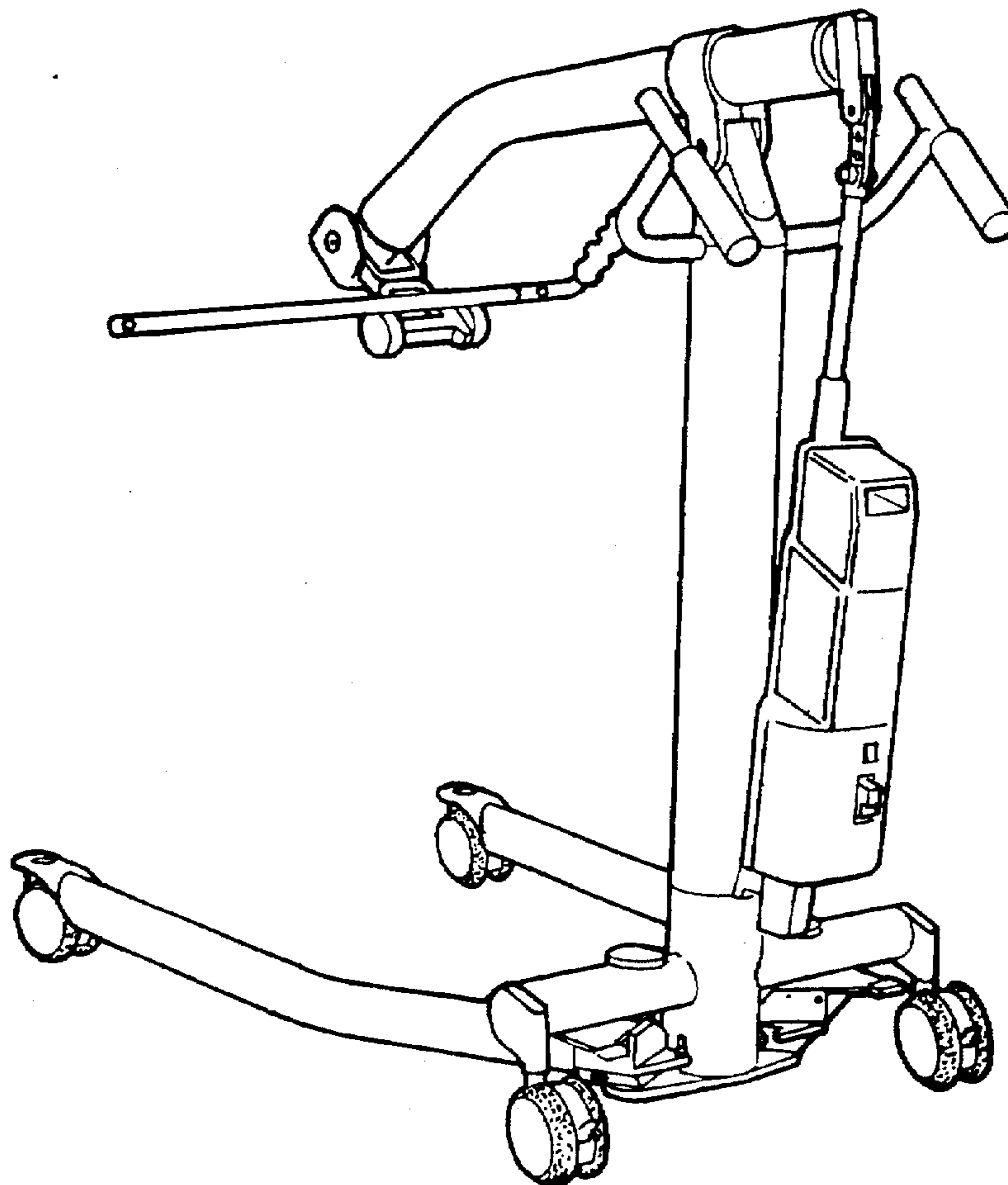
FIG. 5 is a bottom perspective view thereof;

FIG. 6 is a top perspective view thereof;

FIG. 7 is a perspective view thereof from the rear and the side shown in FIG. 1; and,

FIG. 8 is a perspective view thereof from the front and the side shown in FIG. 2.

1 Claim, 4 Drawing Sheets



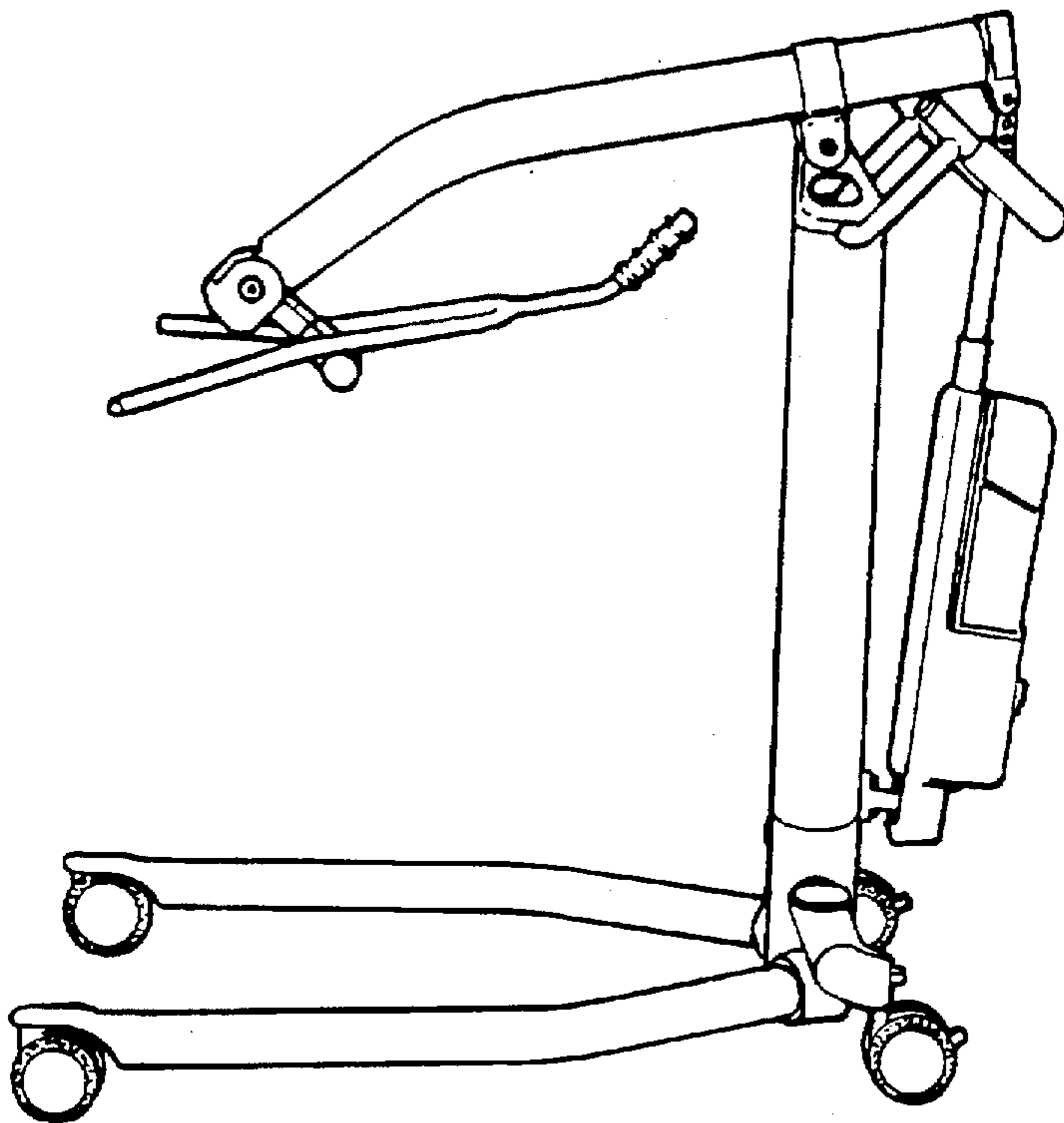


FIG 1

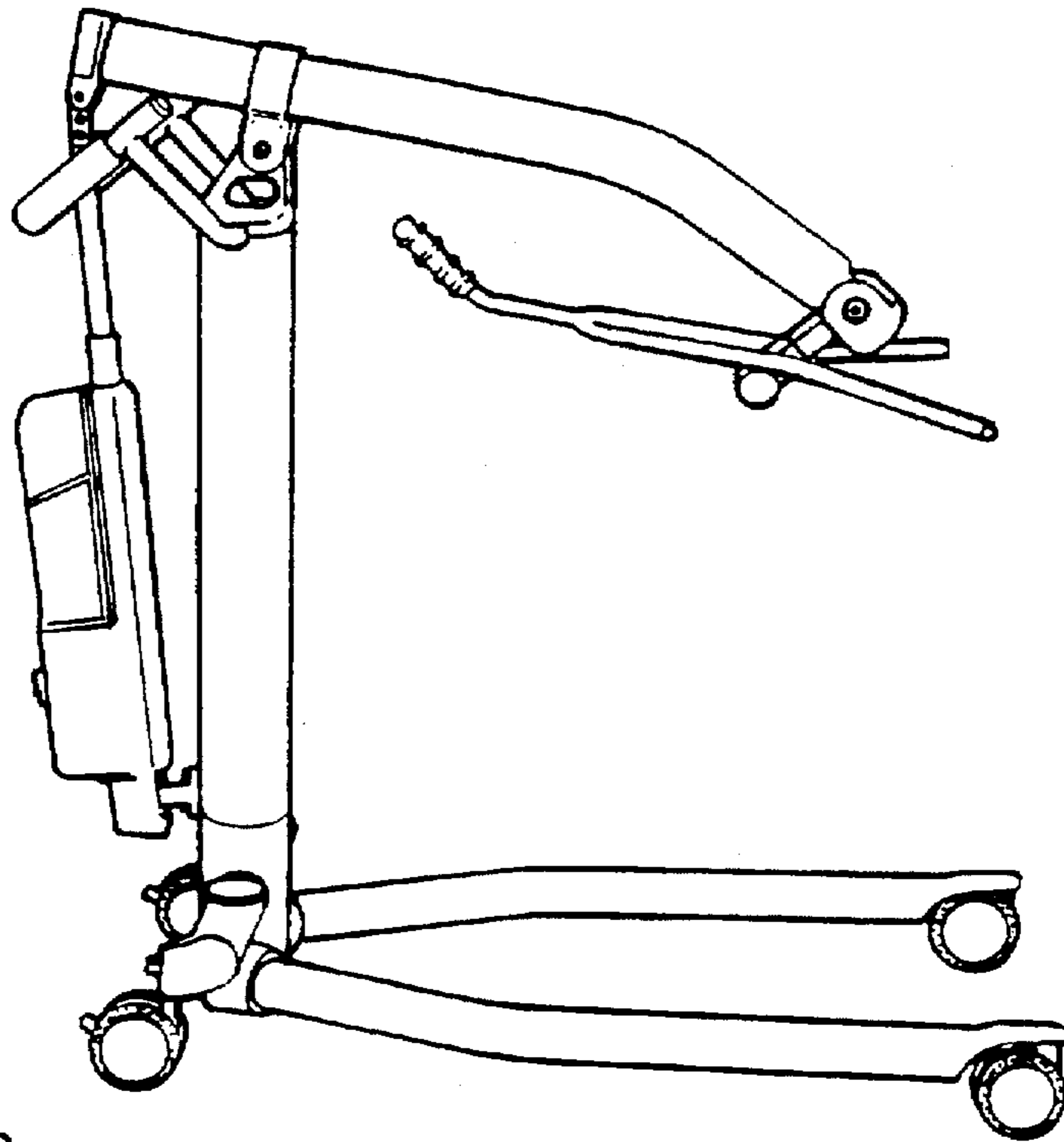


FIG 2

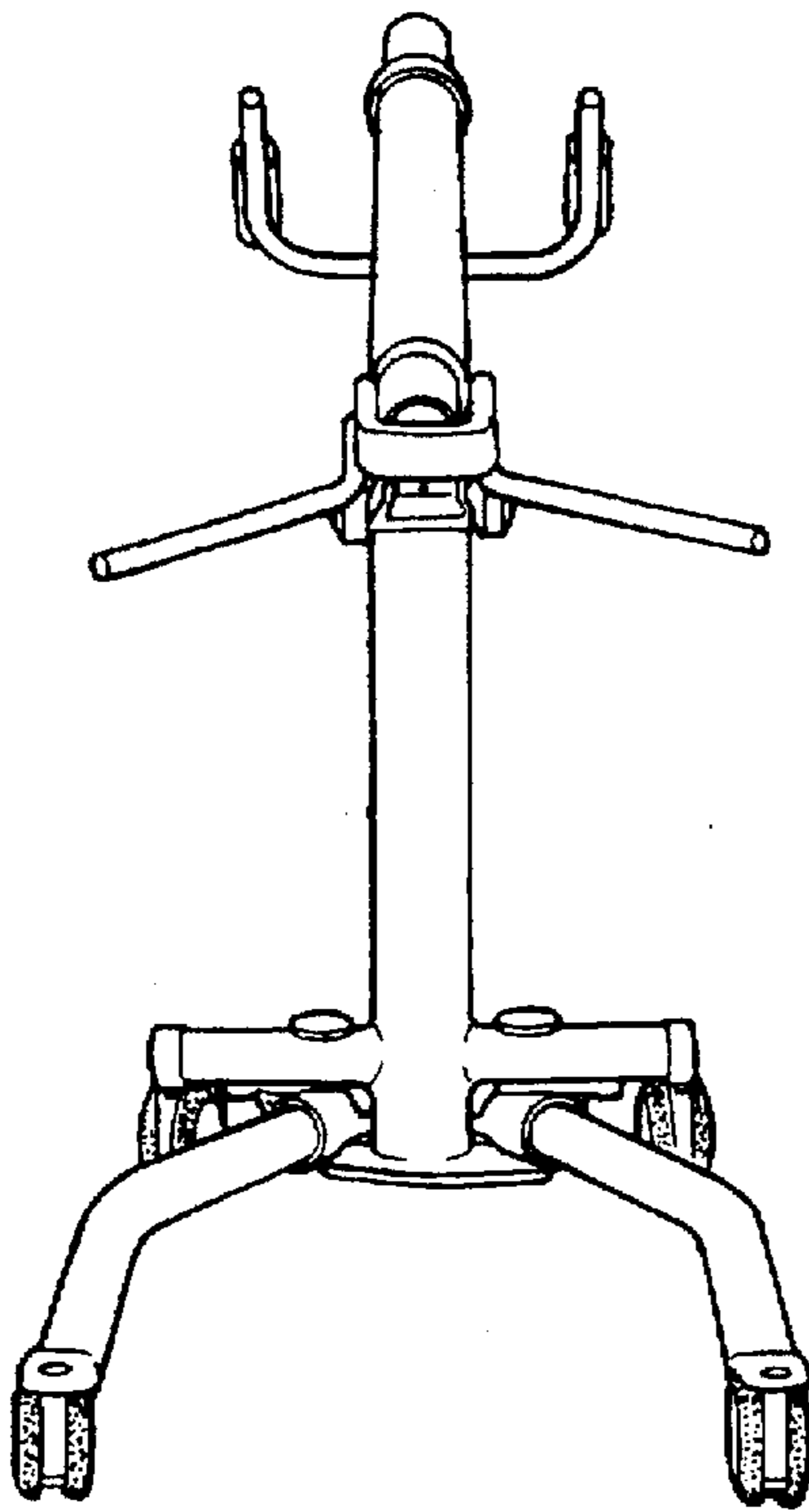


FIG 3

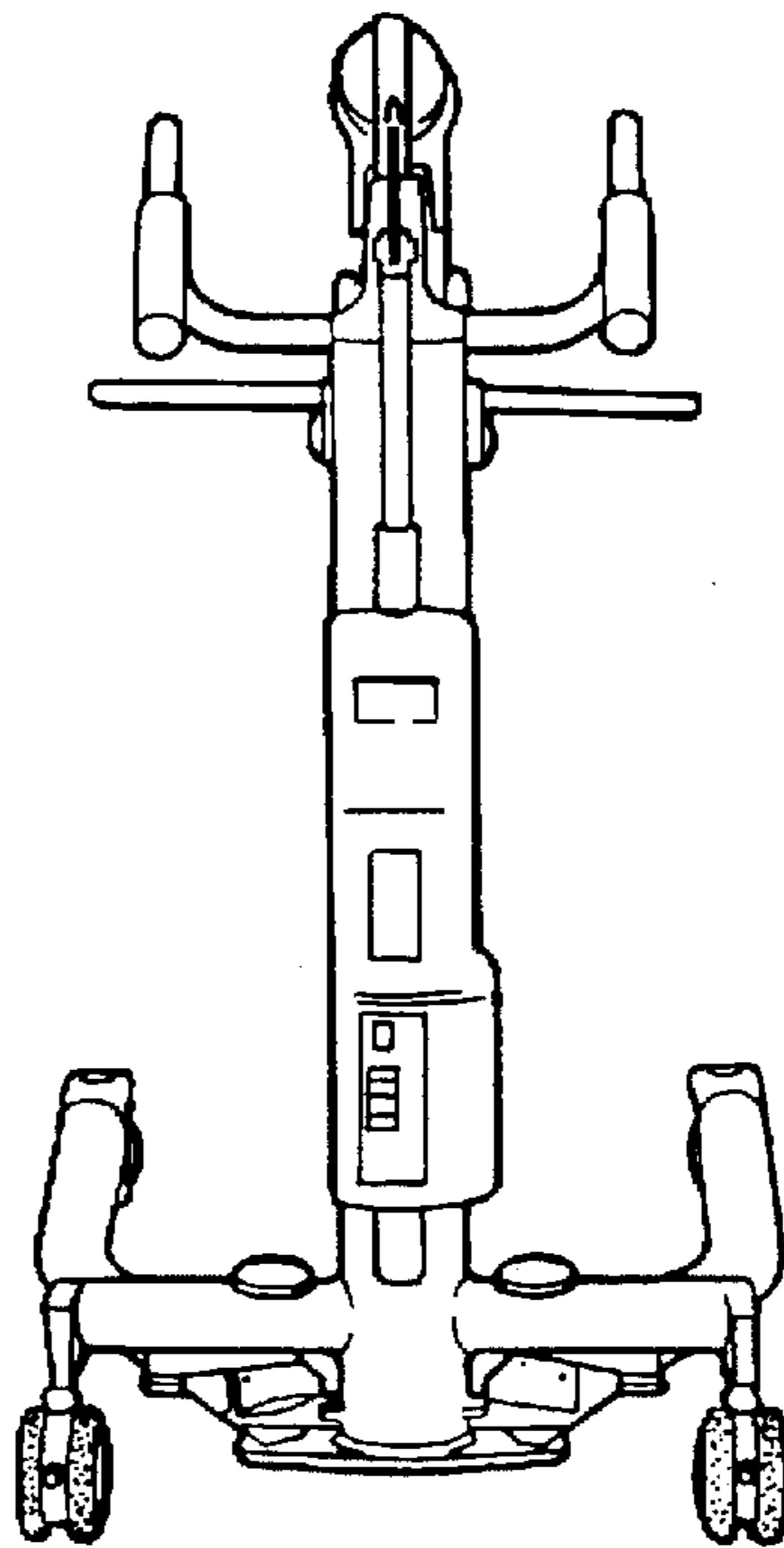


FIG 4

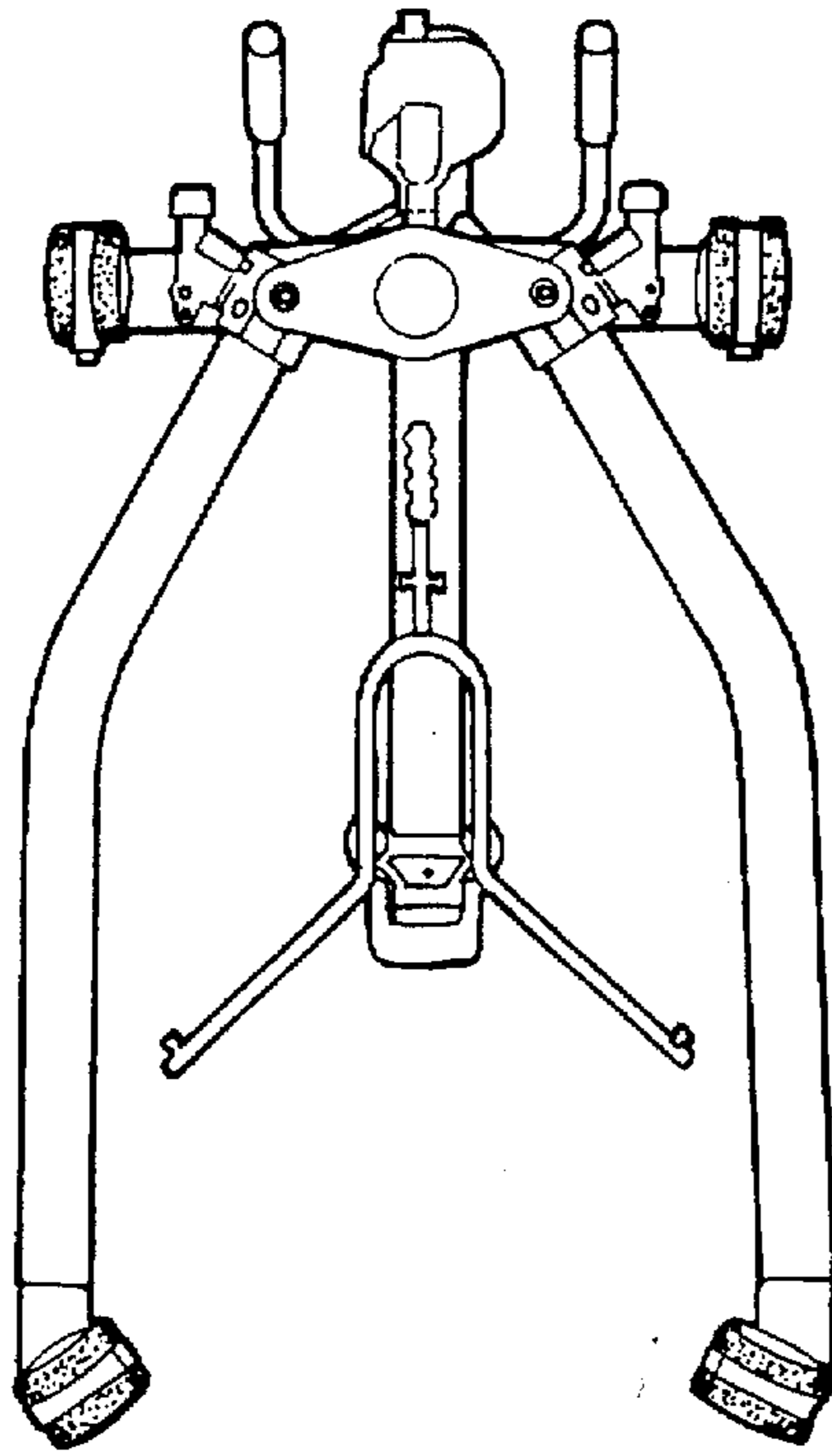


FIG 5

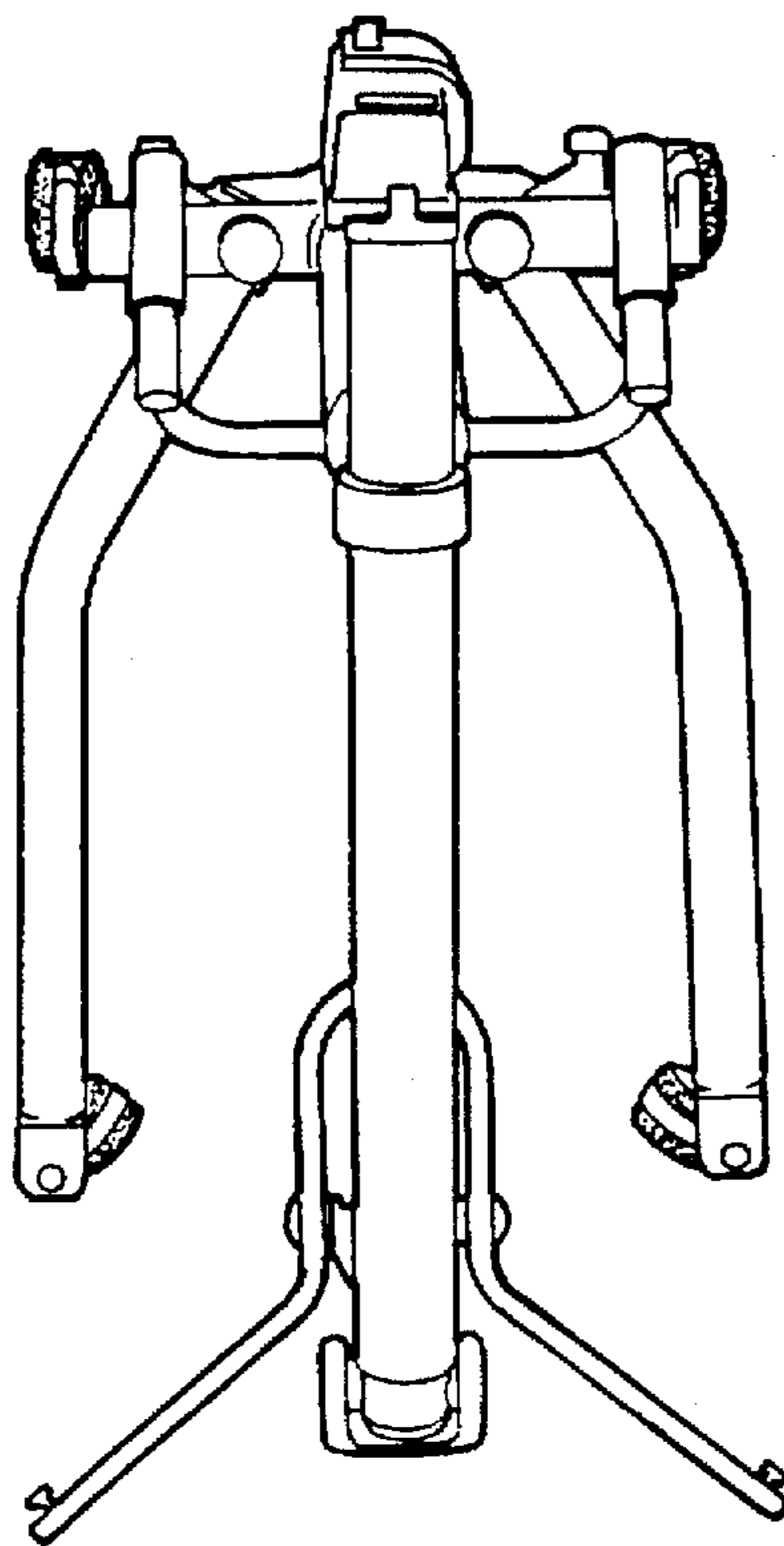


FIG 6

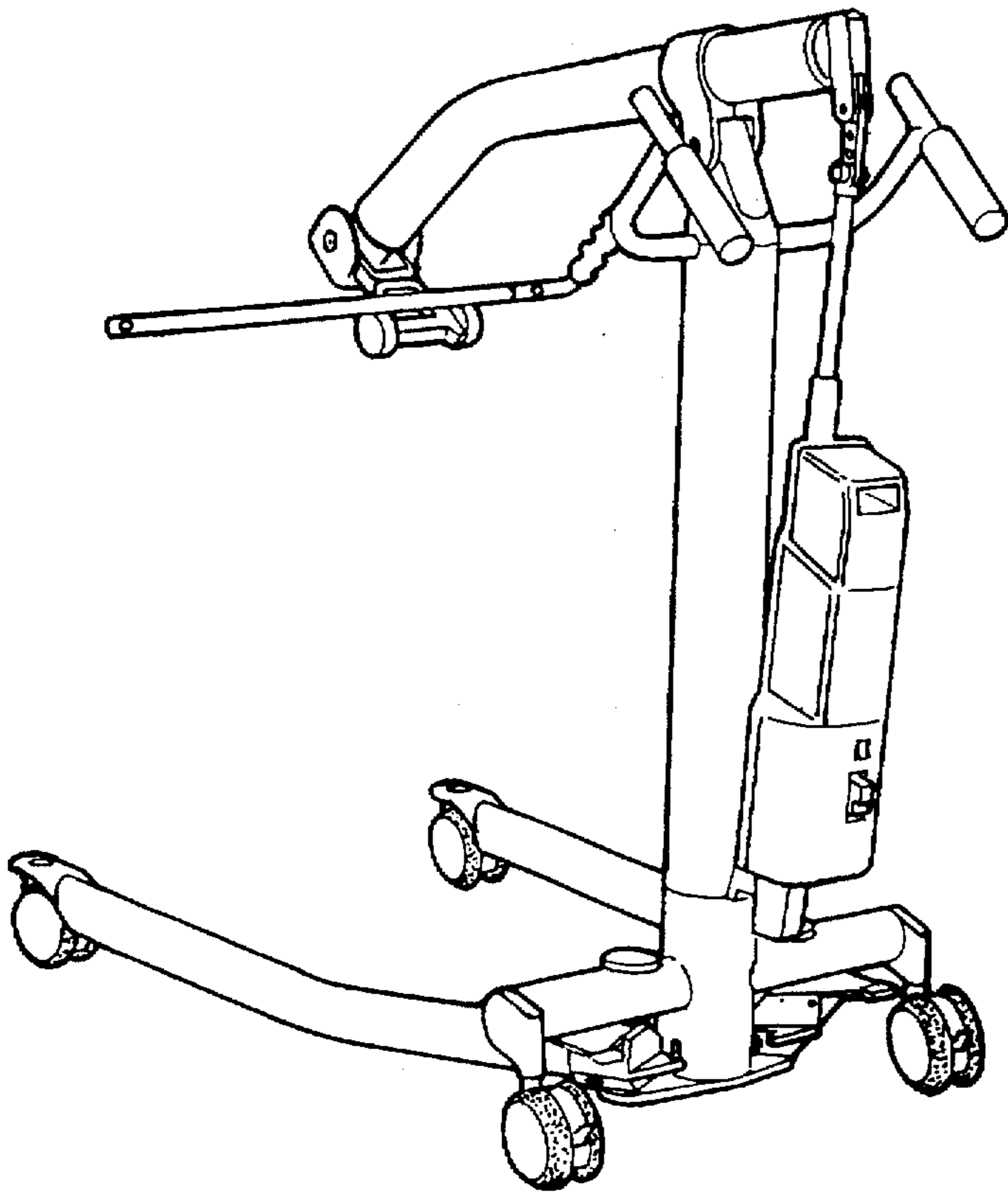


FIG 7

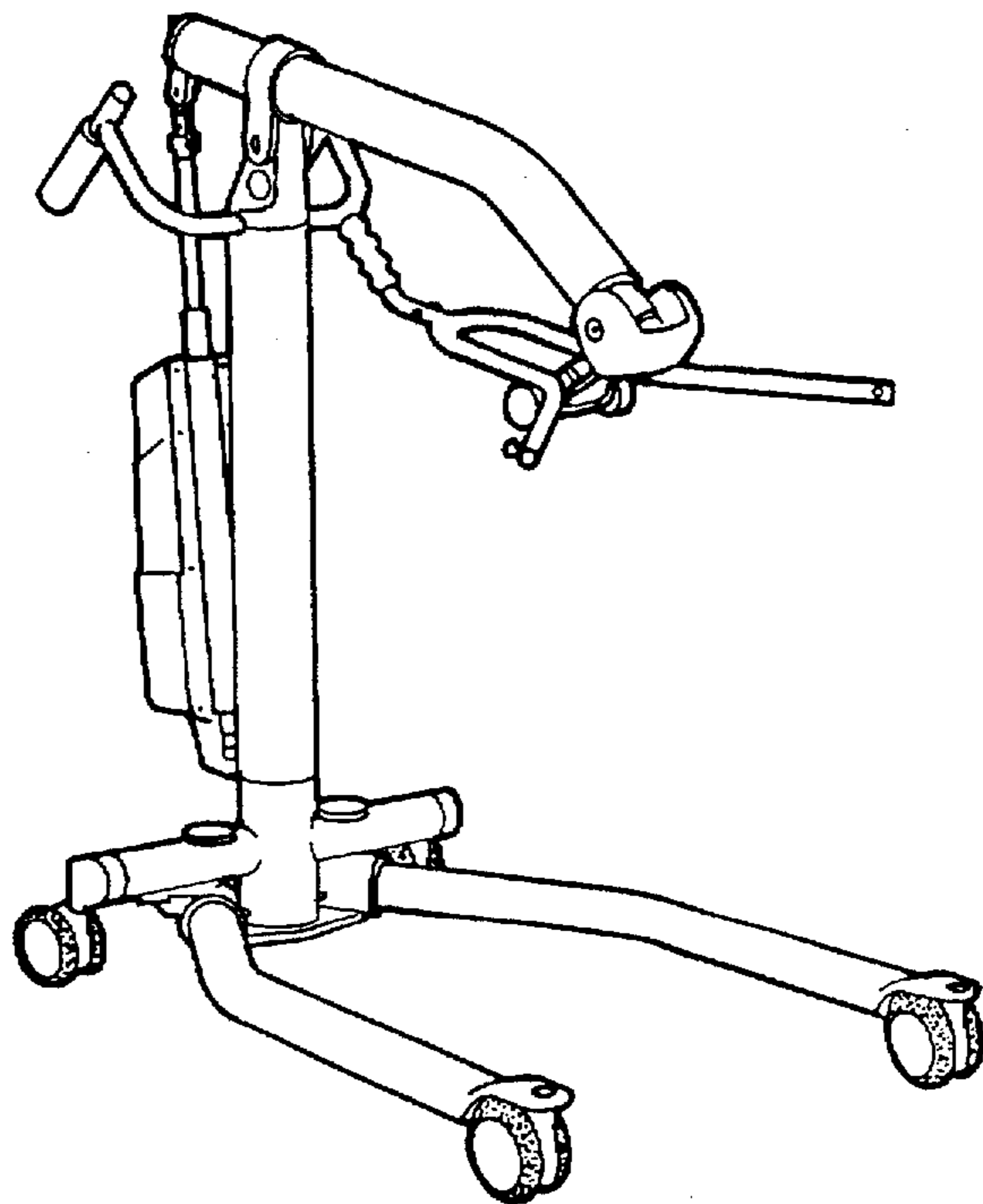


FIG 8