



US00D407995S

**United States Patent** [19]  
**Gallegos**

[11] **Patent Number: Des. 407,995**

[45] **Date of Patent: \*\*Apr. 13, 1999**

[54] **EXTENSION STRUCTURE**

3,995,397 12/1976 Despard, III ..... 47/81  
5,561,894 10/1996 Weder et al. .... 47/72 X

[76] **Inventor: Leonard Gallegos, 681 S. Duncan Ave., Los Angeles, Calif. 90022**

*Primary Examiner*—Caron D. Veynar  
*Attorney, Agent, or Firm*—Curtis L. Harrington

[\*\*] **Term: 14 Years**

[57] **CLAIM**

[21] **Appl. No.: 29/057,491**

The ornamental design for an extension structure, as shown and described.

[22] **Filed: Jul. 25, 1996**

[51] **LOC (6) Cl. .... 11-02**

[52] **U.S. Cl. .... D11/164**

[58] **Field of Search** ..... D11/143, 144,  
D11/146, 152, 153, 154, 164; D6/403, 556;  
47/1.01, 28.1, 30, 66, 72, 41.01, 41.15,  
44, 81; 206/158, 423, 589, 590; 248/27.8,  
146, 150; D26/9, 23

**DESCRIPTION**

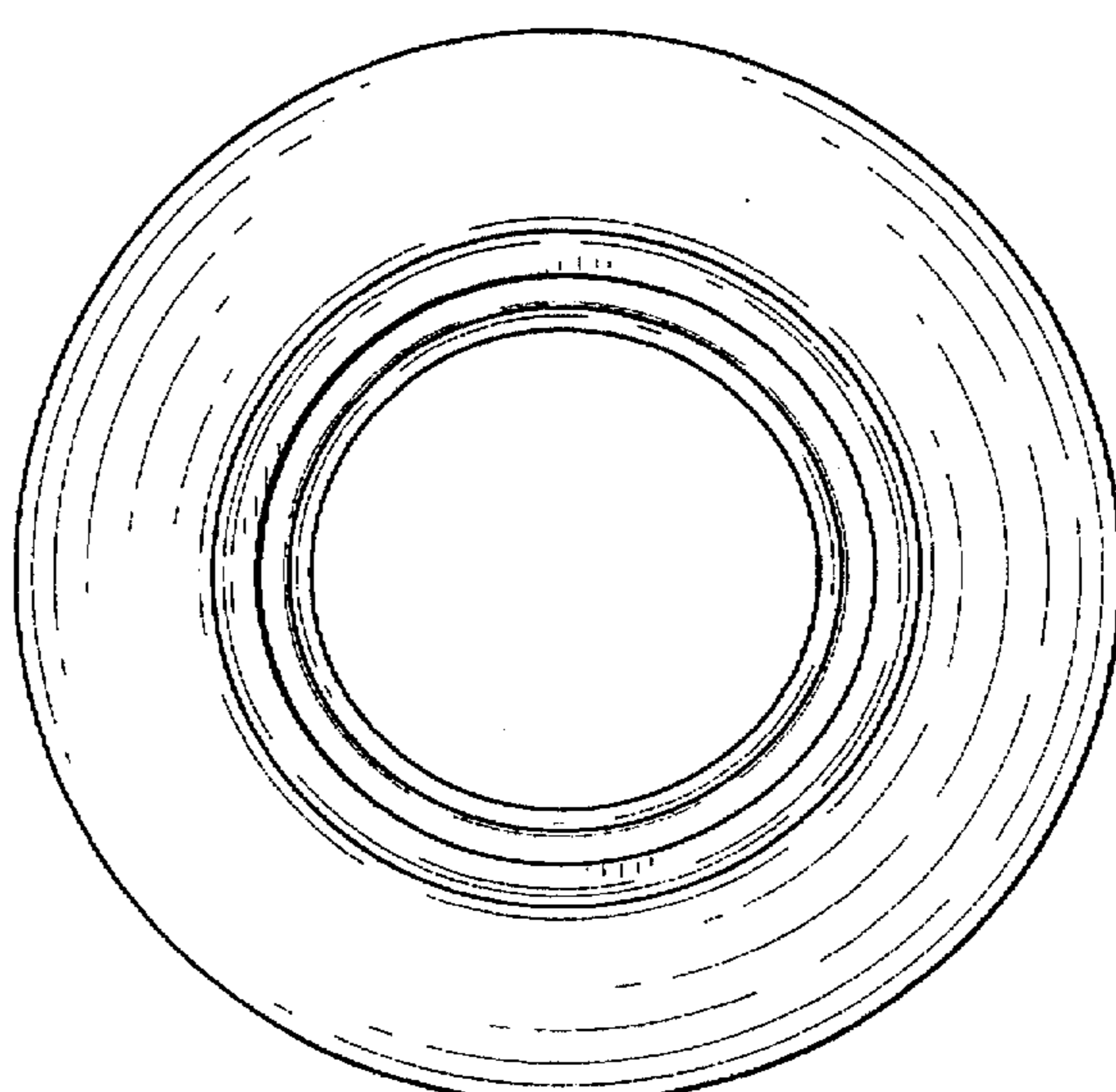
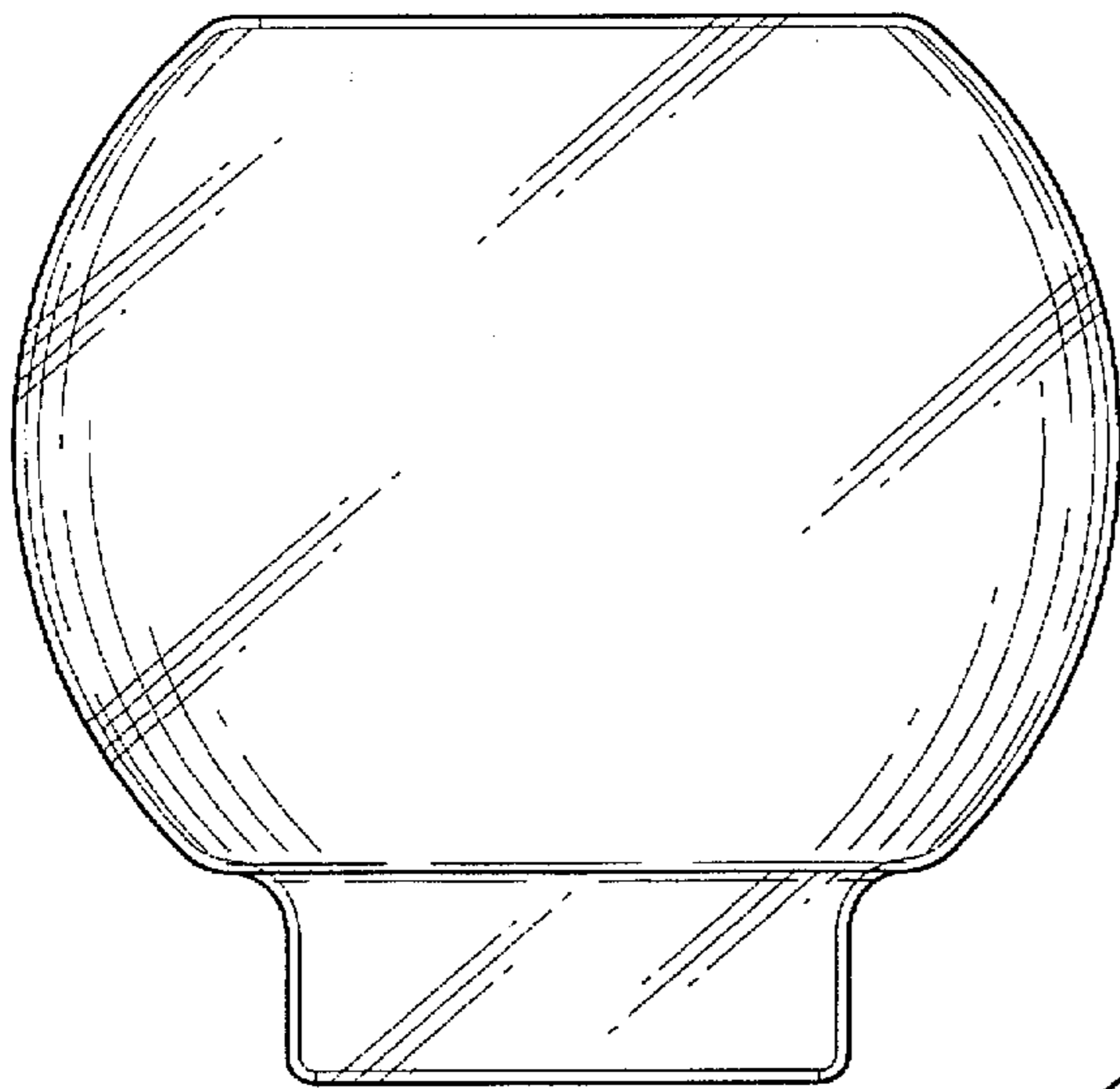
FIG. 1 is a bottom plan view of the extension structure showing my new design;  
FIG. 2 is a side elevational view, all other side views being identical thereof;  
FIG. 3 is a top plan view thereof; and,  
FIG. 4 is a cross sectional view taken along line 4—4 on FIG. 1.  
The broken line showing of a vase and a flower is for illustrative purposes only and forms no part of the claimed design.

[56] **References Cited**

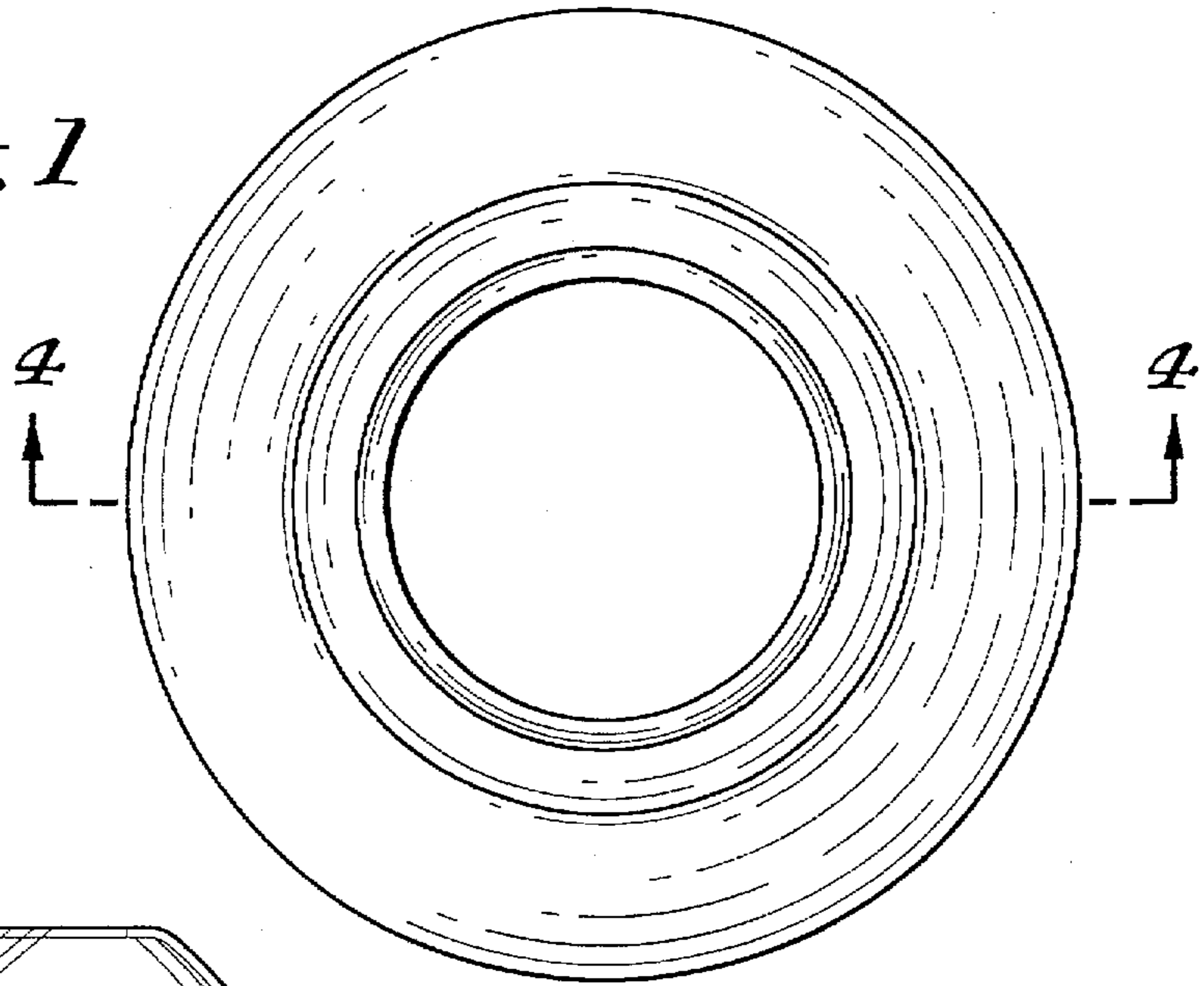
**U.S. PATENT DOCUMENTS**

D. 131,435 2/1942 Fuld ..... D11/144  
2,112,944 4/1938 Wolcott ..... 248/150 X  
2,834,461 5/1958 Dusseault ..... 206/158

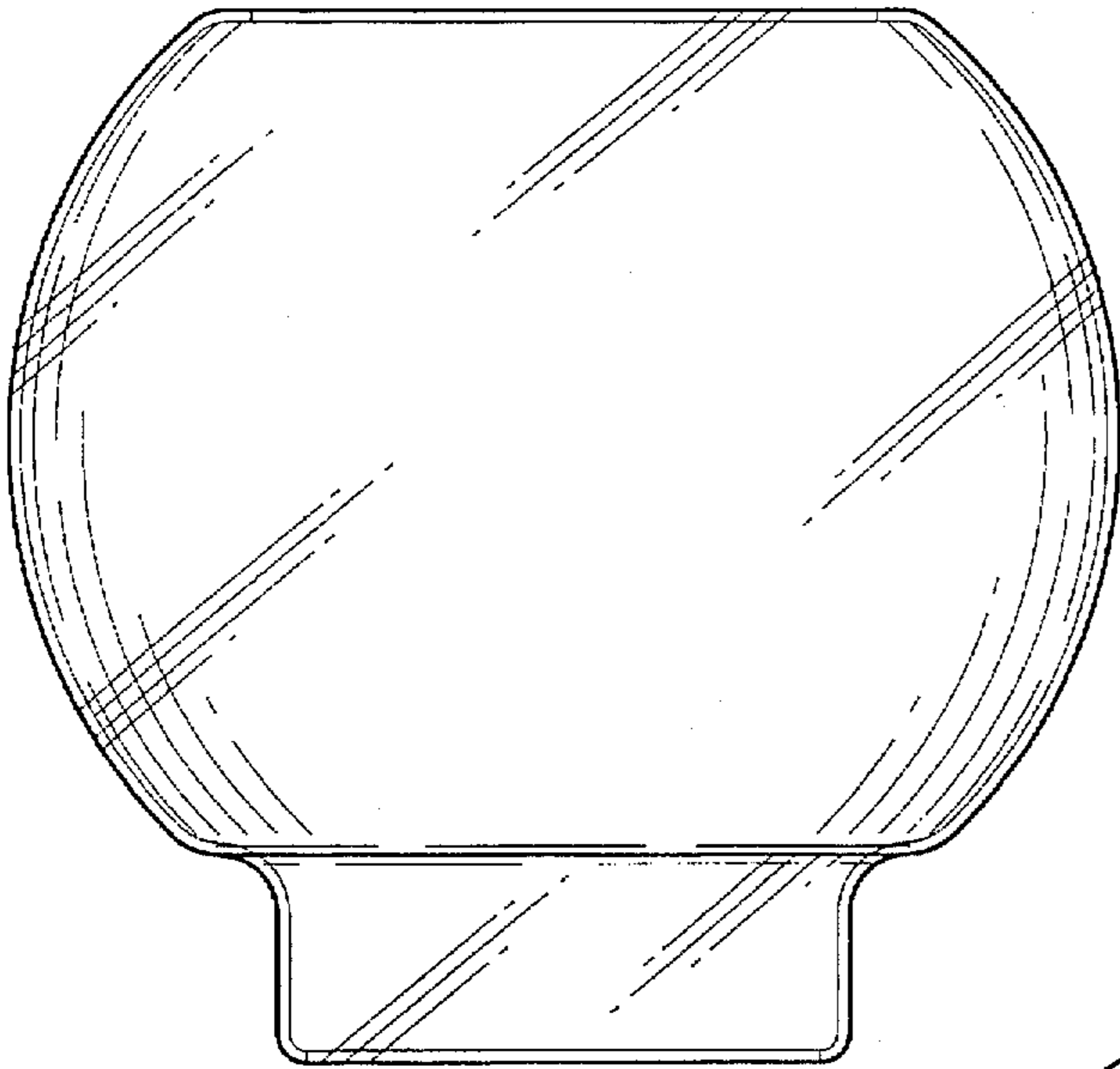
**1 Claim, 2 Drawing Sheets**



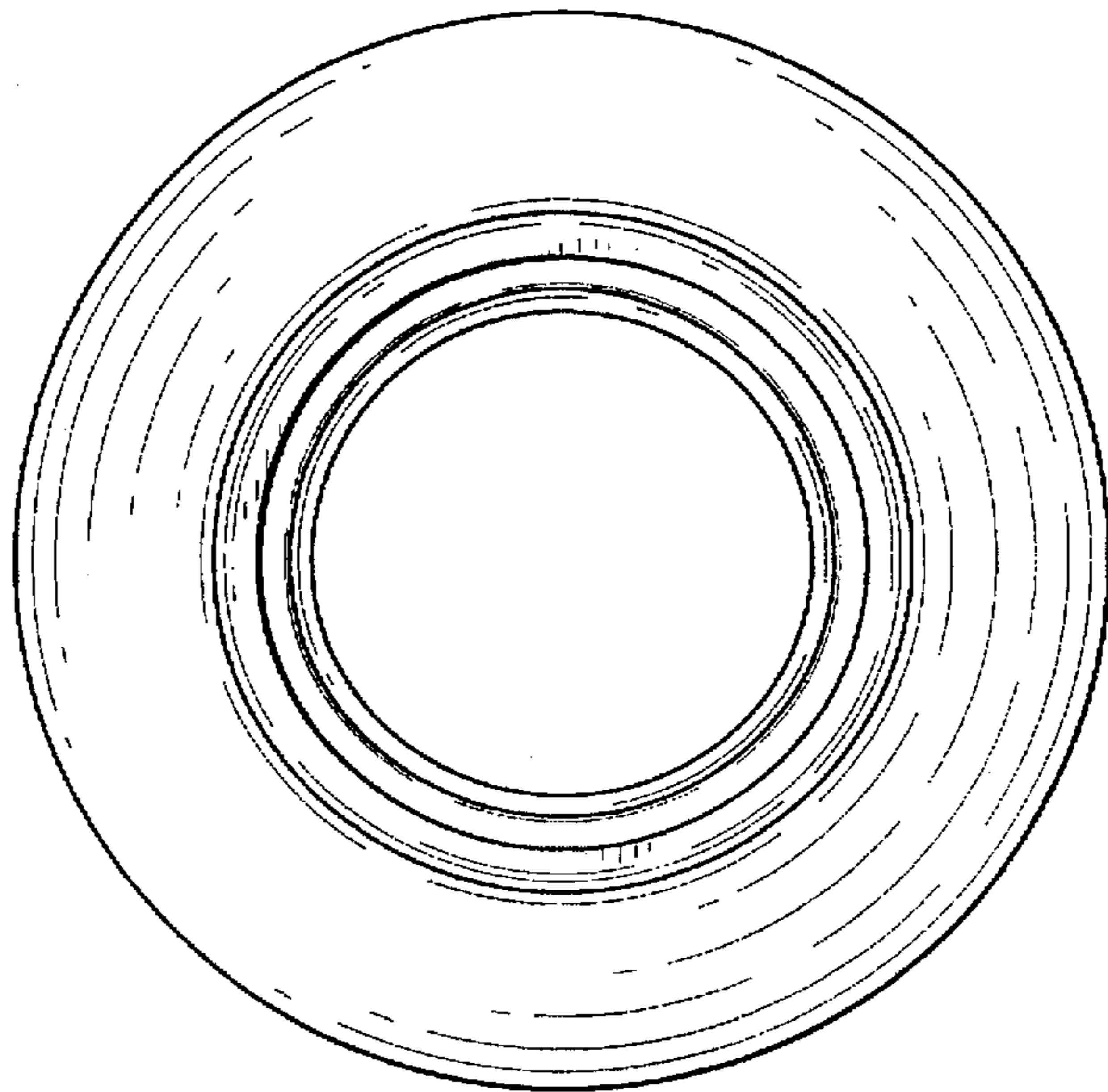
*Fig. 1*



*Fig. 2*



*Fig. 3*



*Fig. 4*

