



US00D407990S

**United States Patent** [19]  
**Akagi**

[11] **Patent Number: Des. 407,990**

[45] **Date of Patent: \*\*Apr. 13, 1999**

[54] **WATCH BAND**

[75] **Inventor: Takayasu Akagi, Fussa, Japan**

[73] **Assignee: Casio Keisanki Kabushiki Kaisha, Tokyo, Japan**

[\*\*] **Term: 14 Years**

[21] **Appl. No.: 29/092,353**

[22] **Filed: Aug. 17, 1998**

[51] **LOC (6) Cl. .... 11-01**

[52] **U.S. Cl. .... D11/3**

[58] **Field of Search .... D11/1-4, 19-21, D11/25, 86, 87; 63/1.1-3; D10/30-32**

[56] **References Cited**

**U.S. PATENT DOCUMENTS**

- D. 332,760 1/1993 Tse ..... D11/3
- D. 387,692 12/1997 Hanagata ..... D11/3
- D. 393,602 4/1998 Sang ..... D11/3

*Primary Examiner—Ralf Seifert*  
*Attorney, Agent, or Firm—Frishauf, Holtz, Goodman, Langer & Chick*

[57] **CLAIM**

The ornamental design for watch band, as shown and described.

**DESCRIPTION**

FIG. 1 is a front elevational view of watch band, showing my new design;

FIG. 2 is a left side elevational view thereof;

FIG. 3 is a right side elevational view thereof;

FIG. 4 is a rear elevational view thereof;

FIG. 5 is a top plan view thereof;

FIG. 6 is a bottom plan view thereof;

FIG. 7 is a front view thereof with one side viewed in the direction of the arrow 7—7 in FIG. 1; an opposite side viewed in the direction of the arrow 9—9 being a mirror image thereof; and,

FIG. 8 is a central vertical sectional view in FIG. 1.

**1 Claim, 2 Drawing Sheets**

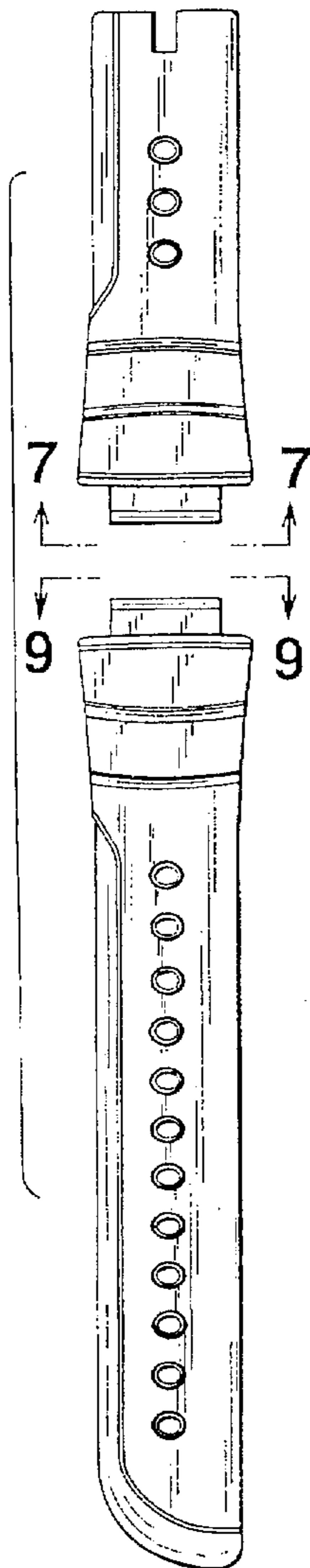


FIG.2

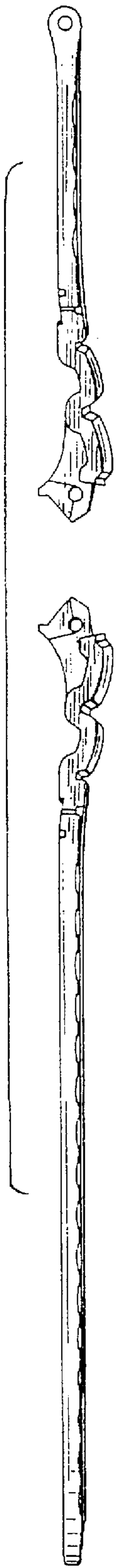


FIG.1

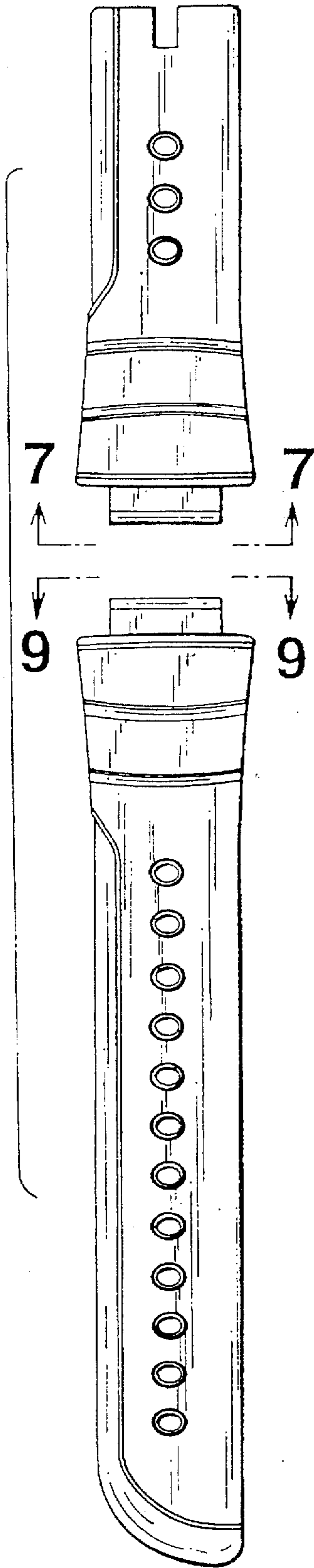


FIG.3

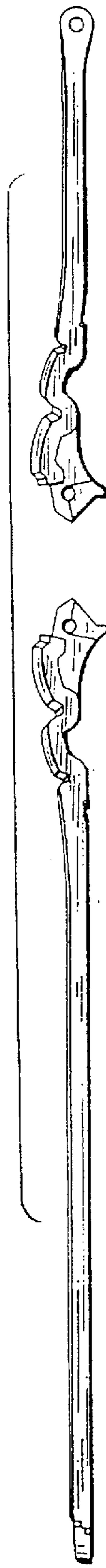
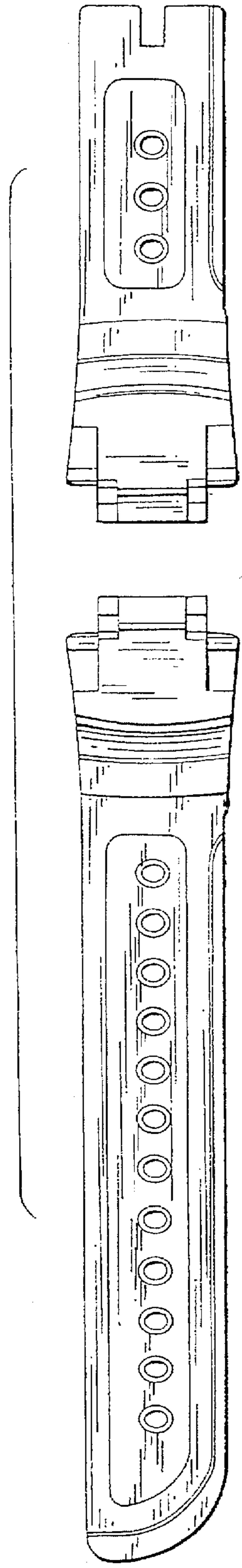
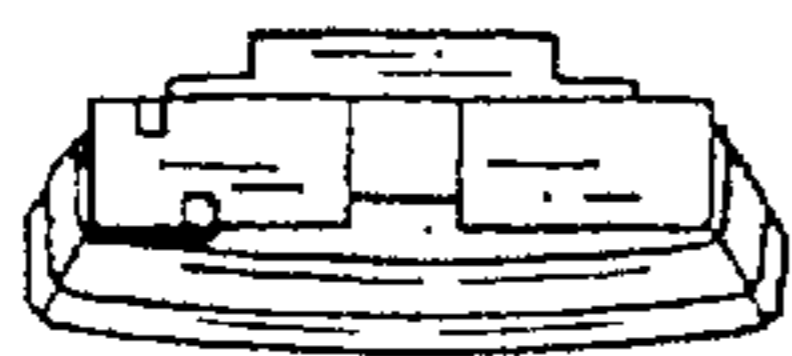


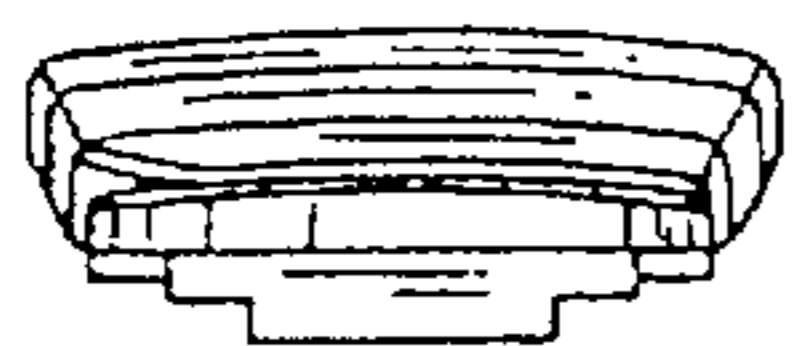
FIG.4



**FIG.5**



**FIG.6**



**FIG.7**



**FIG.8**

