



US00D407982S

United States Patent [19]
Bertolini

[11] **Patent Number: Des. 407,982**
[45] **Date of Patent: ***Apr. 13, 1999**

[54] **JAR**
[75] **Inventor: Peter Bertolini, Shelton, Conn.**
[73] **Assignee: Chesebrough-Pond's USA Co.,
Greenwich, Conn.**

D. 219,909 2/1971 Hambley et al. D9/573
D. 285,174 8/1986 Teschner D9/529 X
D. 318,620 7/1991 Kipperman et al. D9/558
D. 328,029 7/1992 Grip D9/574 X

[*] **Notice: This patent is subject to a terminal disclaimer.**

[**] **Term: 14 Years**

[21] **Appl. No.: 29/021,754**

[22] **Filed: Apr. 22, 1994**

OTHER PUBLICATIONS

Photographs (3 total) depicting various views of a Vaseline® Pure Petroleum Jelly jar and cap on sale in the USA by Chesebrough-Pond's USA Co., prior to Jan., 1993.

Primary Examiner—Lucy Lieberman
Attorney, Agent, or Firm—Milton L. Honig

[57] **CLAIM**

The ornamental design for a jar, as shown and described.

Related U.S. Application Data

DESCRIPTION

[63] **Continuation-in-part of application No. 29/003,430, Jan. 6, 1993, Pat. No. Des. 348,395.**

FIG. 1 is a perspective view of the jar showing my new design;

[51] **LOC (6) Cl. 09-01**

FIG. 2 is a front elevational view of FIG. 1, the rear elevational view being the same;

[52] **U.S. Cl. D9/548; D9/571; D9/573**

FIG. 3 is a right side elevational view of FIG. 1, the left side elevational view being the same;

[58] **Field of Search D9/558, 572, 573, D9/574, 575, 548, 529, 571; 215/1 R, 1 C**

FIG. 4 is a top plan view of FIG. 1; and,

FIG. 5 is a bottom plan view of FIG. 1.

[56] **References Cited**

The broken line structures in FIG. 1 through FIG. 4 are for illustrative purposes only and form no part of the design.

U.S. PATENT DOCUMENTS

D. 207,189 3/1967 Thomson D9/558

1 Claim, 1 Drawing Sheet

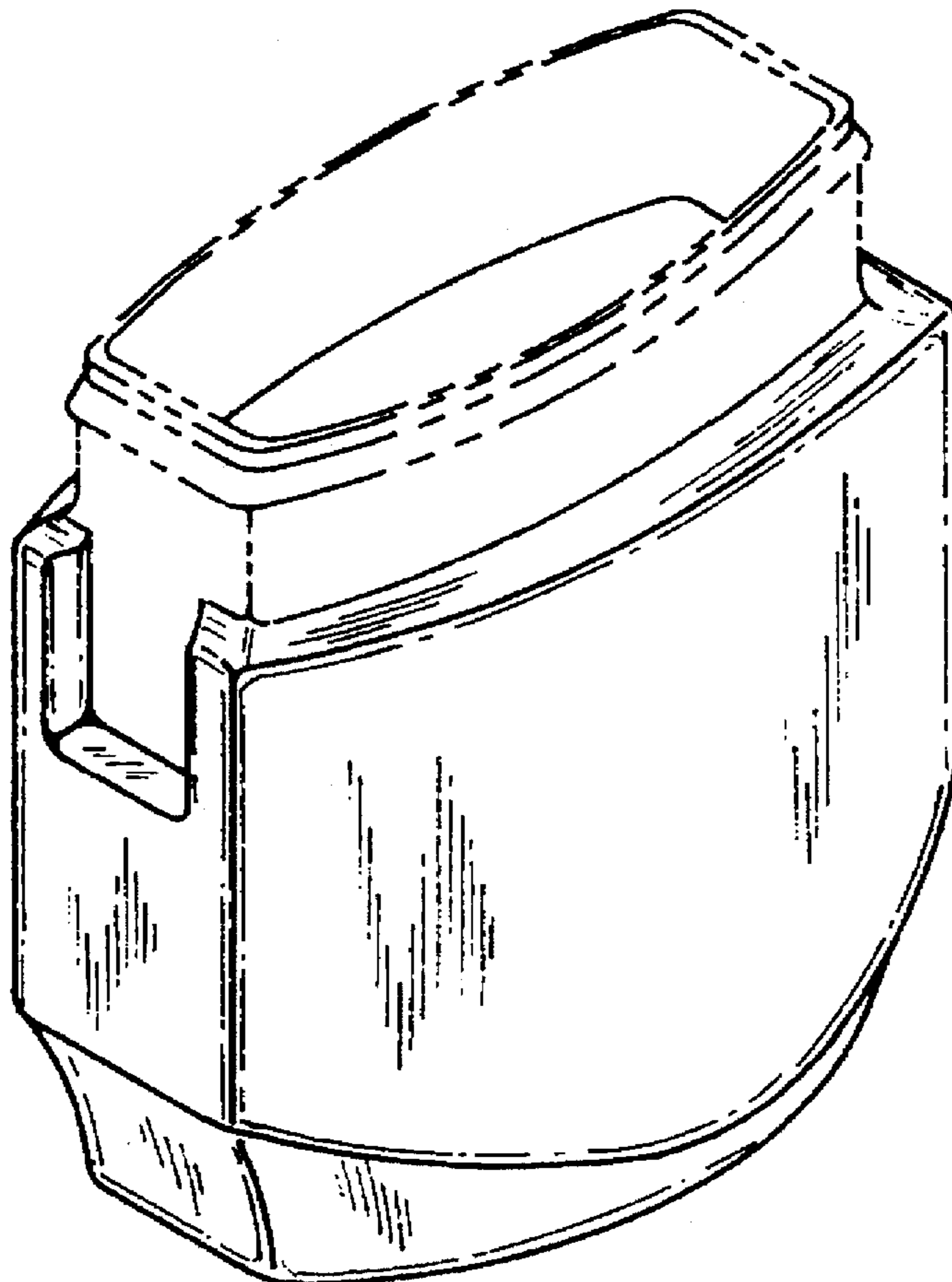


FIG. 1

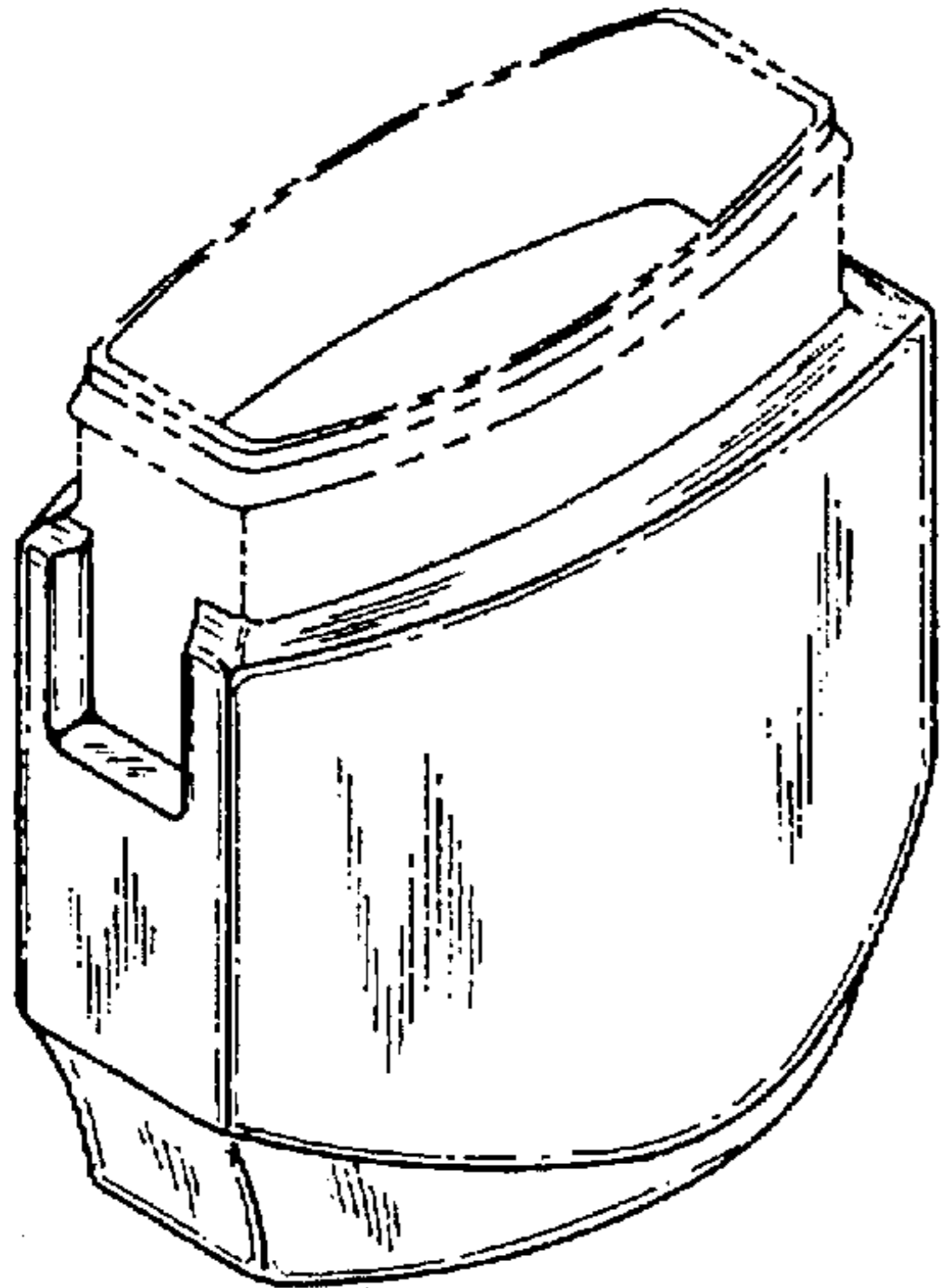


FIG. 4

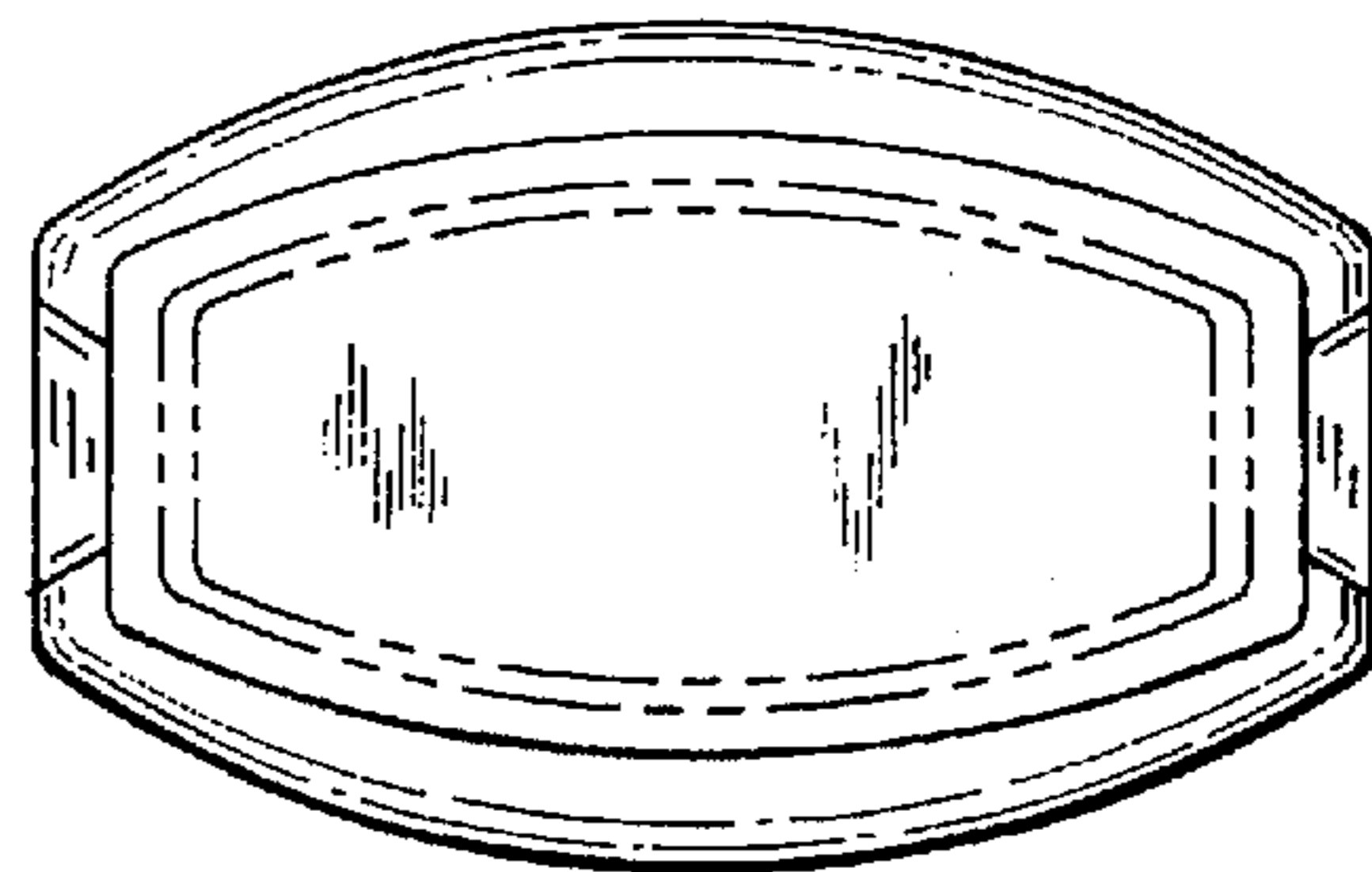


FIG. 3

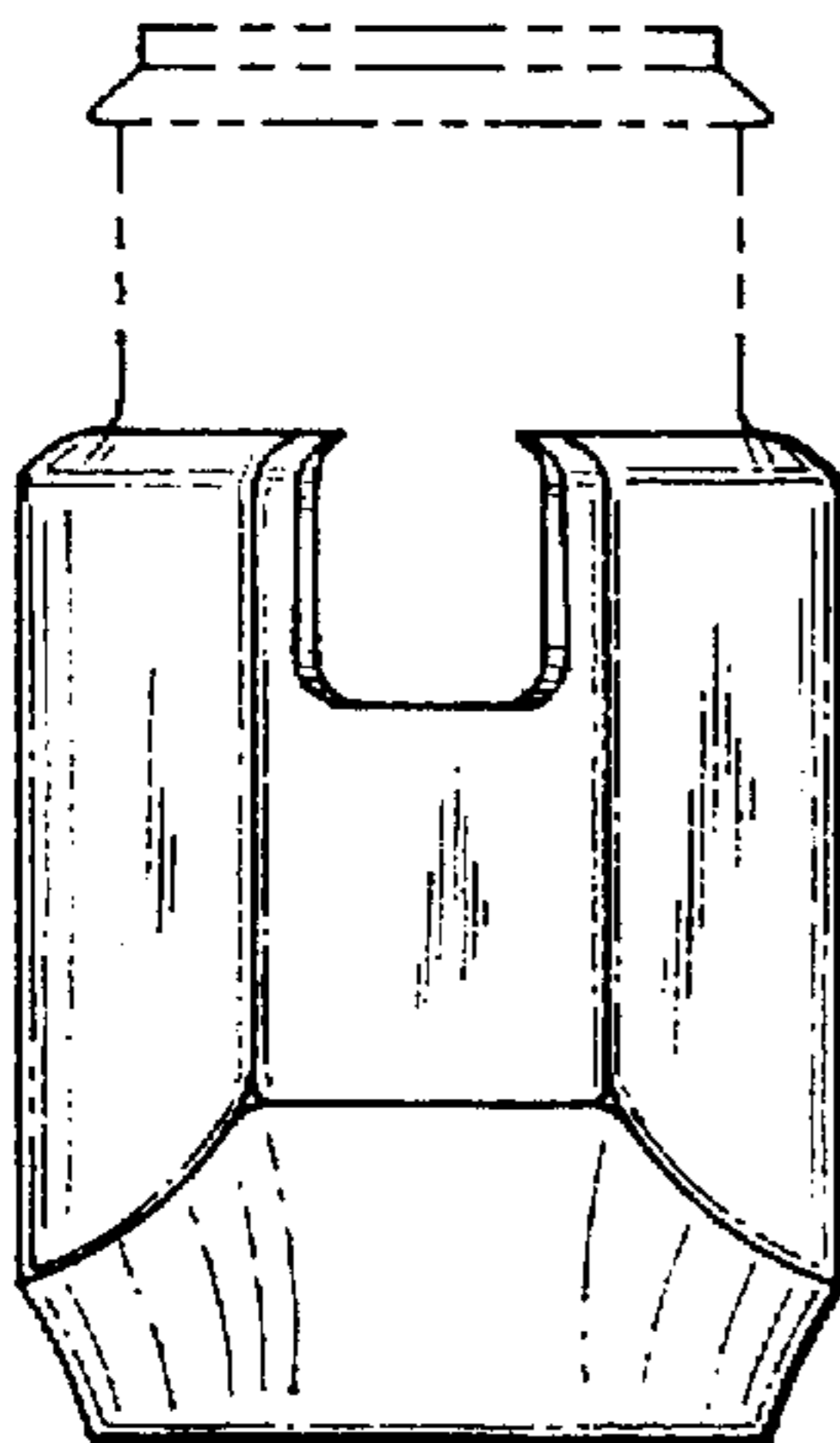


FIG. 2

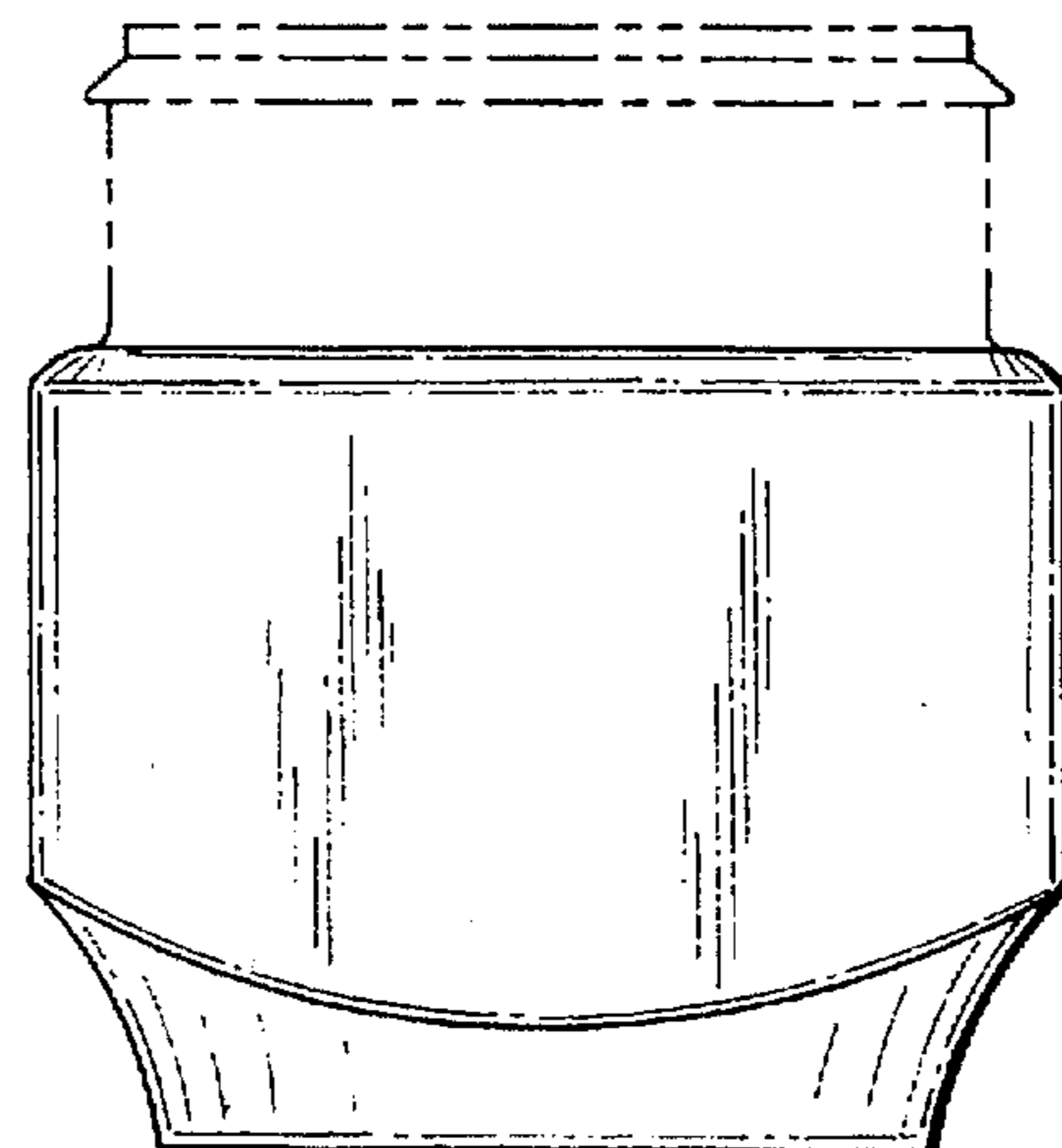


FIG. 5

