



US00D407979S

# United States Patent [19]

[11] Patent Number: **Des. 407,979**

Zemlo

[45] Date of Patent: **\*\*Apr. 13, 1999**

[54] **REVERSE TAPER SMOOTH CLOSURE**

[75] Inventor: **Bridgett Zemlo**, West Chicago, Ill.

[73] Assignee: **Phoenix Closures, Inc.**, Naperville, Ill.

[\*] Notice: This patent is subject to a terminal disclaimer.

[\*\*] Term: **14 Years**

[21] Appl. No.: **29/089,289**

[22] Filed: **Jun. 11, 1998**

[51] LOC (6) Cl. .... **09-07**

[52] U.S. Cl. .... **D9/454**

[58] Field of Search ..... D9/435, 439, 443, D9/452, 453, 454, 503, 504, 505, 529, 545; D7/629; D8/312; 215/252-256, 355, 356; 220/276

[56] **References Cited**

**U.S. PATENT DOCUMENTS**

D. 24,862	11/1895	Abbott	.....	D9/453
D. 203,361	12/1965	Becker	.....	D9/435
D. 278,680	5/1985	Guzzini	.....	D9/505
4,474,304	10/1984	Jacobs	.....	215/256 X
5,603,422	2/1997	Herrmann	.....	215/256

*Primary Examiner*—Doris I. Coles  
*Assistant Examiner*—Cathron B. Matta  
*Attorney, Agent, or Firm*—Welsh & Katz, Ltd.

[57] **CLAIM**

The ornamental design for a reverse taper smooth closure, as shown and described.

**DESCRIPTION**

FIG. 1 is a perspective view of the reverse taper smooth closure of the subject invention;  
 FIG. 2 is a side view of the reverse taper smooth closure of FIG. 1, the opposite side being identical;  
 FIG. 3 is a top plan view of the reverse taper smooth closure of FIG. 1;  
 FIG. 4 is a bottom plan view of the reverse taper smooth closure of FIG. 1;  
 FIG. 5 is a perspective view of another embodiment of the reverse taper smooth closure of the subject invention having a tamper evident band;  
 FIG. 6 is a side view of the reverse taper smooth closure of FIG. 5;  
 FIG. 7 is a top plan view of the reverse taper smooth closure of FIG. 5; and,  
 FIG. 8 is a bottom plan view of the reverse taper smooth closure of FIG. 5.

**1 Claim, 2 Drawing Sheets**

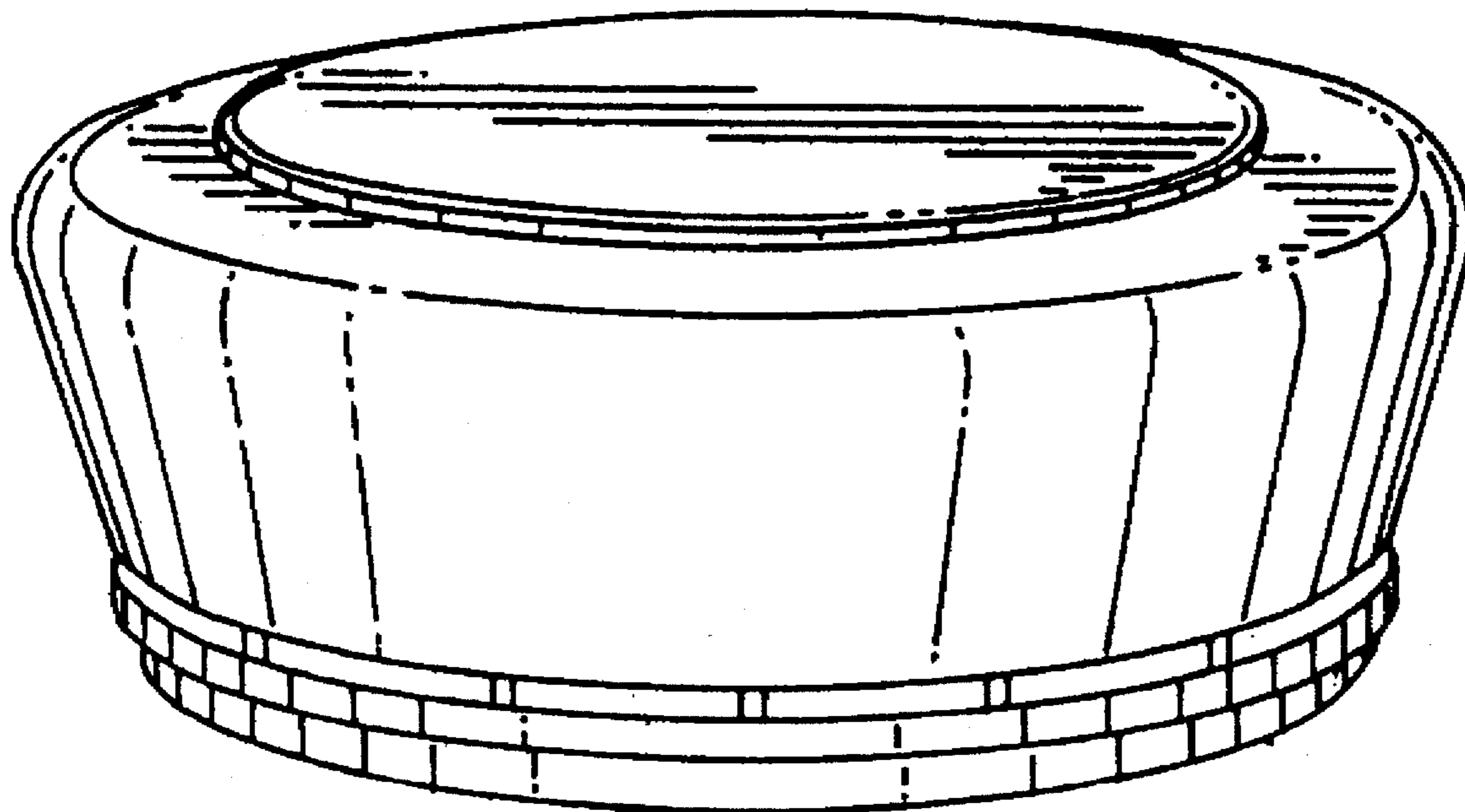


FIG. 1

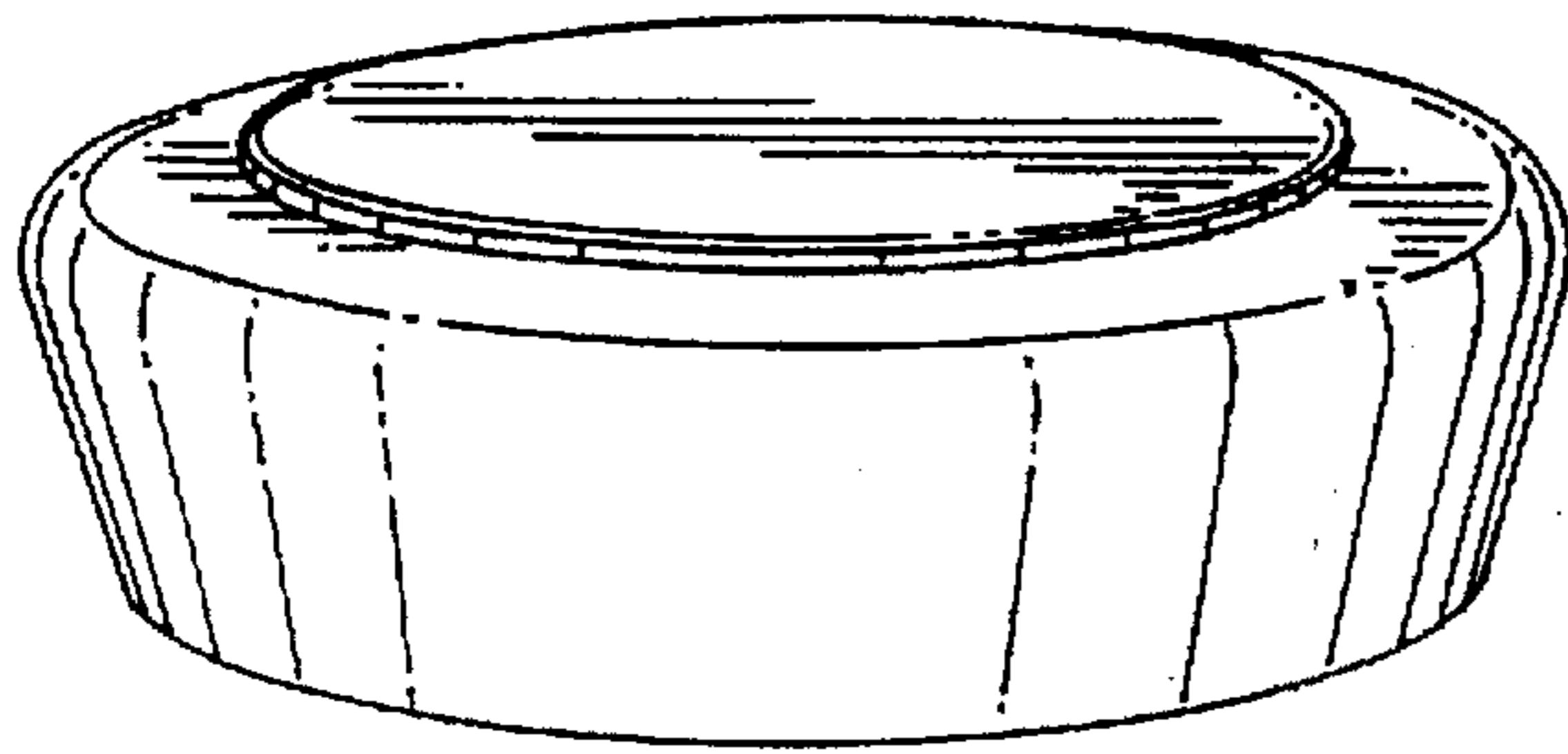


FIG. 2

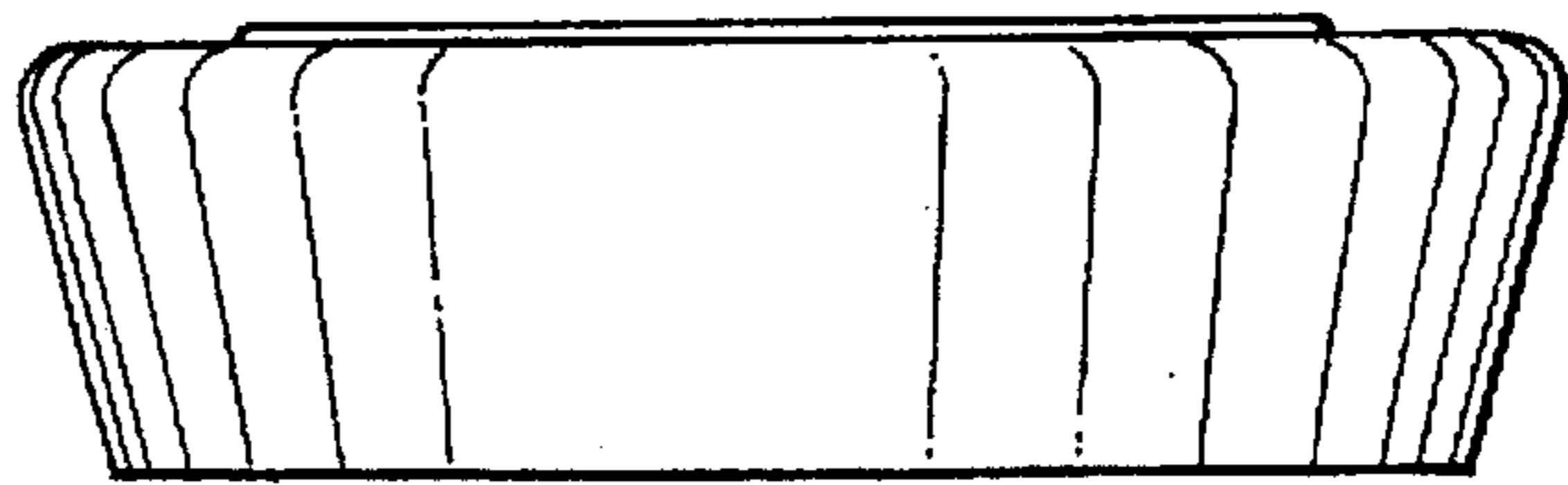


FIG. 3

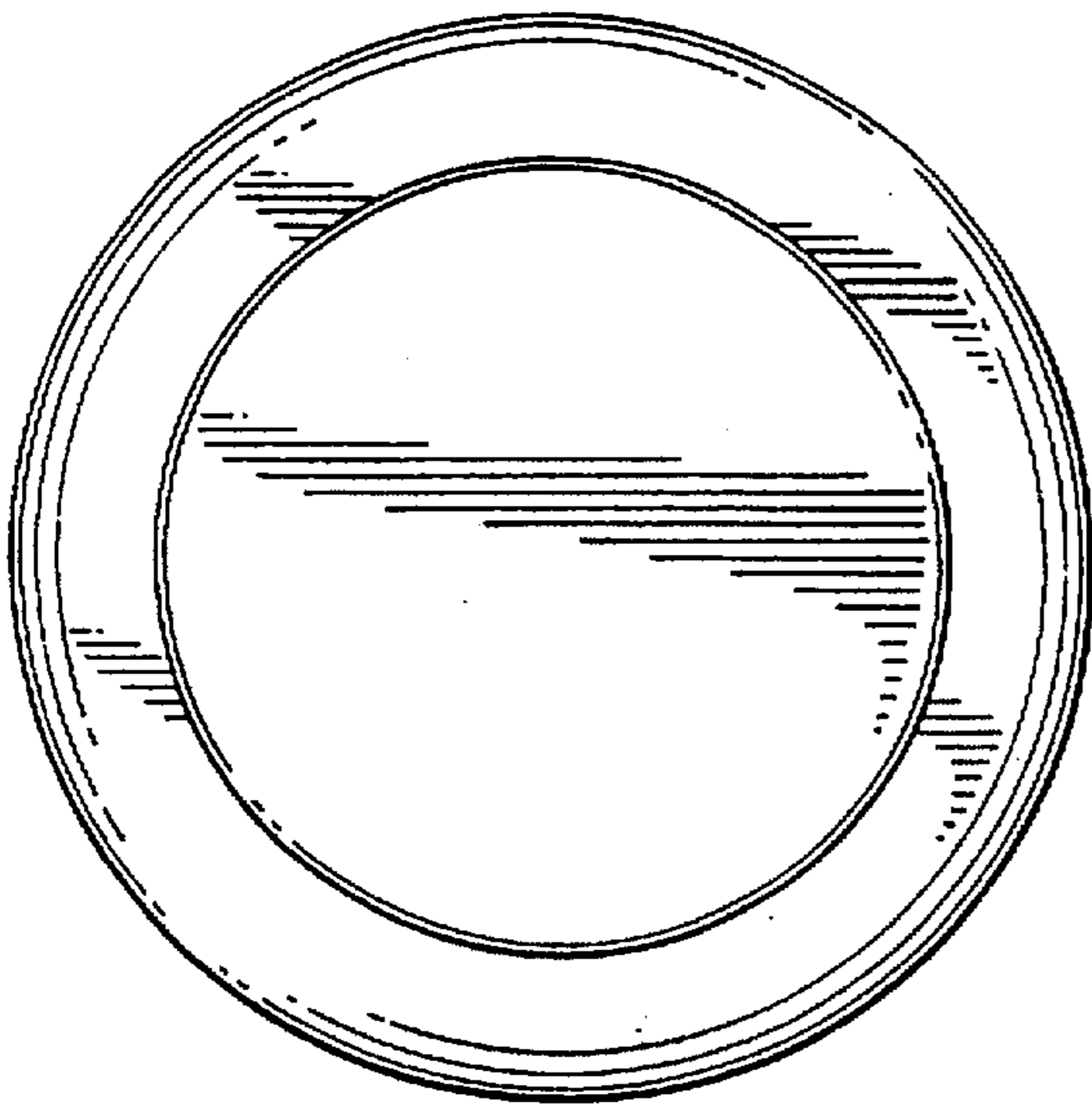


FIG. 4

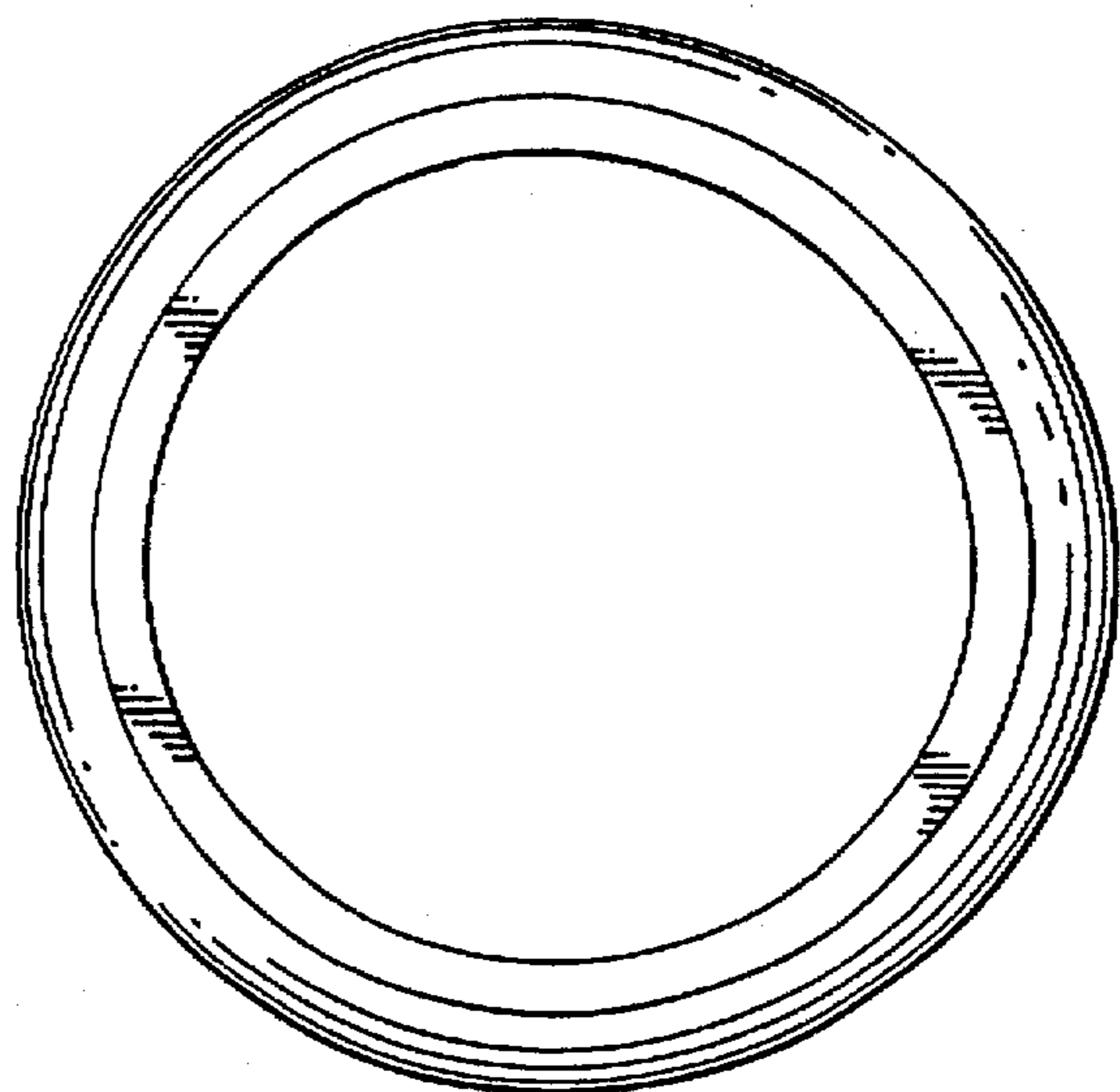


FIG. 5

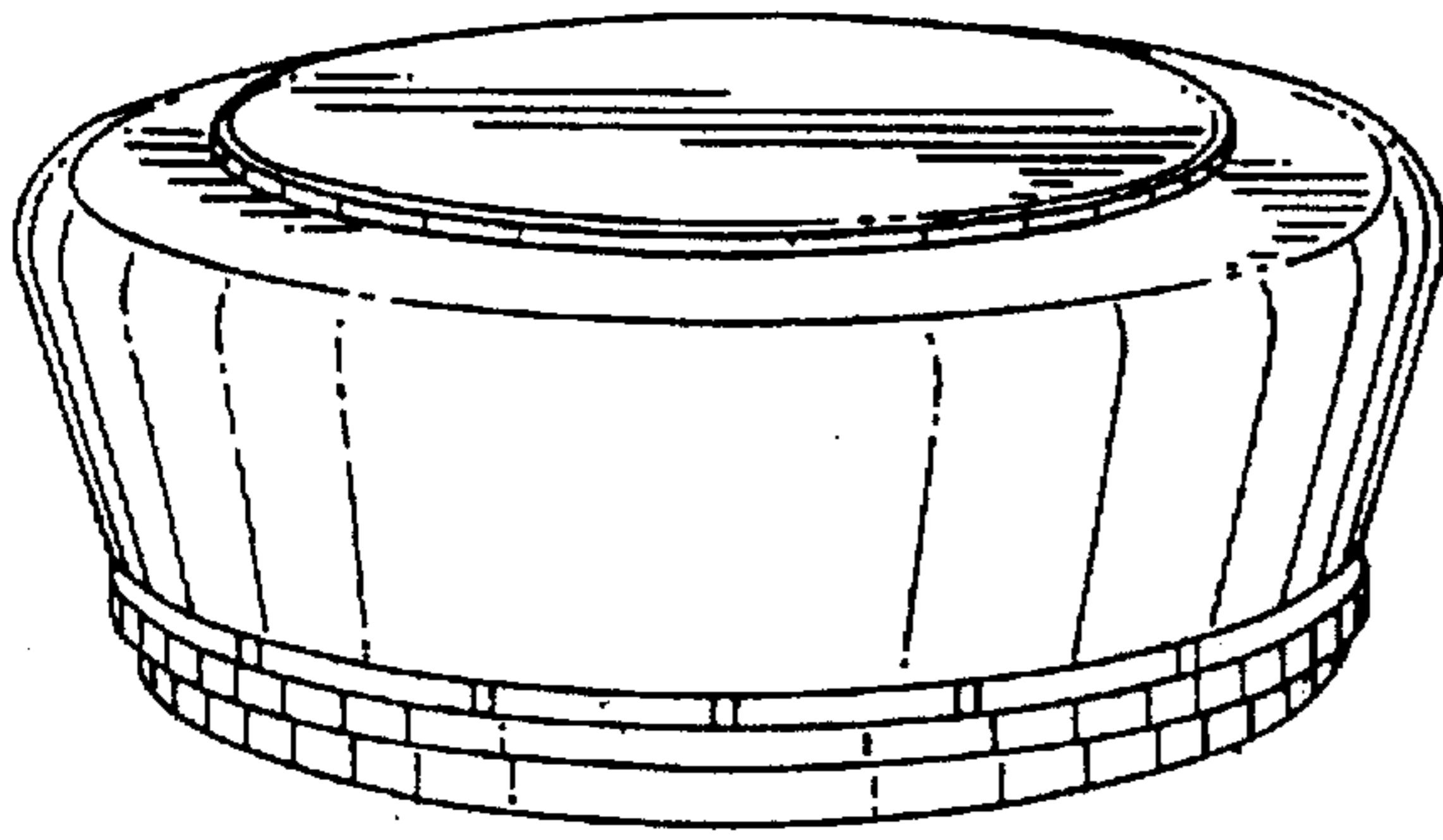


FIG. 6

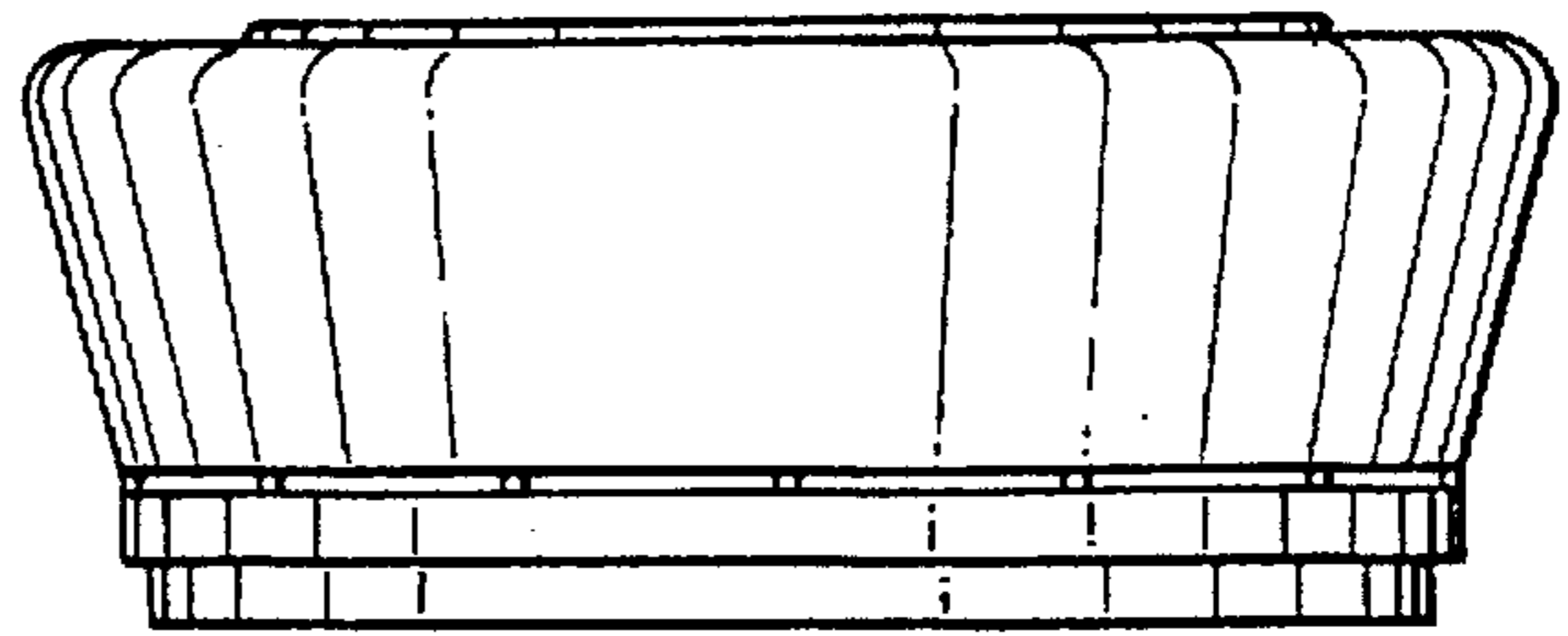


FIG. 7

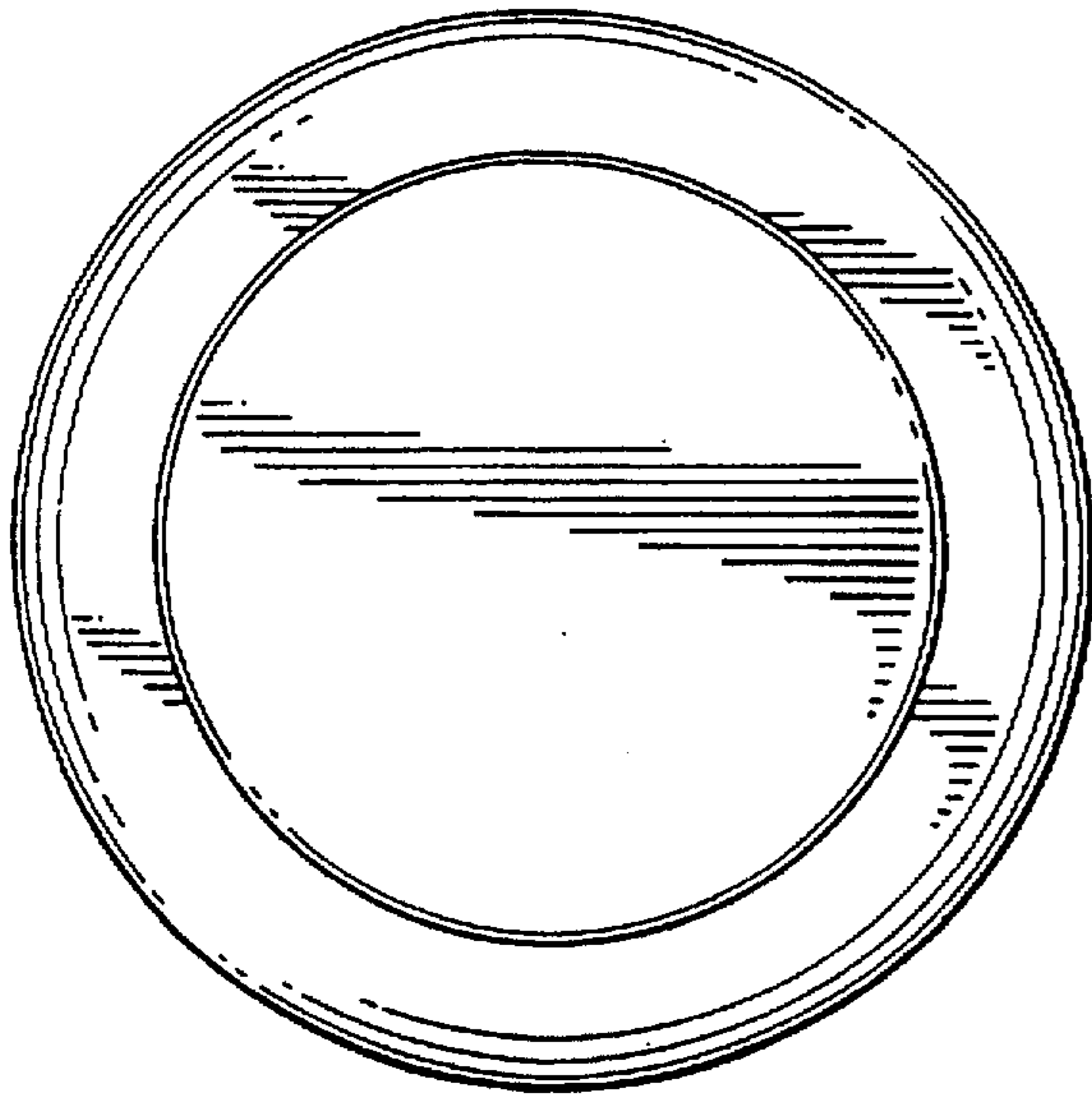


FIG. 8

