



US00D407975S

# United States Patent [19]

Lund et al.

[11] Patent Number: **Des. 407,975**

[45] Date of Patent: **\*\*Apr. 13, 1999**

[54] **NOZZLE**  
[75] Inventors: **Mark Thomas Lund**, West Chester;  
**William Scott Andes**, Springfield, both  
of Ohio

[73] Assignee: **The Procter & Gamble Co.**,  
Cincinnati, Ohio

[\*\*] Term: **14 Years**

[21] Appl. No.: **29/085,812**

[22] Filed: **Mar. 31, 1998**

[51] **LOC (6) Cl.** ..... **09-07**

[52] **U.S. Cl.** ..... **D9/434; D9/448**

[58] **Field of Search** ..... D9/434, 447, 448,  
D9/449, 499, 300; 220/915; 222/402, 402.1,  
402.13, 553, 562, 565, 566, 572; 239/106,  
333, 337

[56] **References Cited**

**U.S. PATENT DOCUMENTS**

D. 325,357 4/1992 Worthington ..... D9/300 X

3,726,964 4/1973 Krejci ..... 222/566 X  
5,161,716 11/1992 Knickerbocker ..... 222/153.1  
5,676,311 10/1997 Hartman ..... 239/337 X  
5,678,765 10/1997 Dobbs et al. .... 239/333

*Primary Examiner*—James Gandy  
*Assistant Examiner*—Cathron B. Matta  
*Attorney, Agent, or Firm*—William Scott Andes

[57] **CLAIM**

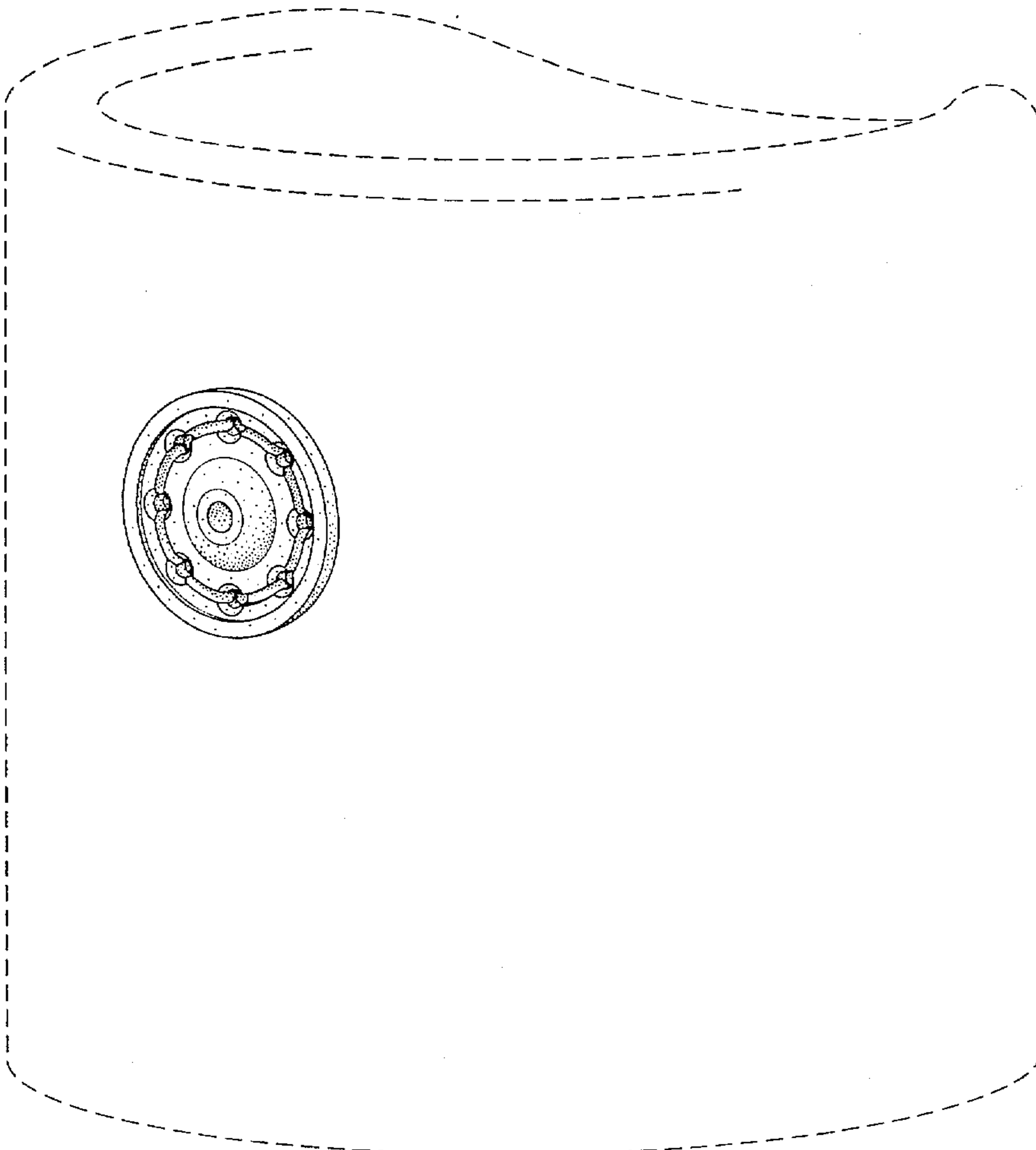
The ornamental design for a nozzle, as shown and described.

**DESCRIPTION**

FIG. 1 shows a perspective view of the nozzle;  
FIG. 2 shows a front view of the nozzle; and,  
FIG. 3 shows a side view of the nozzle, the other side view  
being a mirror image thereof.

The nozzle of the present invention may be employed in  
various contexts but advantageously may be employed in the  
form of a nozzle insert in an actuator. The outline of a  
representative actuator is shown in broken lines for illustra-  
tive purposes only and forms no part of the claimed design.

**1 Claim, 3 Drawing Sheets**



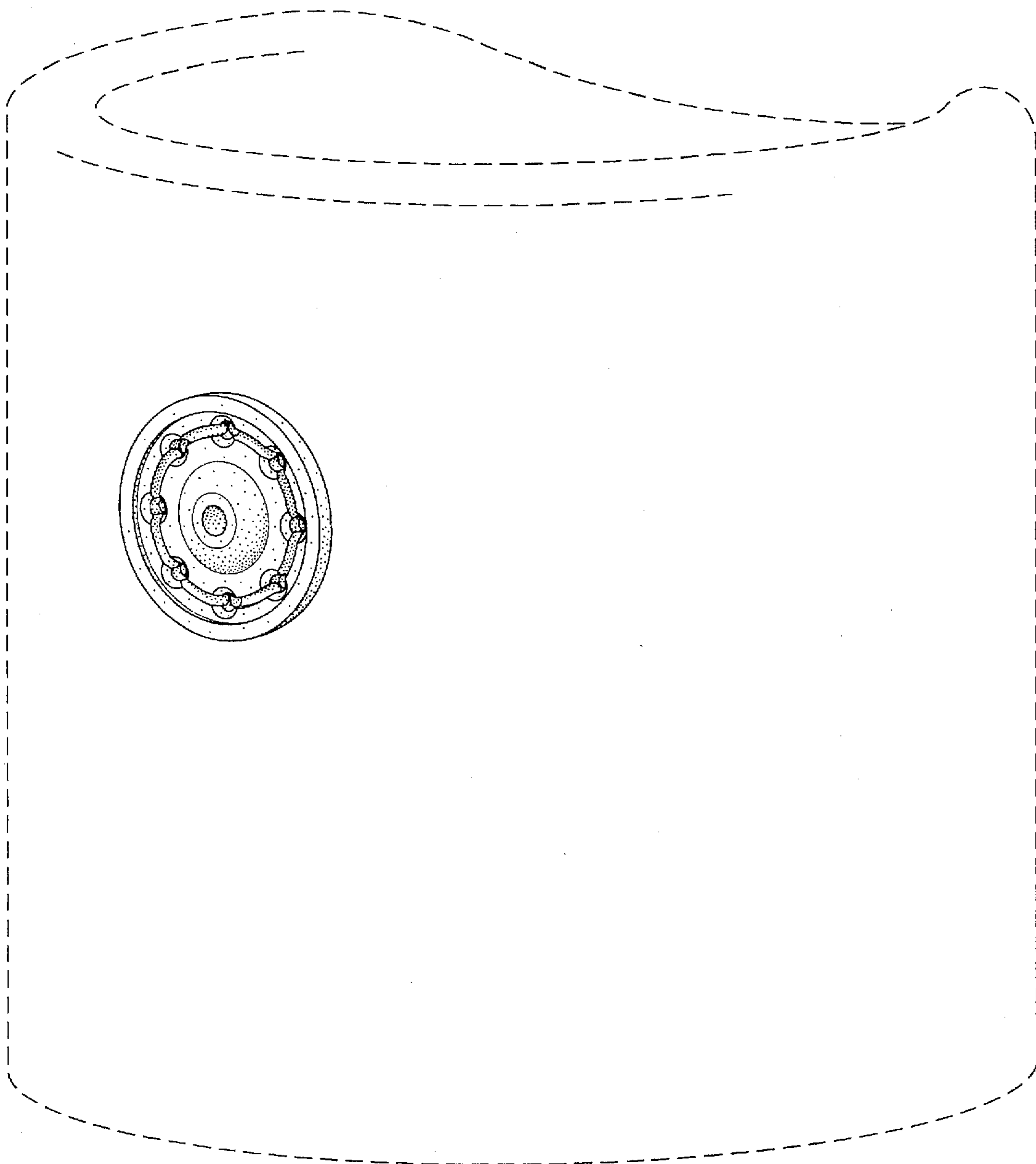


Fig. 1

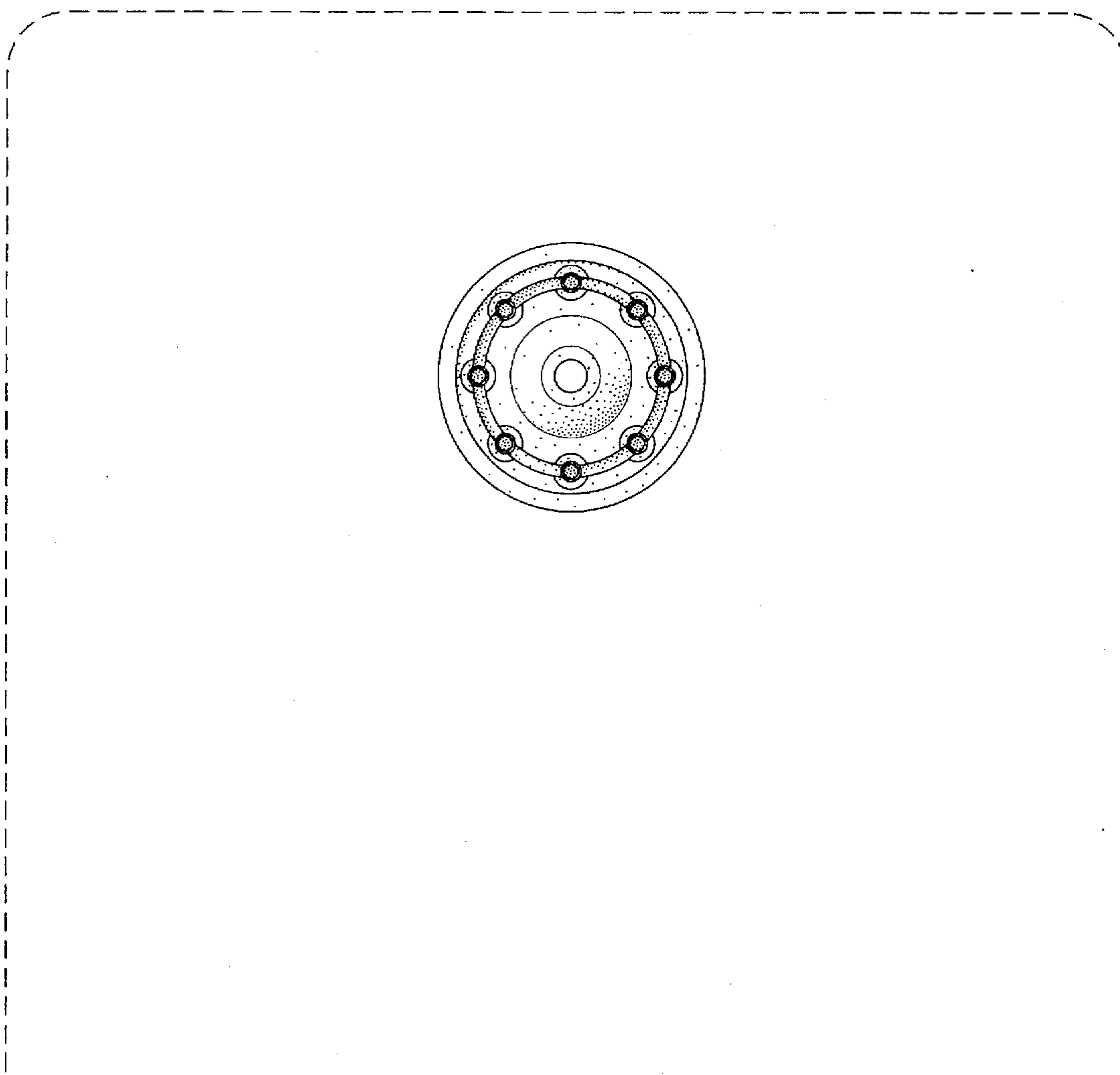


Fig. 2

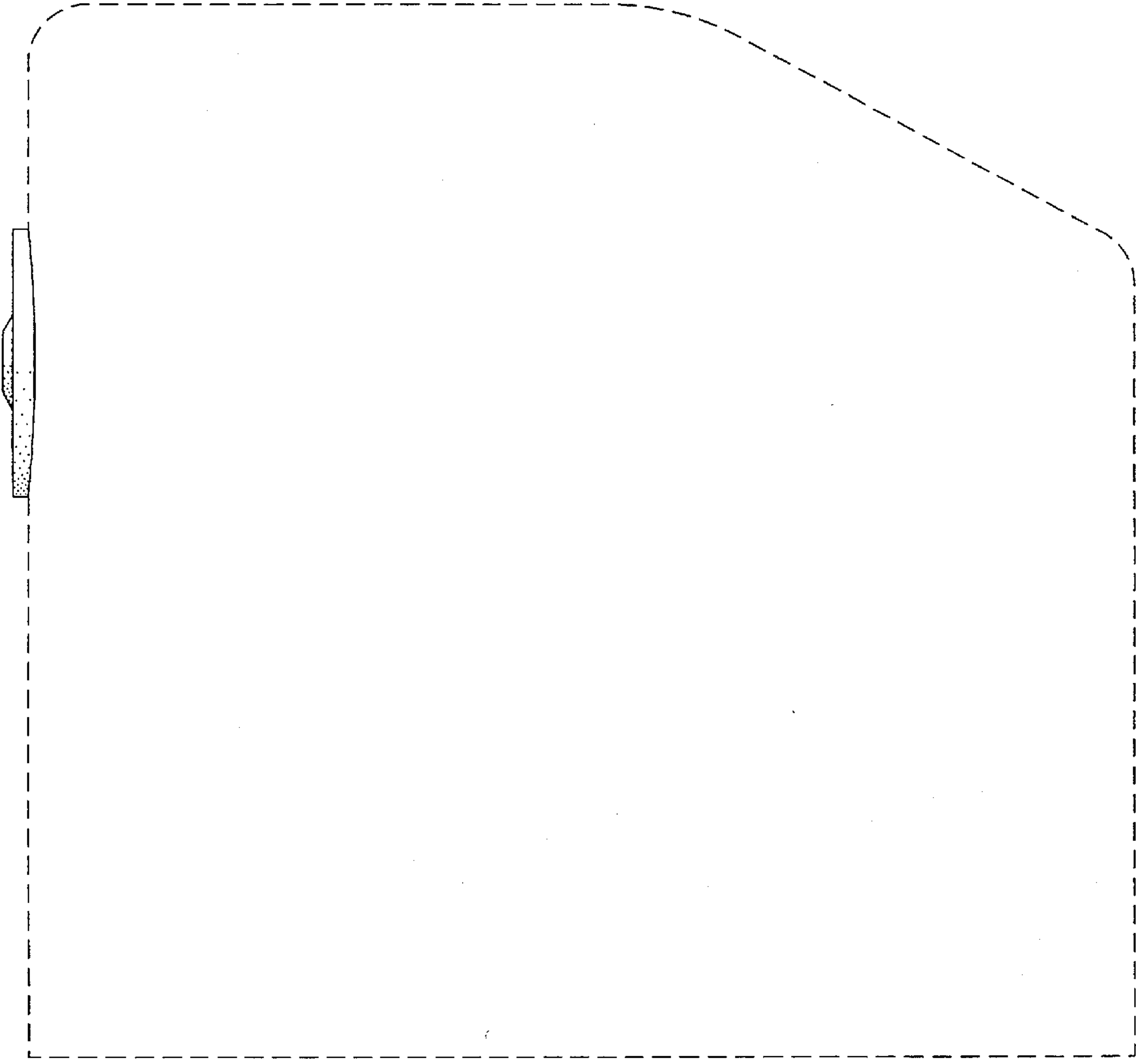


Fig. 3