



US00D407972S

United States Patent [19]

[11] Patent Number: **Des. 407,972**

Hilton

[45] Date of Patent: ****Apr. 13, 1999**

[54] **SLIDING CASE**

5,383,552 1/1995 Dikowitz 206/301 X
5,562,212 10/1996 Rosler 220/8 X

[75] Inventor: **Louise Hilton**, Nottinghamshire, United Kingdom

OTHER PUBLICATIONS

Packaging, p. 115, Item #283, 1959.

[73] Assignee: **Optoplast Manufacturing Company, Ltd.**, Liverpool, United Kingdom

Primary Examiner—Prabhakar G. Deshmukh
Attorney, Agent, or Firm—Cobrin & Gittes

[**] Term: **14 Years**

[57] CLAIM

[21] Appl. No.: **29/084,050**

The ornamental design for a sliding case, as shown and described.

[22] Filed: **Feb. 23, 1998**

DESCRIPTION

[30] Foreign Application Priority Data

Sep. 9, 1997 [GB] United Kingdom 2068936

FIG. 1 is a front top and right side perspective view of a sliding case in a closed condition in accordance with my invention;

[51] LOC (6) Cl. **09-07**

[52] U.S. Cl. **D9/422; D9/424**

FIG. 2 is a rear, bottom and left side perspective view thereof;

[58] Field of Search D9/422, 424, 432, D9/337, 414, 418, 415; 206/301, 18, 823, 566; 220/8, 252, 253

FIG. 3 is a top plan view thereof;

FIG. 4 is a rear view thereof;

FIG. 5 is a bottom plan view thereof;

FIG. 6 is a left side view thereof;

FIG. 7 is a perspective view thereof as in FIG. 1 except with the sliding case of my invention shown in an open condition; and,

FIG. 8 is a longitudinal view across lines 8—8 of FIG. 7 revealing the interior facing side of the rear side and which is identical/symmetric to the interior facing side of the front side.

[56] References Cited

U.S. PATENT DOCUMENTS

- D. 309,433 7/1990 Minuti D9/424
- D. 340,410 10/1993 Hirsch D9/418
- D. 355,359 2/1995 Herzog D9/422
- D. 373,725 9/1996 Weil D9/418 X
- 2,755,919 7/1956 Genshaw et al. 220/8
- 3,573,344 4/1971 Snyder 220/8 X
- 4,070,543 1/1978 Thompson et al. 220/8 X
- 5,358,134 10/1994 Ripley et al. 206/301 X

1 Claim, 5 Drawing Sheets

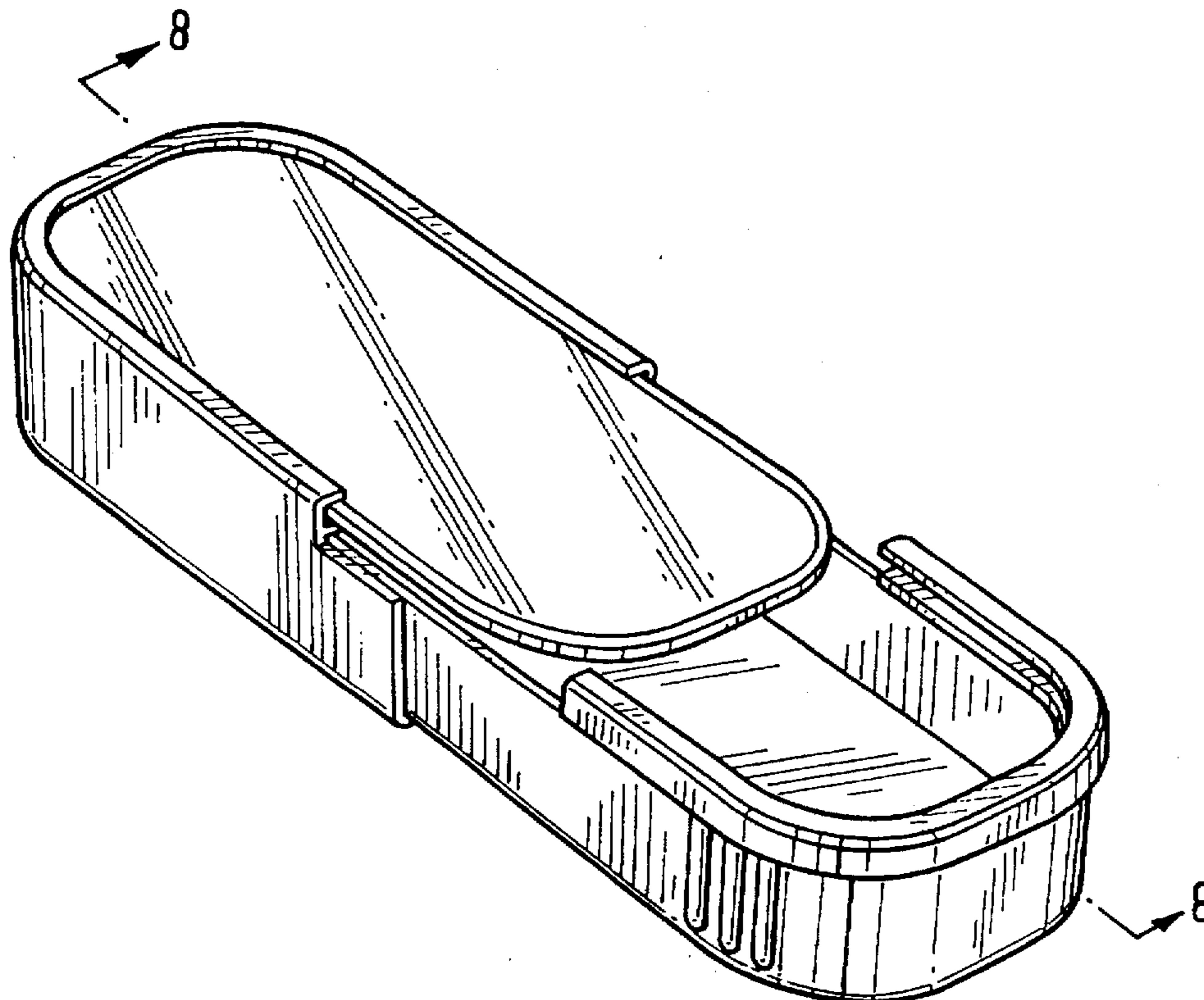


FIG. 1

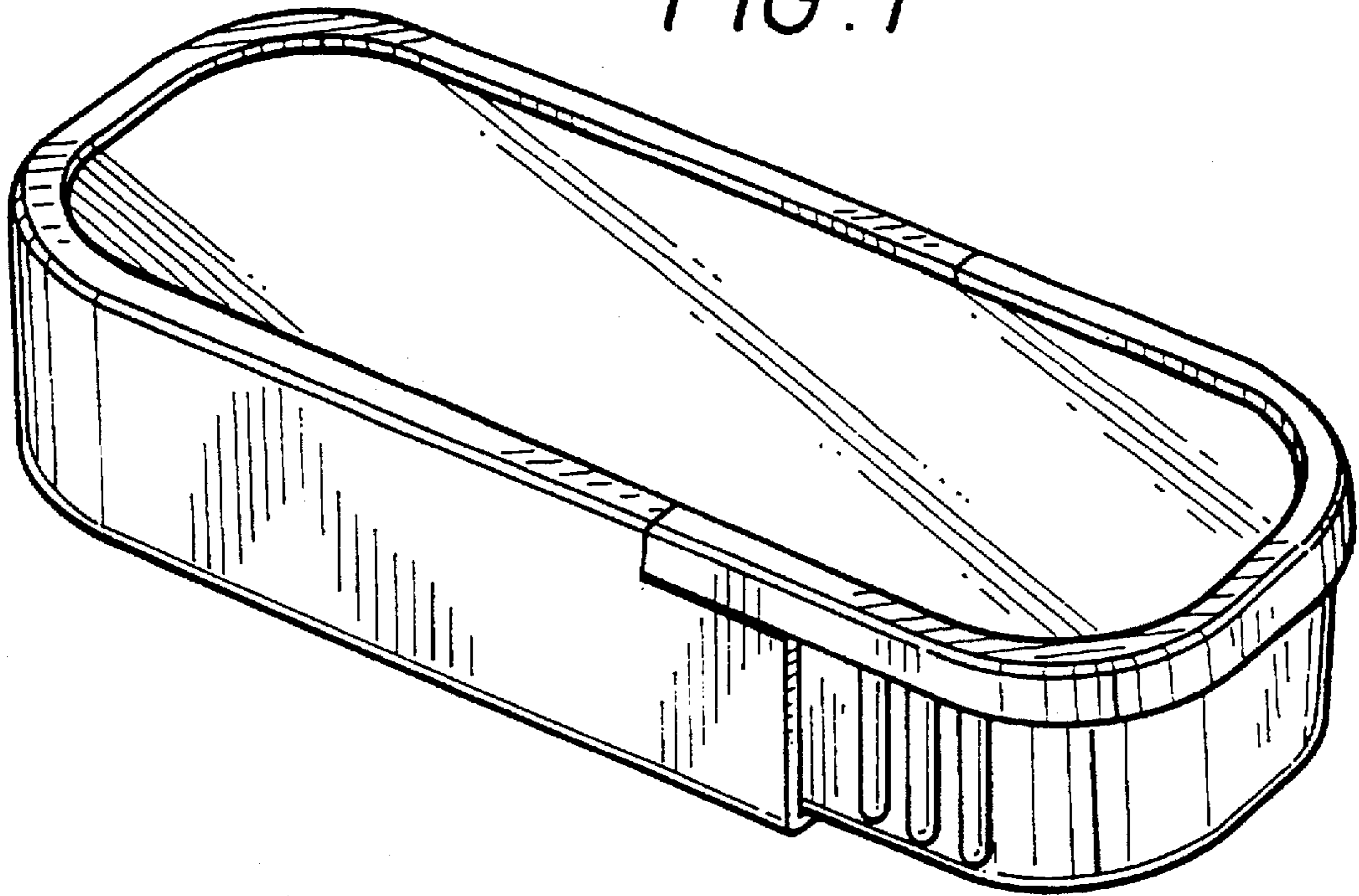


FIG. 2

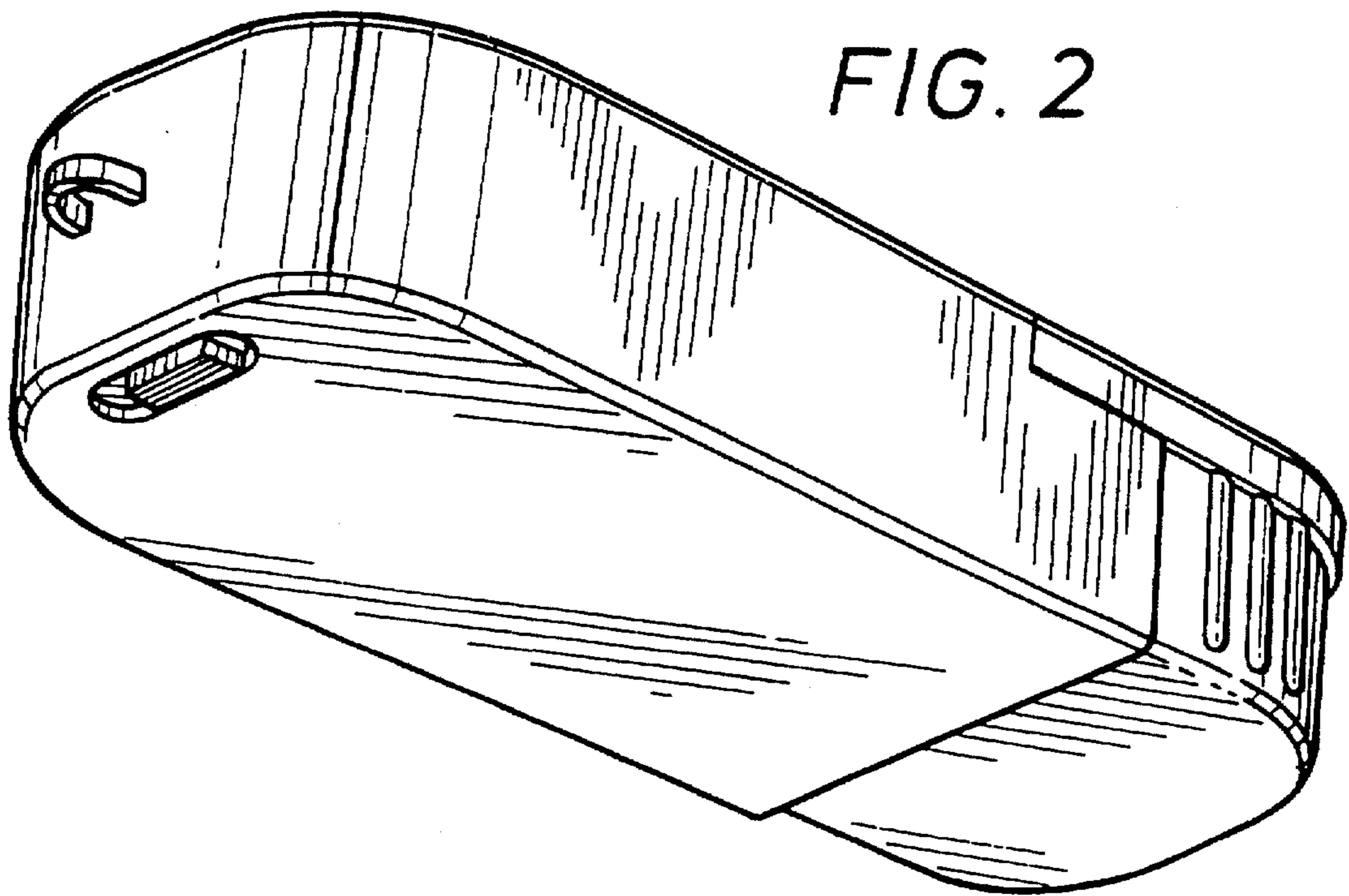


FIG. 3

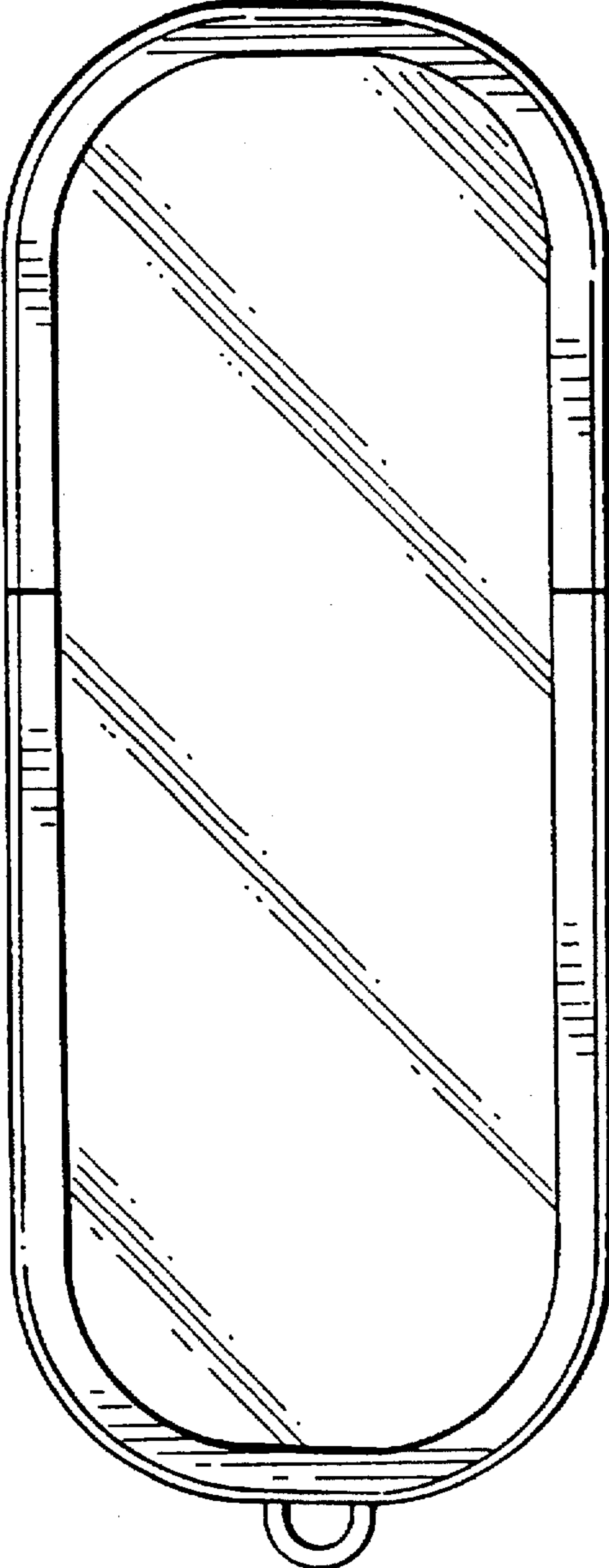
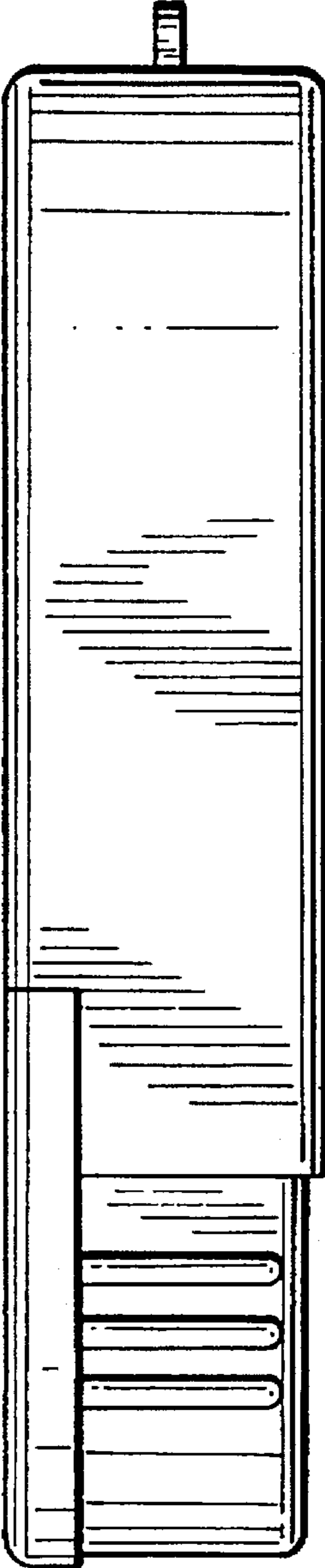


FIG. 4



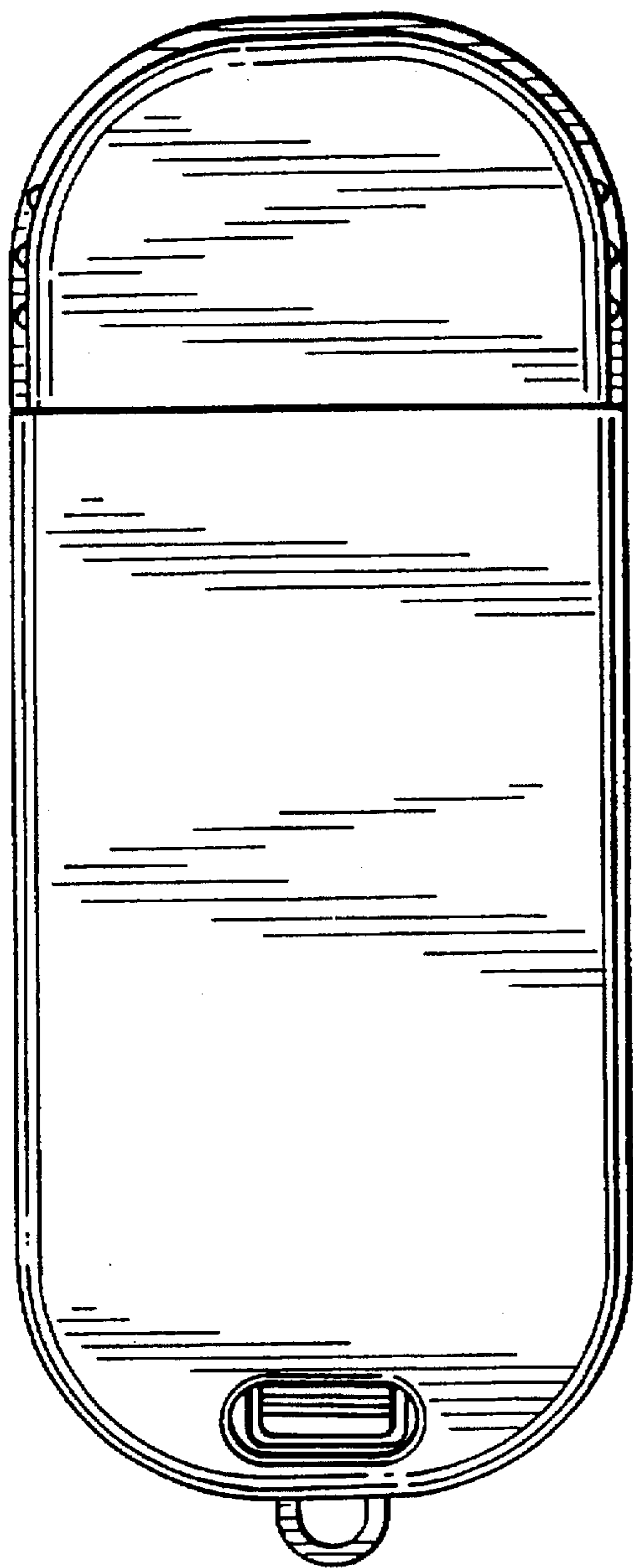


FIG. 5

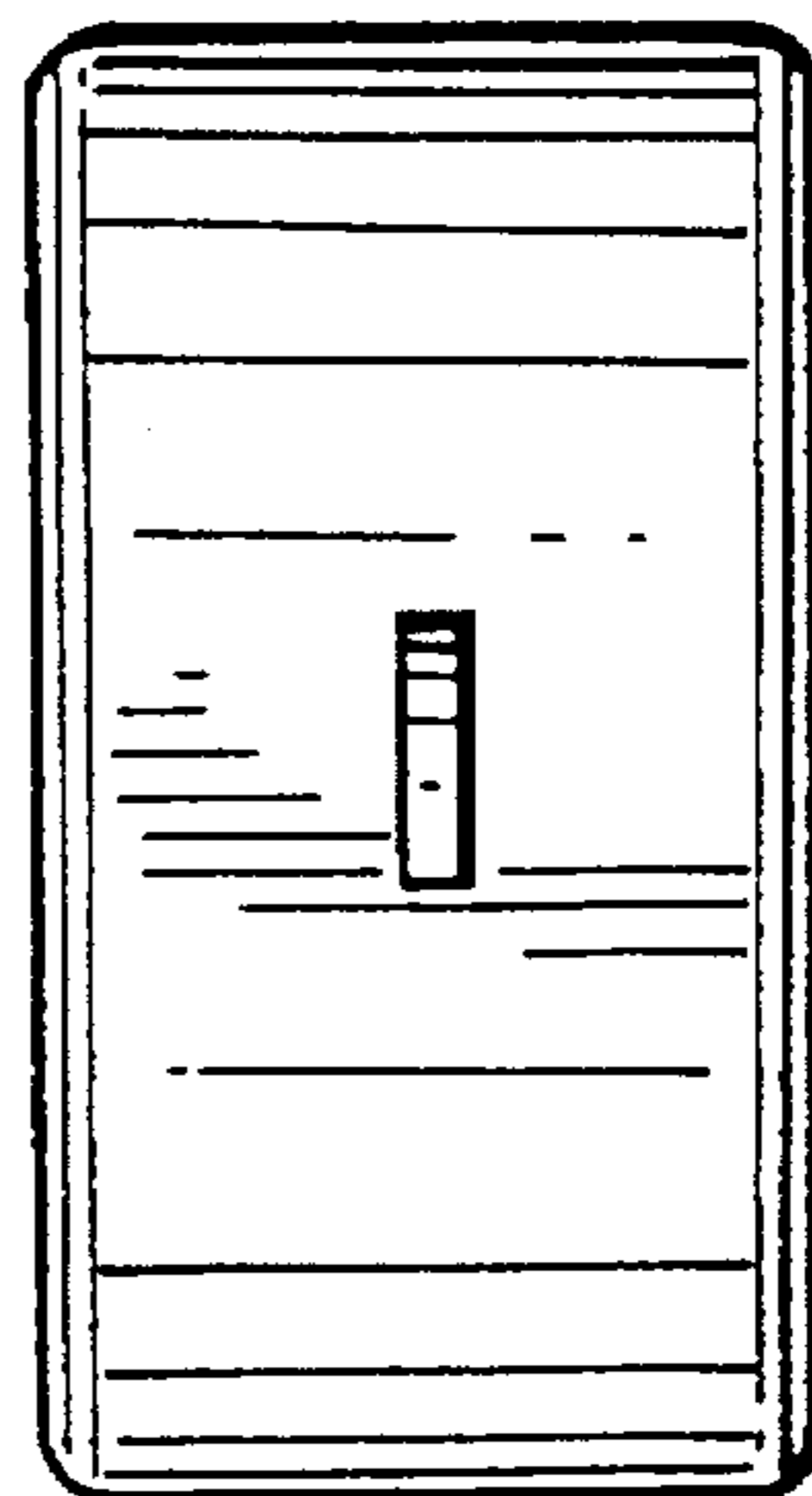


FIG. 6

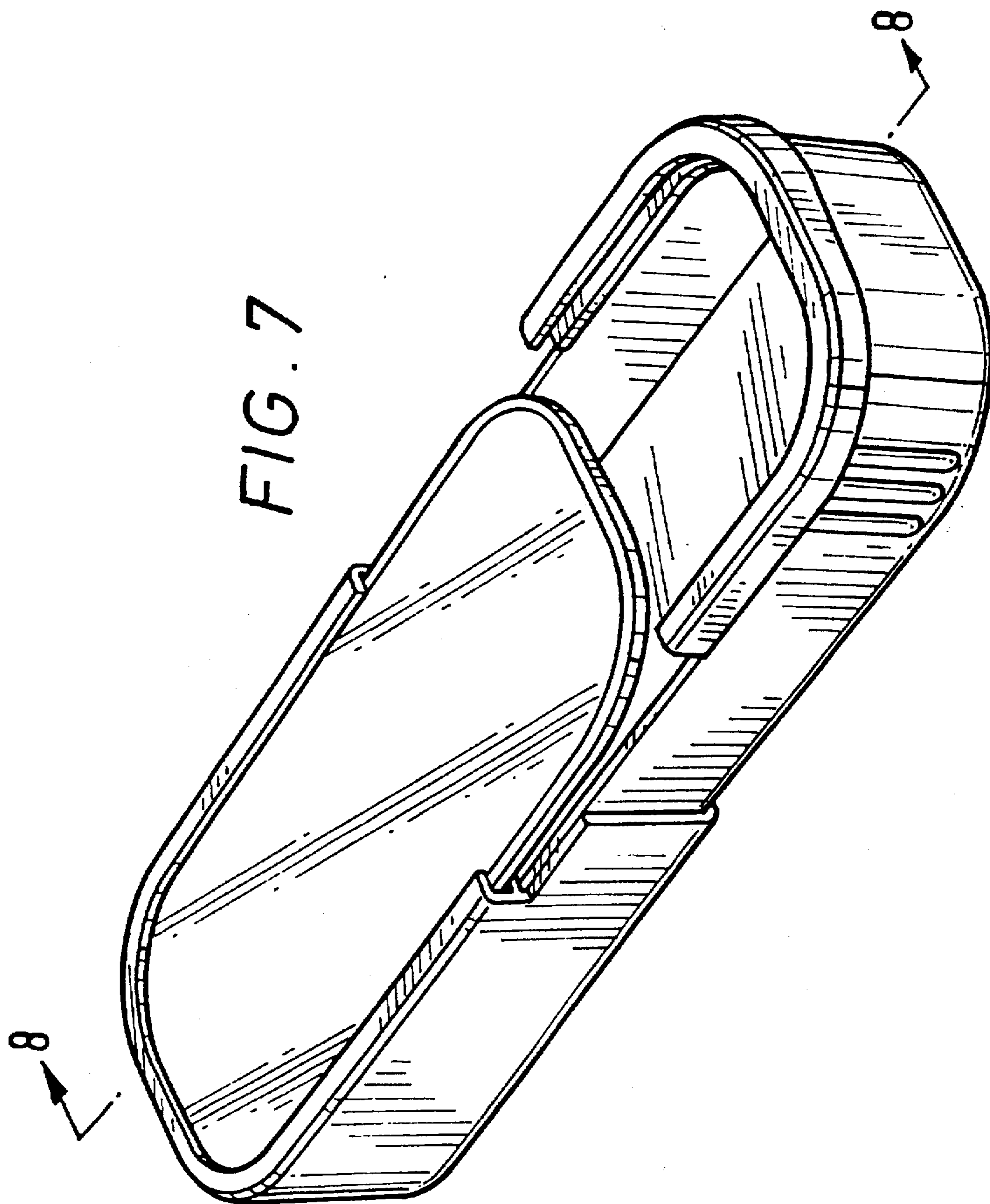


FIG. 8

