



US00D407963S

United States Patent [19]
Gretz et al.

[11] **Patent Number: Des. 407,963**

[45] **Date of Patent: **Apr. 13, 1999**

[54] **NON-METALLIC CABLE SUPPORT**
[75] **Inventors: Thomas J. Gretz, Clarks Summit; John Ofcharsky, Olyphant; Martin Frederick Delmore, Clarks Summit, all of Pa.**

D. 333,256 2/1993 Newcomer et al. D8/356
D. 334,134 3/1993 Newcomer et al. D8/356
D. 336,421 6/1993 Grubicy et al. D8/356

Primary Examiner—Holly Baynham

[73] **Assignee: Arlington Industries, Inc., Scranton, Pa.**

[57] **CLAIM**

The ornamental design for a non-metallic cable support, as shown.

[**] **Term: 14 Years**

DESCRIPTION

[21] **Appl. No.: 29/085,065**

FIG. 1 is a side view showing a preferred embodiment of the non-metallic cable support of our new design;

[22] **Filed: Mar. 11, 1998**

FIG. 2 is a frontal view of the preferred embodiment;

[51] **LOC (6) Cl. 08-05**

FIG. 3 is a side view of the preferred embodiment opposite the side view of FIG. 1;

[52] **U.S. Cl. D8/356**

FIG. 4 is a top view of the preferred embodiment; and,

[58] **Field of Search D8/356; 248/68.1, 248/74.1-74.4, 73**

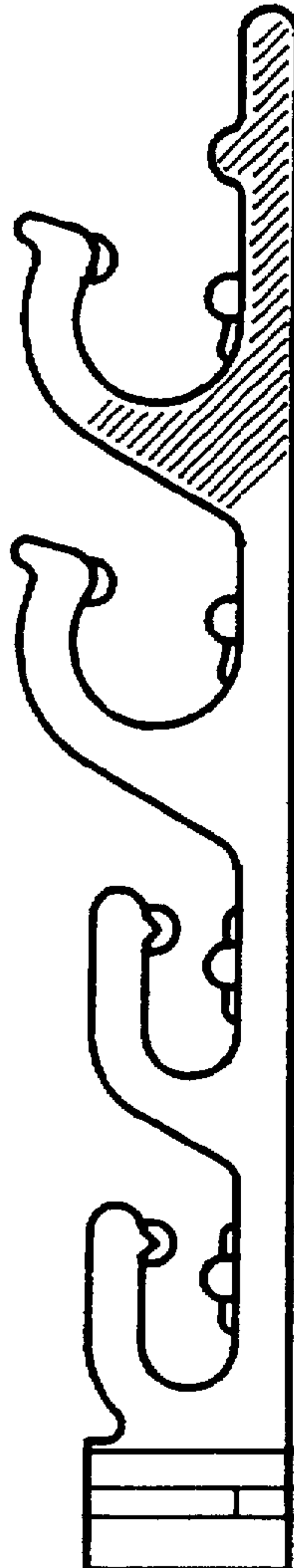
FIG. 5 is an environmental perspective view thereof with the broken line showing of a fragmented structure, nails and fragmented cable being for illustrative purposes only and forming no part of the claimed design.

[56] **References Cited**

U.S. PATENT DOCUMENTS

D. 328,024 7/1992 Grubicy et al. D8/356

1 Claim, 2 Drawing Sheets



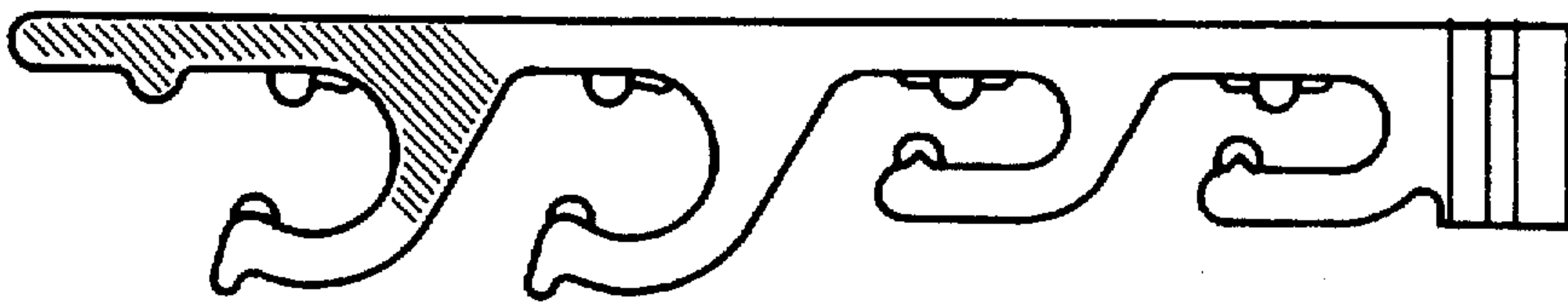


FIG. 1

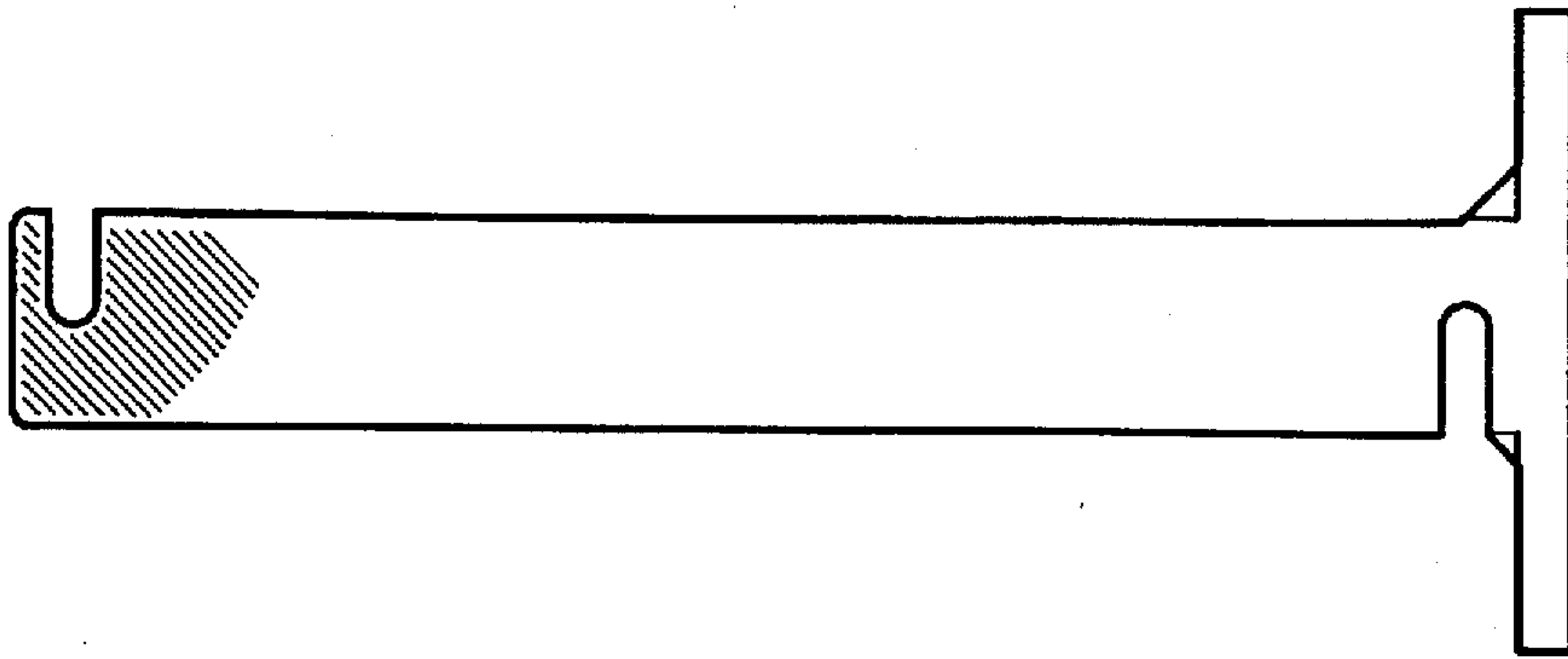


FIG. 2

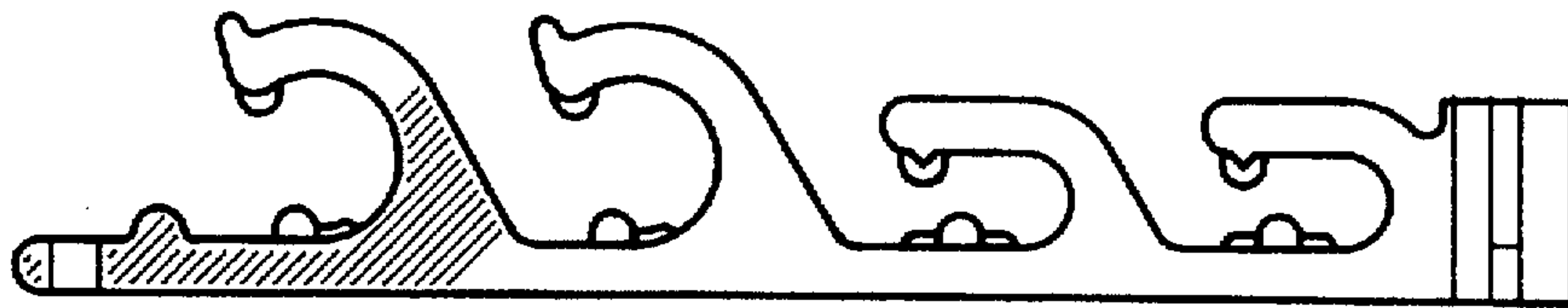


FIG. 3

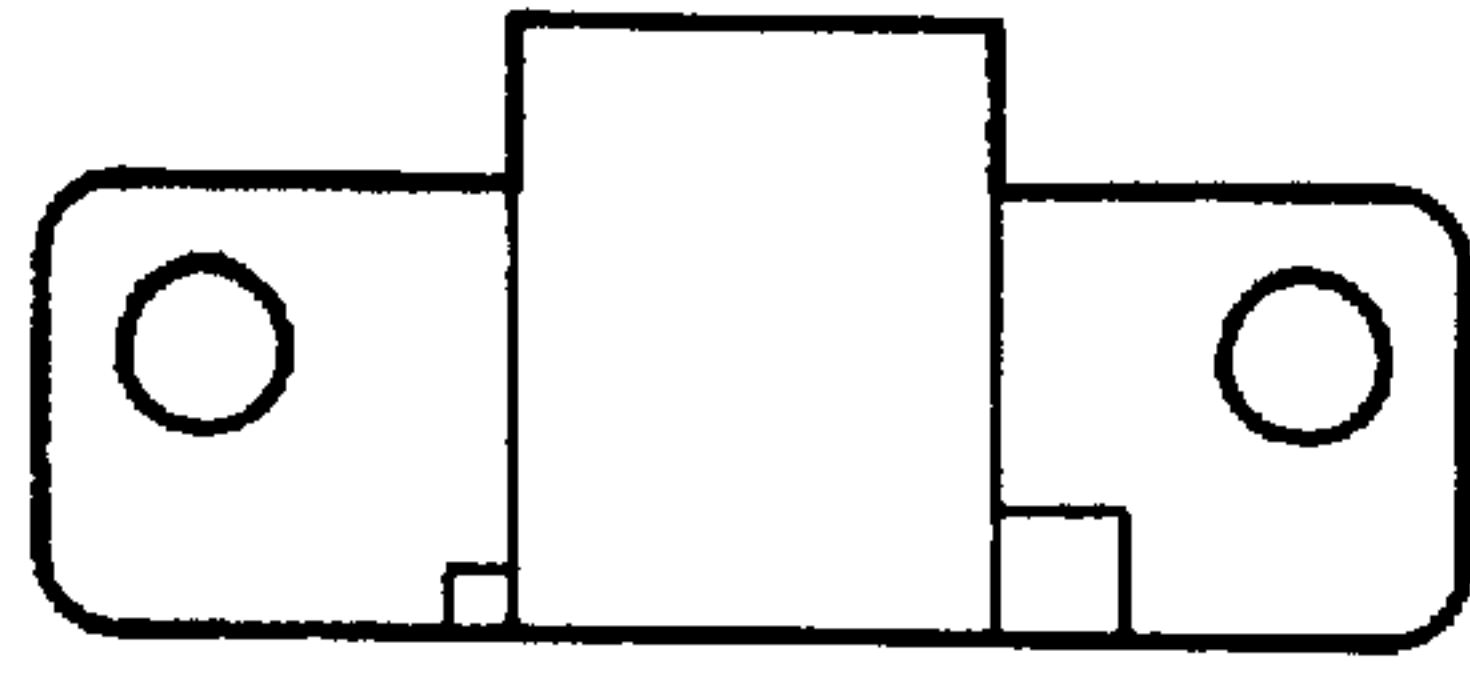


FIG. 4

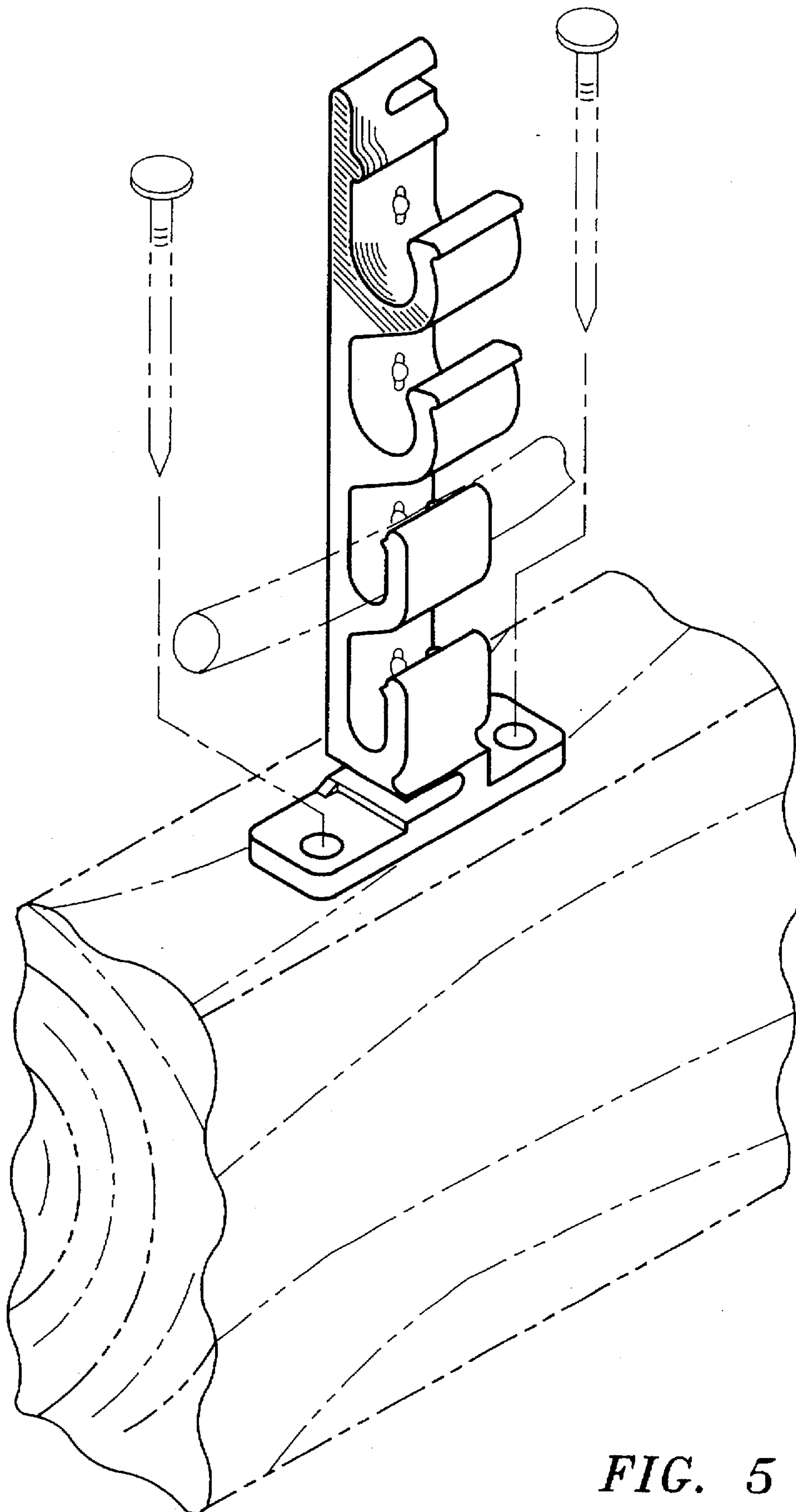


FIG. 5