



US00D407962S

**United States Patent** [19]  
**Conder**

[11] **Patent Number: Des. 407,962**

[45] **Date of Patent: \*\*Apr. 13, 1999**

[54] **PADLOCK**

5,230,231 7/1993 Liou ..... 70/38  
5,345,794 9/1994 Jenks ..... 70/31 X

[75] **Inventor: Robert M. Conder, Charlotte, N.C.**

[73] **Assignee: Marcon International, Inc., Charlotte, N.C., NC**

*Primary Examiner*—Brian N. Vinson  
*Attorney, Agent, or Firm*—Kennedy Covington Lobdell & Hickman, LLP

[\*\*] **Term: 14 Years**

[57] **CLAIM**

[21] **Appl. No.: 29/091,308**

The ornamental design for a padlock, as shown and described.

[22] **Filed: Jul. 27, 1998**

**DESCRIPTION**

[51] **LOC (6) Cl. .... 08-07**

[52] **U.S. Cl. .... D8/334**

[58] **Field of Search .... D8/334; 70/20, 70/31, 35, 38 R. 41**

FIG. 1 is a front perspective view of a padlock, showing my new design;

FIG. 2 is a rear perspective view thereof;

FIG. 3 is a front elevational view thereof;

FIG. 4 is a rear elevational view thereof;

FIG. 5 is a left side elevational view thereof;

FIG. 6 is a top plan view thereof; and,

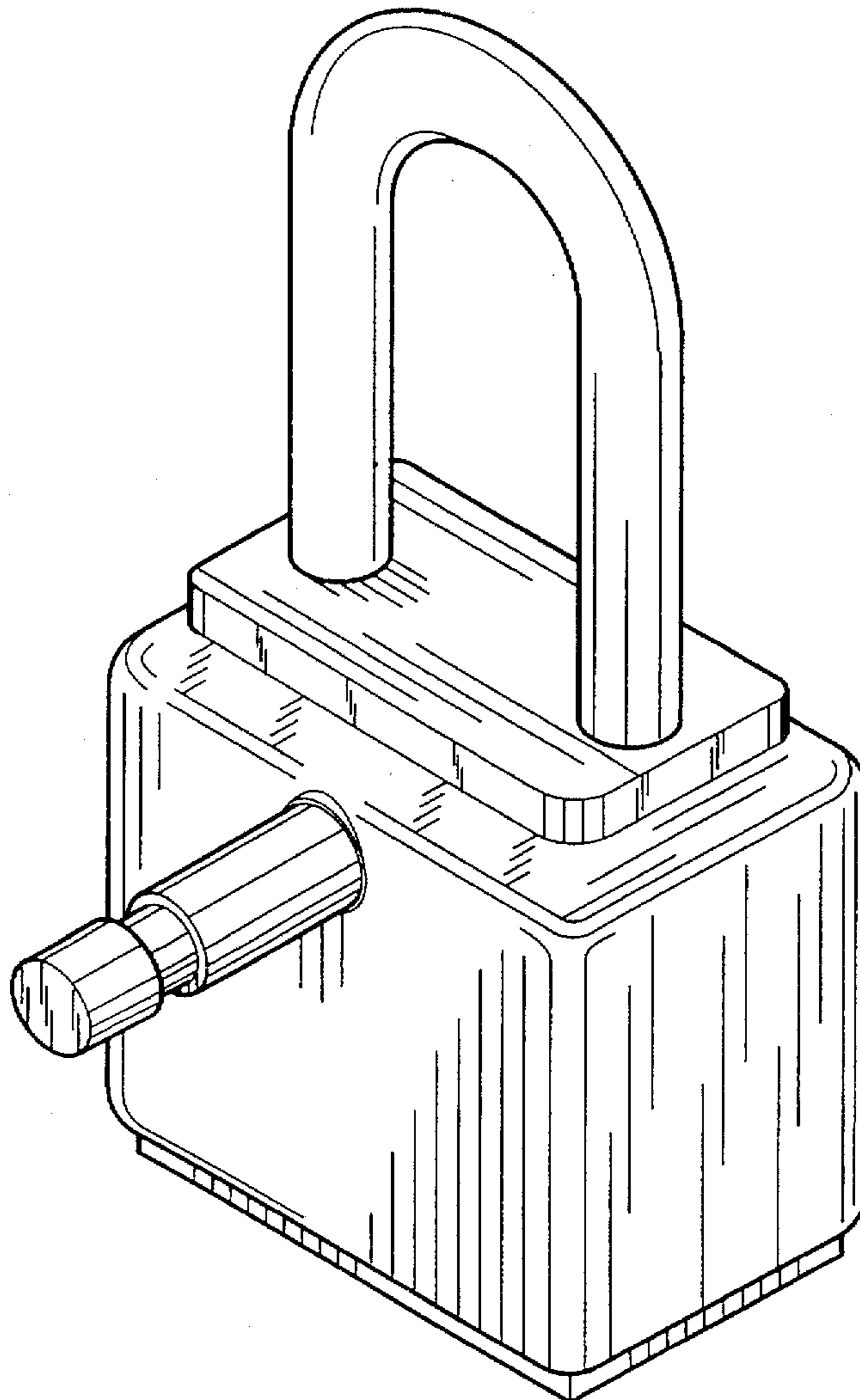
FIG. 7 is a bottom plan view thereof.

[56] **References Cited**

**U.S. PATENT DOCUMENTS**

D. 336,030 6/1993 Falk et al. .... D8/334  
D. 388,687 1/1998 Chen ..... D8/334  
5,009,087 4/1991 Long ..... 70/38

**1 Claim, 4 Drawing Sheets**



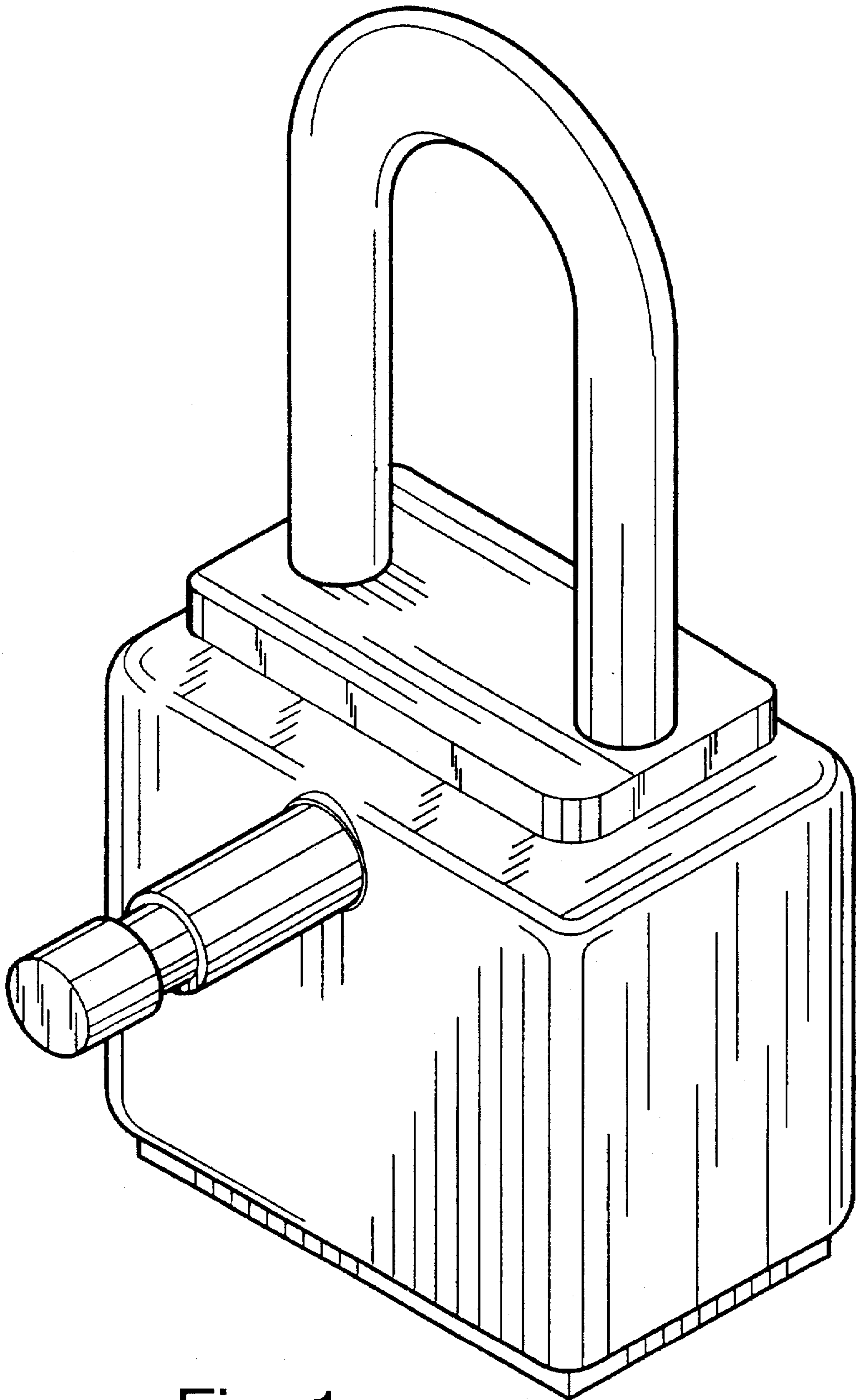


Fig. 1

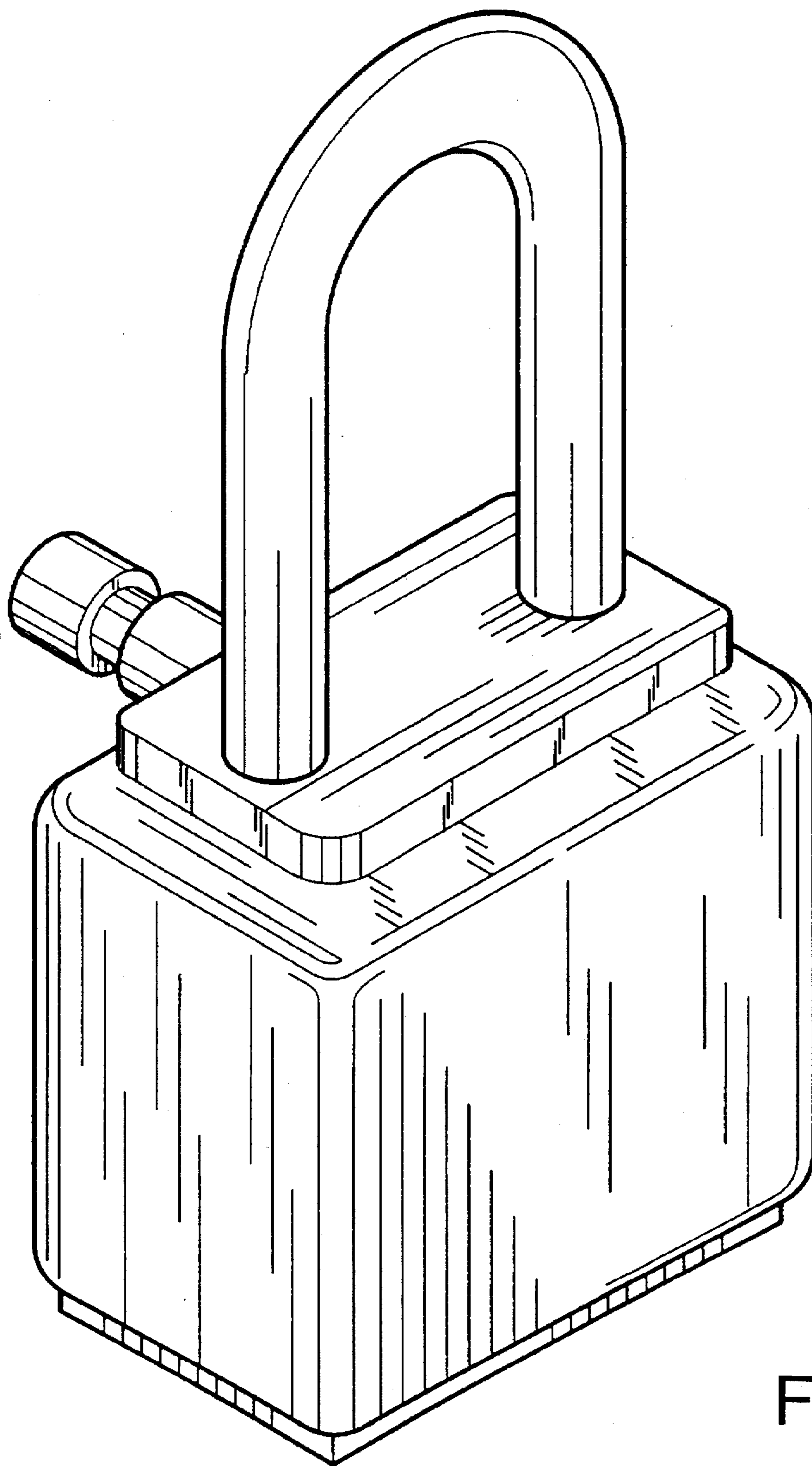


Fig. 2

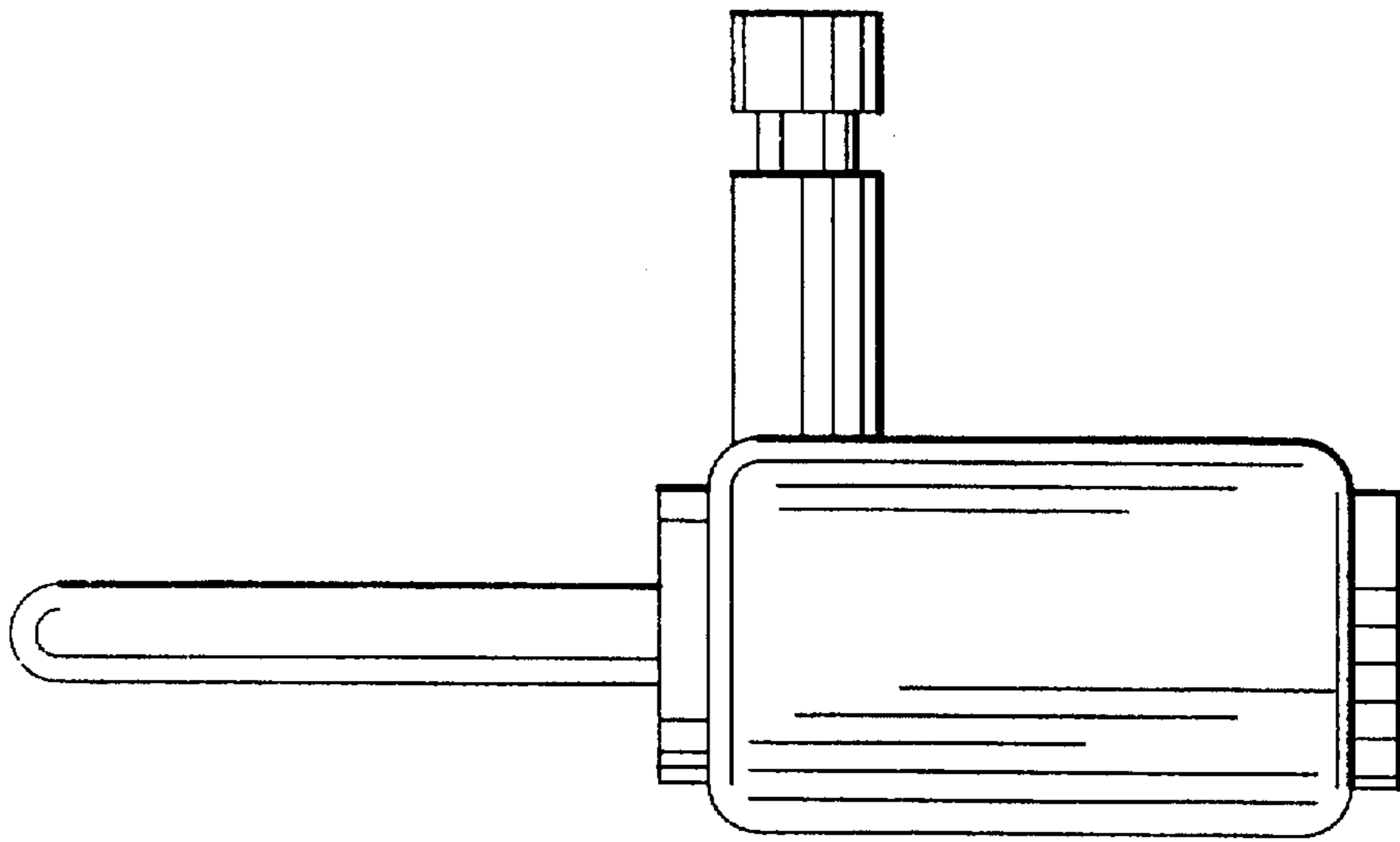


Fig. 3

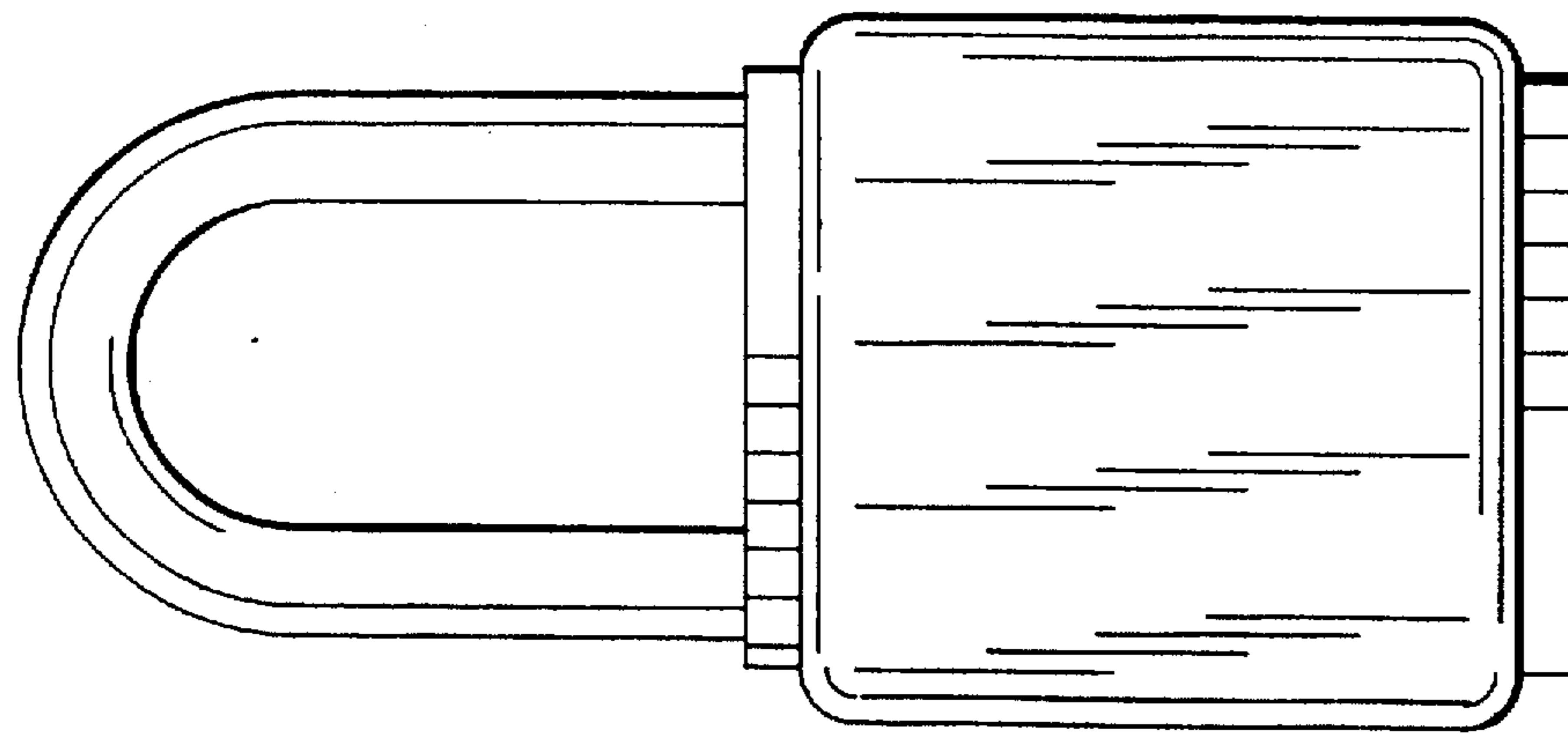


Fig. 4

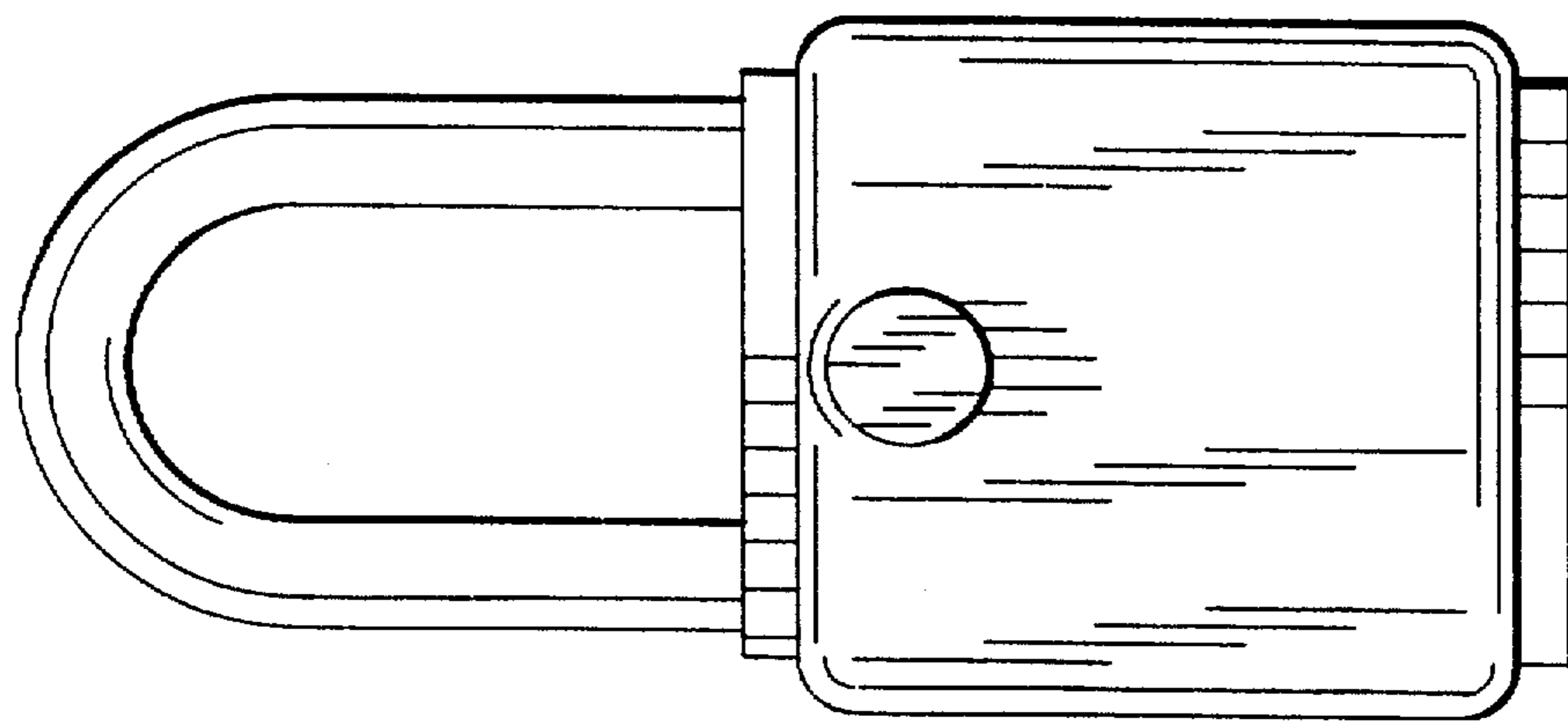


Fig. 5

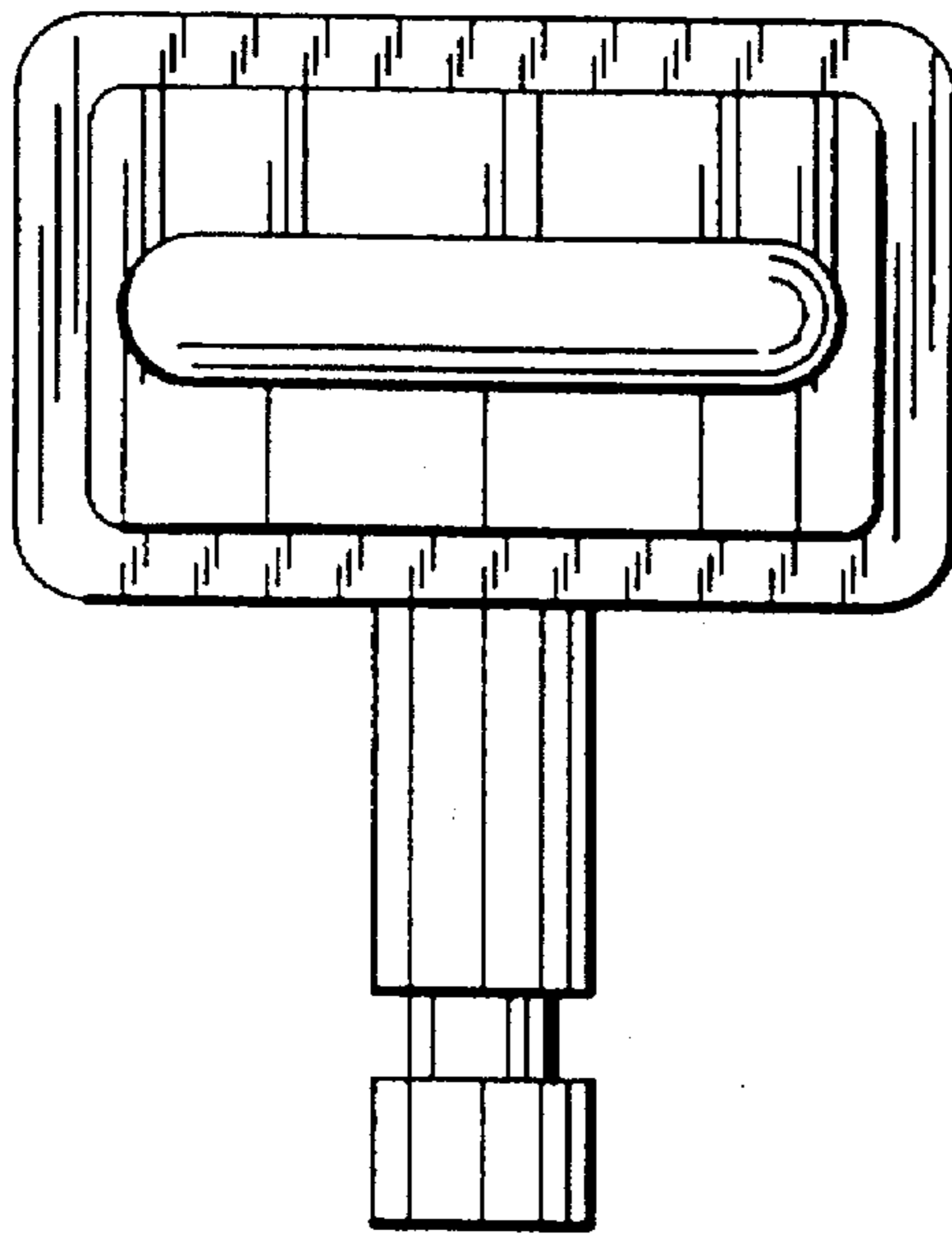


Fig. 6

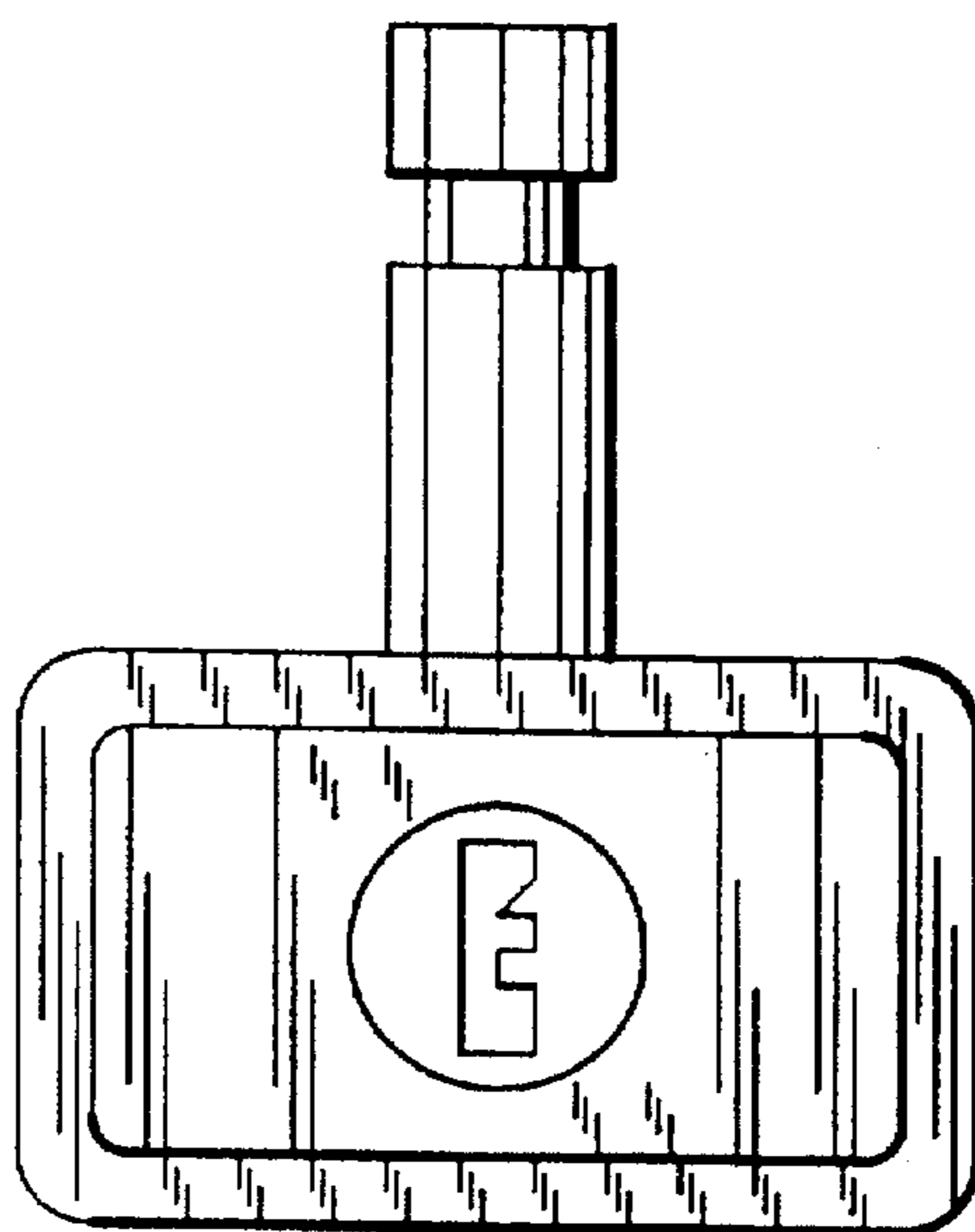


Fig. 7